



**OPERATING INSTRUCTIONS AND SAFETY
INFORMATION FOR BIOETHANOL FIREPLACES**



**models
ASOLO – TREVISO - VERONA**

www.bsvillage.com

WARNING:

DURING THE FIRST IGNITIONS, THE EMANATION OF ODORS CAN OCCURE/AP-PEAR DUE TO OVERHEATING OF THE COMPONENTS THAT CAN BE WASTE OR HAVE SCRAPS. ONCE RESIDUES AND PAINT HAVE BEEN STABILIZED, THE SMELL WILL DISAPPEAR.



DO NOT FILL FUEL INTO THE OPEN FLAME



DO NOT FILL FUEL INTO THE HOT BURNER



READ MANUAL BEFORE INSTALLATION
AND USE

Dear customer,

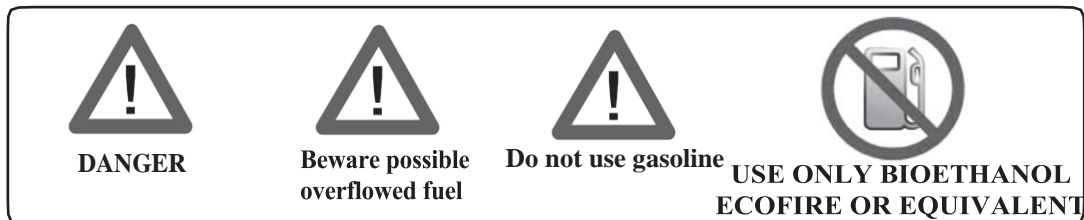
thanks for the trust guaranteed us by choosing our product. Our products are designed and manufactured in compliance with safety standards with quality materials and a deep experience in production processes.

In order to obtain the best performance, we suggest to read the instructions carefully. It is very important that this instruction book is kept safely for any future consultation. If the equipment would be sold or transferred to another person, make sure the book is delivered to the user, in order to be informed of the operation of the machine and its warnings.

SAFETY INSTRUCTIONS

The use of this fireplace is very simple, however, it is important to read this booklet entirely before you install and use for the first time the fireplace.

In this way, you get the best performance, avoid wrong behavior, use your fireplace safely and respect the environment.



The Ruby fireplace have designed entirely in Italy

DURING USE

- This fireplace must be used only by adults. People with disabilities can use the fireplace only if they have benefited, through the intermediary of a responsible person for their safety, supervision or instruction concerning the use of the equipment.
- Before any ignition check the fireplace, the customer is responsible for people accidents or for any damage due to do not observe these instructions.
- Make sure that the minors do not use the appliance.
- Modifying or merely trying to modify the characteristics of this product is very dangerous.
- Always keep this appliance clean.
- Avoid its placing close to curtains and other flammable objects.
- Do not insert objects inside or on the fireplace during or after use.
- Do not extinguish the flame with water or blowing on the flame.
- During filling up, take care to do not overfill bioethanol and in case any overspill shall be removed before lighting the appliance.
- Do not cover the fireplace during or just after use.
- Do not leave the fireplace unattended during use.
- Do not use the fireplace as a cooking appliance.
- The external parts of this fireplace become hot while it is operating and remain hot for a while even after it is switched off. Keep minors and pets out of reach until the equipment cools down.
- Always use liquid fuel pure bioethanol Ecofire or equivalent, do not use other fuels such as gasoline, always use liquid fuel pure bioethanol, do not use other fuels such as gasoline, use of an improper fuel may cause fire.
- Do not mix bioethanol fuel with fragrant aromas.
- Use of an improper fuel may cause of fire.
- Turn off the fireplace and wait until it is thoroughly cooled before refilling the tank.
- Ventilate the room for few minutes every hour when the fireplace is in use. Never use the fireplace without having correctly ventilated the room.
- Use the fireplace in a places where there is a natural exchange of air guaranteed by free openings that make an air exchange of 0.50 v/h. Minimum Volume of the room place is 45 mc.
- Do not use the fireplace in a basement level.
- Turn off the fireplace and make sure that the flame is extinguished before falling asleep or go out.
- Keep sprays and volatile or flammable liquids such as gasoline, diesel fuel, solvents, etc, away from the fireplace.
- The fireplace can release combustion residues in the room. Use the fireplace only in well-ventilated rooms.
- Before acting on the adjustment you should wait for the fireplace becomes hot.

INSTALLATION AND MAINTENANCE

- This appliance is intended for a domestic or similar use.
- **Place the fireplace on a stable walls, not subject to shocks, however take all necessary measures to prevent the fall, or accidentally tipping the fireplace.**

- Keep a minimum distance on each side, in front of and above of 50 cm and do not anchor it on the flammable materials
- Do not use in places hermetically closed.
- Do not use in dusty places.
- Whatever type of technical action or repairs should be performed by qualified personnel.
- After unpacking the appliance make sure that the product is not damaged. In case of damage, contact your dealer before starting up the appliance.
- Take care to avoid bioethanol spillage outside the tank, always dry the wet parts before turning on the fireplace.
- The Manufacturer declines all responsibility if the safety rules are not complied with.
- The appliance can release combustion residues in the room. Use the fireplace only in well-ventilated rooms.

PACKAGE

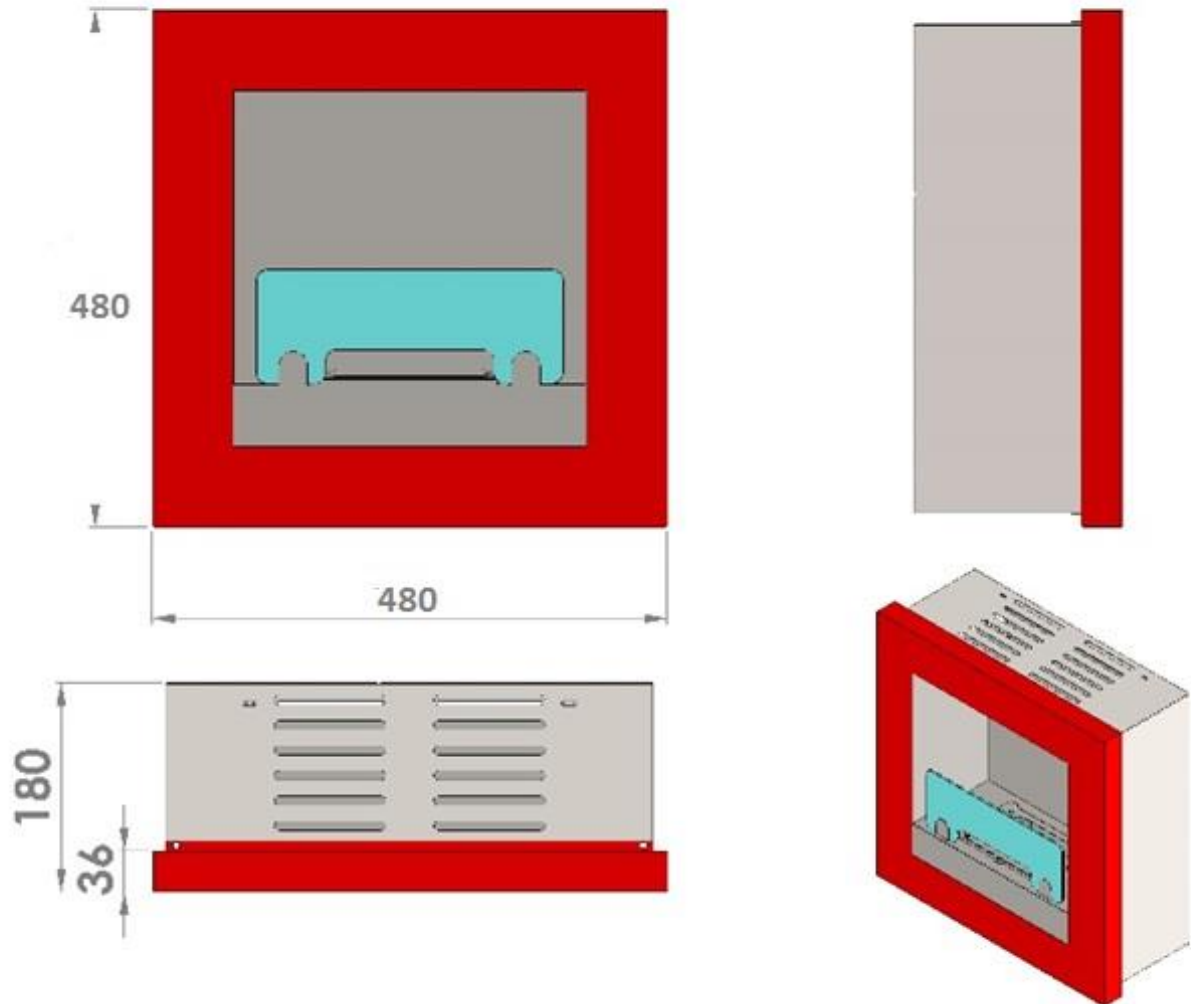
- All the packing materials are environmentally friendly and they can be recycled. Please help in preserving the environment, by using the proper channels of separate collection of rubbish.

PRODUCTS DISUSED

- Products dismissed or not longer usable are not worthless wastes. Through the environmentally safe disposal, different materials used in the production of your appliance can be recovered.
- Keep informed about current disposal options from your dealer or from your Local Council.

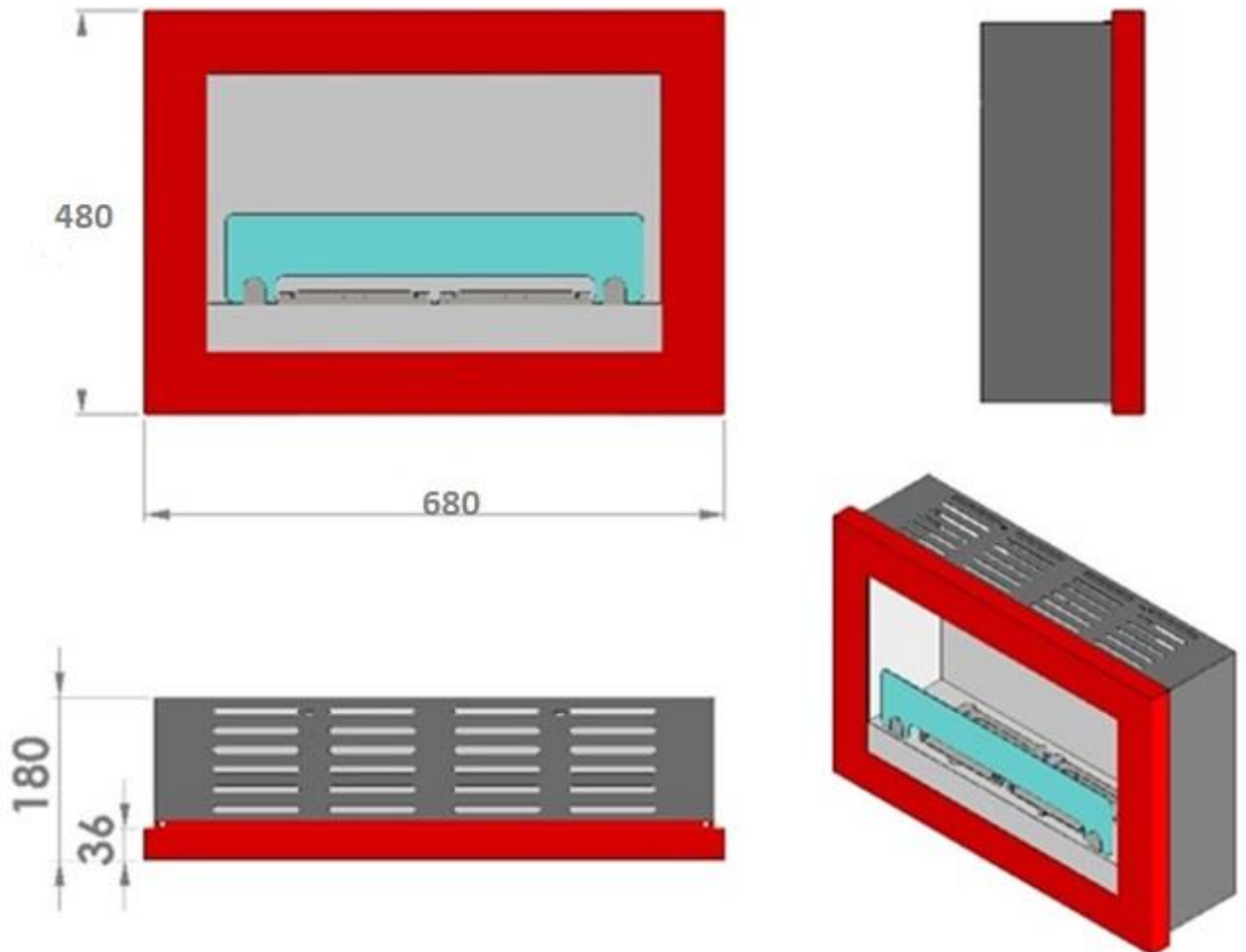
TECHNICAL FEATURES

ASOLO FIREPLACE



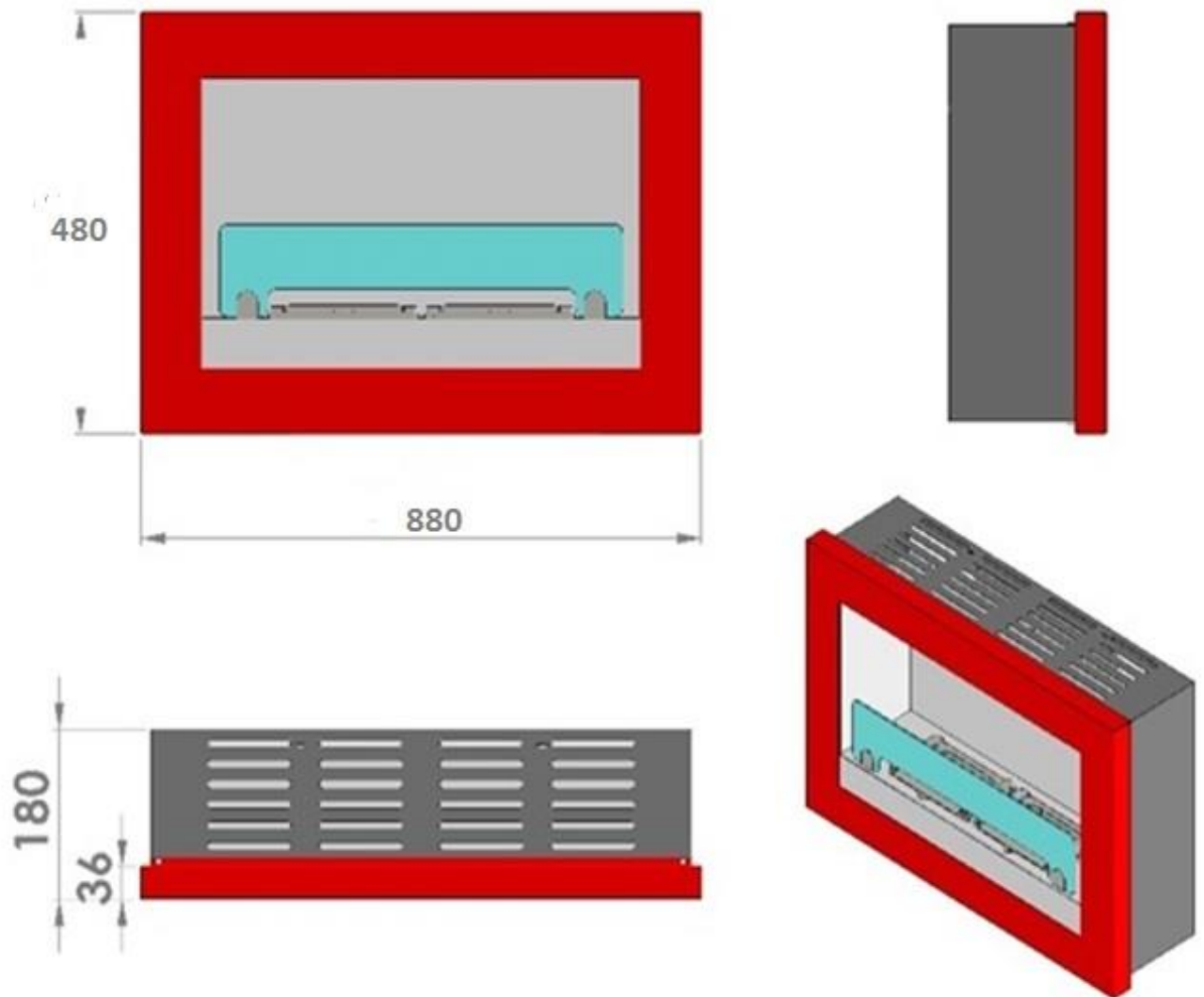
WIDTH	mm	480
DEPTH	mm	180
HEIGHT	mm	480
BIOETHANOL TANK CAPACITY	liters	0.6
NET WEIGHT	kg	9
GROSS WEIGHT	kg	11
FUEL	BIOETHANOL ECOFIRE OR EQUIVALENT	
NOMINAL POWER	kW	1.5
MAX RANGE	Hours	3
LIGHTER WP18	INCLUDED	
WARRANTY	2 YEARS	

TREVISO FIREPLACE



WIDTH	mm	680
DEPTH	mm	180
HEIGHT	mm	480
BIOETHANOL TANK CAPACITY	liters	1
NET WEIGHT	kg	11
GROSS WEIGHT	kg	13
FUEL	BIOETHANOL ECOFIRE OR EQUIVALENT	
NOMINAL POWER	kW	2.5
MAX RANGE	hours	3
LIGHTER WP18	INCLUDED	
WARRANTY	2 YEARS	

VERONA FIREPLACE



WIDTH	mm	880
DEPTH	mm	180
HEIGHT	mm	480
BIOETHANOL TANK CAPACITY	liters	1.6
NET WEIGHT	kg	13
GROSS WEIGHT	kg	15
FUEL	BIOETHANOL ECOFIRE OR EQUIVALENT	
NOMINAL POWER	kW	3
MAX RANGE	hours	4
LIGHTER WP18	INCLUDED	
WARRANTY	2 YEARS	

INSTALLATION

- Open the carton being careful do not damage the appliance with sharp tools
- Be sure to remove all packing materials before use.
- Make sure that all elements of the fireplace are intact before using.
- Make sure the burner is properly inserted in the fireplace.
- After unpacking the appliance, place it in a secure and stable place that has been awarded, making sure that there is enough space for the preliminaries, also check to remove all the accessories inside: lighter, customer booklet.
- Fill up with bioethanol Ecofire or equivalent and not exceed the maximum limit indicated on the burner.
- The bioethanol that accidentally falls on hardwood floors, if not dried immediately, could leave dull spots.
- Remove the bioethanol bin after refueling/refilling from the fireplace before the turning on.
- Read and take out the pictograms sticker above the burner.
- Light the fire in the burner using a long-lighter as included (example: type WP18)
- The flame may be weak at the beginning. Wait 15 minutes to leave time for the burner to reach the optimum operating temperature and the flame will stabilize at its normal height.
- If the fireplace does not light on immediately, repeat the ignition process.



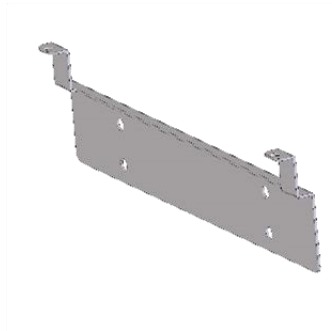
WARNING:

! THE FIREPLACE MUST BE HANGED TO A WALL WITH THE FEATURES ADAPTED TO BEAR THE WEIGHT IT.

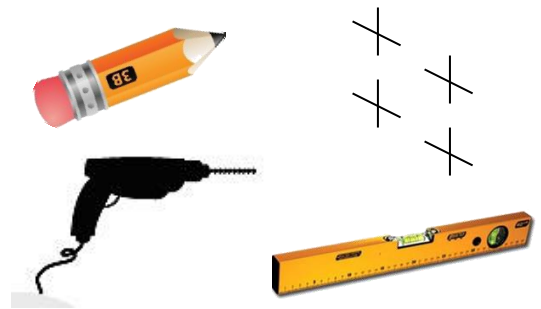
! DO NOT INSTALL IT ON WALLS COVERED WITH WALLPAPER OR FLAMMABLE MATERIALS.

! DURING THE INSTALLATION BE SURE TO USE SCREWS ANCHORS SUITABLE FOR THE TYPE OF WALL.

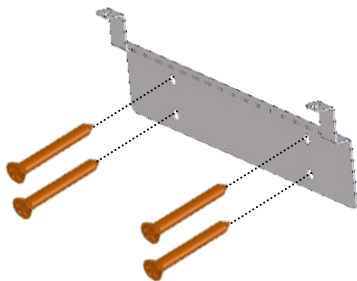
! DO NOT INSTALL IT INSIDE WALLS, NICHES, HOLE FLUSH.



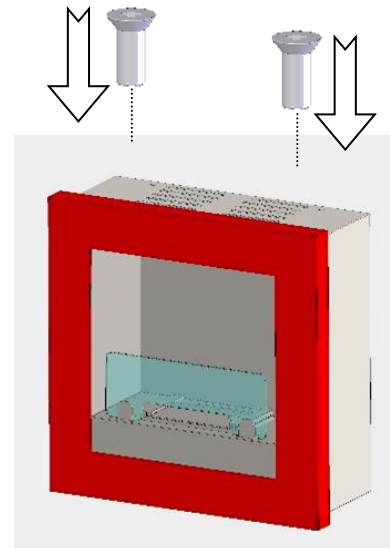
- Take the support bracket fixed on the back of fireplace;



- Mark the 4 holes positions with the aid support bracket; and proceed with drilling and inserting appropriate dowels to the type of wall;



- Install the bracket with appropriate screws, check to put it in level!!



- Complete the installation by fixing screws at the top of the bracket to make more stable the installation and make sure that the burner be positioned in a right way, with the open flame in face of the wall

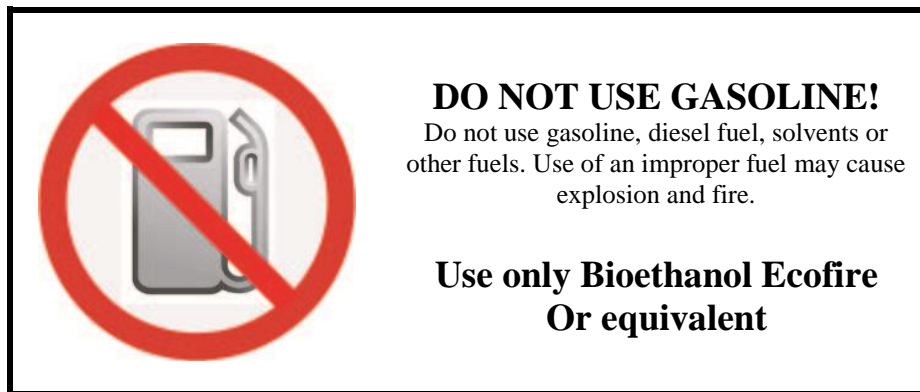
The fireplace do not requires chimney, anyway the room must be ventilated for a few minutes each hour of use.

The fireplace must be installed in compliance with the following safety conditions:

-keep a minimum distance on the sides and in front of 50 cm on the back by an average of flammable materials;

This fireplace cannot be used in place tightly closed, or too small as campers, trailers, passenger cars, boats...

FUEL TO USED



It is imperative to use bioethanol fuel, Ecofire or equivalent.

The fuel should be stored in original container tightly closed.

Fuel should be stored away from direct sunlight and other sources of heat, flame or sparks.

It is imperative to store it in a other room and anyway keep at least 5 meters from the fireplace.

Anyway it must comply with all safety instructions in the technical details of the fuel..

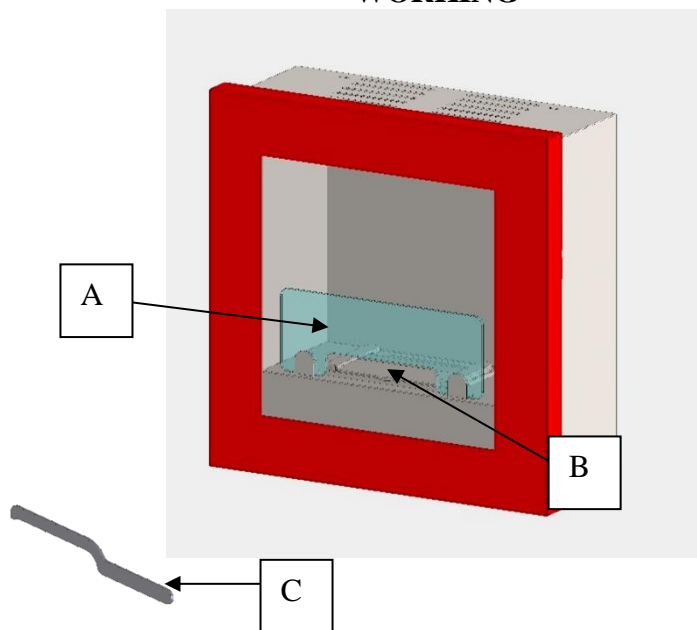
For the proper functioning of the fireplace, we recommend the use of BIOETHANOL ECOFIRE.

Warning! Bioethanol fuel can be difficult to switch when kept at very low temperatures.

WARNING: The fiber internal at the burner will absorb bioethanol fuel ensuring greater security to the fireplace. Pour the bioethanol into the tank without making it overflow.

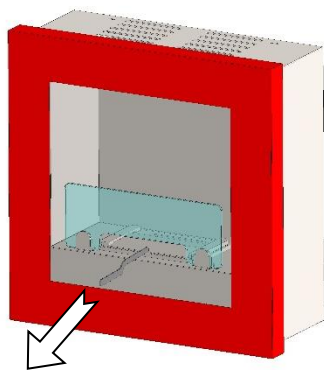
Not groped to remove the fiber. For any intervention on the burner, please refer to qualified service personnel only.

WORKING

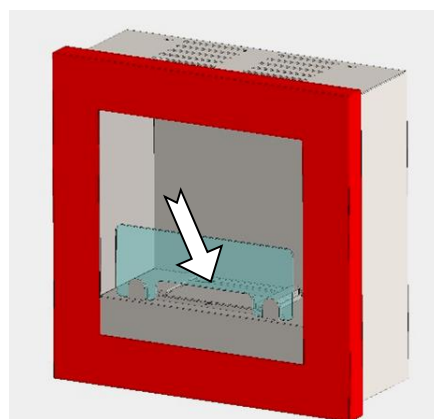


- A- GLASS
- B- BURNER
- C- REGULATION ROD

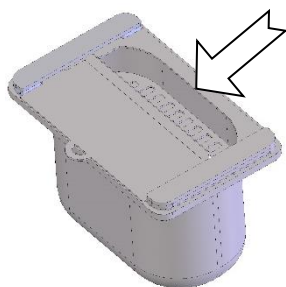
The fireplace exclusively works with bioethanol. The burning is regulated by the rod (C). The bioethanol feeding take places as follows:



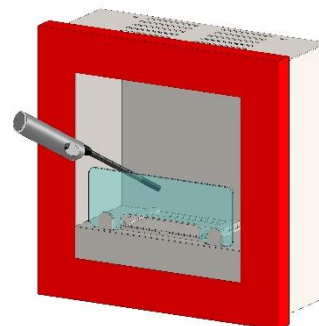
- **Read and take out the pictograms sticker above the burner.**
Pull the regulation rod to open the fuel tank;



- Pour the bioethanol into the burner without making it overflow;



- In the burner there are triangles indicating the maximum fill line;

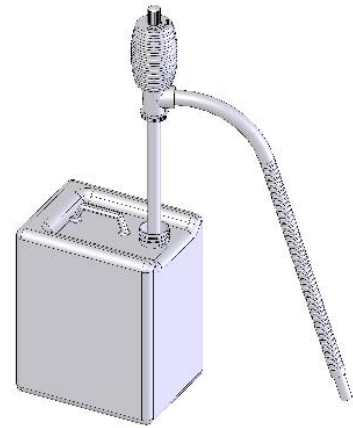


- Insert the lighter tube into the hole and set fire to the bioethanol;

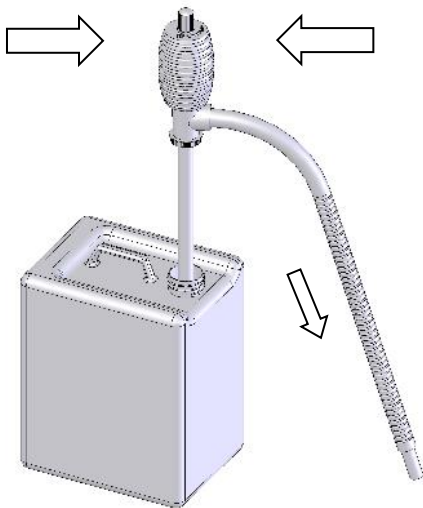
USE OF THE SIPHON PUMP



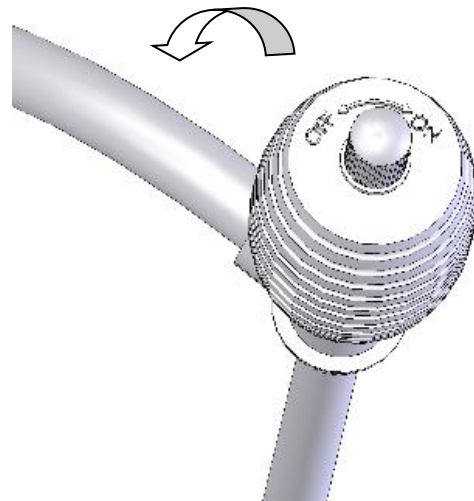
- Turn clockwise (ON position) the knob at the top.



- Dip the rigid pipe inside the bioethanol tank and the flexible pipe inside the fireplace tank.



- Exercise various pressures on the siphon bulb until the bioethanol starts coming out.



- Finish filling the fireplace tank, turn the knob off, turn it anticlockwise. This way you empty the siphon pump.

**CAUTION:**

- ! Do not use the fireplace in the basement.
- ! Do not install the fireplace inside the wall.
- ! Light the fire with lighters or matches only long-barreled as included (WP 18) avoid placing your hands directly above the fuel to ignite it.

TURNING OFF THE FIREPLACE

Caution: Never turn off/extinguish the flame using water or blowing on it!

To turn off the fireplace sufficiently slide inward the regulation rod until the flame is extinguished. Do not light again the fireplace right after turning it off. Wait until it cools down.

Always ensure that the flame is turned off/extinguished before leaving or staying asleep.

CLEANING AND MAINTANCE OF THE FIREPLACE

The burner should be periodically cleaned from any traces of soot during the season of the fireplace use (completely empty the tank if stove will not be used for a long period of time (eg summer).

Always keep clean, even all the external parts of the fireplace (use only a soft cloth dampened with warm water). Let the fuel burn completely, wait for the stove to cool, pull out the drawer and remove the tank.

After cleaning, put the tank in place.

Caution: Never use chemicals or abrasive sponges because the fireplace surfaces could be damaged. The manufacturer will not be responsible for damages resulting from improper use of the fireplace or wrong/or no maintenance.

CAUTION:

- Do not touch the fireplace during operation. let it cool down completely.
- Always close the tank of bioethanol Ecofire before storing it.
- Keep pets and minors away from the fuel/combustible.
- The burner should not be exposed to heat sources such as bright sunlight or home heating.
- Do not leave any flammable material near the fireplace. Maintain a safe distance from any curtain or window.
- Implement all precautions in order to avoid the accidental fall of flammable objects above/on the fireplace.
- Do not smoke while handling fuel/bio-ethanol.
- Ensure the ventilation of the room where the fireplace is installed/placed.
- Ensure that ventilation does not interfere with the flame of the fireplace.
- Be careful when filling operations, do not spill bioethanol outside the burner. RISK OF FIRE!
- Do not refuel/refill the burner before it has completely cooled. Risk of fire!

- Do not refuel/refill during operation. Always follow the instructions for correct supply.
- Hot surfaces, do not touch the burner during operation and immediately after use!
- Do not refuel/refill during operation!
- The external parts of this fireplace becomes hot while it is operating and remain hot for a while even after it is switched off. Keep minors and pets out of reach until the equipment cools down.
- Do not store flammable materials near the fireplace.
- Use the special included accessories to adjust /turn off the flame.

GUIDE TO SOLVE SMALL PROBLEMS

The fireplace will not start:

- Verify that the lighter work properly, the bioethanol level is too low and lighter not get to fire.
- Check the fuel level.
- Fuel is not suitable. Use only Bioethanol Ecofire or equivalent.

Smoke comes out:

- Fuel is not suitable, or extraneous flammable material presence inside the burner or in the fireplace. Immediately turn off the fireplace and contact a service center

Flame extinguishes:

- Bio-ethanol is not enough, wait until the fireplace has cooled down, and proceed to fill to the correct level of bio-ethanol.
- The regulator control flame is excessively closed.

Flame spreads outside the tank:

- Overfilling of the tank, the liquid is leaking, turn off the fireplace with regulator slider and allow remaining flames to exhaust and make sure that the flames can not propagate surrounding.
Wait for the fireplace to cool down and check it if there is overflowed fuel.

The protection glasses become black:

- It is normal, because the yellow flame touch the glass especially when we use on the external places or under the wind.
Wait until the fireplace become cool, clean the glass with a specific glass cleaner.
Do not clean the glasses if is still hot, could be cause skinburn or glass breakage.

The burner become black:

- It is normal, could happen because the heat and the flame touch the metal. Wait until the fireplace become cool and clean the soot with a soft dampened cloth.

GUARANTEE

Warranty period is 24 months from date of purchase and extended to all parties.

It expires if the fireplace is improperly used or tampered by unauthorized personnel.

All defects in materials and workmanship are repaired free of charge (parts and labor) with the only charge of the exit fee.

Expressly reject any claim or demand compensation.

This warranty is not valid if repairs or replacements are not performed by authorized personnel or if not-original parts are fitted on.

Components in the opinion of the service center are considered to be defective will be replaced under warranty. Warranty is not applied to parts damaged during delivery. 24 months warranty applies only for domestic use, commercial use is only valid for 12 months. Fireplace or spare parts delivery costs are always charged to the buyer.

IN CASE OF DAMAGE AND/OR MALFUNCTION OF THE APPLIANCE, PLEASE REFER TO QUALIFIED SERVICE STAFF ONLY.

Date and characteristics indicated herein do not bind the manufacturer, who reserves the right to make changes to its products at any time. The manufacturer does not assume any responsibility for damage to persons or property resulting from failure to comply with the rules provided in this manual.