



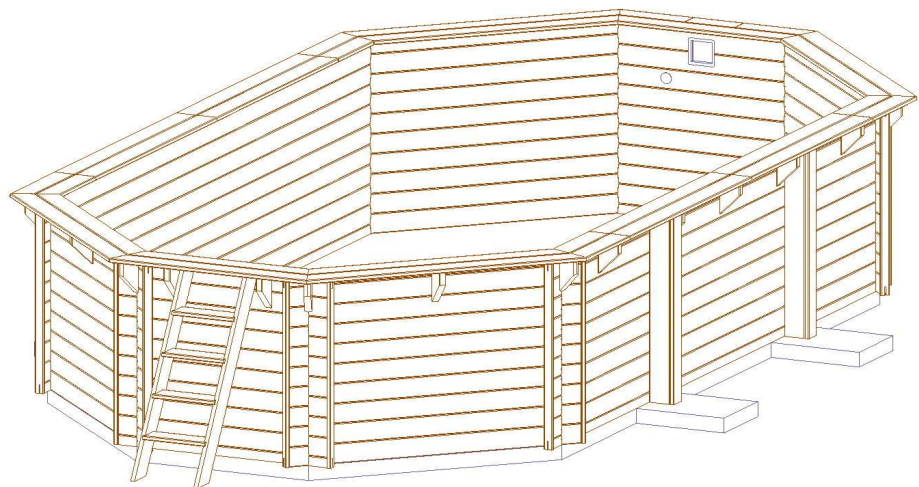
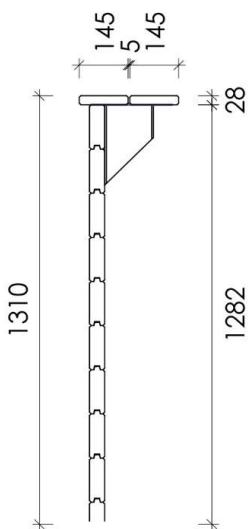
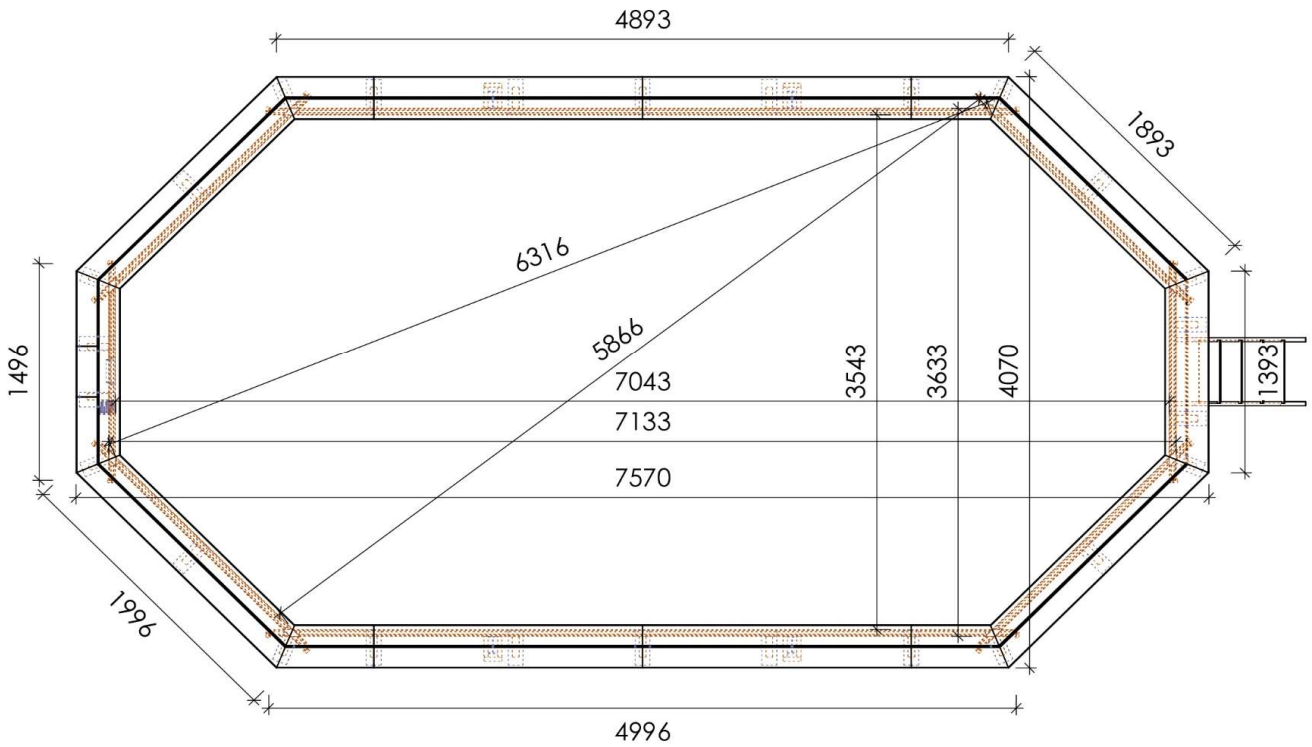
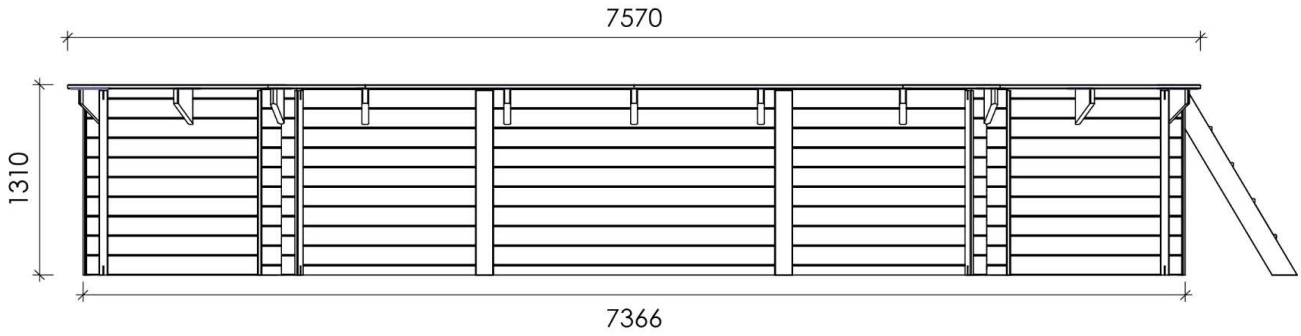
**BSVillage**  
PISCINE - WELLNESS - OUTDOOR

MANUALE di MONTAGGIO  
**Piscina in Legno**  
**EcoWood 757**






[www.bsvillage.com](http://www.bsvillage.com)






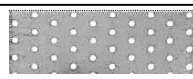

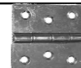
# BAS45-3 407x757cm h131cm 44(+/-1)mm



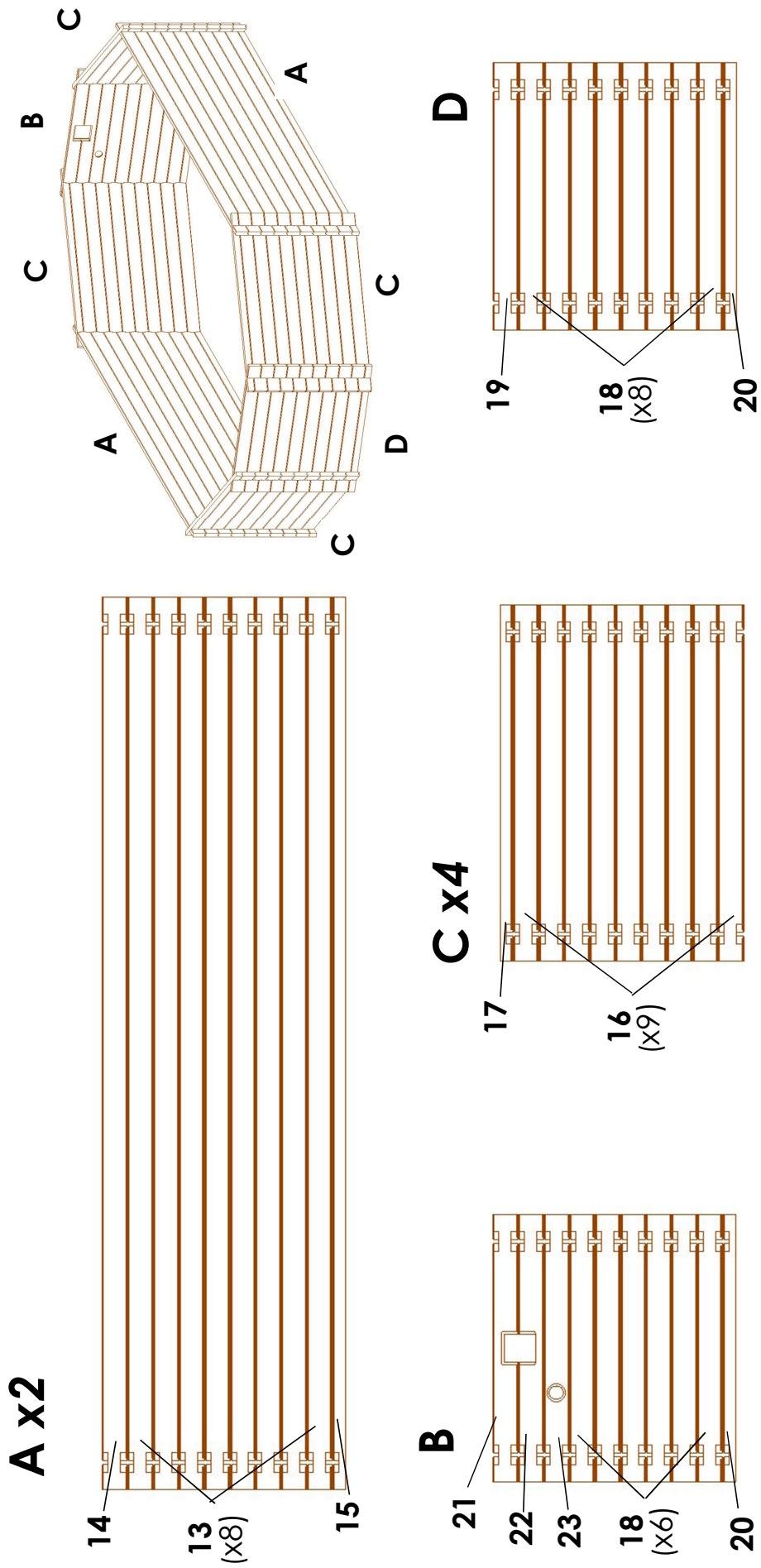
## BAS45-3 407x757cm h131cm

Nr	Element	Size			pcs	A	B
		d	h	L			
1		28	145	1795	8		
2		28	145	650	2		
3		28	145	588	2		
4		28	145	650	2		
5		28	145	588	2		
6		28	145	1269	2		
7		28	145	1393	1		
8		28	145	1893	4		
9		28	145	1769	4		
10		28	145	517	1		
11		28	145	517	1		
12		28	145	350	1		
13		44	145	4996	16		
14		44	135	4996	2		
15		44	78	4996	2		
16		44	145	1996	36		
17		44	67	1996	4		
18		44	145	1496	14		
19		44	135	1496	1		
20		44	78	1496	2		
21		44	135	1496	1		
22		44	145	1496	1		
23		44	145	1496	1		
24		28	145	1544	1		
25		28	145	1544	1		
26		28	145	440	4		
27		45	145	245	18		
28		45	145	245	8		
29		28	58	1270	16		
30		28	145	1270	8		
31		28	120	1270	4		

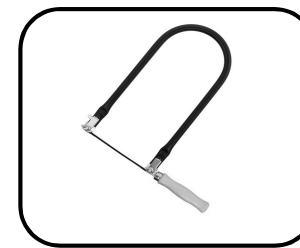
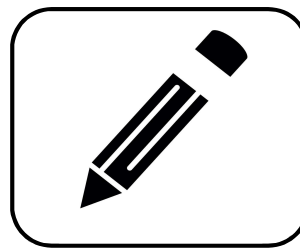
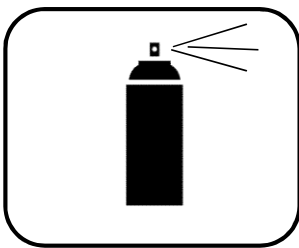
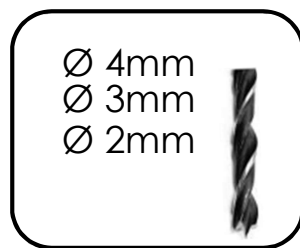
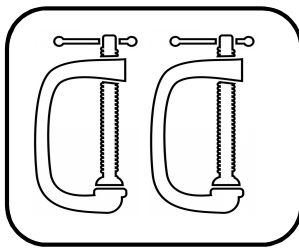
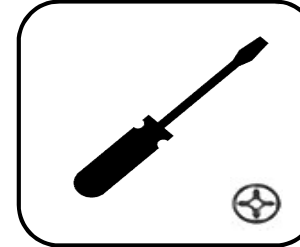
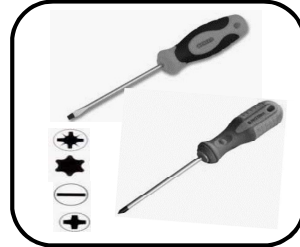
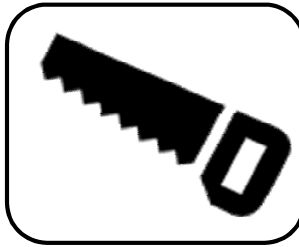
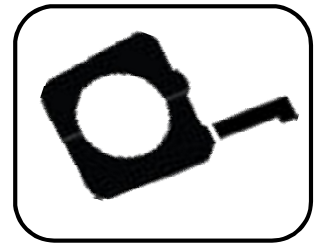
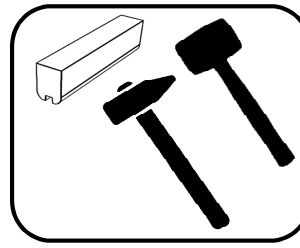
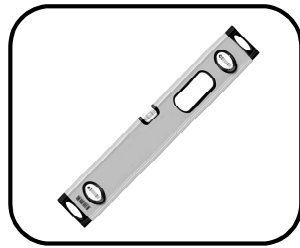
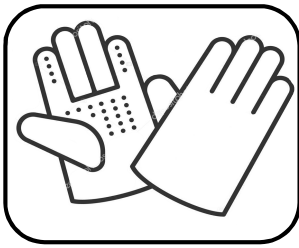
32		58	120	1700	<b>4</b>		
33		10	10	500	<b>4</b>		
34		44	145	150	<b>1</b>		

Nr	Element	Size	pcs	A	B
A		3,0x25	<b>12</b>		
B		3,5x25	<b>324</b>		
C		5x80	<b>32</b>		
D		4,5x60	<b>86</b>		
E		5x100	<b>88</b>		
F		3x100x240	<b>26</b>		
G			<b>2</b>		
H		40x40	<b>2</b>		

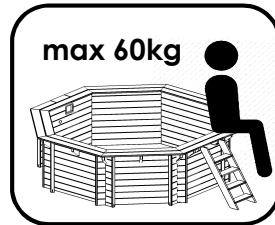
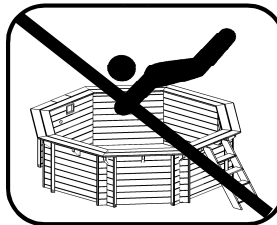
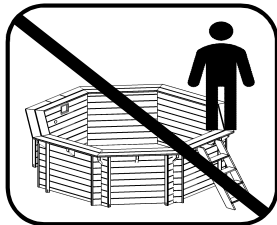
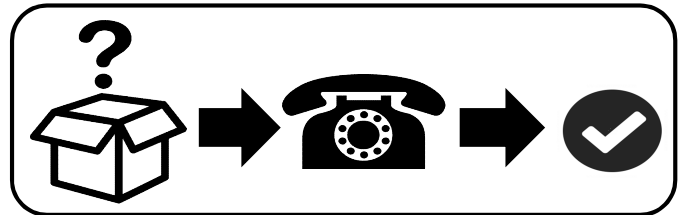
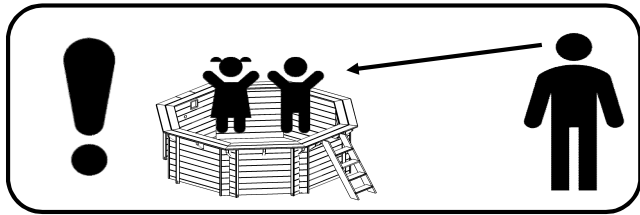
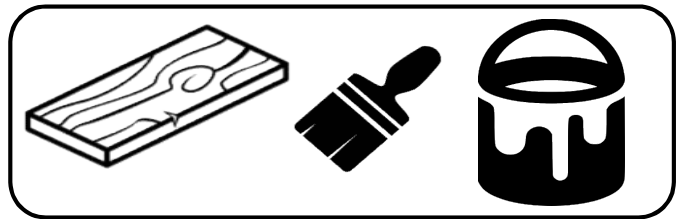
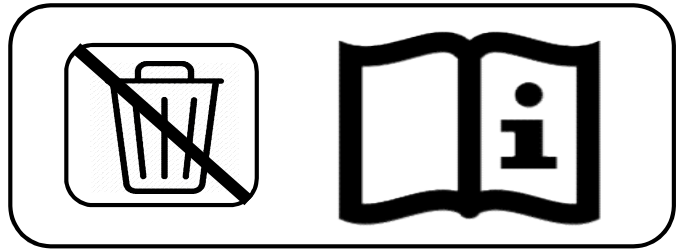
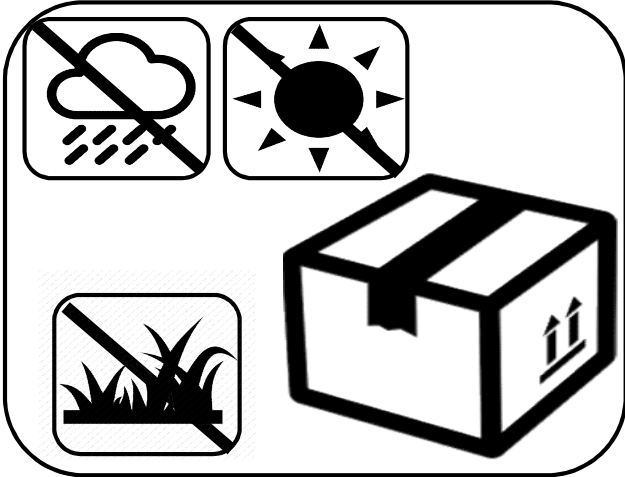
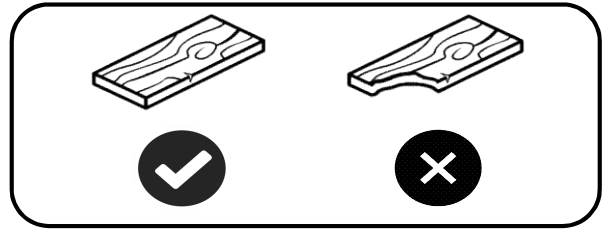
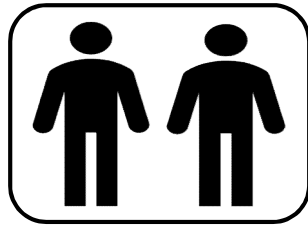


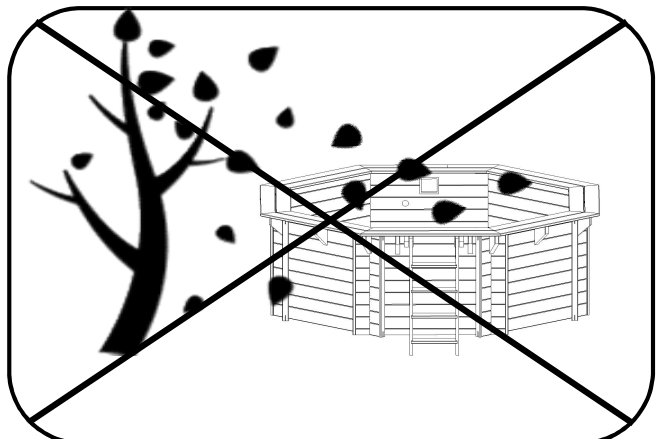
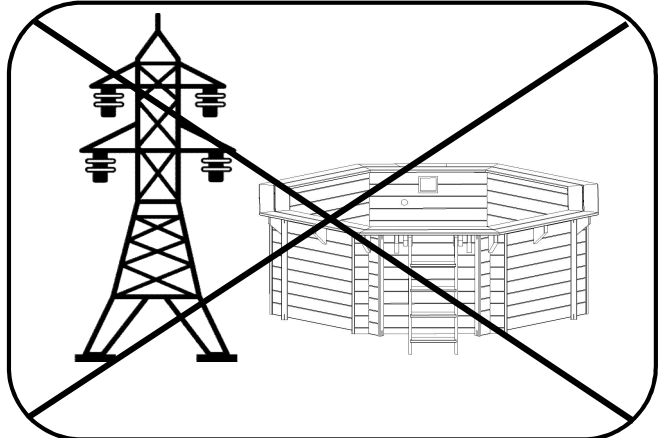
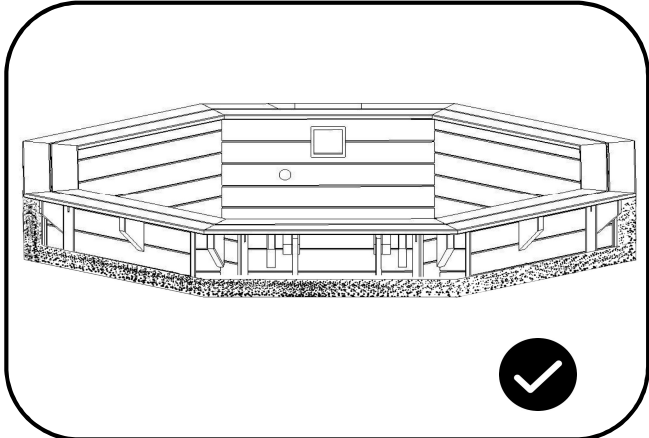
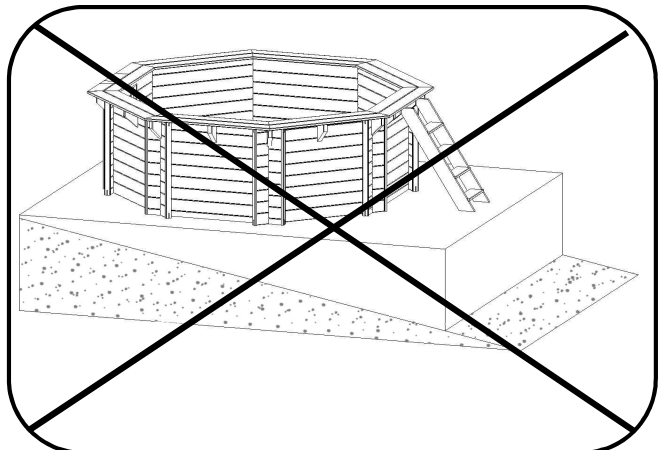
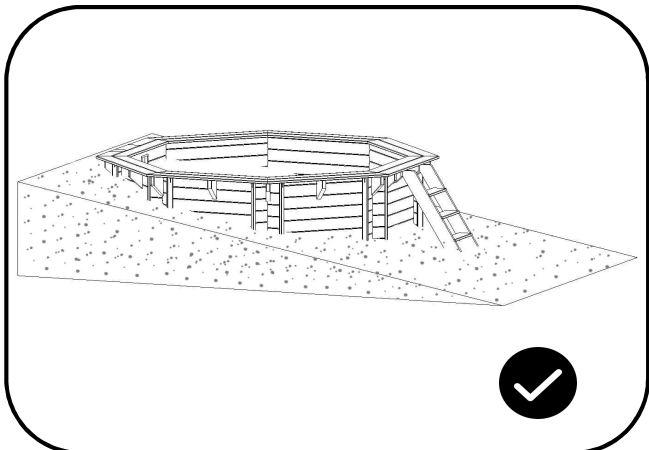
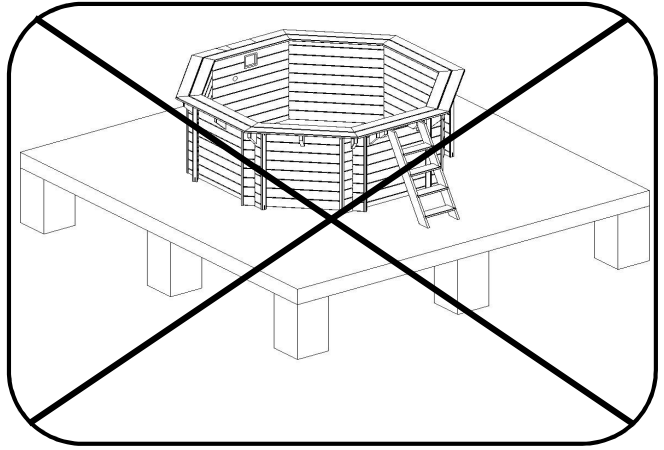
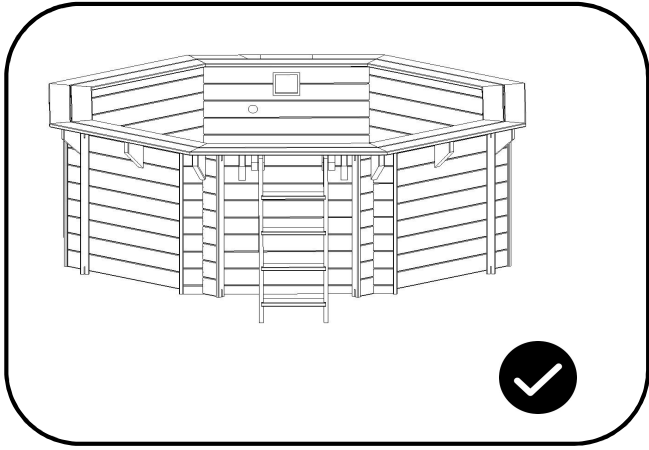


# Outils

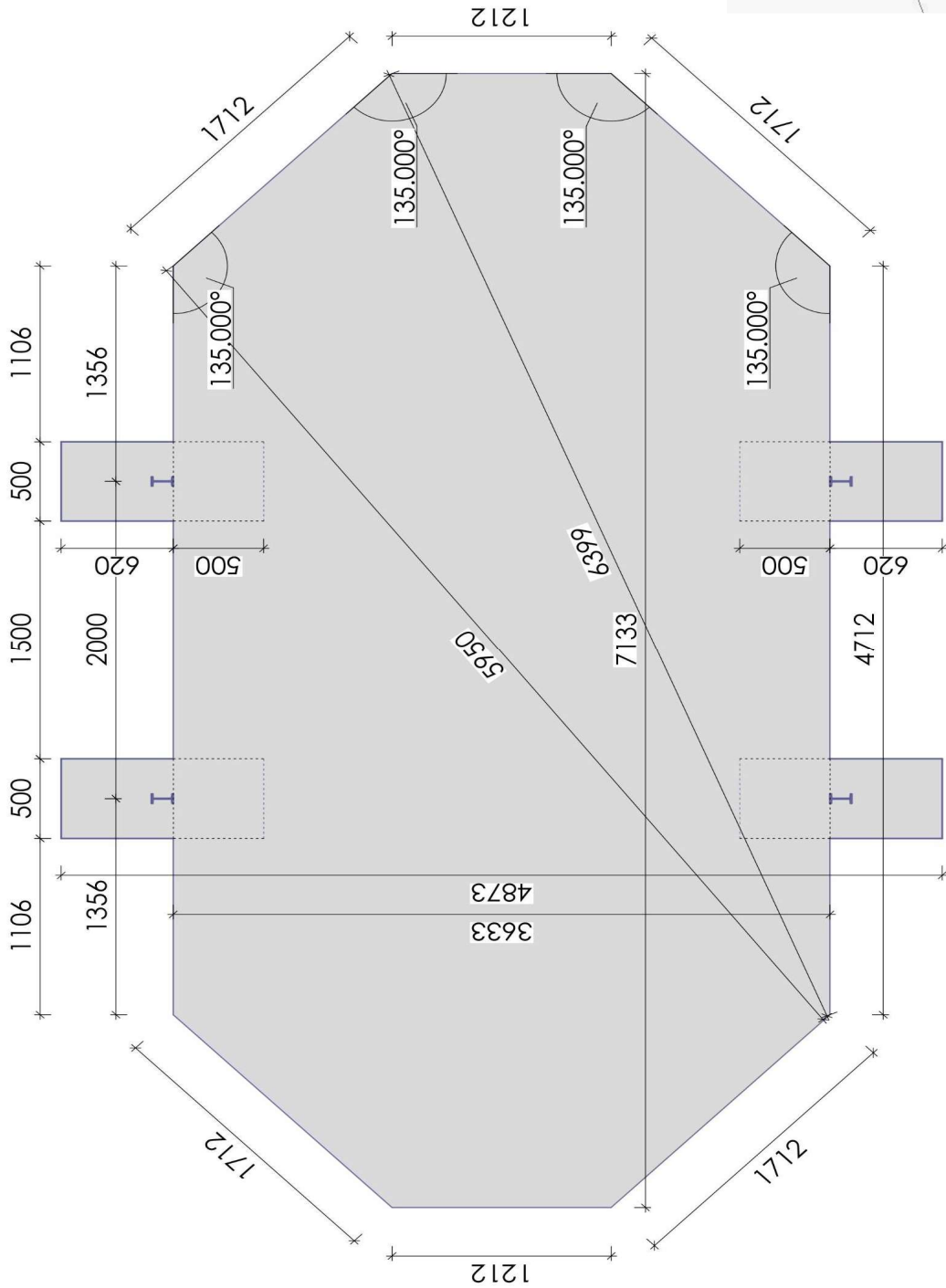
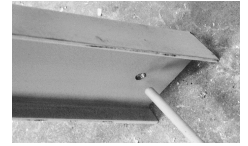
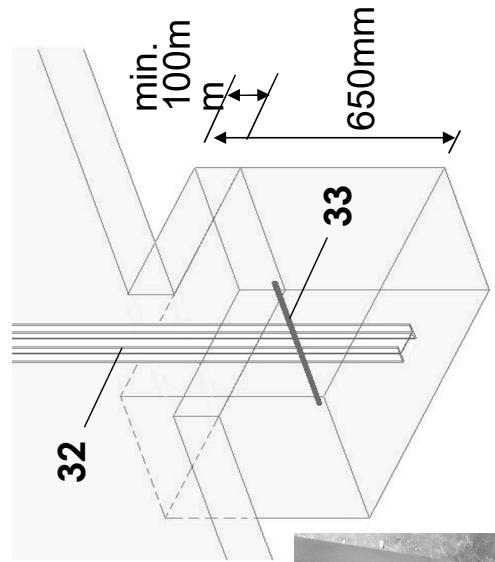
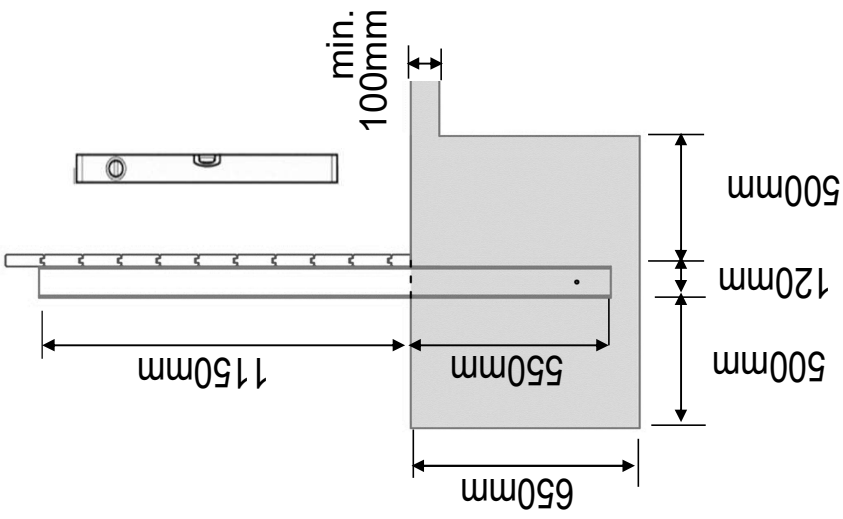


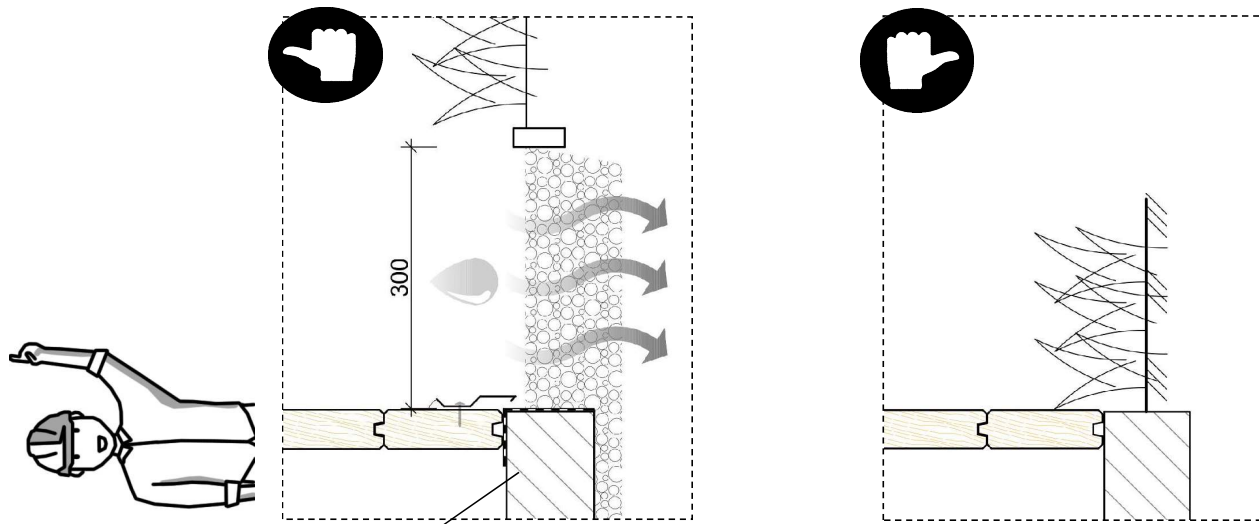
# Important



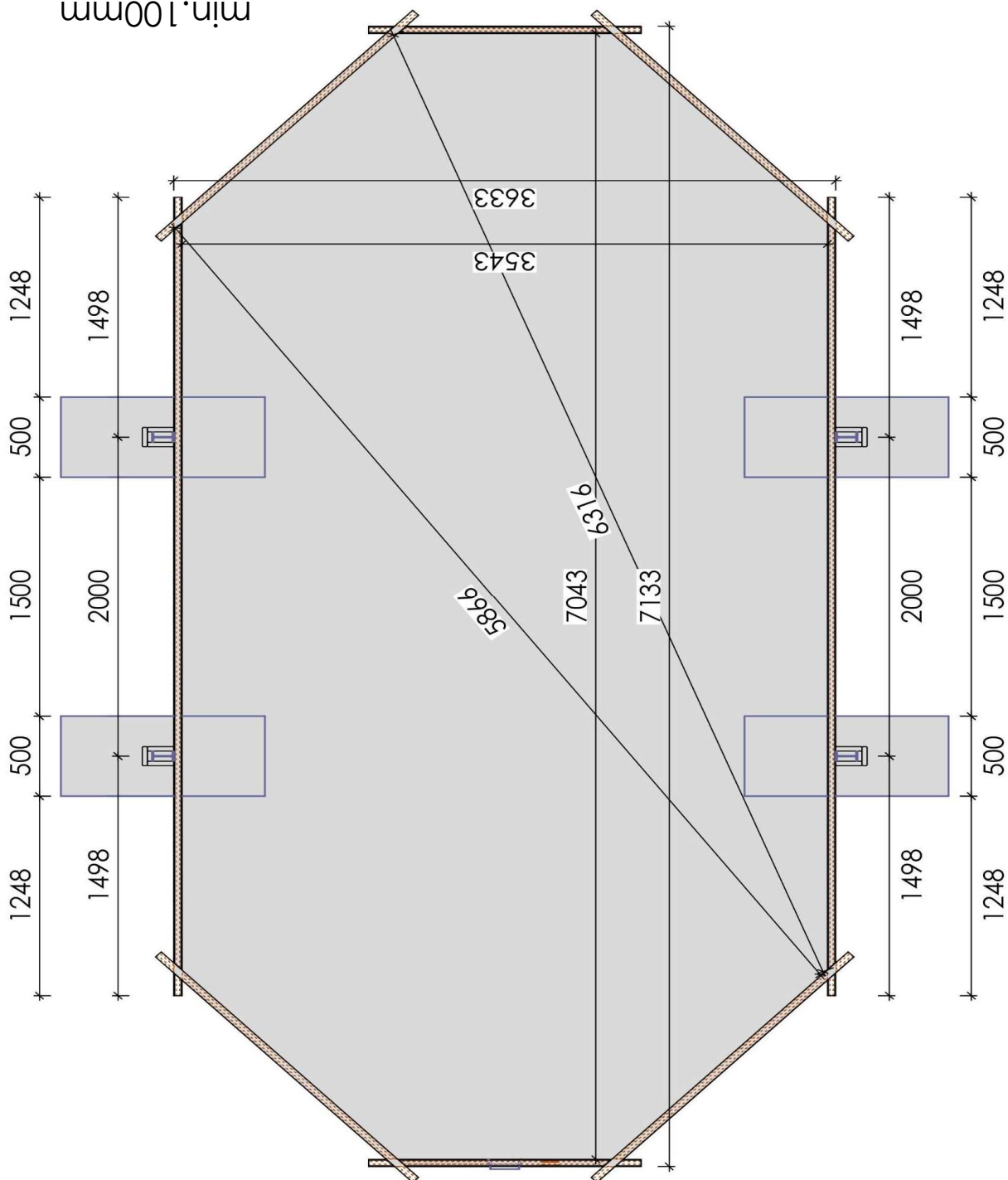




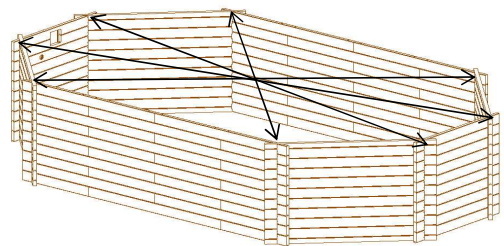
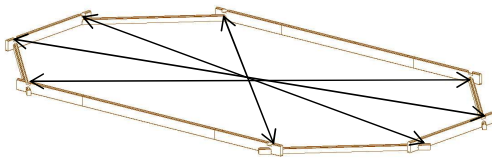
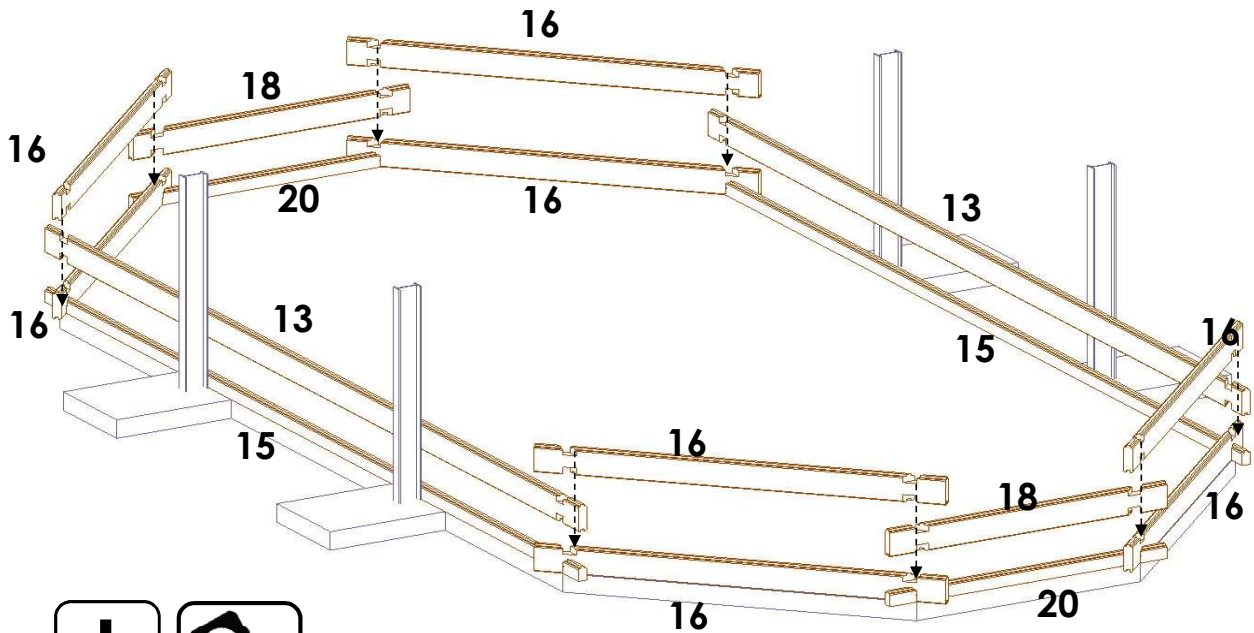
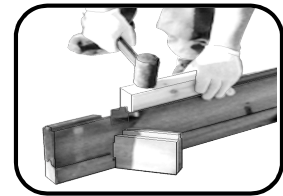
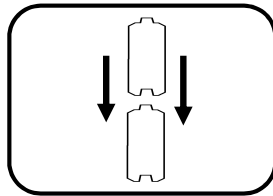
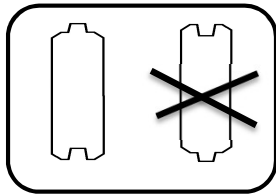




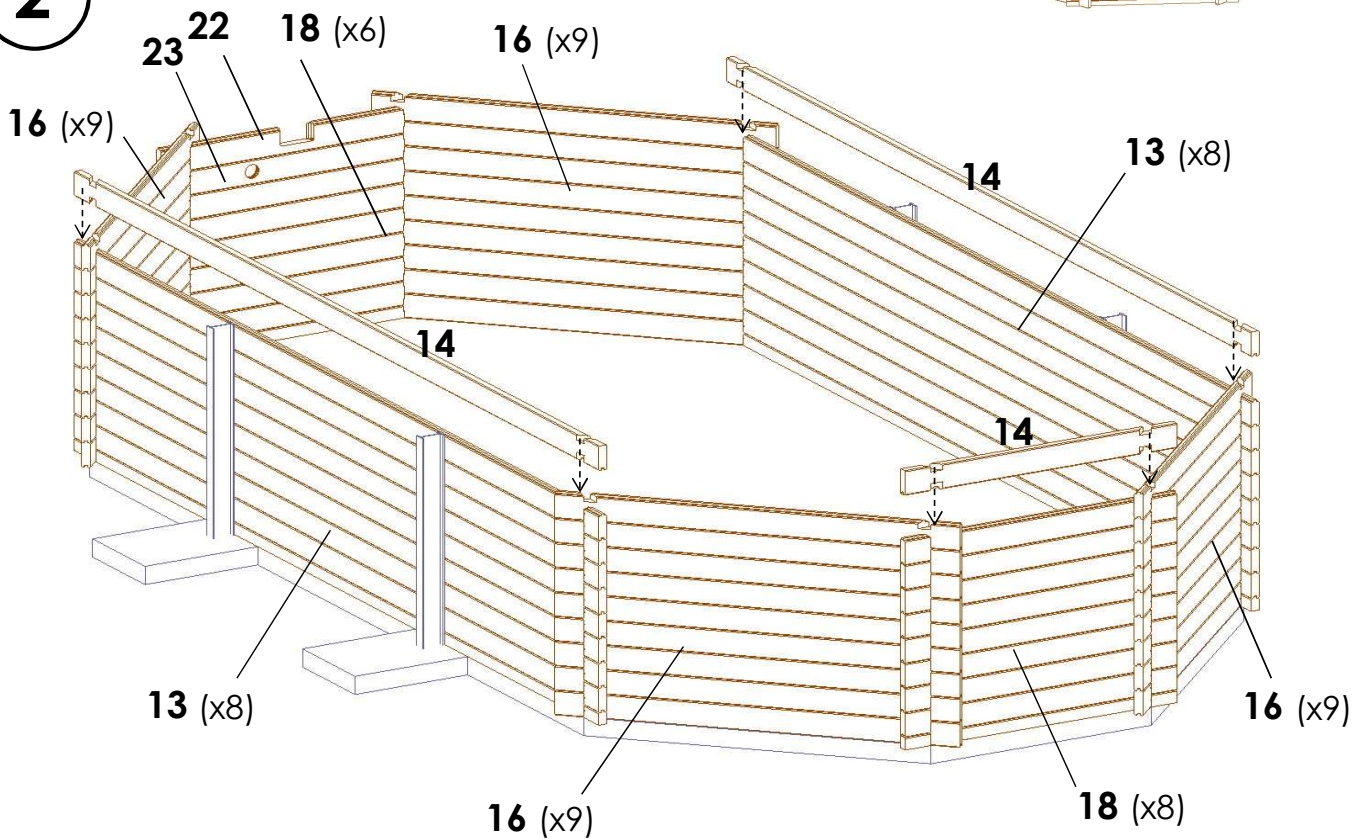
min. 100mm

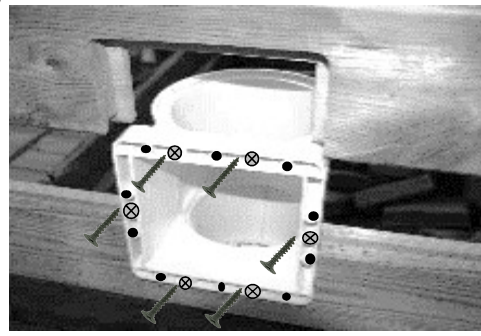
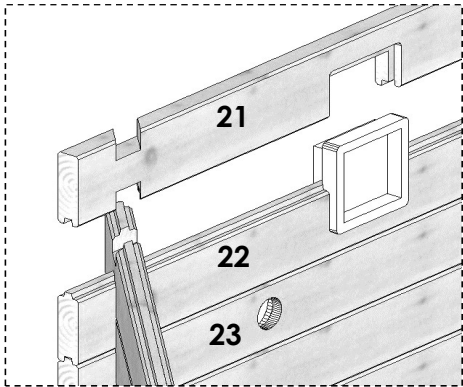


1



2





Ø4,0x40 (x6)



+ Ø4,0x40 (x16)

Ø5,0x100 (x5)

Ø5,0x100 (x5)

~0,5m

17

21

17

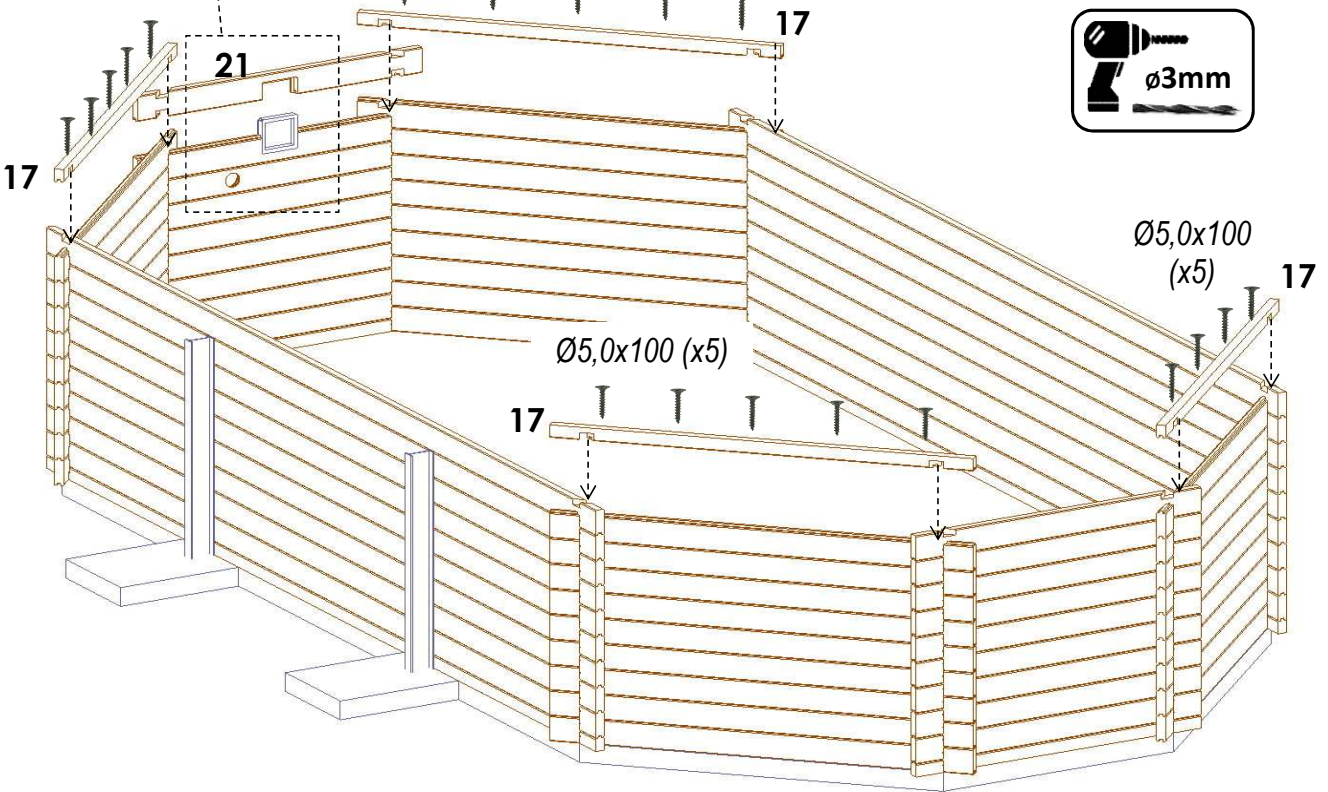


Ø5,0x100 (x5)

17

Ø5,0x100 (x5)

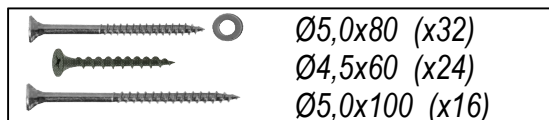
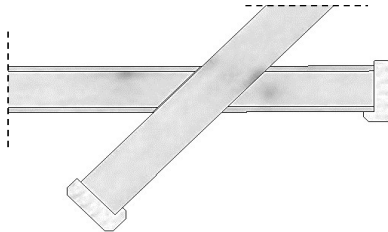
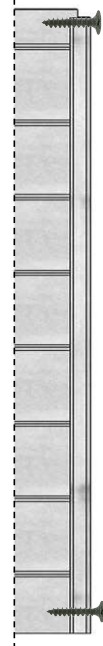
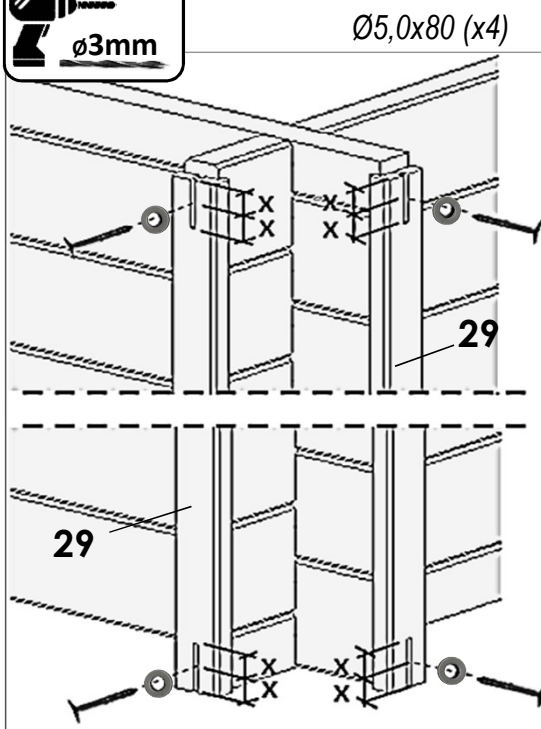
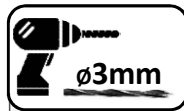
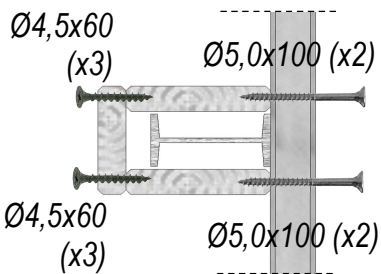
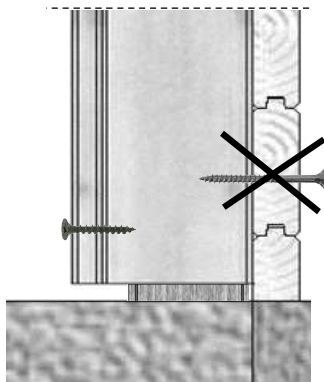
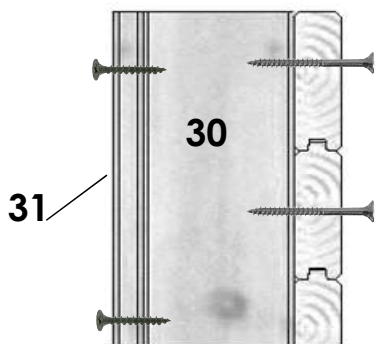
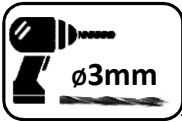
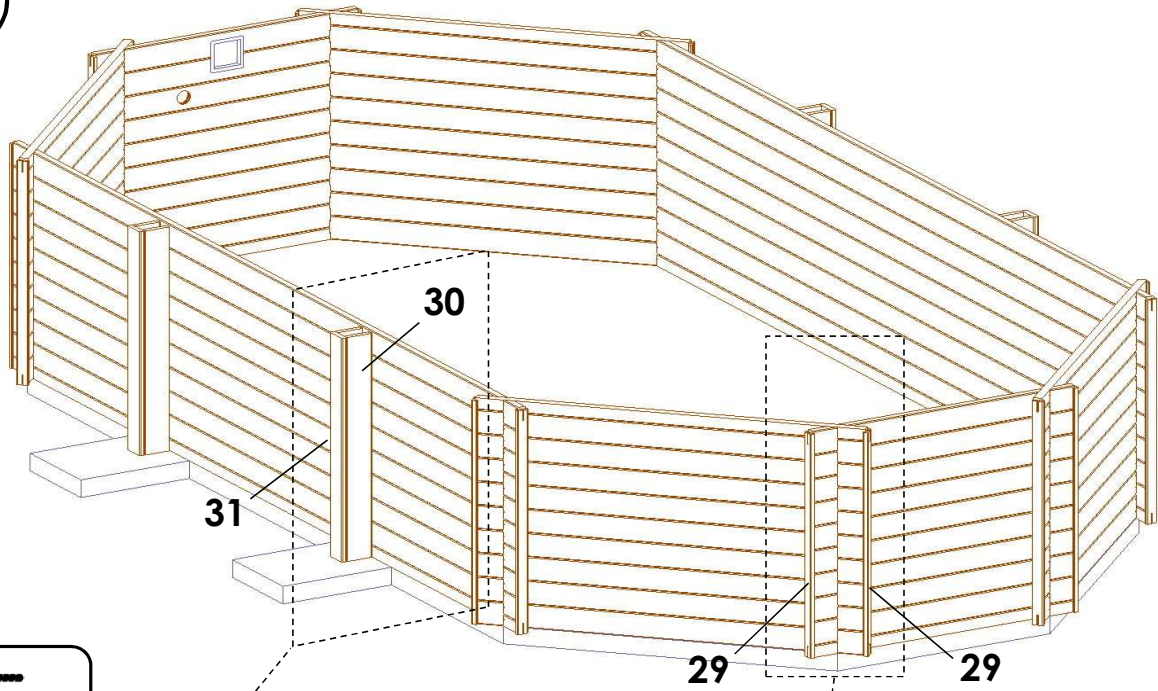
17



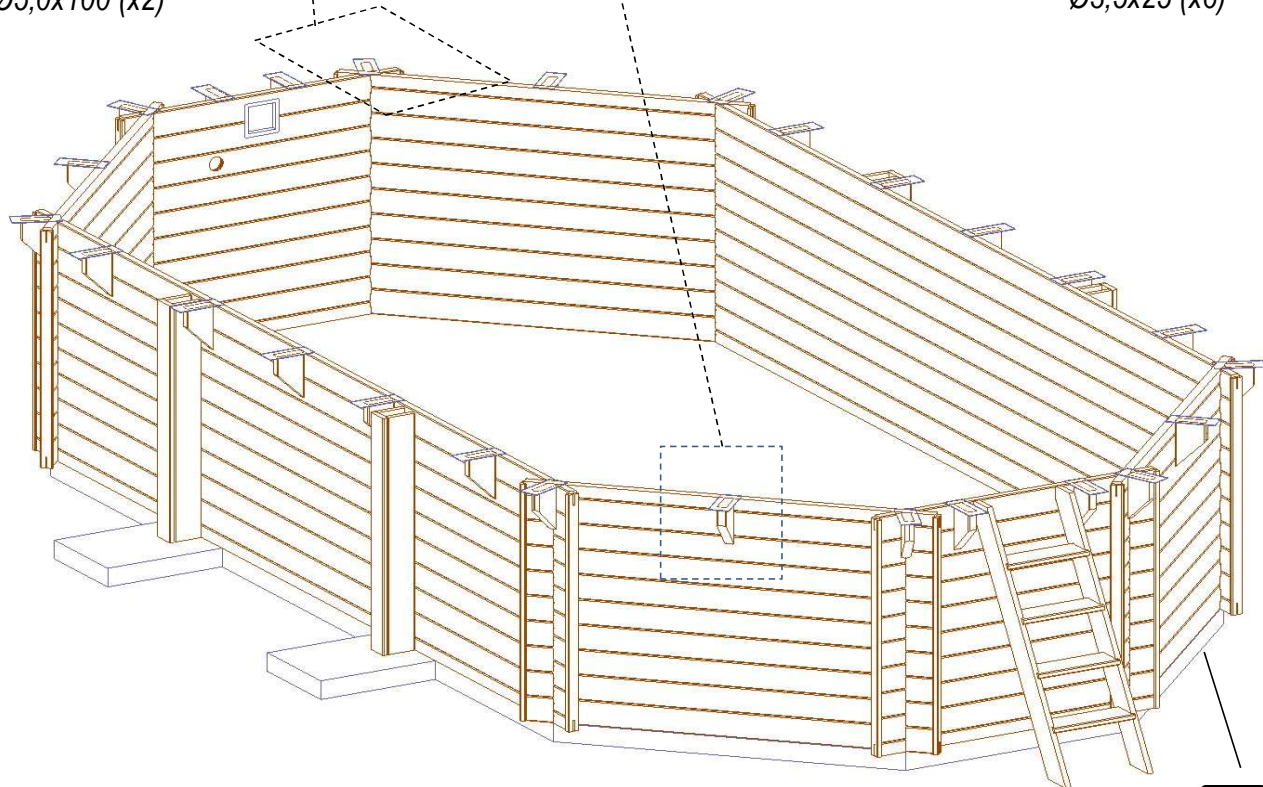
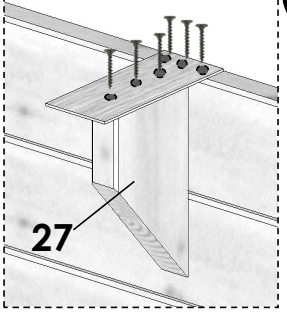
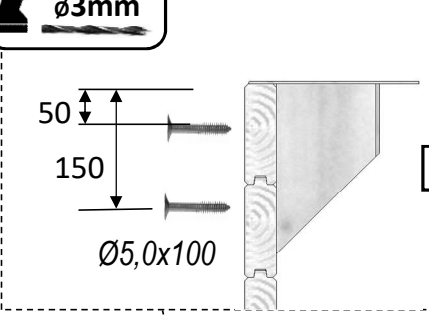
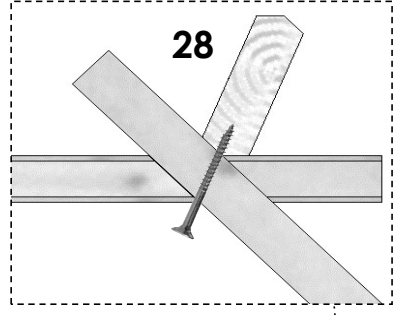
Ø5,0x100 (x20)



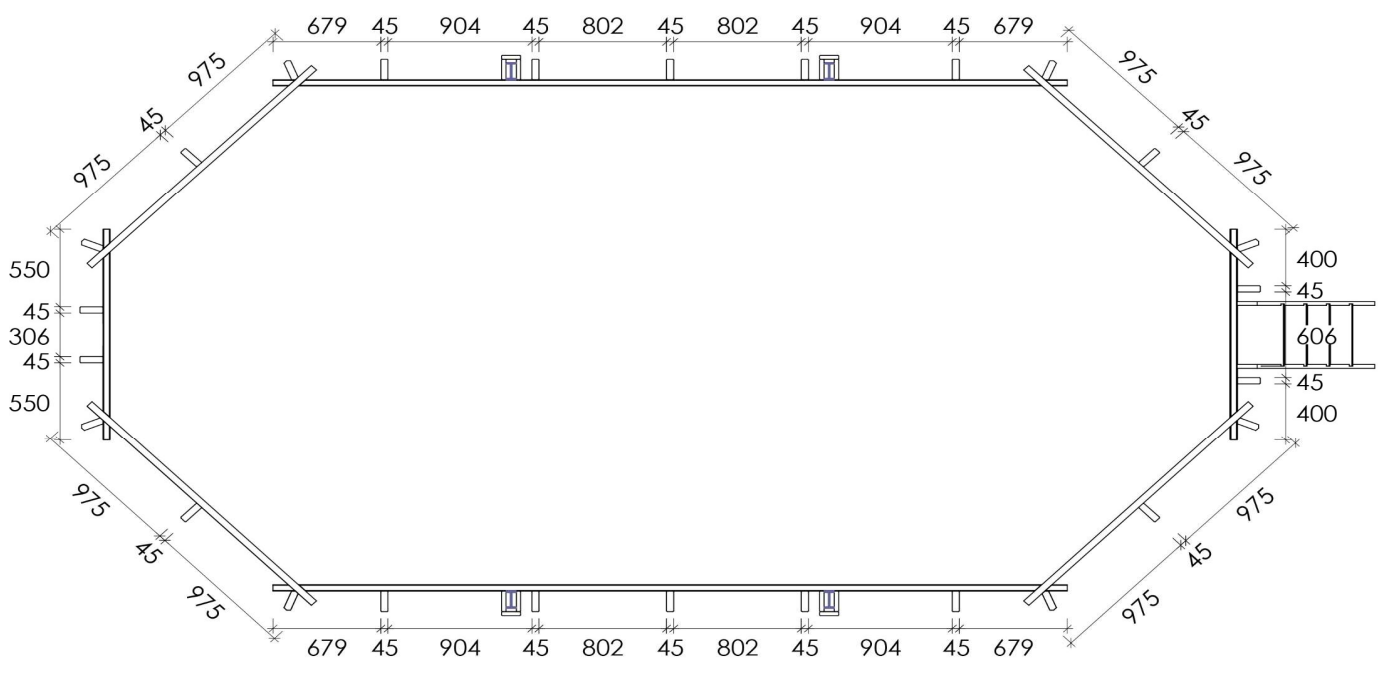
4



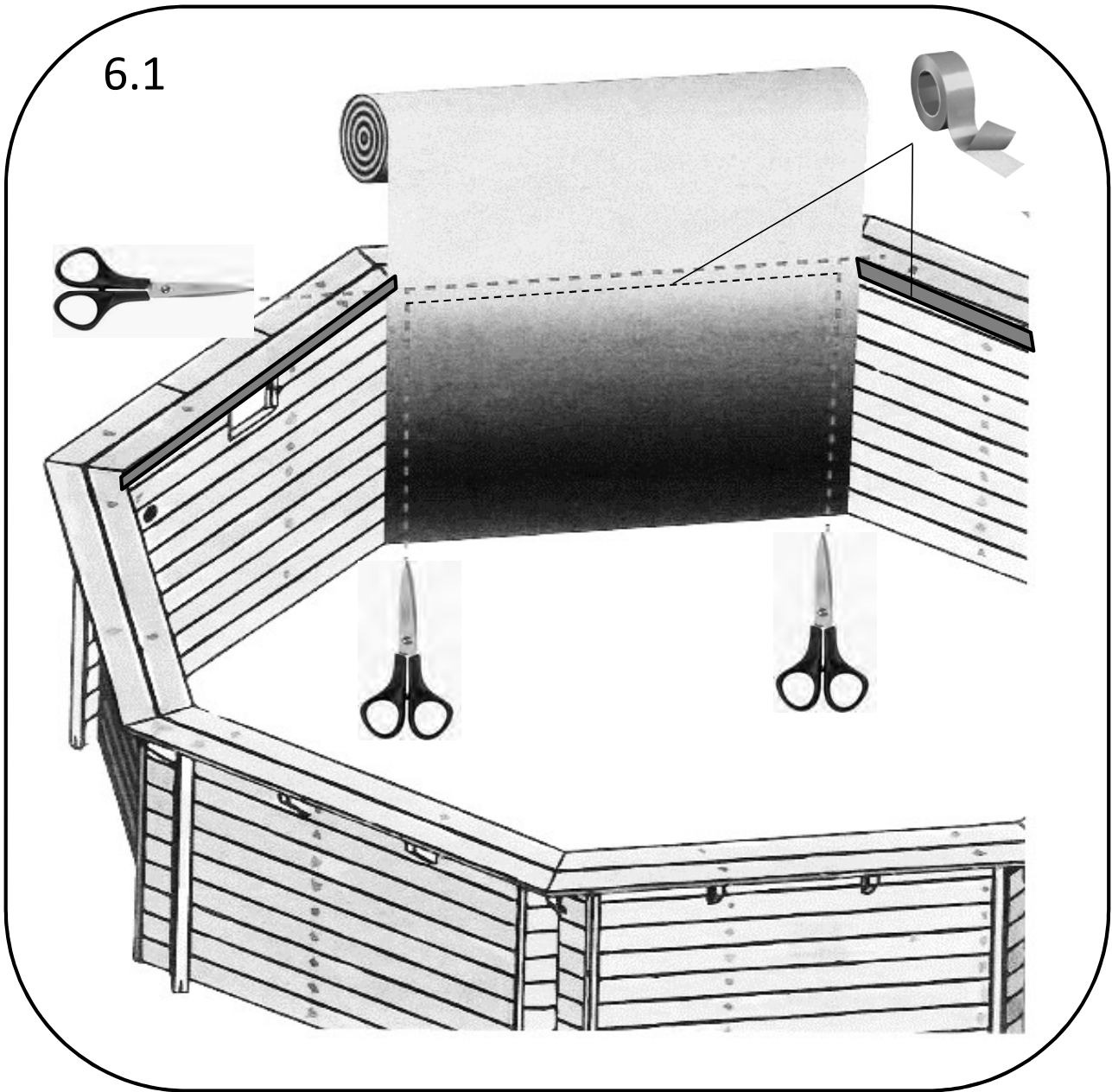
5

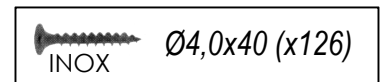
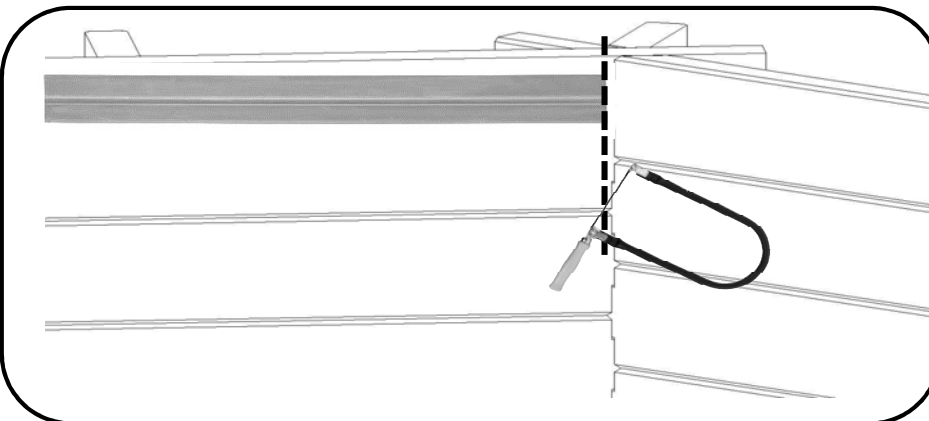
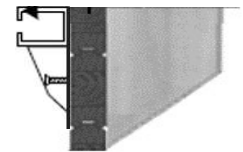
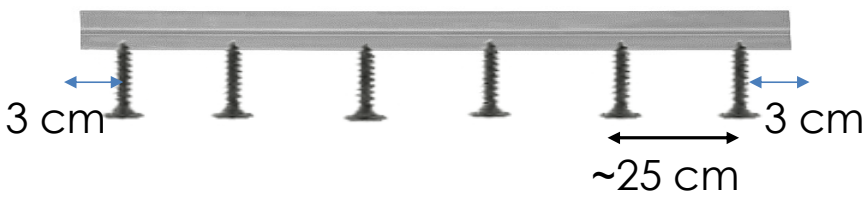
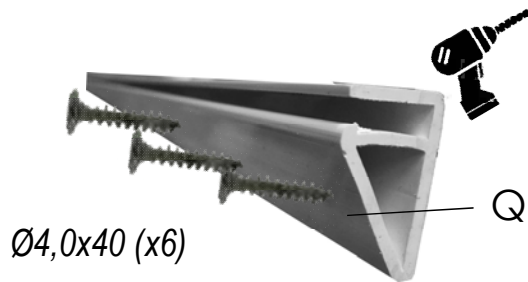
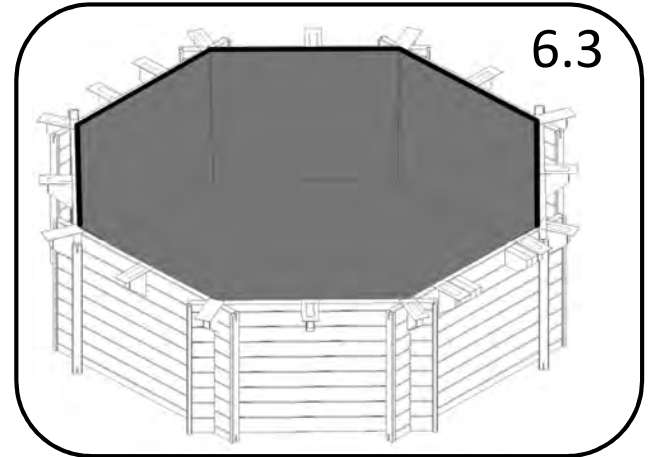
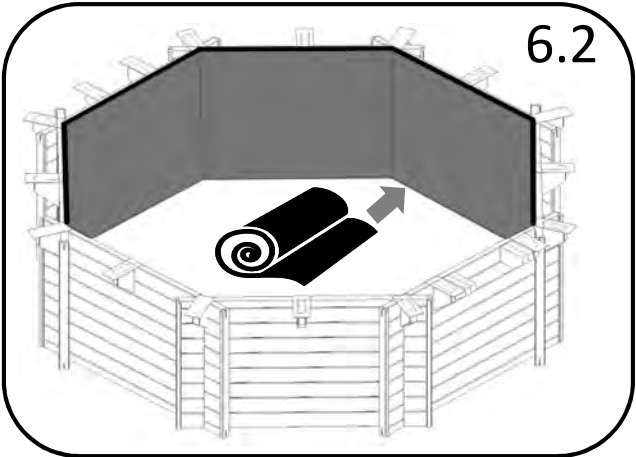
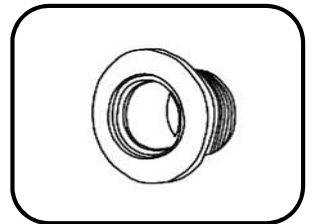
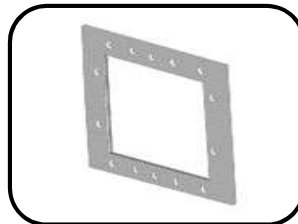
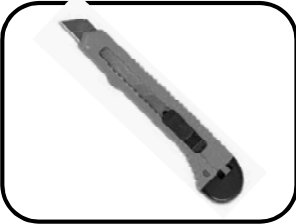
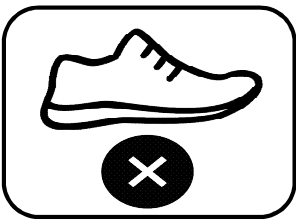


- Ø3,5x25 (x156)
- Ø5,0x100 (x52)

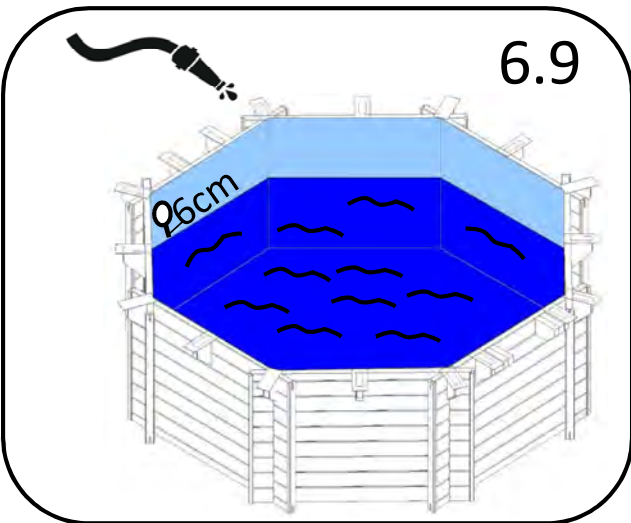
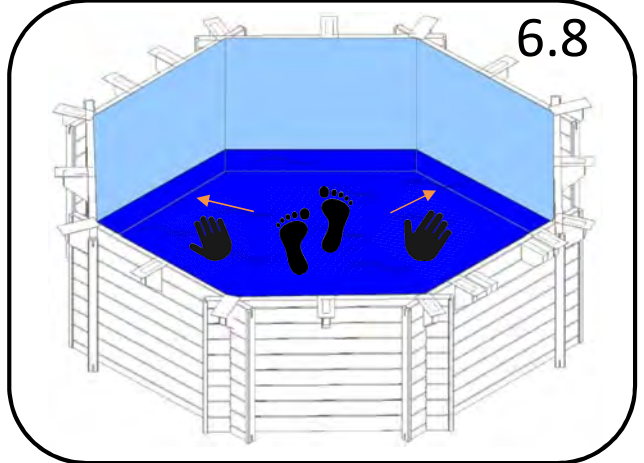
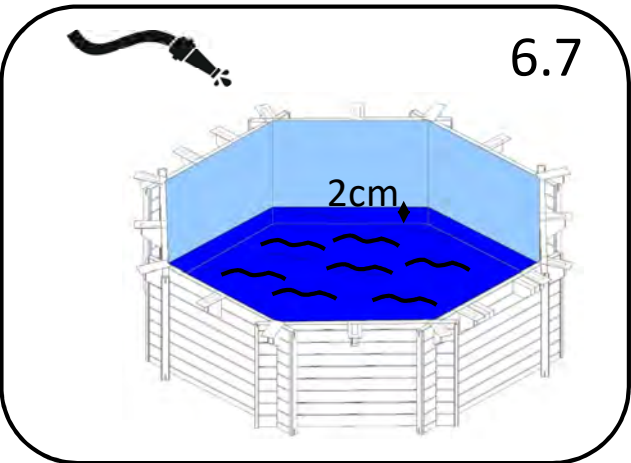
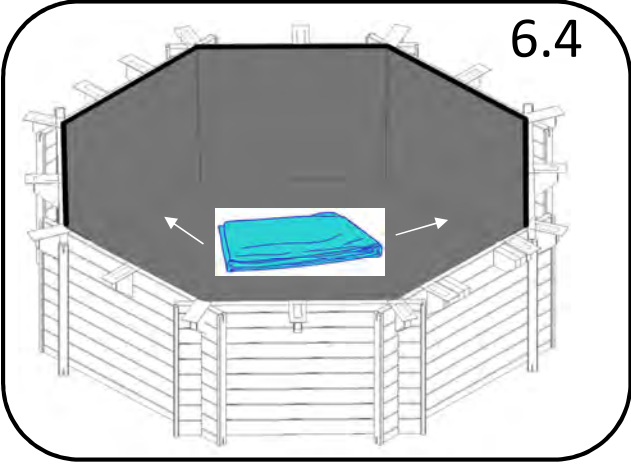
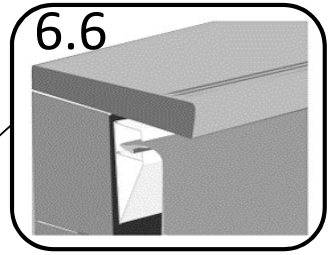
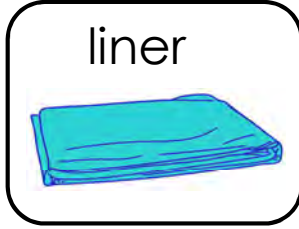
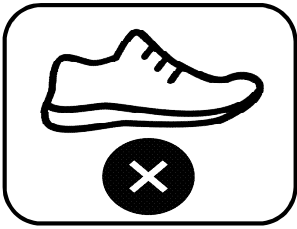


6

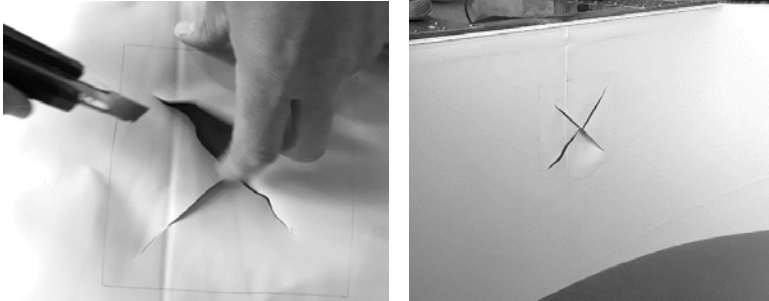
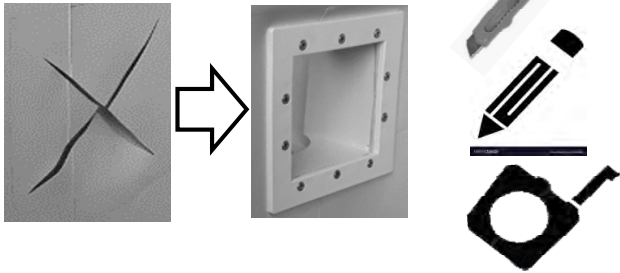




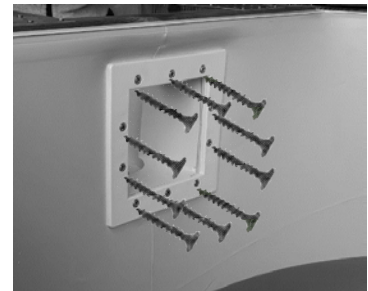




6.10



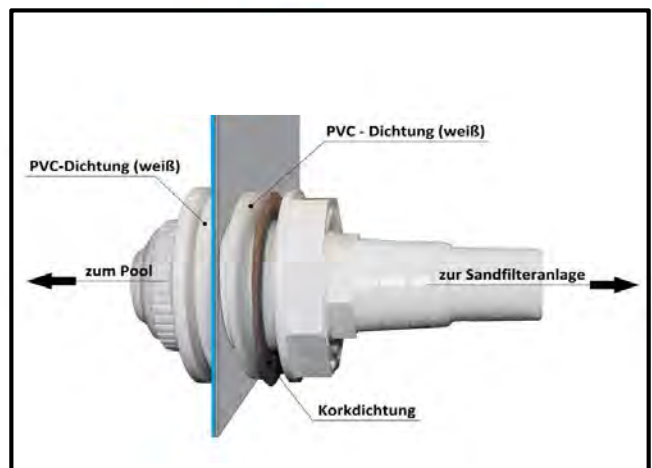
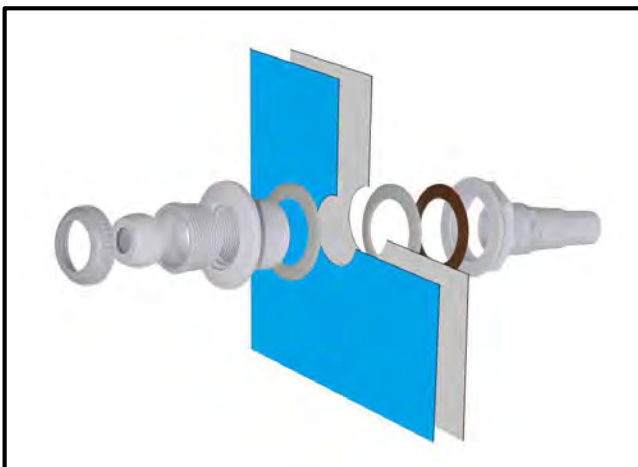
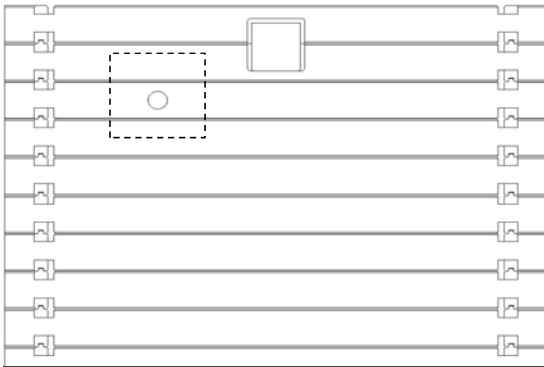
6.11



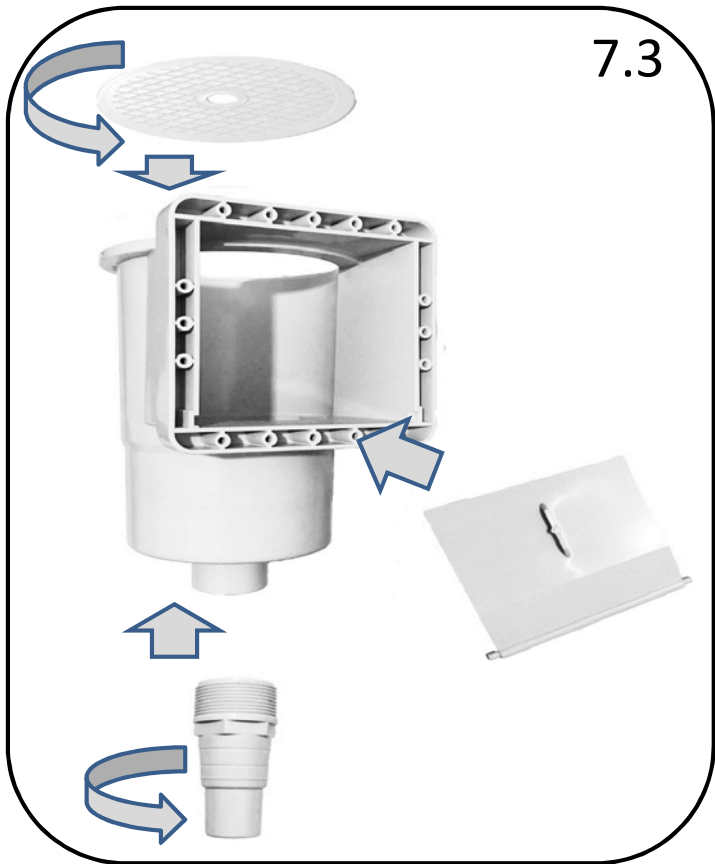
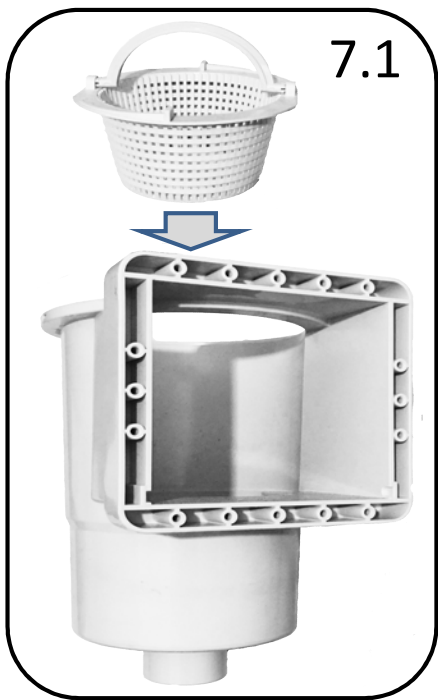
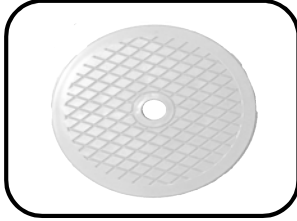
Ø4,0x40 (x10)

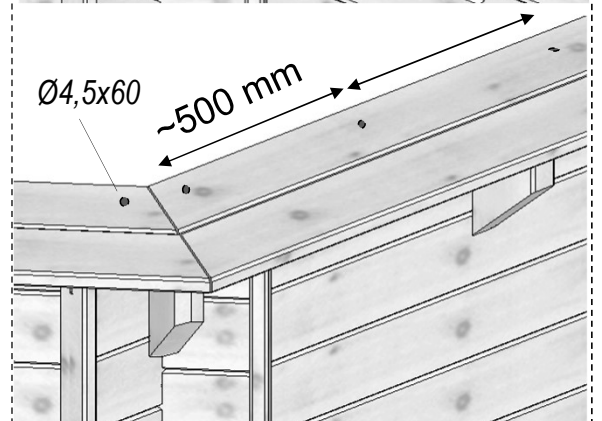
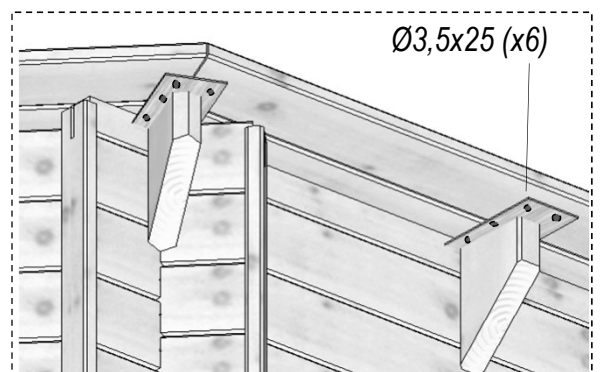
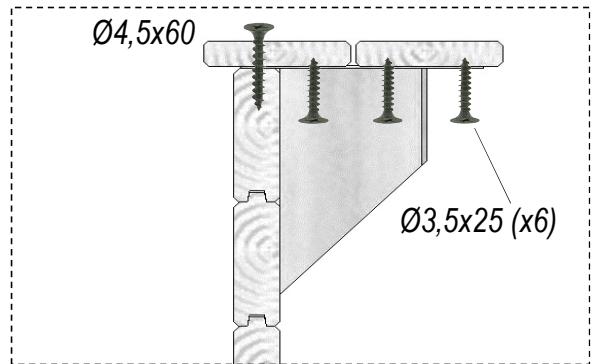
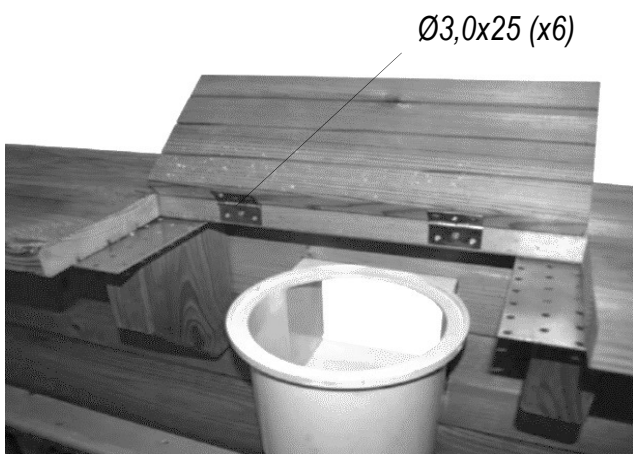
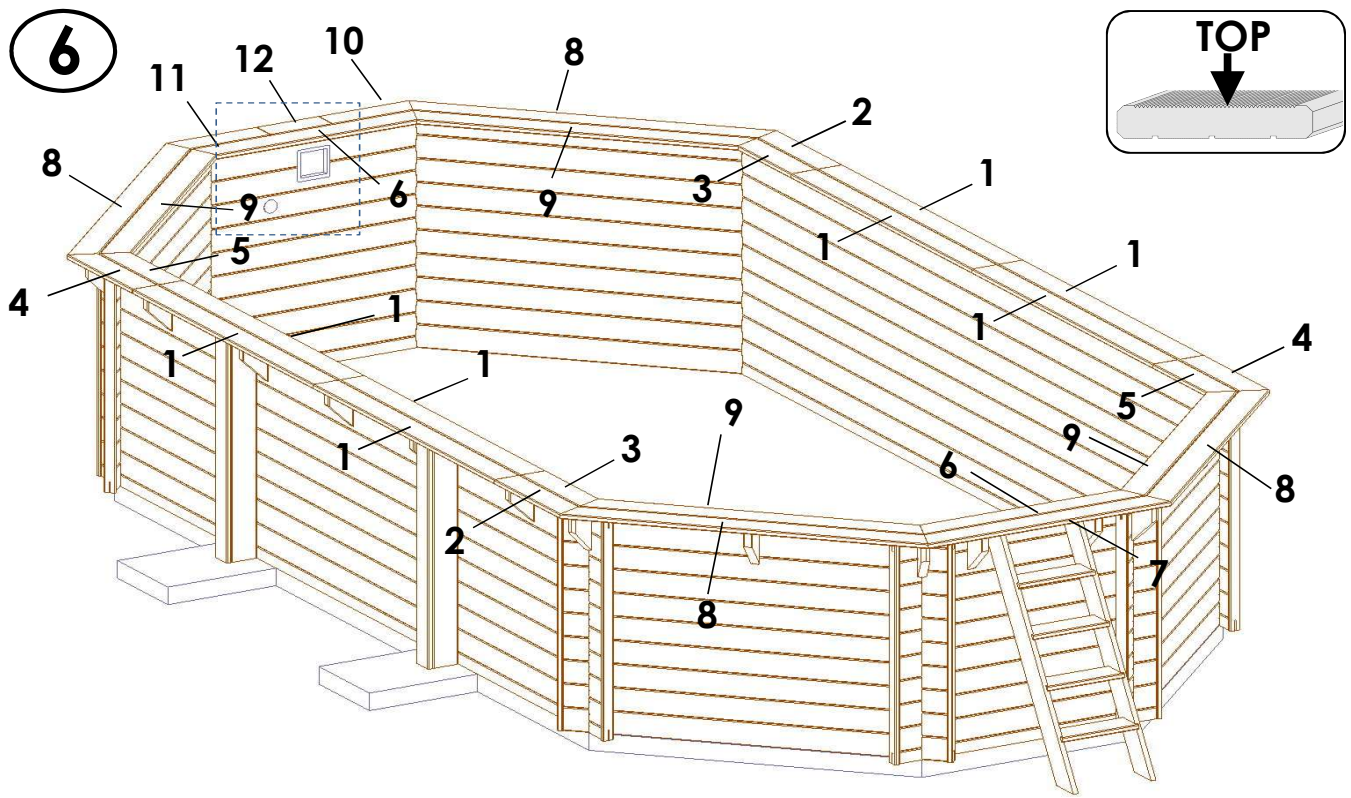





inside the pool



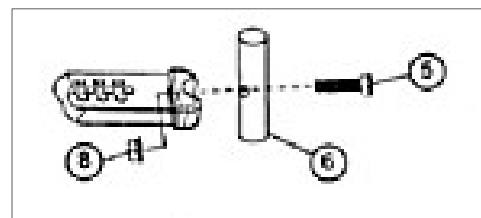
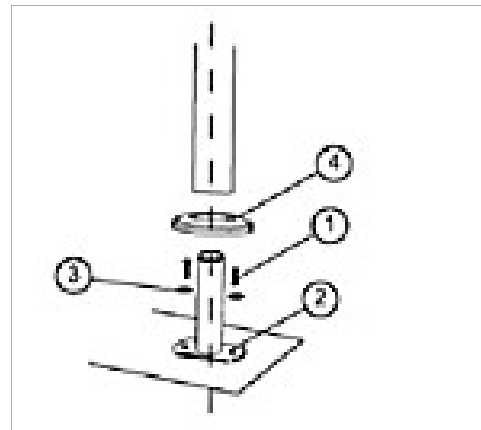
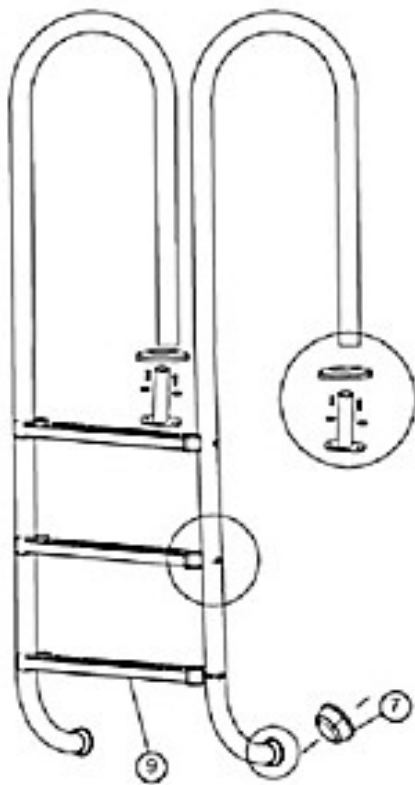
7





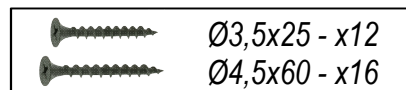
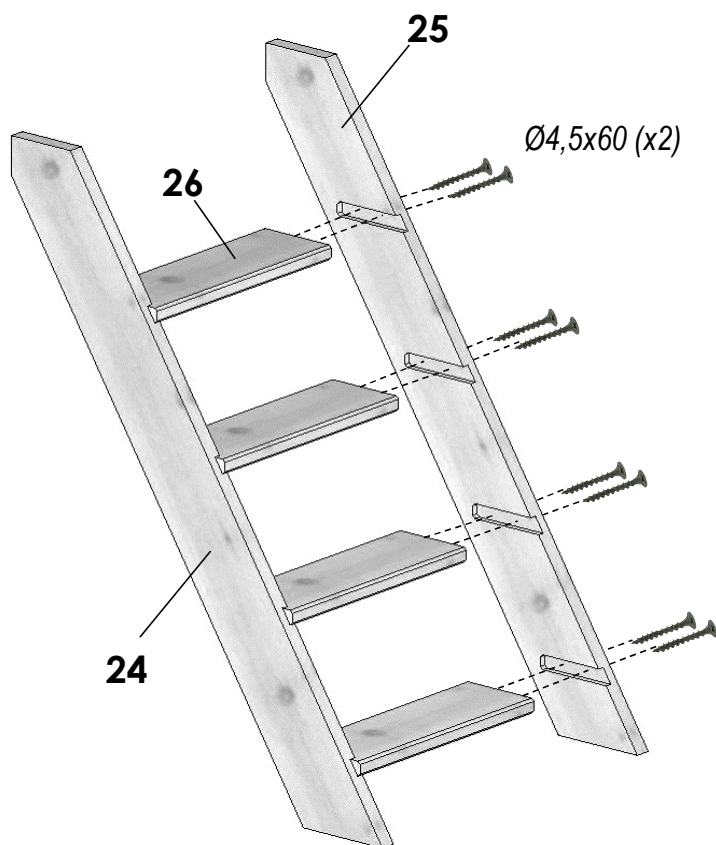
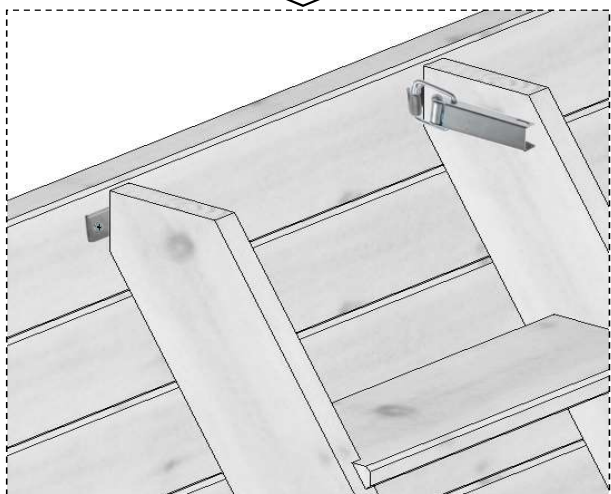
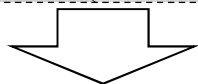
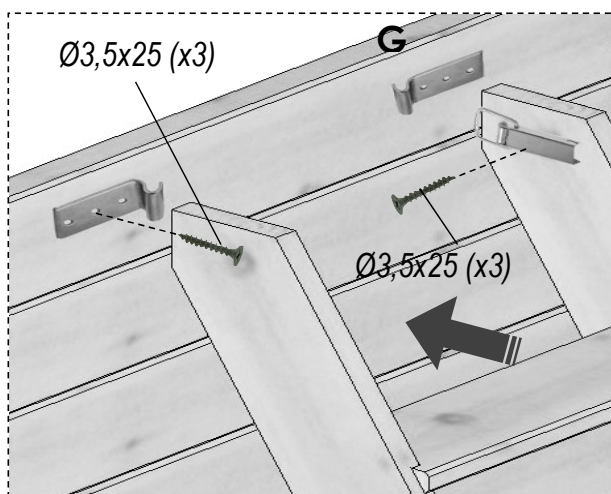
- |   |                                |
|---|--------------------------------|
|  | $\text{Ø}3,0 \times 25$ (x12)  |
|  | $\text{Ø}3,5 \times 25$ (x156) |
|  | $\text{Ø}4,5 \times 60$ (x46)  |

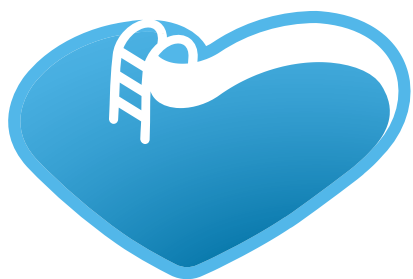




1	Skrews A	x4
2	Clamping foot	x2
3	Washers	x4
4	Overlays	x2
5	Skrews B	x6
6	Brackets	x2
7	Articulated bumpers	x2
8	Nuts	x6
9	Steps	x3

7





# BSVillage


[.com](http://www.bsvillage.com)

PISCINE - WELLNESS - OUTDOOR

[www.bsvillage.com](http://www.bsvillage.com)

BUSINESS SHOP S.r.l. a Socio Unico  
Via della Repubblica n. 19/1 - 42123 Reggio Emilia (RE)  
P.Iva e C.F. 02458850357 - Cap. soc. 60.000,00 € i.v.

 [www.bsvillage.com](http://www.bsvillage.com)

 0522 15 36 417

 [info@bsvillage.com](mailto:info@bsvillage.com)

 0522 18 40 494