



BSVillage
PISCINE - WELLNESS - OUTDOOR

MANUALE d'USO

Filtro a sabbia monoblocco SF 4000





TABLE OF CONTENTS

Warnings	3 ~ 6
Save These Instructions & Sand Pump Power Information & Part List	7 ~ 8
Setup Instructions & Operation Instruction	9 ~ 13
Important Safety Information	14
Replacement Instruction	15
Pool Water Care	15
Trouble Shooting Guide	16
Replacement Parts Ordering Information	17
Sand Filter Pump Disassembly & Storage	17
Asme Compliant Suction Fitting Information	18

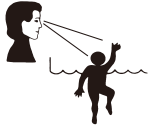


IMPORTANT SAFETY INSTRUCTIONS


When installing and using this electrical equipment, basic safety precautions should always be followed, including the following :

READ AND FOLLOW ALL INSTRUCTIONS

Keep for Future Reference. Failure to follow these warnings and instructions can result in serious injury or death to users, especially children



 DANGER	
PREVENT DROWNING Watch children at all times. Observe all Safety Rules.	NO DIVING! NO JUMPING! Shallow Water - You can be permanently injured.

 WARNING	
DO NOT SIT ON OR LAY OVER POOL WALL You can be permanently injured.	AVOID ENTRAPMENT Stay away from suction fittings. You may drown.

NOTICE: CUSTOMERS THAT PURCHASE POOLS MAY BE REQUIRED BY LOCAL OR STATE LAW TO INCUR ADDITIONAL EXPENSES WHEN INSTALLING A POOL, IN ORDER TO COMPLY WITH STATE OR LOCAL LAWS REGARDING FENCING AND OTHER SAFETY REQUIREMENTS. CUSTOMERS SHOULD CONTACT THEIR LOCAL BUILDING CODE ENFORCEMENT OFFICE FOR FURTHER DETAILS.

WARNING

Safety Care for Children

1. Children, especially children younger than five years, are at high risk of drowning. Drowning occurs silently and quickly and can occur in as little as 2 in. (5 cm) of water.
2. Keep children in your direct sight, stay close, and actively supervise them when they are in or near this pool and when you are filling and emptying this pool.
3. When searching for a missing child, check the pool first, even if the child is thought to be in the house.
4. Locate pumps and filters in such a way that children cannot climb on them and gain access to the pool.
5. **WARNING:** To reduce the risk of injury, do not permit children to use this product unless they are closely supervised at all times.

Swimming Pool Barriers

Very Important: Swimming pool barriers, which restrict access to the pool by small children, may be required by law. A barrier is necessary to provide protection against potential drowning and near drowning. Barriers are not a substitute for constant supervision of children. Check state or local laws and codes before setting up pool.

Swimming Pool Equipments

1. The use of artificial pool lighting is at the discretion of the pool owner. Lighting, when installed, should be in accordance with Article 680 of the National Electrical Code (NEC) or its latest approved edition and in consultation with a licensed electrical professional.
2. Keep all electrical lines, radios, speakers and other electrical appliances away from the pool.
3. Do not place pool near or under overhead electrical lines.
4. All electrical components installed in and/ or adjacent to an aboveground/onground residential swimming pool shall be installed in accordance with and shall comply with the requirements of the latest published edition of NFPA 70, National Electrical Code (NEC®) Article 680, Swimming pools, fountains, and similar installations, and any state or local code.

Filter Pump Awareness

1. **WARNING:** Risk of Electric Shock. Connect only to a grounding type receptacle. This product is provided with a ground-fault circuit-interrupter. If replacement of the plug or cord is needed, use only identical replacement parts.
2. **WARNING:** To reduce the risk of electric shock, replace damaged cord immediately.
3. **WARNING:** To reduce the risk of electric shock, do not use extension cord to connect unit to electric supply; provide a properly located outlet.
4. **CAUTION:** To reduce the risk of electric shock the pool must be installed no closer than 6 feet (1.8 m) from any electrical outlet. Do not place portable appliances closer than 5 feet (1.5 m) from the pool.
5. **CAUTION:** This pump is for use with storable pools only. Do not use with permanently-installed pools. A storable pool is constructed so that it is capable of being readily disassembled for storage and reassembled to its original integrity. A permanently-installed pool is constructed in or on the ground or in a building such that it cannot be readily disassembled for storage.



6. **CAUTION:** For continued protection against possible electric shock this unit is to be mounted to the base in accordance with the installation instructions.
7. Do not bury cord. Locate cord to minimize abuse from lawn mowers, hedge trimmers, and other equipment.
8. The unit is provided with a ground-fault circuit-interrupter (GFCI). To test the GFCI, push the test button. The GFCI should interrupt power. Push the reset button. Power should be restored. If the GFCI fails to operate in this manner, the GFCI is defective. If the GFCI interrupts power to the pump without the test button being pushed, a ground current is flowing, indicating the possibility of an electric shock. Do not use this pump. Disconnect the pump and have the problem corrected by a qualified service representative before using.
9. The Filter Pump is to be assembled by an adult; care should be taken in the unpacking and assembly of the Filter Pump, this pool may contain accessible potentially hazardous sharp edges or sharp points that are a necessary part of the function of the Filter Pump.
10. If a drain or suction outlet cover is missing or broken, do not use the pool. Suction can cause body part entrapment, hair and jewelry entanglement, evisceration, or drowning. Repair or replace the drain or suction outlet cover before allowing the pool to be used.. During nighttime pool use, artificial lighting shall be used to illuminate all safety signs, ladders, steps, deck surfaces and walks.
11. The floor of the pool shall be visible at all times from the outside perimeter of the pool.
12. Post a list of emergency telephone numbers such as the nearest available police, fire, ambulance and/or rescue unit. These numbers are to be kept near the telephone, which is closest to the pool.
13. Basic lifesaving equipment, including one of the following should be on hand at all times:
 - A light, strong, rigid pole (shepherds crook) not less than twelve feet (12') [366 cm] long.
 - A minimum one-fourth inch (1/4") [6.35 mm] diameter rope as long as one and one half (1-1/2) times the maximum width of the pool or fifty feet (50') [15.24 meters], whichever is less, which has been firmly attached to a Coast Guard-approved ring buoy having an outside diameter of approximately fifteen inches (15") [38.1 cm], or similarly approved flotation device.
14. Pool shall be located at a minimum distance of 6 ft (1.83 m) from any receptacle, and all 125-volt 15- and 20-ampere receptacles located within 20 ft (6.0 m) of the pool shall be protected by a ground fault circuit interrupter (GFCI), where distances are by measuring the shortest path the supply cord of an appliance connected to the receptacle would follow, without piercing a floor, wall, ceiling, doorway with hinged or sliding door, window opening, or other effective permanent barrier, to the inside wall of the pool.

Circulation Systems

1. Installers shall follow written instructions regarding positioning of all equipment connected to the circulation systems.
2. The installer shall follow written instruction provided for operation of the circulation system components.
3. All circulation system components and pump that require replacement or servicing shall be installed according to the pump's instruction manual.
4. Circulation equipment shall be installed per manufacturer's instructions to provide proper mounting and support, to prevent damage from misalignment, settlement, and vibration, and to minimize the potential for the accumulation of debris and moisture. Please refer to pump's instruction manual.

Chemicals

For safety sake, ensure the deepest part of the pool is always visible. The user must properly maintain clarify of the pool water at all time. Check the pH and chlorine levels periodically and make sure they are within the recommended limits. Additional water treatment chemicals might be needed from time to time. Have the water sample tested by a local pool supply store to determine if additional chemical is needed. Turn on the filter pump system for at least six hours per day. Clean and replace filter cartridge frequently. Replace only with genuine / Summer Wave™ Brand filter cartridge. Refer to the Filter Pump manual for additional water care information.

Entrapment Risk

1. **Entrapment Avoidance:** There shall be no protrusions or other obstruction in the swimming area, which may cause entrapment or entanglement of the user. If a suction outlet cover is missing or broken, do not use the pool. Suction can cause body part entrapment, hair and jewelry entanglement, evisceration, or drowning. Repair or replace the suction outlet cover before allowing the pool to be used.
2. **DANGER! TO AVOID SERIOUS INJURY OR DEATH, CLOSE THE POOL OR SPA TO BATHERS IF ANY SUCTION OUTLET COVER/GRATE IS MISSING, BROKEN OR INOPERATIVE.**
3. Never play or swim near drains or suction fittings. Your body or hair may be trapped causing permanent injury or drowning.
4. Never enter the pool or spa if a suction fitting or drain cover is loose, broken, or missing.
5. Immediately notify the pool/spa owner or operator if you find a drain cover loose, broken or missing.

Drowning Risk

1. Keep unsupervised children from accessing the pool by installing fencing or other approved barrier around all sides of pool. State or local laws or codes may require fencing or other approved barriers. Check state or local laws and codes before setting up pool.
2. Toys, chairs, tables or similar objects that a young child could climb shall be at least four feet (4') [121.92 cm] from the pool. The pump filter system shall be positioned so as to prevent it being used as a means of access to the pool by young children. Do not leave toys inside pool when finished using, since toys and similar items might attract a child to the pool.
3. Position furniture (for example, tables, chairs) away from pool and so that children cannot climb on it to gain access to the pool.

Electrocution Risk

1. Keep all electrical lines, radios, speakers and other electrical appliances away from the pool.
2. Do not place pool near or under overhead electrical lines.

First Aid

1. Keep a working phone and a list of emergency numbers near the pool.
2. Become certified in cardiopulmonary resuscitation (CPR). In the event of an emergency, immediate use of CPR can make a lifesaving difference.

Special Warning

1. Local building codes may require obtaining a building or electrical permit. Installer shall follow regulations on setback, barriers, devices and other conditions.
2. Safety signs shall comply with requirements of ANSI-Z535 and to use signal wording.
3. DO NOT attempt to assemble this pool in adverse weather conditions, windy conditions or when the temperature is below 60°F.
4. This is a storable filter pump, which should be disassembled and stored when temperatures are expected to fall below 32°F.

Extra Safety Warning

1. Adult supervision is always required.
2. Parents should learn CPR.
3. Keep all electrical radios, speakers and other appliances away from the swimming pool.
4. When you touch the filter, pump, or electrical parts, be sure the ground under your feet is "Bone Dry."
5. All electrical outlets should have a GFCI and connections should be a minimum of 5 feet (1.52 m) from the outside perimeter of the wall of the pool.
From 5–10 feet (1.52–3.05 m), there should be either a fixed connection (outlet box) or twistlock connection with a GFCI.
6. Connect power cords to a 3-wire grounding-type outlet only.
7. Keep all breakable objects out of the pool area.
8. Alcohol consumption and pool activities do not mix. Never allow anyone to swim, dive or slide under the influence of alcohol or drugs.
9. Severe electrical shock could result if you install your pump or filter on a deck. The pump or filter could fall into the water, causing severe shock or electrocution.
10. Do not install on a deck or other surface at, above, or slightly below the top rail of the pool.
11. Do not use the filter pump during severe weather conditions, i.e. electrical storms, tornadoes, etc.
12. Be aware of overhead power lines when vacuuming your pool or using a telescoping pole.
13. Check regularly for signs of wear or loose bolts that could make the deck unsafe.
14. Please contact pool site dealer or manufacturer for additional safety signs if deemed necessary.
15. For pool service, select a certified pool professional.
For additional safety information, see www.APSP.org.

Consumer Awareness Booklets and Information Source

Contact: U.S. Consumer Product Safety Commission at www.CPSC.gov/cpsc/pub/pubs/pool/pdf, Pub. #362 "Safety Barrier Guidelines for Home Pools".

1. The Sensible Way to Enjoy Your Aboveground/Onground Swimming Pool
2. Children Aren't Waterproof
3. Layers of Protection
4. Pool and Spa Emergency Procedures for Infants and Children
5. Be Safety Aware Copies of the above brochures are available free from the APSP. Go to: www.APSP.org.

Safety Education Programs and Materials Educational programs and materials (i.e., seminars, workshops, brochures, videos, instructional guides) are available from the APSP, other aquatic safety groups, and by private firms. As a means of communicating useful safety information to pool owners/operators, and users, industry members are permitted to provide such information to owners/operators and to request or require owners/operators to sign a statement that they have received, read, and will follow the guidelines.

Other sources of safety information:

- www.cdc.gov
- www.cpsc.gov
- www.drowningpreventionalliance.com
- www.nspf.org
- www.safekids.org

ANSI American National Standards Institute

25 West 43rd Street, New York NY 10036
Contact: 212-642-4900
www.ansi.org

APSP Association of Pool & Spa Professionals

(formerly National Spa and Pool Institute)
2111 Eisenhower Avenue, Alexandria VA 22314
Contact: 703-838-0083
www.apsp.org



ASME American Society of Mechanical Engineers

3 Park Avenue, New York NY 10016

Contact: 212-591-8562

www.asme.org

NSPI National Spa and Pool Institute (ss APSP)

UL Underwriters Laboratories

333 Pfingsten Road, Northbrook IL 60062-2096

Contact: 847272-8800

www.ul.com

NSF NSF International

789 N. Dixboro Rd,

P.O. Box 130140

Ann Arbor MI 48113-0140

734-769-8010

www.nsf.org

ASTM ASTM International (formerly American Society of Testing & Materials)

100 Barr Harbor Drive, West Conshohocken, PA 19428-2959

Contact: 610-832-9585

610-832-9555 (fax)

www.astm.org

NEC National Electrical Code (see NFPA)

NFPA National Fire Protection Association

1 Batterymarch Park, Quincy MA 02269

Contact: 617-770-3000

www.nfpa.org

Filtration Systems

Any equipment connected to the circulation systems shall be positioned so as to prevent their being used as a means of access to the pool by young children. (See the latest published edition of ANSI/APSP-8 Model Barrier Code for Residential Swimming Pools, Spas, and Hot Tubs.)

Barrier

Barrier is necessary to provide protection against potential drowning and near drowning and that barriers are not a substitute for the constant supervision of children. (See latest published edition of ANSI/APSP-8 Model Barrier Code for Residential Swimming Pools, Spas, and Hot Tubs.)

Risk of Drowning, Entrapment, and Diving Accidents

Publications are available that describe the risk of drowning, entrapment, and diving accidents. Available publications related to pool safety include the Association of Pool and Spa Professionals' (APSP) booklets entitled: The Sensible Way to Enjoy Your Aboveground/ Onground Swimming Pool, Children Aren't Waterproof, Pool and Spa Emergency Procedures for Infants and Children, Layers of Protection, and the latest published edition of ANSI/APSP-8 Model Barrier Code for Residential Swimming Pools, Spas, and Hot Tubs.

Installer Responsibilities

All of these components shall be positioned so as to prevent their being used as a means of access to the pool by young children. (See the Barrier Code for Residential Swimming Pools, Spas, and Hot Tubs.)

SAVE THESE INSTRUCTIONS

Preliminary Steps:

1. READ ALL INSTRUCTIONS CAREFULLY and get a thorough understanding of what is required to assemble your ST series Filter Pump.
2. Before you begin to assemble the pool, identify, count, and check all parts needed for assembly.
3. It is recommended that you have some PETROLEUM JELLY on hand for lubricating the gaskets.
4. Installer shall follow written instructions provided for operation of the filter pump systems.
5. All electrical components shall be installed in accordance with Article 680 of the National Electrical Code (NEC) "Swimming Pools, Fountains and Similar Installations" or its latest approved edition.
6. The Pump are manufactured by and ETL control number 4000608 and 4006317 - double insulated and grounded - 120V. A.C. - 60 Hz. (ALL Units must have a minimum of 105 V.A.C. to start and run properly.)

SAND PUMP POWER INFORMATION

SAND PUMP MODEL	WATTAGE	AMPERAGE
10" SAND FILTER (WITH CP2000 PUMP)	350 watts	3.0amps
12" SAND FILTER (WITH CP2000 PUMP)	350 watts	3.0amps

PARTS LIST

ITEMS	PARTS NAME	QTY.	ITEMS	PARTS NAME	QTY.
1	Sand Tank Base	1	11	6-Port Valve Drain Outlet Cap	1
			12	Pressure Gauge	1
2	Sand Tank	1	13	Long Hose	2
			14	Short Hose	A) ST1100 12"Hose
B) ST1600 10"Hose					
3	Drain Valve Cap	1	15	Hose Clamp	6
4	Drain Valve O-Ring	1	16	Locking Pin	2
5	Center Pipe	1	17	Pump	1
			18	1.5" Fitting O-Ring	5
6	Sand Guard	1	19	6-Port Valve Drain Outlet Window	1
7	Clamp	1	20	6-Port Valve Handle	1
8	CAM-SHAFT Bolt Cap	1	21	GFCI Power Cord Set	1
9	6-Port Valve O-Ring	1			
10	6-Port Valve	1			


Sand Specifications:

Fill the tank with #20 silica sand. You can purchase the sand from your local home improvement or building material store.

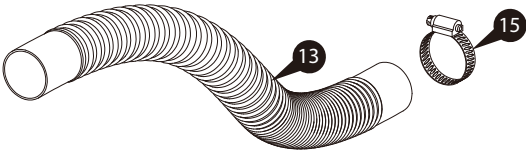
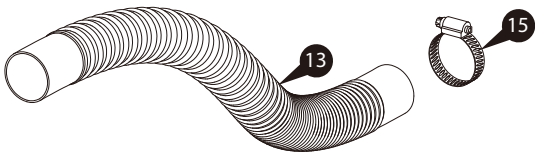
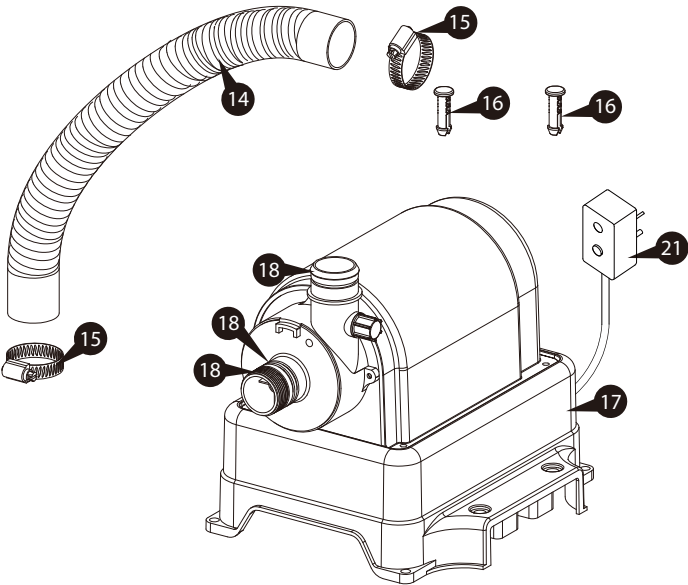
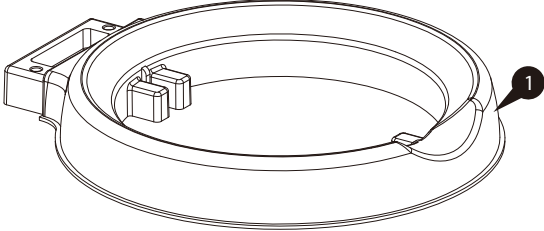
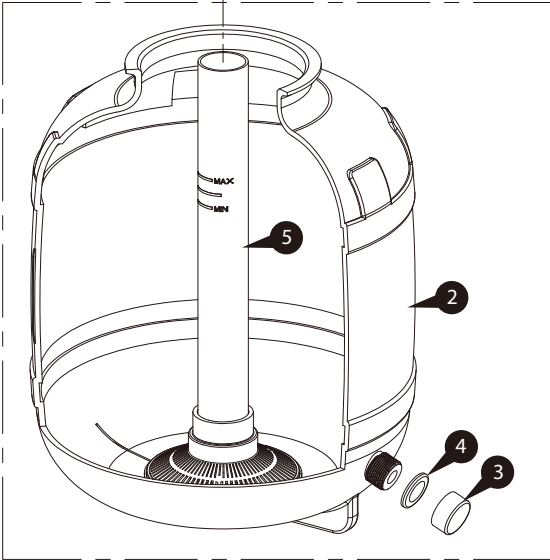
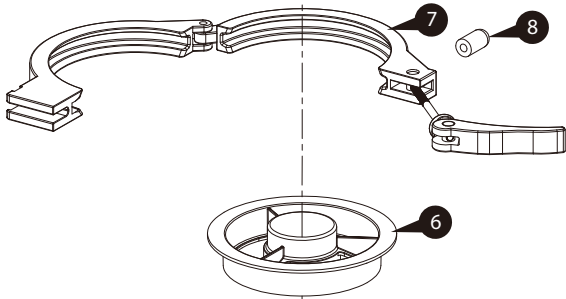
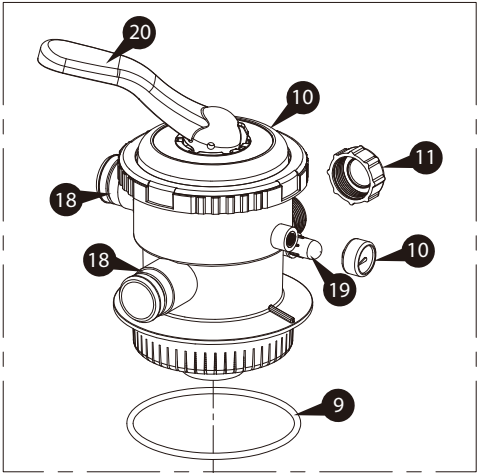


How to use the GFCI plug

Press
"RESET"
Button
To Start
Pump
Operation



***Do not connect
to a timer device**



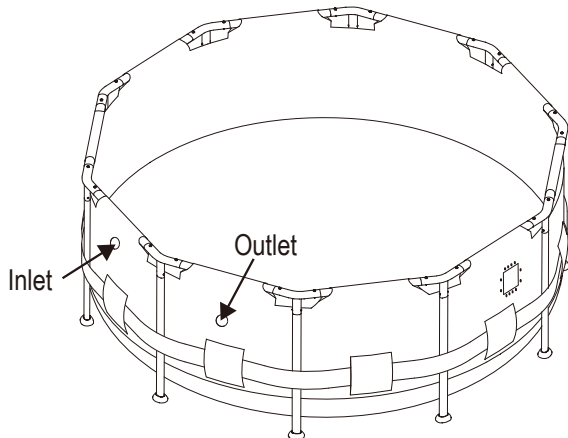


SETUP INSTRUCTIONS

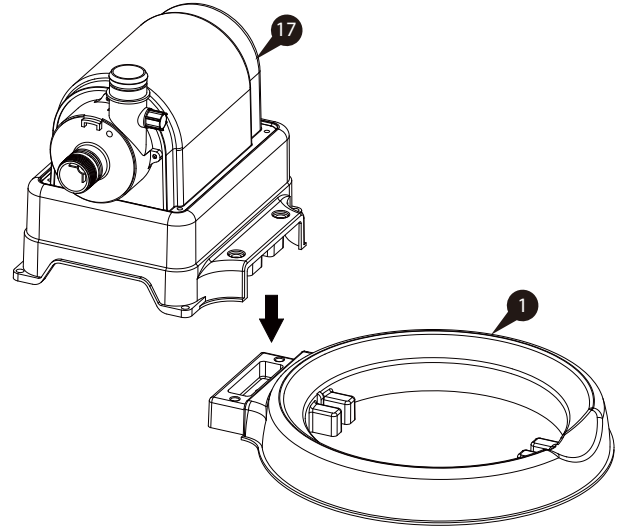
Before assembling your product, please take a few minutes to check the contents and become familiar with all the parts.

⚠ WARNING: POSITION THIS PRODUCT AWAY FROM THE POOL, SO AS TO PREVENT CHILDREN FROM CLIMBING ON IT AND ACCESSING THE POOL.

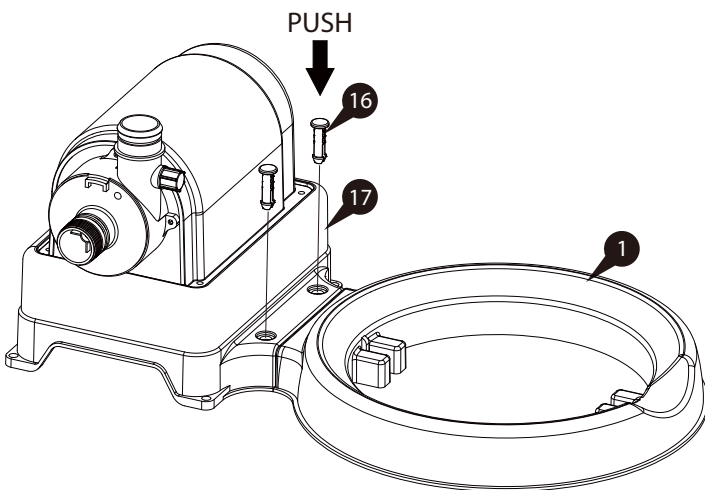
1. Set up the pool by following all instructions comes with the pool. Do not fill water until the Filter Pump is properly installed. Locate the Outlet and Inlet openings on the pool wall.



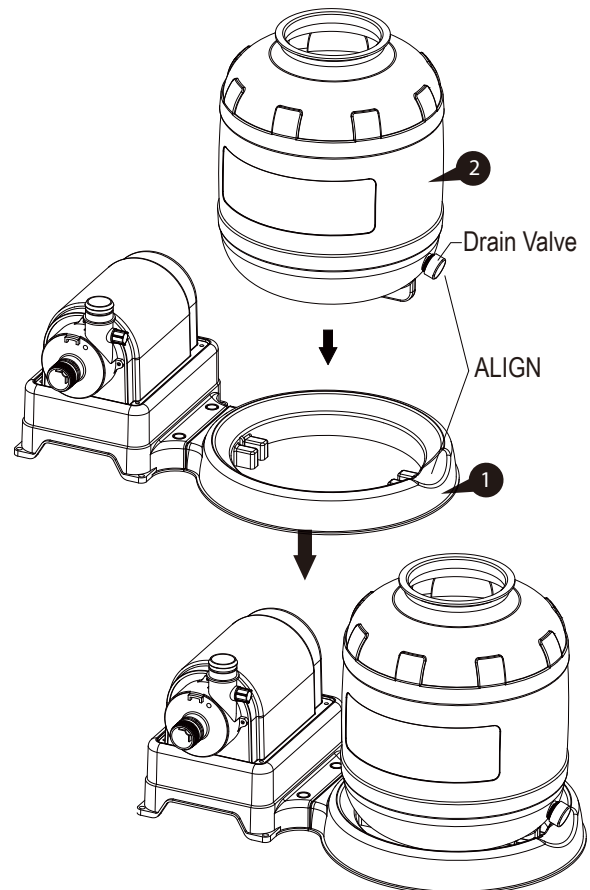
2. Snap the Pump **17** on to the Sand Tank Base **1**



3. Insert and push the Locking Pins **16** all the way down to secure the Pump **17** with the Sand Tank Base **1**

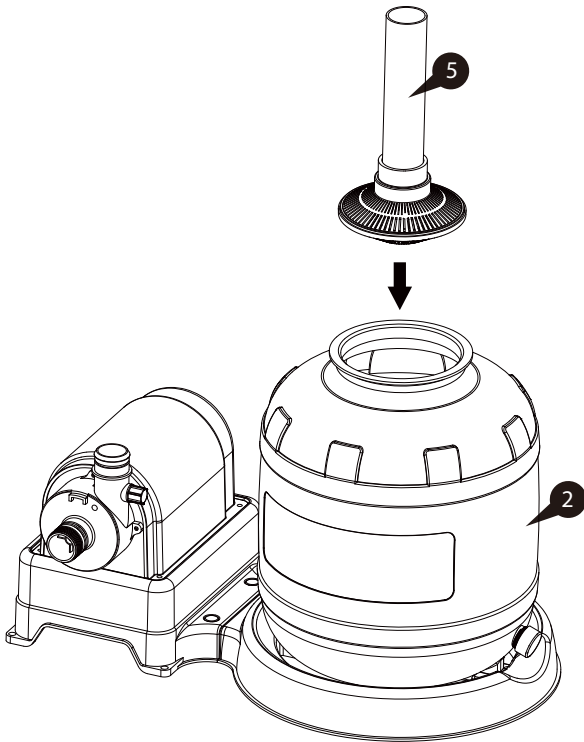


4. With the Drain Valve of the Sand Tank **2** pointing outward. Place the Sand Tank **2** on the Sand Tank Base **1**.

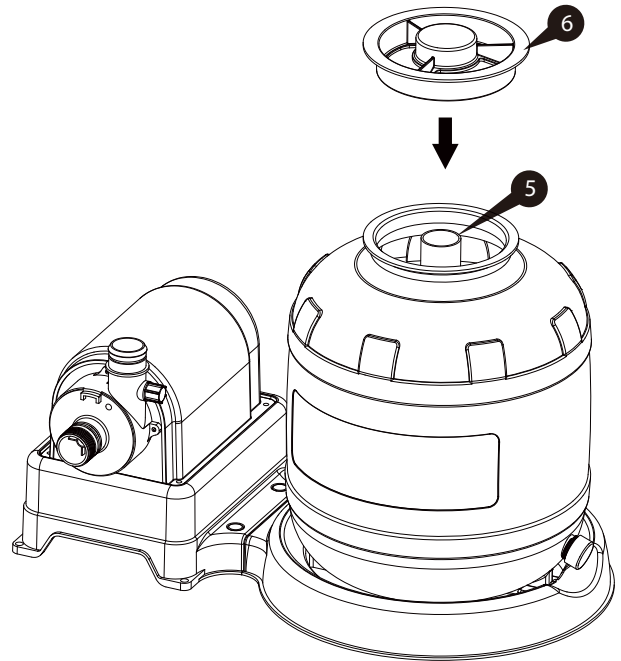




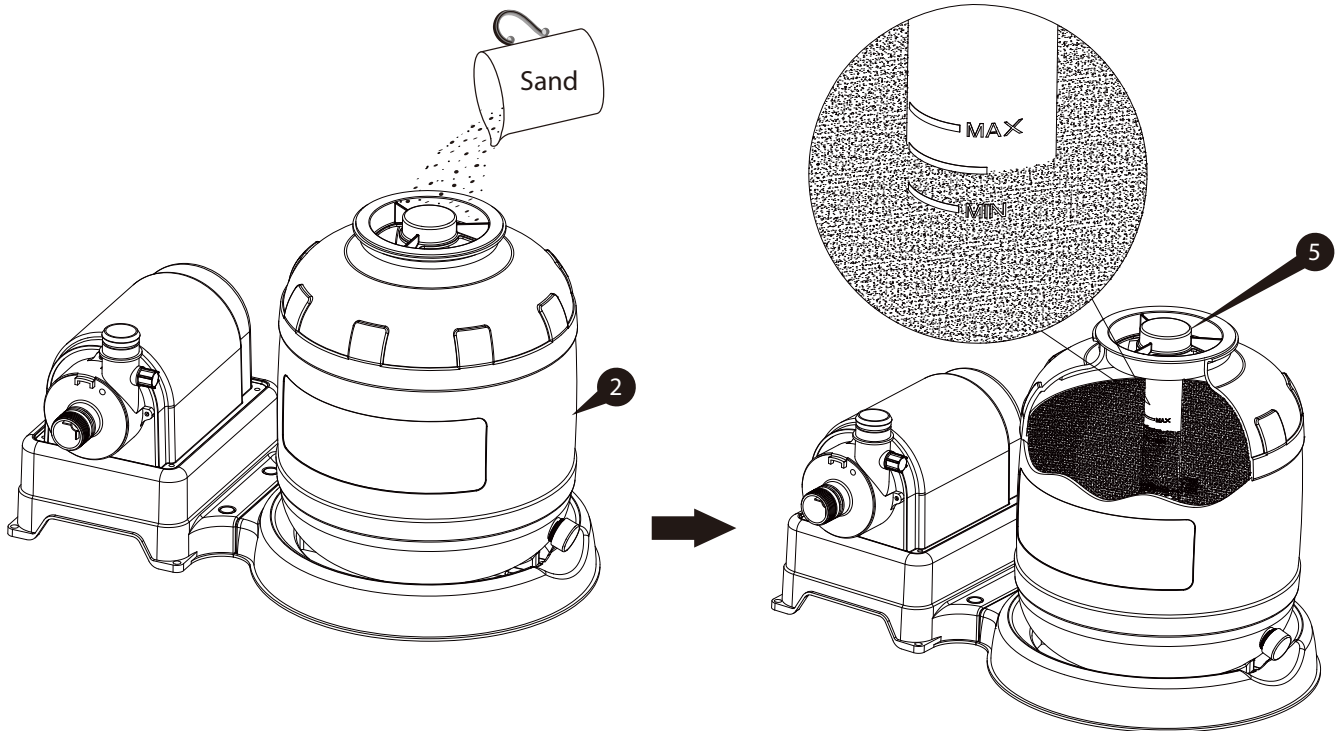
5. Put the Center Pipe **5** inside the Sand Tank **2**. Let the Center Pipe **5** seats at the center of the Sand Tank **2**.



6. Attach the Sand Guard **6** to the top opening of the Center Pipe **5**.

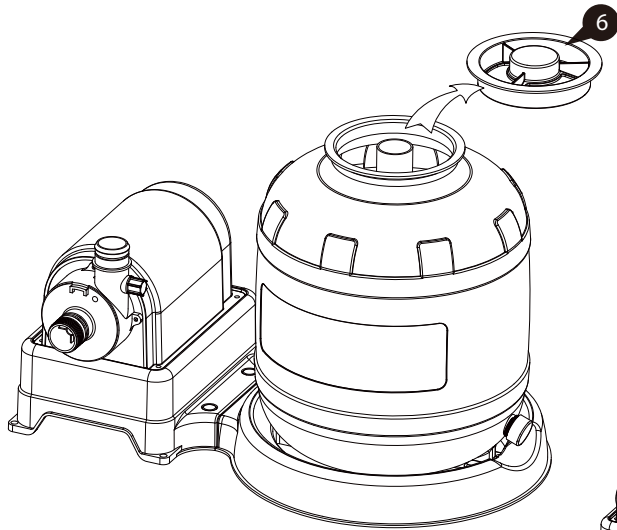


7. Fill the tank with #20 silica sand. You can purchase the sand from your local home improvement or building material store. Slowly pour sand into the Sand Tank **2** until the sand level is between the Min and Max marks on the Center Pipe **5**.

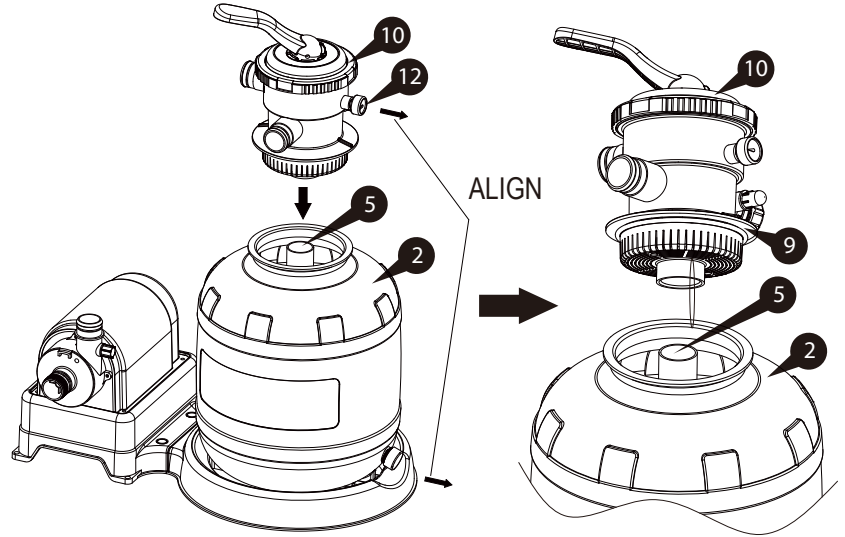




8. Remove the Sand Guard **6** and save for future use.

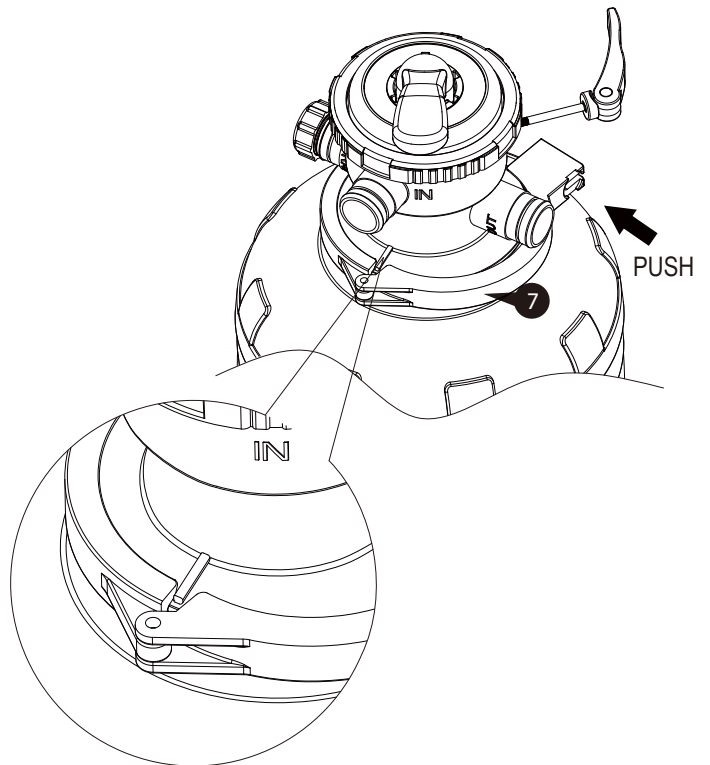
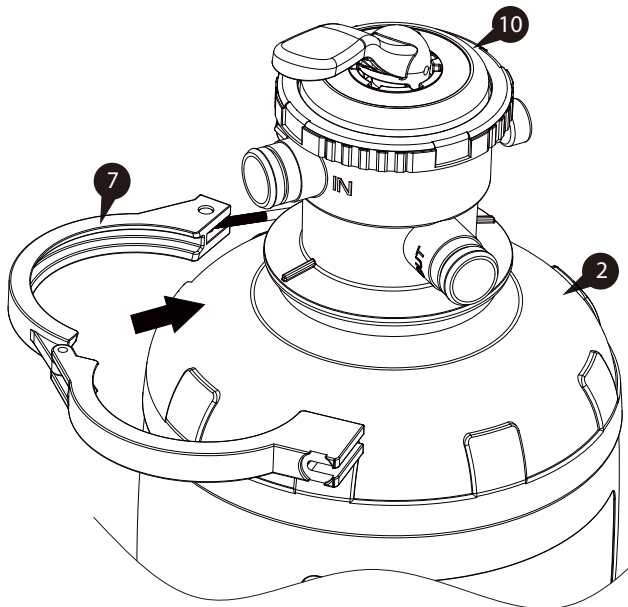


9. Place the 6-Port Valve **10** to the Sand Tank **2**. Make sure the 6-Port Valve O-Ring **9** is present at the bottom flange of the 6-Port Valve **10**. Make sure the center tube extending from the valve fits securely with the Center Pipe **5**. Rotate the 6-Port Valve **10** so that the Pressure Gauge **12** is facing the same direction as the Drain Valve.



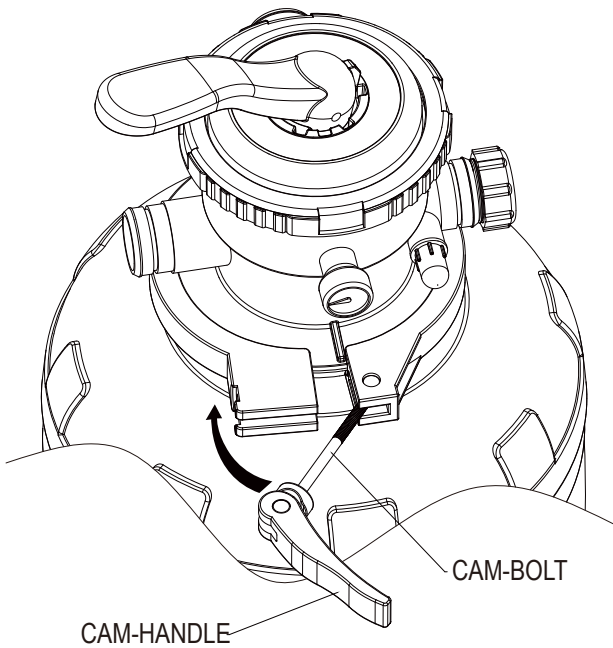
10. Apply the Clamp **7** to the flange of the 6-Port Valve **10** and Sand Tank **2**.

11. Close the Clamp **7** push the 2 jaws as close together as possible.

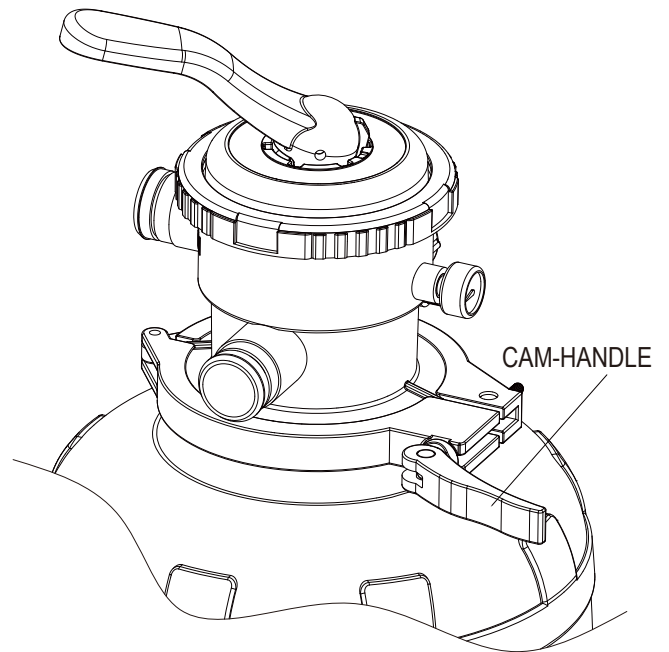




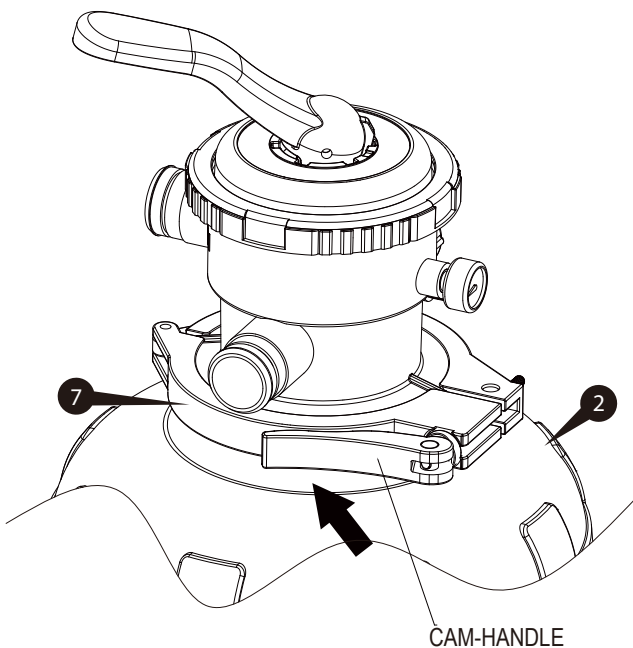
12. Turn the CAM-HANDLE so that the CAM-BOLT is inserted into the slot on the other jaw.



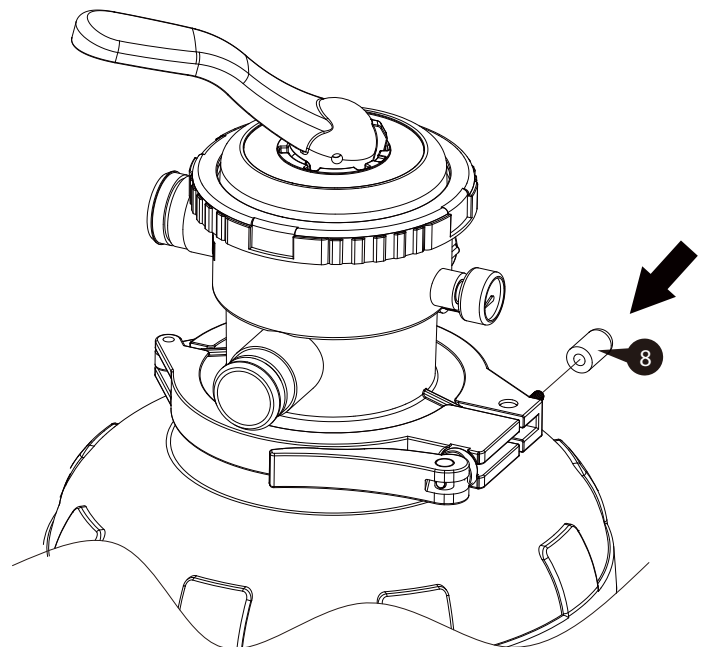
13. Hold the CAM-HANDLE with one hand and start turning in clockwise direction.



14. Continue to turn the CAM-HANDLE to tighten the jaw until no more turns can be made. Align the CAM-HANDLE with the Clamp **7** and push the CAM-HANDLE toward the Sand Tank **2**.

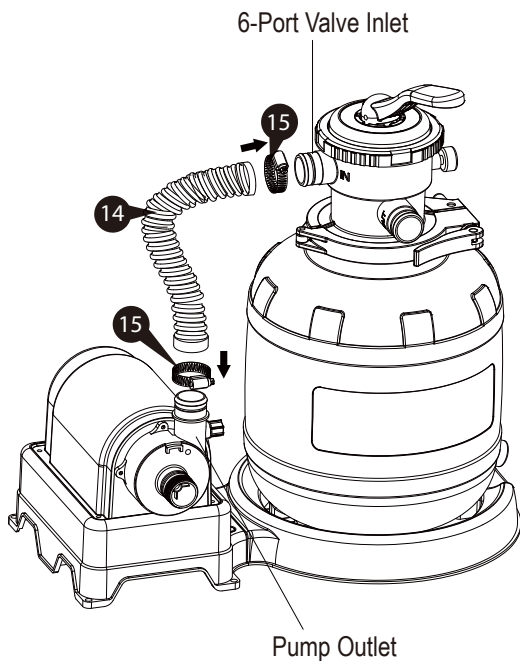


15. Insert the CAM-SHAFT Bolt Cap **8** to the end of the CAM-BOLT.

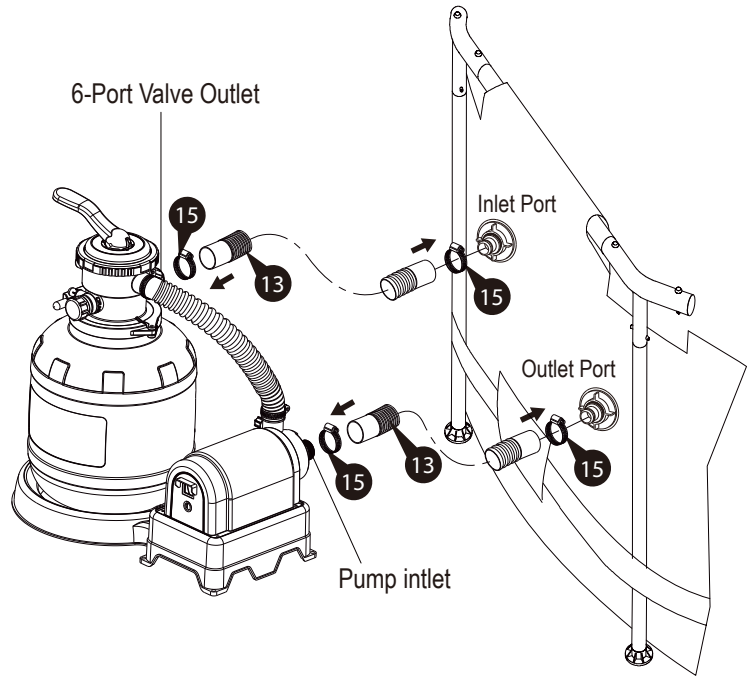




16. Connect the Short hose **14** between the Pump Outlet and the 6-Port Valve Inlet. Tighten the Hose Clamp **15** with a flat blade screwdriver.



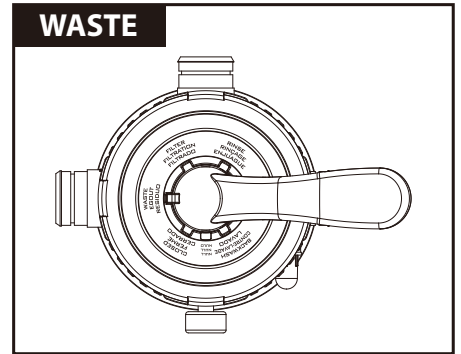
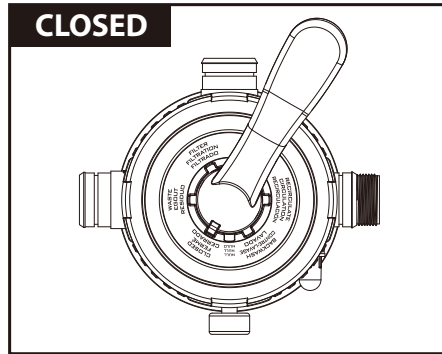
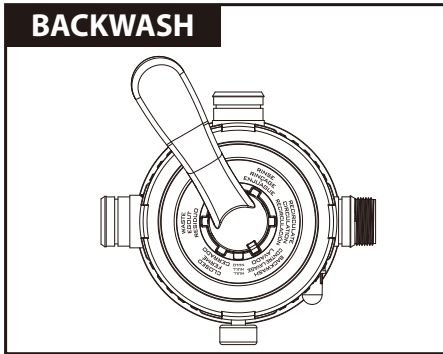
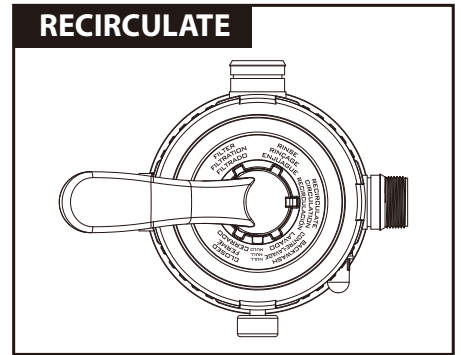
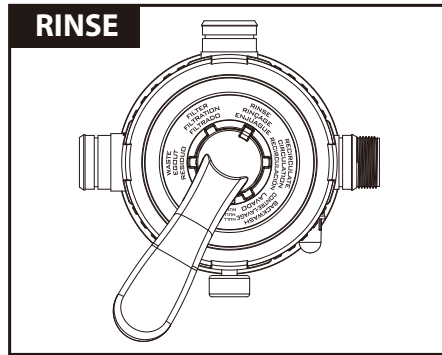
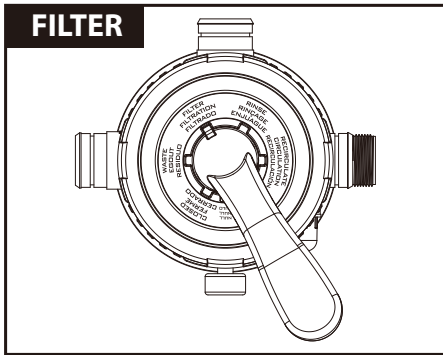
17. The sand filter pump is now fully assembled. Connect the sand filter pump to the pool with the Long Hoses **13** supplied with the pump. Connect the pool Outlet to the Pump Inlet. And tighten the Hose Clamp **15** with a flat blade screwdriver. Connect the 6-Valve Port Outlet to the pool Inlet Port. Tighten the Hose Clamp **15** with a flat blade screwdriver.



OPERATING INSTRUCTION

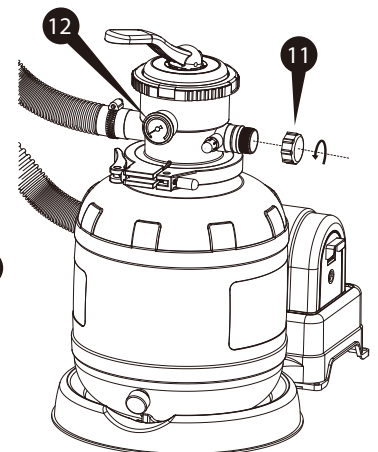
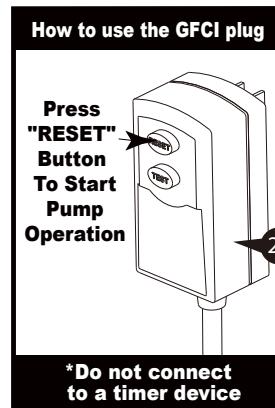
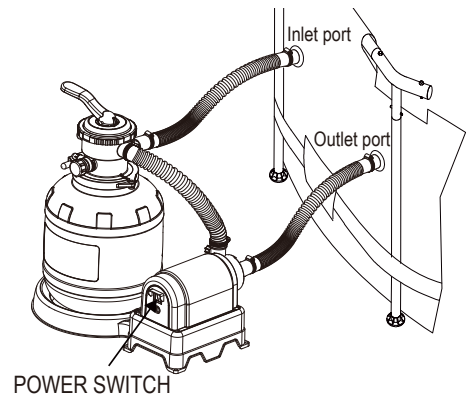
FUNCTIONS OF THE 6-PORT VALVE

VALVE POSITION	FUNCTION	WATER FLOW DIRECTION
FILTER	Normal filtration and regular vacuuming of pool.	Pool > Pump > Sand (Forward) > Pool
BACKWASH	Reverses water flow to clean the sand bed.	Pool > Pump > Sand (Backward) > Drain Outlet
RINSE	For initial startup cleaning of the sand, and leveling the sand bed after backwashing.	Pool > Pump > Sand (Forward) > Drain Outlet
WASTE	For vacuuming directly to the drain outlet, lowering pool level or to drain the pool.	Pool > Pump > Drain Outlet Sand by-passed
RECIRCULATE	For circulating water back to pool without going filtering.	Pool > Pump > Pool Sand by-passed
CLOSED	Shuts off all flow to filter and pool. Never turn on the pump at this "CLOSED" position.	No flow. Never turn on the pump at this "CLOSED" position.



IMPORTANT SAFETY INFORMATION

1. Make sure all the Hoses **13** **14** are secured to the fittings on the pump and pool.
2. Always press down the 6-port Valve Handle **20** before switching position.
3. Always turn off the pump power when switching position.
4. It is critical to the backwash the sand before using the pump to clean the pool water. This will prevent fine sand to flow into the pool and also wash off any dirt or debris within the sand.
5. Make sure the power switch is at the "OFF" position. Plug the GFCI Power Cord Set **21** to a grounded power outlet.
6. **IMPORTANT:** To stand the filter pump, press the RESET button on the GFCI Power Cord Set **21**.
7. Fill the pool until the water level reaches the pool fill line.
8. Follow the following steps to BACKWASH the sand before first use:
 - Remove the 6-Port Valve Drain Outlet Cap **11** from the 6-Port Valve **10**. (Optionally, a 1.5" [38mm] hose can be connected to the drain port to direct the waste water to a nearby drain.)
 - Press down the 6-Port Valve Handle **20** and turn to the "BACKWASH" position.
 - Turn on the power of the Pump **17**.
 - Pool water is now circulating backward through the sand bed to the drain outlet. Continue BACKWASH until the drain water becomes clean and clear.
 - Turn off the Pump **17** and switch the handle to the "RINSE" position. Turn on the Pump **17** for ONE minute, this will clean up and level out the sand bed. Turn off the Pump **17** when done.
9. To start filtering the pool, turn the 6-Port Valve Handle **20** to the "FILTER" position and then switch on the Pump **17**. Record down the sand tank pressure ready from the Pressure Gauge **12**. This reading indicates the initial tank pressure when the sand bed is clean.
10. BACKWASH the tank when the pressure is 1-1.5 bar (14.5 - 21.8 Psi) above the initial pressure. Or, BACKWASH the sand filter once every TWO weeks to maintain water cleanliness.





PUMP MOTOR PROTECTION

IMPORTANT! Your filter pump is protected by a thermal switch. The switch senses the temperature of the filter pump. If it gets too hot, the switch will stop the pump from running until it cools off. It will automatically turn back on when the filter pump has cooled down. This is a safety device to prevent pump damage and prolong service life. If your pump is automatically turning off, it is because of high pool water temperature and/or low water flow through the pump. If this happens you need to check the water flow and correct it if needed, as this filter pump uses the water flow for cooling. You may also want to run the pump at night when the temperature is lower.

POOL MAINTENANCE

1. BACKWASH the sand bed when the pressure reading is 1-1.5 bar (14.5 - 21.8 Psi) above the initial pressure; or, BACK WASH the sand bed at least once TWO weeks.
2. Discard all the sand at the end of the season, wash the pump components, sand tank and 6-port valve thoroughly with fresh water before storage. Fill up with new sand at the beginning of the swimming season.
3. Check and adjust pH and chlorine levels daily using required chemicals. See below Section of "POOL WATER CARE".
4. Check filter pump output daily. If flow is reduced, see below Section of "TROUBLE SHOOTING GUIDE".
5. Check filter pump, hoses, fitting for leaks. If a leak is found, see below Section of "TROUBLE SHOOTING GUIDE".
6. Check seams in pool periodically. Minor repairs may be made with the repair patch kit (supplied with pool). Additional patches are available from or your local pool supply store.

POOL WATER CARE

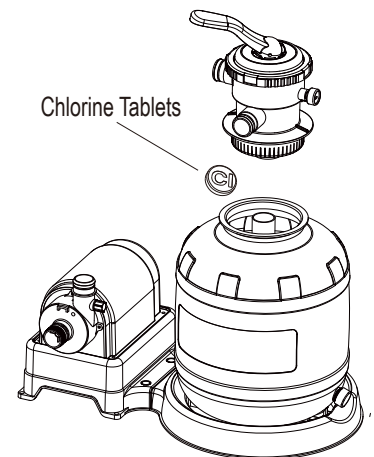
1. The following items are required and readily available from your local pool supply store:
 - TEST KIT - Used to check chlorine and pH levels.
 - 1" CHLORINE TABLETS - Used to disinfect pool water and help control the growth of algae.
 - pH CONTROL CHEMICALS - Used to adjust pH levels Up (Soda Ash) or Down (Acid).
 - ALGAECIDES - Used to eliminate algae.
 - SUPERCHLORINATOR - Used to destroy combined chlorine, ammonia, nitrogen, and organic compounds.
 - LEAF NET with handle - Used to remove leaves, trash, insects, etc. from pool.
 - CHLORINE DISPENSER (available in most pool supply store).
2. Use test kit daily to check pH and chlorine levels. Adjust accordingly using the required chemicals.
NOTE: Excessive levels of chlorine or low pH levels will damage pool liner.
3. The pool can be cleaned using a garden hose powered vacuum from or a pool supply store.
4. Using a foot bath near the pool to wash off your feet prior to entering the pool will assist in keeping the pool clean.
5. Well water often presents special problems with water chemistry. If you must use well water, take a sample to your local pool chemical supplier for analysis before adding ANY chemicals.
6. Refer to the POOL's USER MANUEL for the capacity of your pool. You will need this information to determine the amount of chemicals you will need to correct the pool water.

- NOTE:** It is recommended to use a 5 gallon bucket of water to mix and dissolve your chemicals and then applying directly to the pool water. Follow manufacturers label directions on all chemicals.
- Most pool supply stores will test your pool water for free and advise you of what chemicals you need, and the correct amount to use for your pool. You will need to tell them the pool capacity in gallons.
7. **IMPORTANT:** We cannot over-stress the importance of proper and adequate daily chemical treatment. Chlorine and pH levels must be properly maintained at all times. PUMP AND FILTER ALONE WILL NOT PREVENT ALGAE FROM GROWING IN POOL WATER; THIS CAN ONLY BE DONE BY MAINTAINING PROPER CHLORINE AND pH LEVELS AT ALL TIMES.
 - Maintain pH level between 7.3 and 7.8.
 - Maintain chlorine level between 1.0 and 1.6 ppm (parts per million).
 - Superchlorinate your pool at least every other week.

NOTE:

1. Hot weather/heavy use may require pH and chlorine levels to be maintained on the upper side of the scale and superchlorination of the pool every week.
2. Using a pool cover and/or solar cover will assist in maintaining your pH and chlorine levels by reducing the amount of evaporation from your pool.

CAUTION: Concentrated chlorine levels and low pH levels will damage pool. You must follow the instructions for the pool chemicals you use, as to quantity and recommended usage. NEVER drop lumps or pellets of chemicals in pool; this may present a hazard to swimmers and/or damage your liner.





TROUBLESHOOTING GUIDE

⚠ WARNING: UNPLUG THE POWER CORD BEFORE TROUBLESHOOTING THE FILTER PUMP.

PROBLEM	CAUSE	SOLUTION
1 Pump motor fails to start	A The motor is not plugged in. Or GFCI not activated	A GFCI power cord must be plugged into a grounded power outlet.
	B Low voltage	B Check the line voltage, it must be in the range of 105 to 125V.
	C GFCI plug and/or circuit breaker tripped	C Reset the GFCI plug and/or circuit breaker. If problem persists, have the circuit checked by a qualified electrician.
	C Motor too hot and overload protection is shut off.	D Let the motor cool down and restart again.
2 Sand filter doesn't clean pool	A Improper chlorine or pH levels	A Adjust the chlorine and pH level. Consult your local swimming pool supply stores.
	B No filtering media in tank.	B Load with filter sand, see "sand loading instructions".
	C Wrong 6-way valve setting position.	C Set valve to "FILTER" position.
	D Excessively dirty pool.	D Operate the filter for longer periods.
	E Obstructed pool outlet fitting is restricting the water flow	E Clean the strainer at the pool outlet fitting
3 Sand filter doesn't pump water or flow is very slow	A Clogged inlet or discharge.	A Clear any obstructions in the pool outlet fitting and outhouse intake hose.
	B An air leak on the intake line.	B Tighten hose clamps, check hoses for damage and check pool water level.
	C Sand media clogged with dirt.	C Backwash the sand bed more frequently.
	D Crusting or caking on the filtering sand surface.	D Replace about 1" (25mm) of sand. Replace all the sand if problem persists.
	E Pool vacuuming device attached to the system.	E Remove any pool vacuuming device attached to the system line.
4 Pump doesn't Work	A Low water level.	A Fill pool to correct water level.
	B Strainer screen clogged up.	B Clean strainer screens at pool inlet.
	C An air leak on the intake hose.	C Tighten hose clamps, check hose for damage.
	D Faulty motor or the impeller is jammed.	D Contact Customer Service.
5 6-way valve/ cover leaking	A Sand tank o-ring missing.	A Remove 6-way valve and ensure the o-ring is in present.
	B Sand tank o-ring dirty.	B Clean sand tank o-ring with garden hose water.
	C Hose clamps not tight.	C Tighten the hose clamps.
	D 6-port valve damage.	D Contact Customer Service.
6 Hose leaking	A Hose clamps not securely tight.	A Tighten/reinstall hoses clamp.
	B Hose connection fitting o-ring missing.	C Ensure o-ring is in place and not damaged.
7 Pressure gauge doesn't Work	A Clogged inlet of the pressure gauge.	A Clear any obstructions in the intake by unscrewing it from the 6-port valve.
	B Pressure gauge damage.	B Contact Customer Service.
8 Sand is flowing back into the pool	A Sand is too small.	A Use only No.20 silica sand with particle size range 0.45 to 0.85mm (0.018 to 0.033 inches) and a Uniformity Coefficient less than 1.75.
	B Sand bed is calcified.	B Discard all the used sand and replace with new sand.



REPLACEMENT PARTS ORDERING INFO

Key#	Description	ST1100	ST1600
		PART #	PART #
1	Sand Tank Base	P58PP2884A09	P58PP1782E09
2	Sand Tank	P58000001W05	P58000000W05
3	Drain Valve Cap	P58PF0800W05	P58PF0800W05
4	Drain Valve O-Ring	P58PF1731K01	P58PF1731K01
5	Center Pipe	P586402001W1	P586402000W1
6	Sand Guard	P58PF8891P01	P58PF8891P01
7	Clamp	P58897023E09	P58897023E09
8	CAM-SHAFT Bolt Cap	P58PP2021K01	P58PP2021K01
9	6-Port Valve O-Ring	P58135001K01	P58135001K01
10	6-Port Valve	P58PF8880E09	P58PF8880E09
11	6-Port Valve Drain Outlet Cap	P58PF8910E09	P58PF8910E09
12	Pressure Gauge	P58340000000	P58340000000
13	59" Hose	P584150006W1	P584150006W1
14	ST1100 12" Hose	P584150012W1	
	ST1600 10" Hose		P584150010W1
15	Hose Clamp	P5842504500A	P5842504500A
16	Locking Pin	P58PP1759E09	P58PP1759E09
17	Pump	P530C200S8W5	P530C200S8W5
18	1.5" Fitting O-Ring	P58037000K01	P58037000K01
19	6-Port valve Drain Outlet Window	P58PF8960C01	P58PF8960C01
20	6-Port Valve Handle	P58PF8950E09	P58PF8950E09

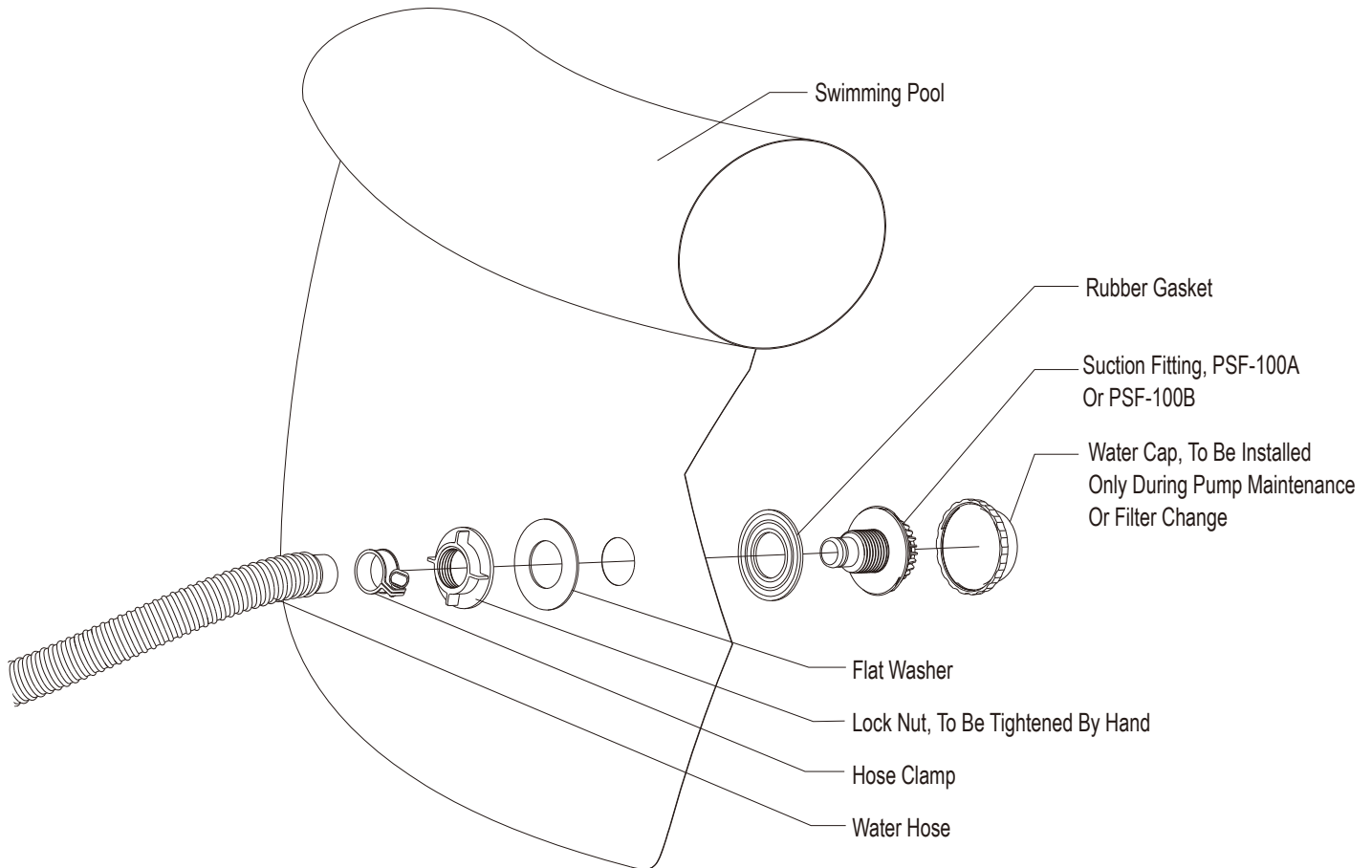
SAND FILTER PUMP DISASSEMBLY & STORAGE

1. First, unplug the GFCI Power Cord **21** of the system.
2. Loosen all Hose Clamps **15**. Remove the Hose **13** **14** and allow water to drain out.
3. Remove Drain Valve Cap **3** from the Sand Tank **2** and allow water to drain out, and the tighter back the Drain Valve Cap **3** onto the drain valve on the Sand Tank **2**.
4. Clear and lubricate all Fitting O-Rings **18** with petroleum jelly and then place the sand filter pump in a safe place.

ASME COMPLIANT SUCTION FITTING INFORMATION

PSF-100A AND PSF-100B SUCTION OUTLET (FOR ABOVE GROUND POOL)

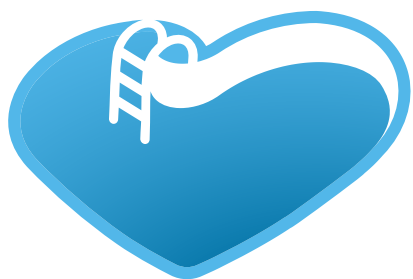
1. PSF-100A and PSF-100B Suction Outlets are certified by IAPMO in accordance with the ASME/ANSI A112.19.8b-2009 Suction Fitting for use in Swimming Pools, Wading Pools, Spas, and Hot Tubs.
2. This is a submerged suction outlet for use with above ground swimming pool.
3. For single drain only. Use only ONE outlet for each pump.
4. Do not locate this suction outlet on sitting areas or on the backrest for such seating area.
5. Install this outlet at location recommended by the pool manufacturer.
6. The maximum allowable flow rate of this suction outlet is 45 gallon per minute (2,700 gallonper hour).
7. Connection Hose:
 - Model PSF-100-A is to be connected with 1 1/4" (31.8mm) diameter hose.
 - Model PSF-100-B is to be connected with 1 1/2" (38.1mm) diameter hose.
8. The suction outlet is to be mounted at the suction outlet opening as specified by the manufacturer of the above ground pool. The diameter of this opening should be within the range of 1.77" to 1.85" (45.0mm to 47.0mm). Refer to the following diagram for detail assembly instructions:



9. The suction outlet PSF-100A or PSF-100B is to be replaced every 5 years.
10. No tool is required for installation.
11. Service and Winterizing Instructions

CAUTION! DO NOT EXCEED THE MAXIMUM ALLOWABLE FLOW RATE:

1. 45 Gallon per minute (2,700 Gallon per hour).
2. Carefully observe and inspect the suction outlet for damage and tampering before each use of the pool.
3. Missing, broken or cracked suction outlet must be replaced before using the pool.
4. Loose suction fitting should be reattached or replaced before using the pool.
5. Remove and store Suction Outlet assembly if temperatures are expected to fall below 32° F.



BSVillage


[.com](http://www.bsvillage.com)

PISCINE - WELLNESS - OUTDOOR


www.bsvillage.com

BUSINESS SHOP S.r.l. a Socio Unico
Via della Repubblica n. 19/1 - 42123 Reggio Emilia (RE)
P.Iva e C.F. 02458850357 - Cap. soc. 60.000,00 € i.v.

 www.bsvillage.com

 0522 15 36 417

 info@bsvillage.com

 0522 18 40 494