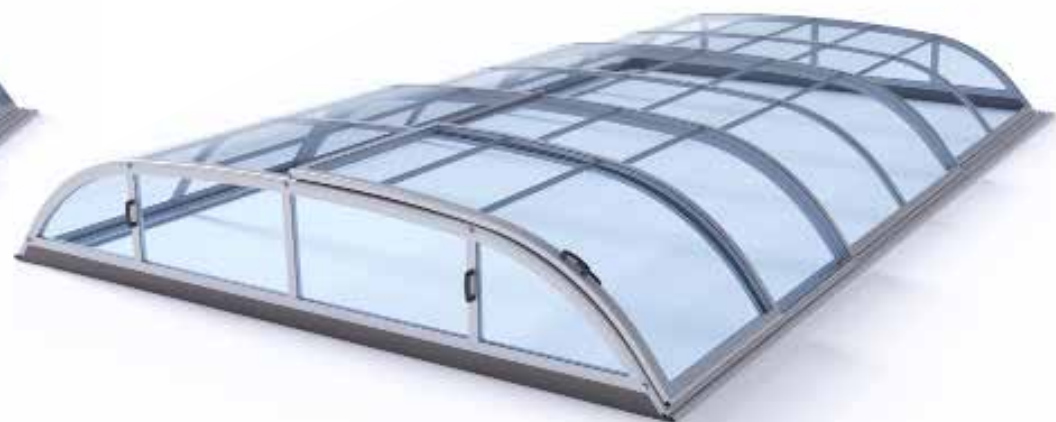


# DALLAS A [PKB 8MM]

# DALLAS A CLEAR [PK 4MM]

# DALLAS MIX

## [V-02]



VERZE: 01. 02. 2021 / REVIZE: 09. 11. 2021



**BG**  
 Използването на басейна е предназначено за използване в ANCOZ - NF P 90-309. Забранява се използването на басейна за целите на спорт, обучение или развлечения, които не са одобрени от компетентните власти.

**CZ**  
 Bazénové zariadenie: lena komerčná. Využitie na účely, ktoré nie sú určené v príslušných zariadeniach musí byť zabezpečené majiteľom.

**DE**  
 Schwimmbadüberdachung: keine Installation. Einrichtungsart ANCOZ Norm - NF P 90-309. Der Zweck der Gestaltung ist die einseitige Schutzüberdachung muss durch den Eigentümer gesichert werden.

**DK**  
 Bædderoverdækning: lena komerčná. I overensstemmelse med ANCOZ - NF P 90-309. Bædderens brug til andre end de i produktets beskrivelse angivne til brug må sikres af sælgeren/mængdeleverandøren.

**ES**  
 Cubierta de piscinas: uso comercial. Construcción en ANCOZ Norm - NF P 90-309. El uso de otros edificios o estructuras adyacentes o alejadas tiene que ser asegurado por el propietario.

**EE**  
 Basseinikattede: kasutukskomerants. Vastavus ANCOZ - NF P 90-309. Järelkasutuseks lubatakse ainult juhul, kui kasutamine on kindlustatud omaniku poolt.

**FR**  
 Hors de piscine: construction usage commercial en norme ANCOZ - NF P 90-309. Aucune des autres structures ou bâtiments adjacents ou éloignés ne doit être assuré par le propriétaire.

**GB**  
 The swimming pool enclosure: usage commercial. Vastavus ANCOZ - NF P 90-309. The enclosure must comply building use, unless the adjacent enclosure has to be secured by owner.

**HU**  
 Medencefedélzetek: kereskedelmi. Építésre ANCOZ - NF P 90-309 alapján. A mellette építendő épületek a közlekedési utakkal határosan kell biztosítani.

**HR**  
 Nadstrešnice bazena: lena komerčná. Vastavus ANCOZ - NF P 90-309. Okolične zgradbe morajo biti zagotovljene za potrebne gradnje, razen tistih, ki so zagotovljene od druge osebe.

**CN**  
 非游泳池用途: 商业用途. 符合 ANCOZ 标准 NF P 90-309. 游泳池旁建造的其他建筑或设施应与游泳池保持安全距离。

**IT**  
 Copertura per piscine: costruzione legale. Vastavus ANCOZ - NF P 90-309. Accanto alle case vicine alle coperture adiacenti o separate, occorre assicurarsi che esse siano sicure dal proprietario.

**LT**  
 Šiluminė vėdinti: tik komercijai. Tinka ANCOZ - NF P 90-309. Toliau šiluminė vėdinti pastatai ar kitos pastatų dalys neturi būti pastatomi šalia šiluminės vėdinimo.

**LV**  
 Bāzēnu jumts: vienlaikus komercijai. Vastavus ANCOZ - NF P 90-309. Pasaules tuvumā esošajiem ēkām vai to daļām jānodrošina drošība no esošajiem citiem šilumtirdzniecības telpām.

**PL**  
 Zadaszenie basenu: lena komerčná. Zbudowa ANCOZ - NF P 90-309. Obiekty i instalacje budowlane do przylegających lub przylegających zabudów muszą zabezpieczyć właścicieli.

**RO**  
 Acoperire pentru piscină: construcție legală. Vastavus ANCOZ - NF P 90-309. Acoperirea din alătele adiacente și separate de piscină trebuie să asigure în siguranță de proprietar.

**RU**  
 Надстройка для бассейна: lena komerčná. Vastavus ANCOZ - NF P 90-309. Постройки, расположенные рядом со строящимся объектом, подлежат обязательному ограждению.

**SE**  
 Pooltak: lena komerčná. I överensstämmelse med ANCOZ - NF P 90-309. Takning för intilliggande byggnader till tillhöriga eller angränsande ska målas säkra av ägaren.

**SL**  
 Nadstrešnica za bazen: lena komerčná. Vastavus ANCOZ - NF P 90-309. Lomki, priležajoče objektom do gradnje, objekti, prisloboči ali priležajoči nadstavitvi.

**SK**  
 Bazénové zariadenie: lena komerčná. Vastavus ANCOZ - NF P 90-309. Príslušné prístupové cesty do prístupových ciest príslušných zariadení musí byť zabezpečené majiteľom.



1SP11-01-032

DIN 7982  
4,8 x 13

16x

1

1SZ12-03-021

12x

2

1SP11-01-029

AN 9051  
6,3 x 50

28x

3

1SZ12-01-015

5x

4

1SP11-01-019

DIN 7976  
6,3 x 38

5x

5

1SZ12-03-020

4x

6

1SP07-01-001

ø4 x 10

60x

7

1SZ12-04-003

1x

8

1SP01-01-016

ø8 x 80

48x

9

1SP07-01-017

ø4 x 14

4x

11

1SZ08-01-102

2x

12

1SP11-01-027

AN 9051  
6,3 x 38

16x

13

1SZ08-01-103

2x

14

1NA03-01-050

1x

17

1CH02-01-011  
1SZ28-01-001

1x

18

1SZ02-01-011

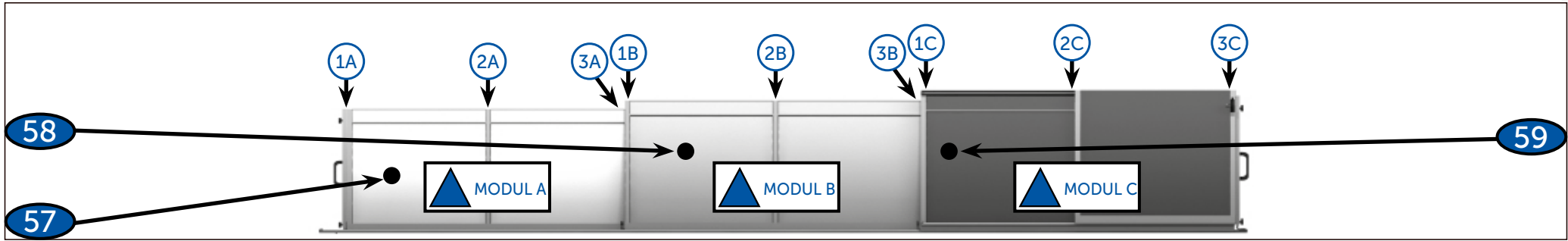
2x

19

1SZ02-01-009

2x

20



MODUL A

- 21 2Z02-06-SM004D-DB 703  
2Z02-06-SM004C-SILVER ELOX
- 22 2Z02-06-SM005D-DB 703  
2Z02-06-SM005C-SILVER ELOX
- 23 2Z02-06-SM006D-DB 703  
2Z02-06-SM006C-SILVER ELOX

1A	1x	21
2A	1x	22
3A	1x	23

MODUL B

- 24 2Z02-06-SM007D-DB 703  
2Z02-06-SM007C-SILVER ELOX
- 25 2Z02-06-SM008D-DB 703  
2Z02-06-SM008C-SILVER ELOX
- 26 2Z02-06-SM009D-DB 703  
2Z02-06-SM009C-SILVER ELOX

1B	1x	24
2B	1x	25
3B	1x	26

MODUL C

- 27 2Z02-06-SM010D-DB 703  
2Z02-06-SM010C-SILVER ELOX
- 28 2Z02-06-SM011D-DB 703  
2Z02-06-SM011C-SILVER ELOX
- 29 2Z02-06-SM012D-DB 703  
2Z02-06-SM012C-SILVER ELOX

1C	1x	27
2C	1x	28
3C	1x	29



2Z04-01-SD001D-DB 703  
2Z04-01-SD001C-SILVER ELOX

1041 mm
28x
<b>36</b>

This block shows a long, thin, silver-colored metal extrusion. A red-bordered inset in the top left shows a close-up of the extrusion's profile, which has a flat top and a small lip on the side. A red arrow points from this inset to the main product image.

2Z01-01-SD003

<b>A</b>
3230 mm
2x
<b>40</b>

This block shows a long, thin, silver-colored metal extrusion. Two red-bordered insets are present: one on the left shows a close-up of the extrusion's profile with a textured surface, and one on the right shows a close-up of the extrusion's end profile. Red arrows point from these insets to the main product image.

2Z01-01-SD005

<b>D</b>
3230 mm
2x
<b>46</b>

This block shows a long, thin, silver-colored metal extrusion. Two red-bordered insets are present: one on the left shows a close-up of the extrusion's profile with a textured surface, and one on the right shows a close-up of the extrusion's end profile. Red arrows point from these insets to the main product image.

2Z01-01-SD002

3230 mm
12x
<b>48</b>

This block shows a long, thin, silver-colored metal extrusion. A red-bordered inset on the right shows a close-up of the extrusion's end profile, which has a curved top and two small protrusions. A red arrow points from this inset to the main product image.



**MODUL C**

2Z02-02-SR015D-DB 703  
2Z02-02-SR015C-SILVER ELOX

1x  
**50**

**MODUL C**

2Z02-02-SR014D-DB 703  
2Z02-02-SR014C-SILVER ELOX

1x  
**51**

**MODUL B**

2Z02-02-SR013D-DB 703  
2Z02-02-SR013C-SILVER ELOX

1x  
**52**

**MODUL B**

2Z02-02-SR012D-DB 703  
2Z02-02-SR012C-SILVER ELOX

1x  
**53**



MODUL A

2Z02-02-SR010D-DB 703  
2Z02-02-SR010C-SILVER ELOX

1x

54

MODUL A

2Z02-02-SR011D-DB 703  
2Z02-02-SR011C-SILVER ELOX

1x

55

2Z02-06-DK010-PKB8, MIX  
2Z02-08-DK010-CLEAR

OUT

MODUL A

2x

57

4145 x 1050 mm

2Z02-06-DK011-PKB8, MIX  
2Z02-08-DK011-CLEAR

OUT

MODUL B

2x

58

4345 x 1050 mm

2Z02-06-DK012-PKB8, MIX  
2Z02-08-DK012-CLEAR

OUT

MODUL C

3x

59

2267 x 1050 mm

2Z02-06-DK009-PKB8, MIX  
2Z02-08-DK009-CLEAR

OUT

MODUL

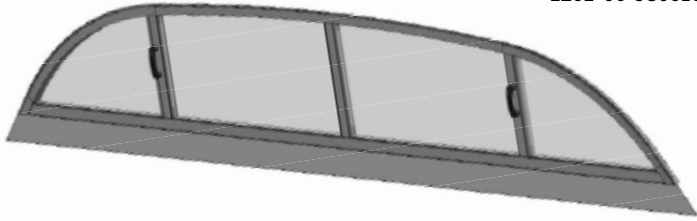
1x

60

2220 x 1050 mm



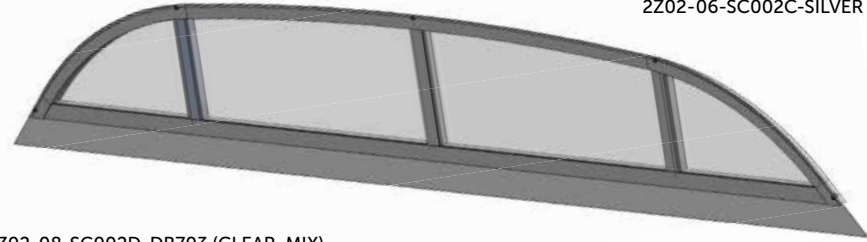
2Z02-06-SC001D-DB703 (PKB8)  
2Z02-06-SC001C-SILVER ELOX (PKB8)



1x  
**61**

2Z02-08-SC001D-DB703 (CLEAR, MIX)  
2Z02-08-SC001C-SILVER ELOX (CLEAR, MIX)

2Z02-06-SC002D-DB703 (PKB8)  
2Z02-06-SC002C-SILVER ELOX (PKB8)



1x  
**62**

2Z02-08-SC002D-DB703 (CLEAR, MIX)  
2Z02-08-SC002C-SILVER ELOX (CLEAR, MIX)



1x  
**63**



2Z02-06-SB003D-DB 703  
2Z02-06-SB003C-SILVER ELOX

1x  
**69**

2Z02-06-SB002D-DB 703  
2Z02-06-SB002C-SILVER ELOX

1x  
**70**

2Z03-01-SD014D-DB 703  
2Z03-01-SD014C-SILVER ELOX

1x  
2150 mm **71**

2Z03-01-SD013D-DB 703  
2Z03-01-SD013C-SILVER ELOX

1x  
2150 mm **72**





2Z05-01-SD002D-DB 703  
2Z05-01-SD002C-SILVER ELOX

2x  
**73**

2Z02-02-SR009D-DB 703  
2Z02-02-SR009C-SILVER ELOX

2x  
**74**

1SZ12-02-006

KEY

2x  
6,3 x 38

1x  
**75**

2Z03-01-SD005D-DB 703  
2Z03-01-SD005C-SILVER ELOX

2150mm

2x  
**76**

1SP11-01-024

AN 9051  
6,3 x 19

10x  
**77**

1SZ12-02-001

2x  
6,3 x 25

1x  
**78**

1TS04-01-001

2150mm

2x  
**79**

1TS06-01-008

1012mm

2x  
**80**

1TS03-01-007

2254mm

2x  
**81**

1SZ18-01-097

4x  
**82**

1SP07-01-014

ø4x8

8x  
**83**

2Z02-08-DO001

4145 mm	4x
1 030 mm	4x

MODUL A

92

Detailed description: This diagram shows a component with two horizontal bars at the top. Below them, a scissors icon is crossed out with a red 'X', and a grey arrow icon points upwards. A table on the right lists dimensions: 4145 mm (4x) and 1 030 mm (4x). A blue triangle icon with 'MODUL A' is in the bottom left, and the number '92' is in a blue box in the bottom right.

2Z02-08-DO002

4345 mm	4x
1 030 mm	4x

MODUL B

93

Detailed description: This diagram shows a component with two horizontal bars at the top. Below them, a scissors icon is crossed out with a red 'X', and a grey arrow icon points upwards. A table on the right lists dimensions: 4345 mm (4x) and 1 030 mm (4x). A blue triangle icon with 'MODUL B' is in the bottom left, and the number '93' is in a blue box in the bottom right.

2Z02-08-DO003

2267 mm	6x
1 030 mm	6x

MODUL C

94

Detailed description: This diagram shows a component with two horizontal bars at the top. Below them, a scissors icon is crossed out with a red 'X', and a grey arrow icon points upwards. A table on the right lists dimensions: 2267 mm (6x) and 1 030 mm (6x). A blue triangle icon with 'MODUL C' is in the bottom left, and the number '94' is in a blue box in the bottom right.

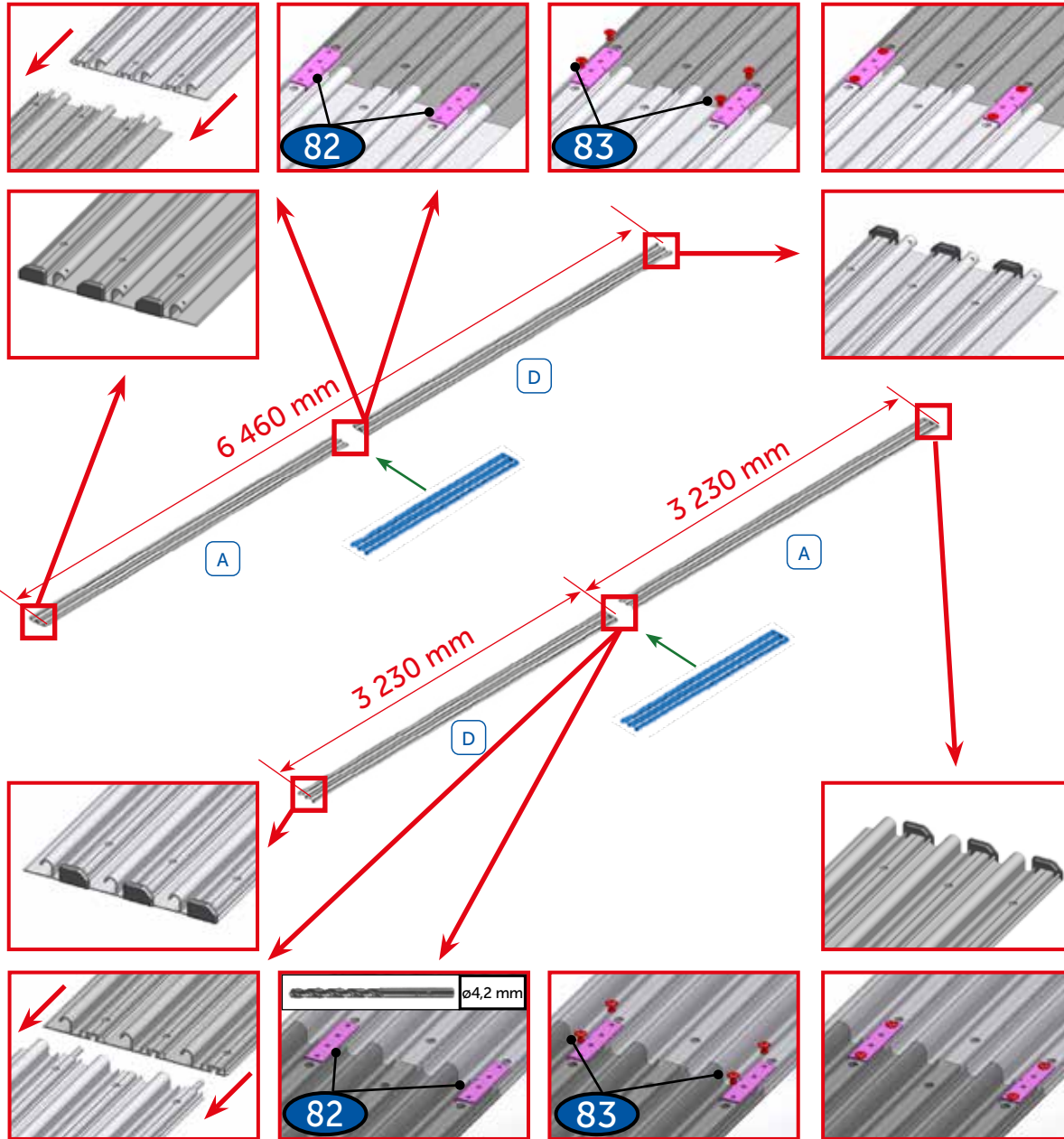
2Z02-08-DO004

2220 mm	2x
1 030 mm	2x

MODUL

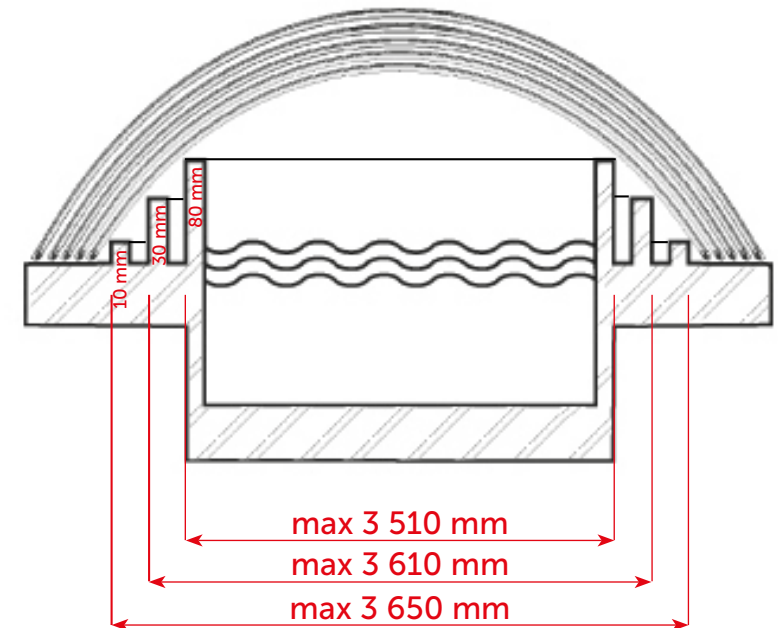
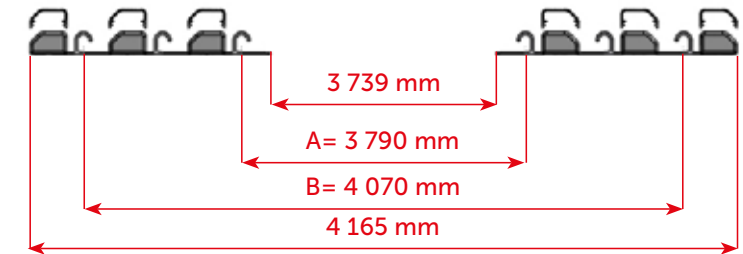
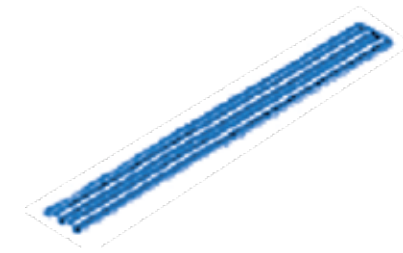
95

Detailed description: This diagram shows a component with two horizontal bars at the top. Below them, a scissors icon is crossed out with a red 'X', and a grey arrow icon points upwards. A table on the right lists dimensions: 2220 mm (2x) and 1 030 mm (2x). A blue triangle icon with 'MODUL' is in the bottom left, and the number '95' is in a blue box in the bottom right.

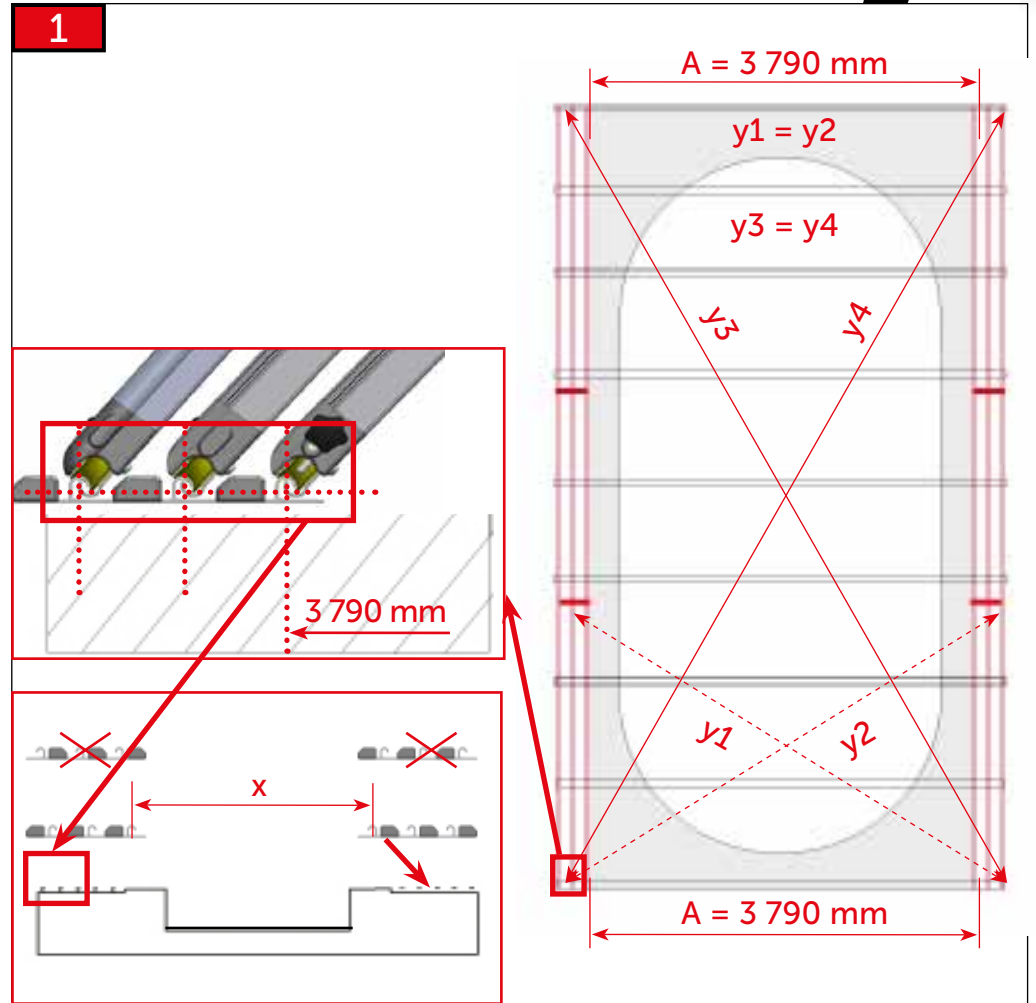
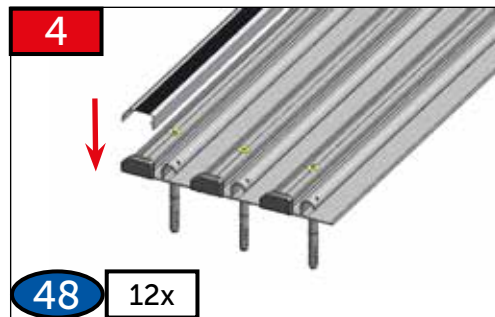
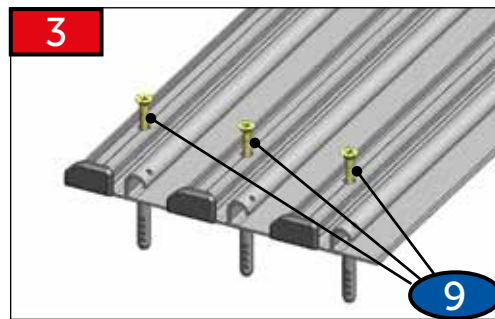
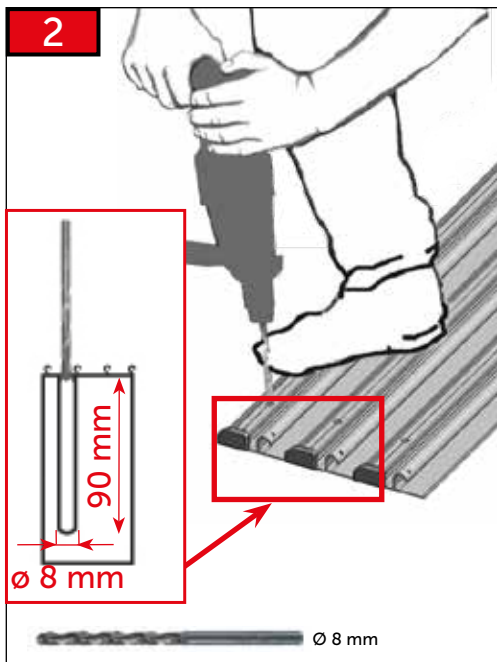
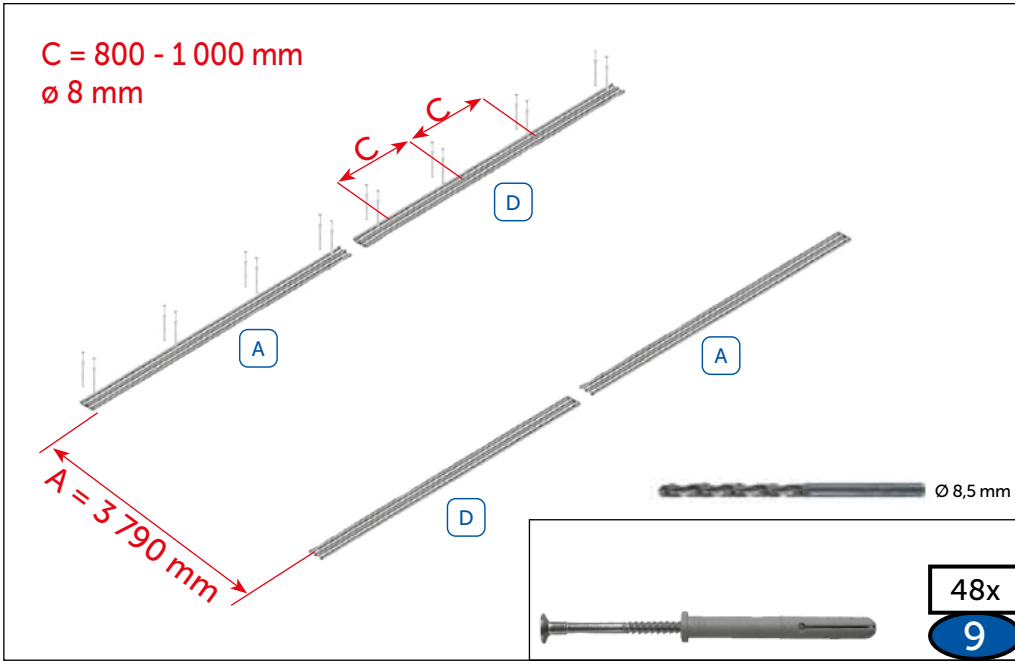


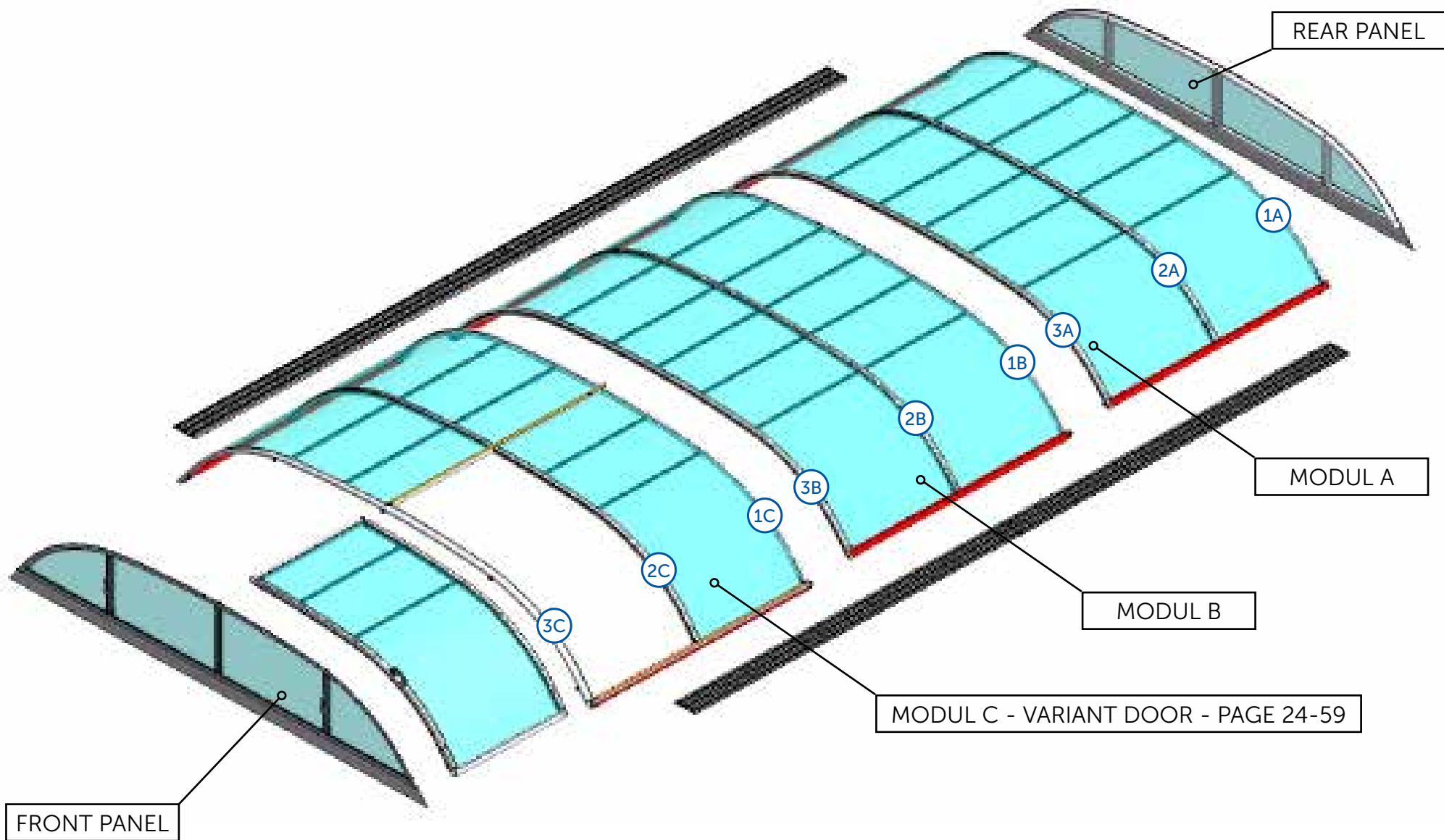
### OPTIONAL

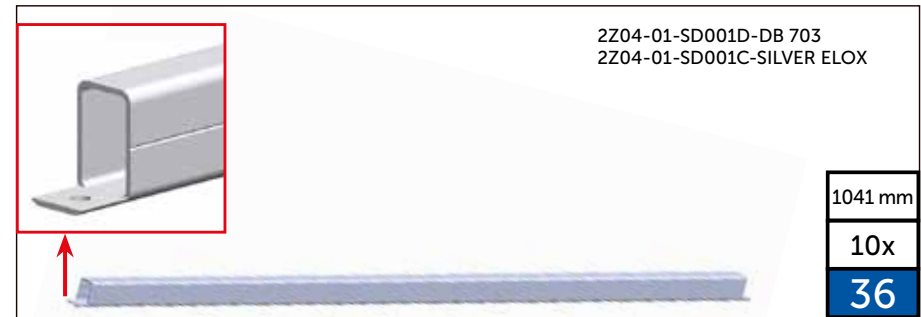
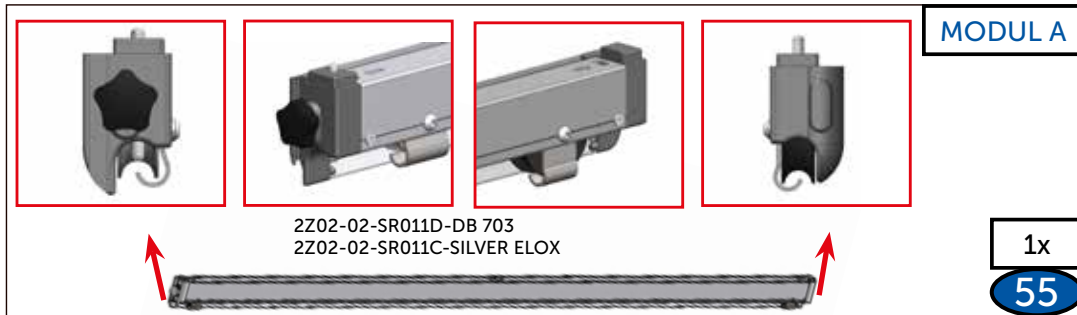
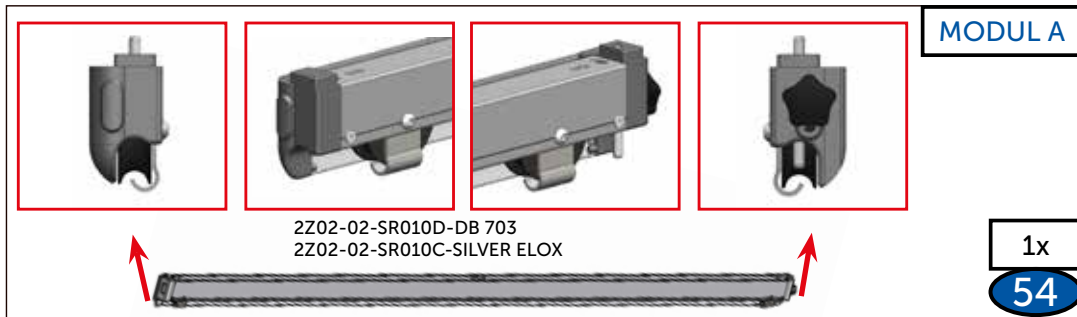
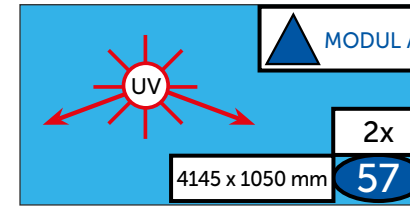
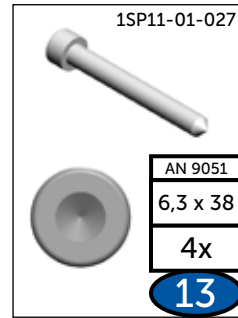
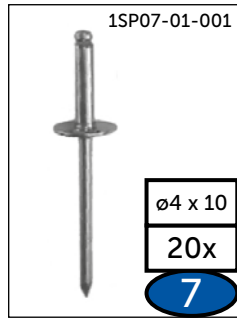
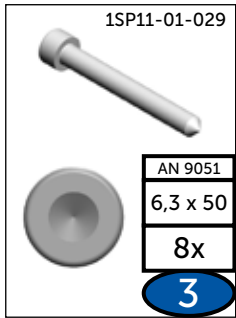
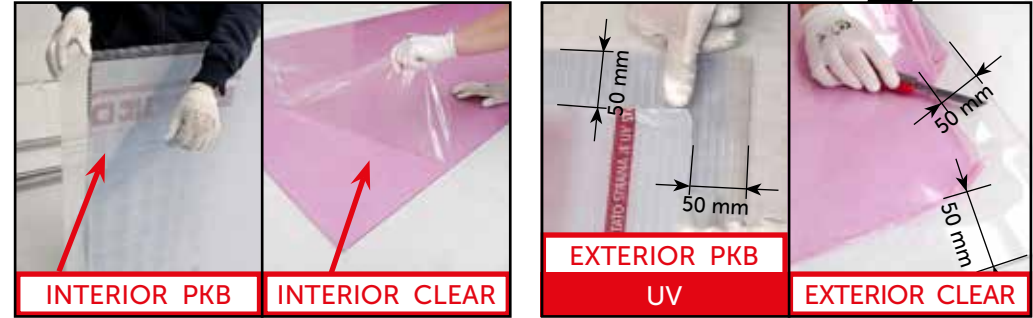
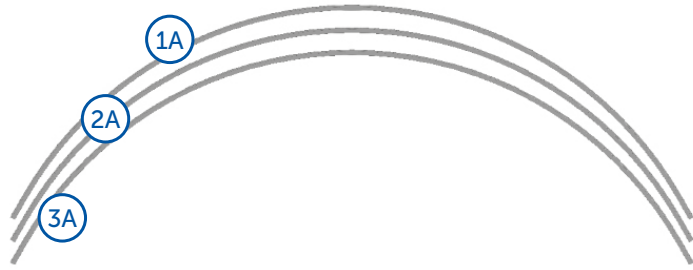
Prodloužení kolejí  
 Rail extension  
 Schienenverlängerung  
 Prolongement de rails  
 Ríales prolongados  
 Продолжение рельсов

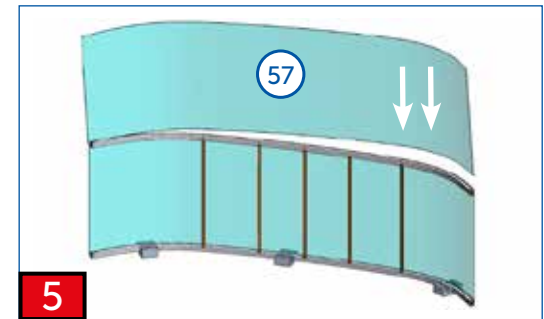
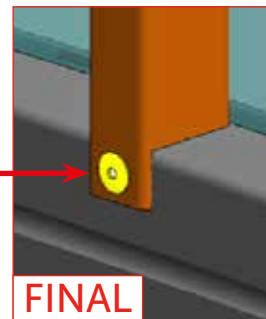
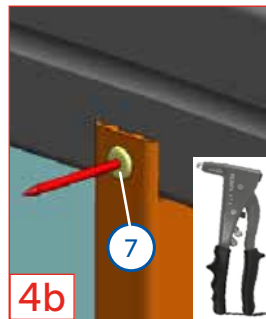
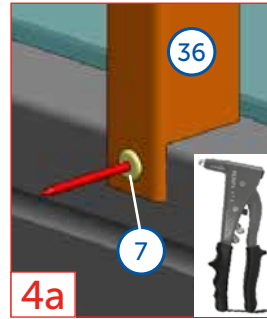
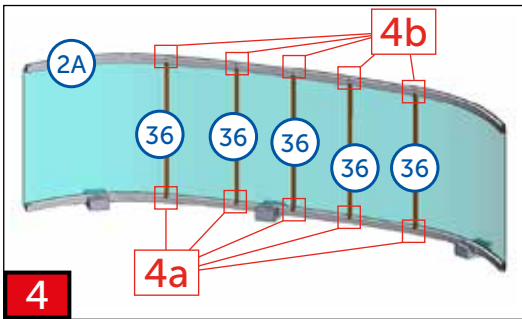
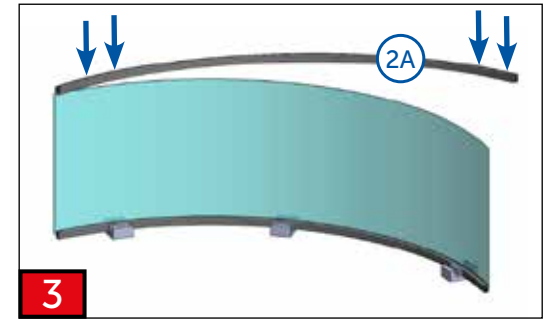
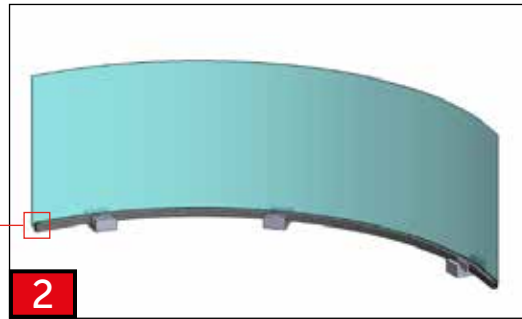
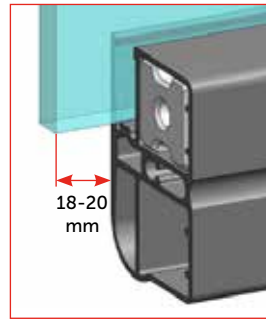
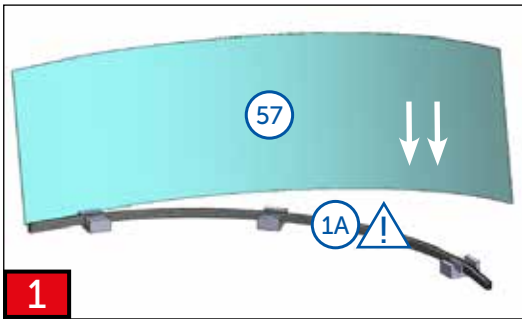
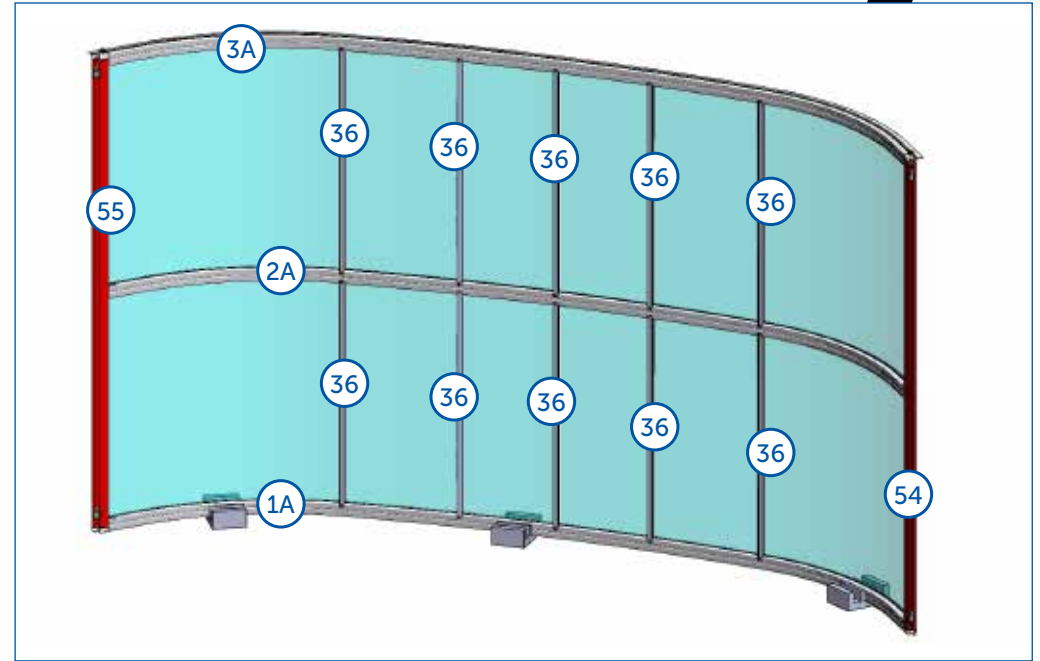
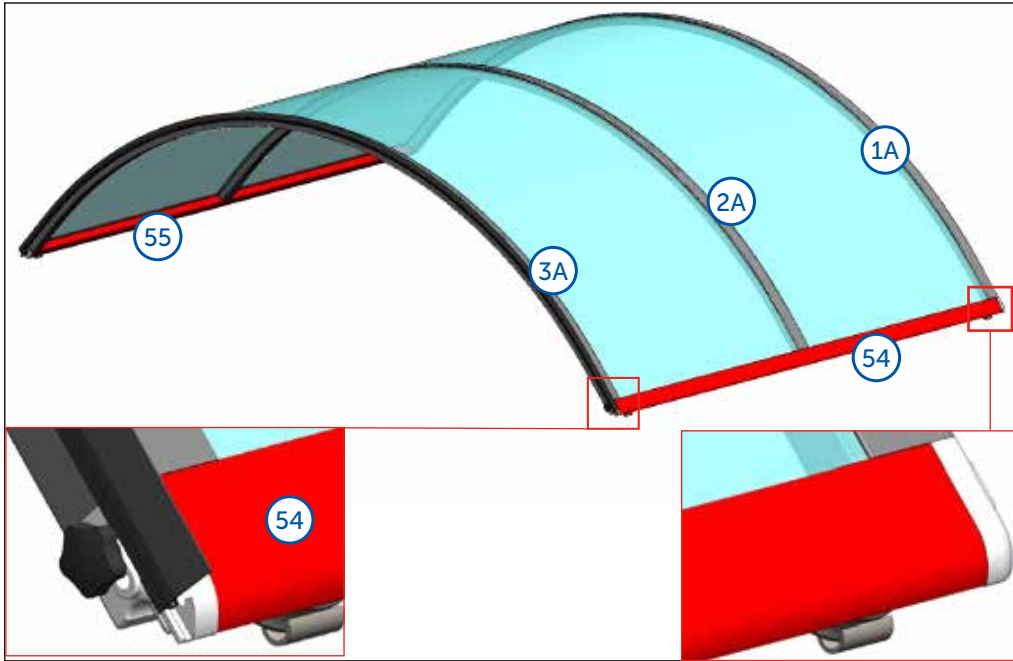


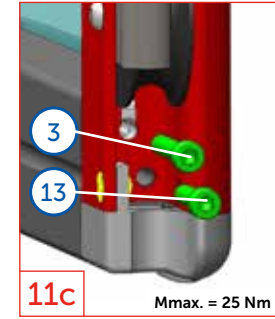
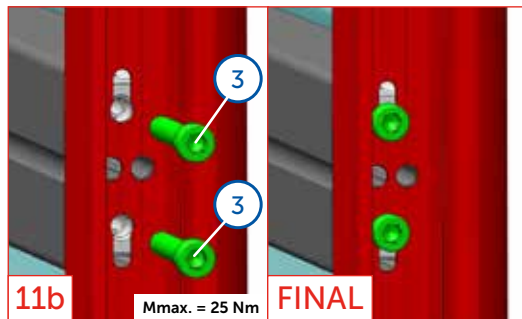
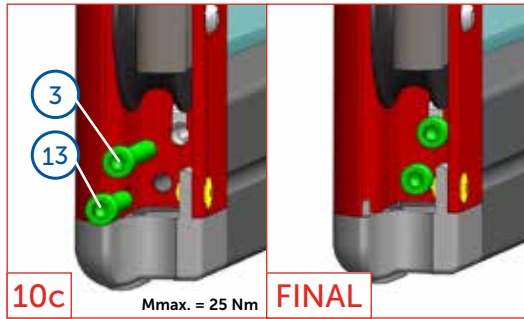
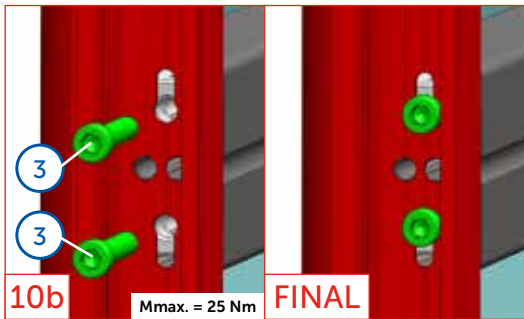
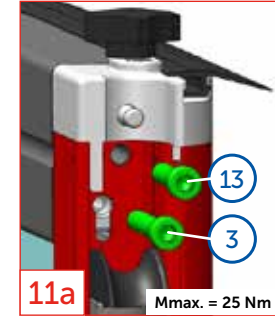
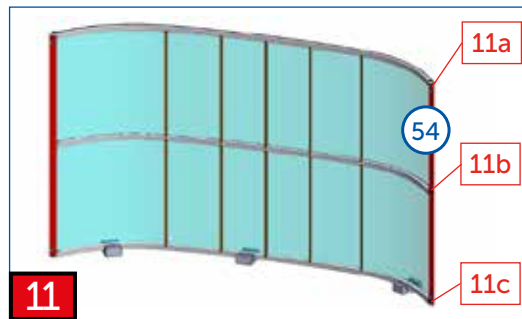
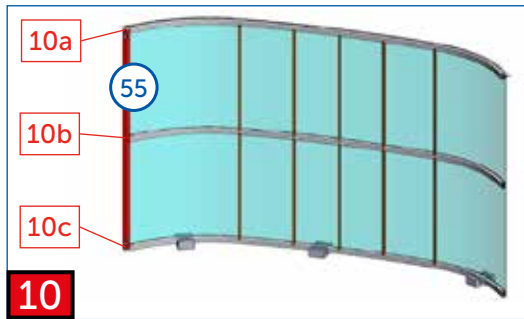
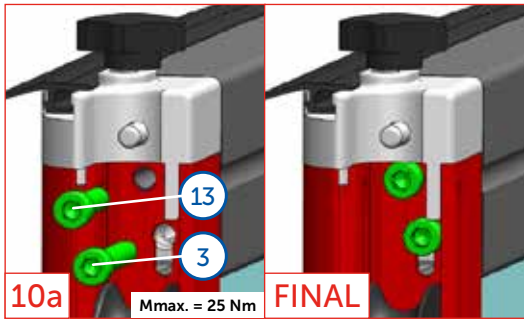
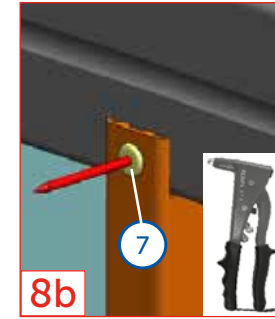
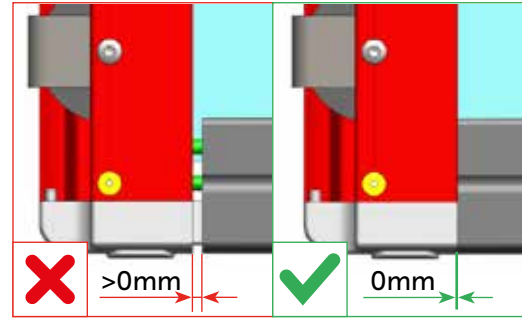
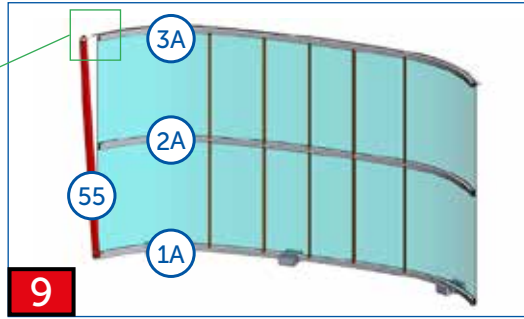
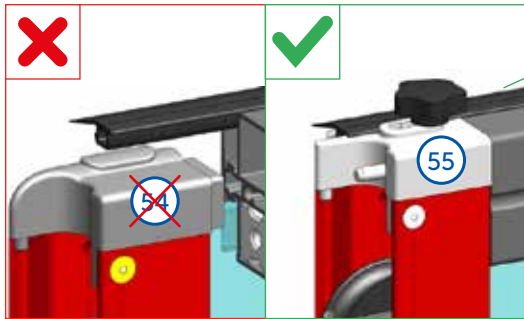
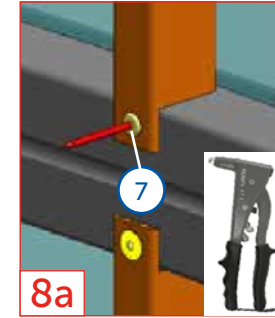
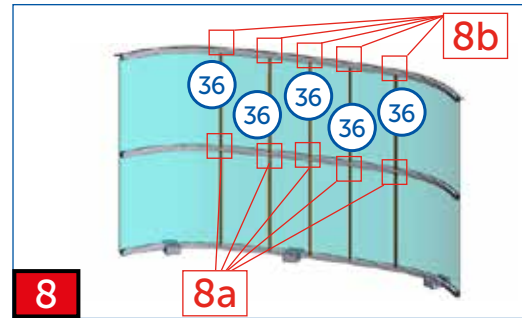
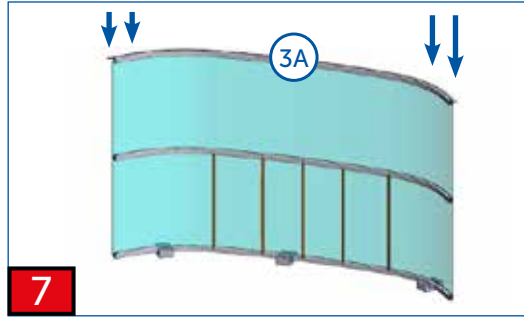
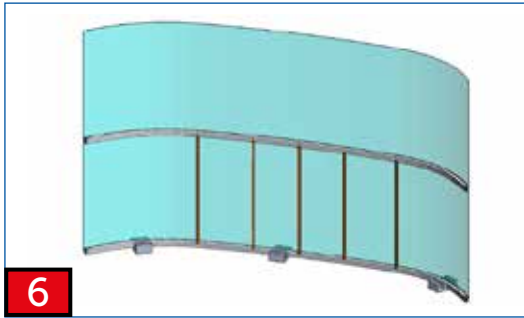
2x	41
2x	47



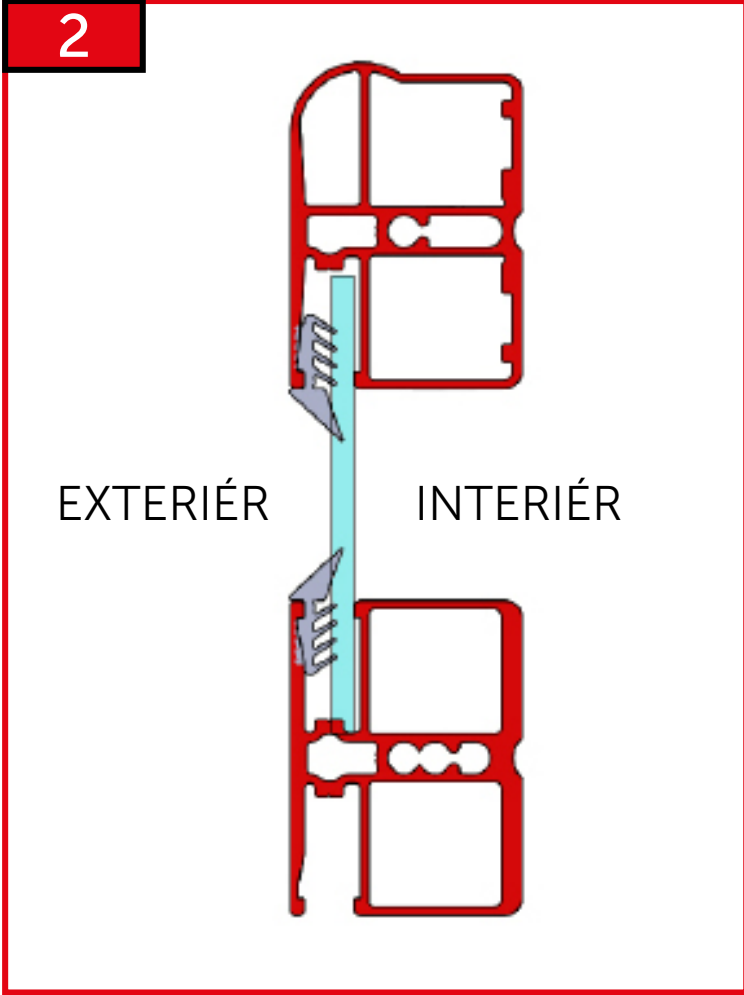
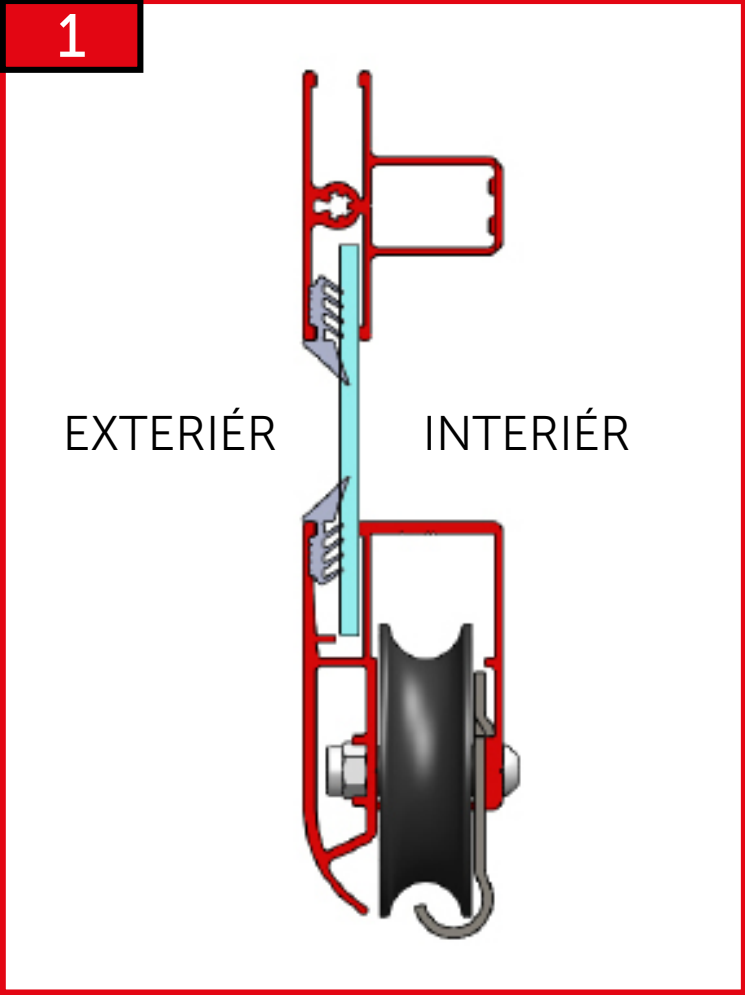


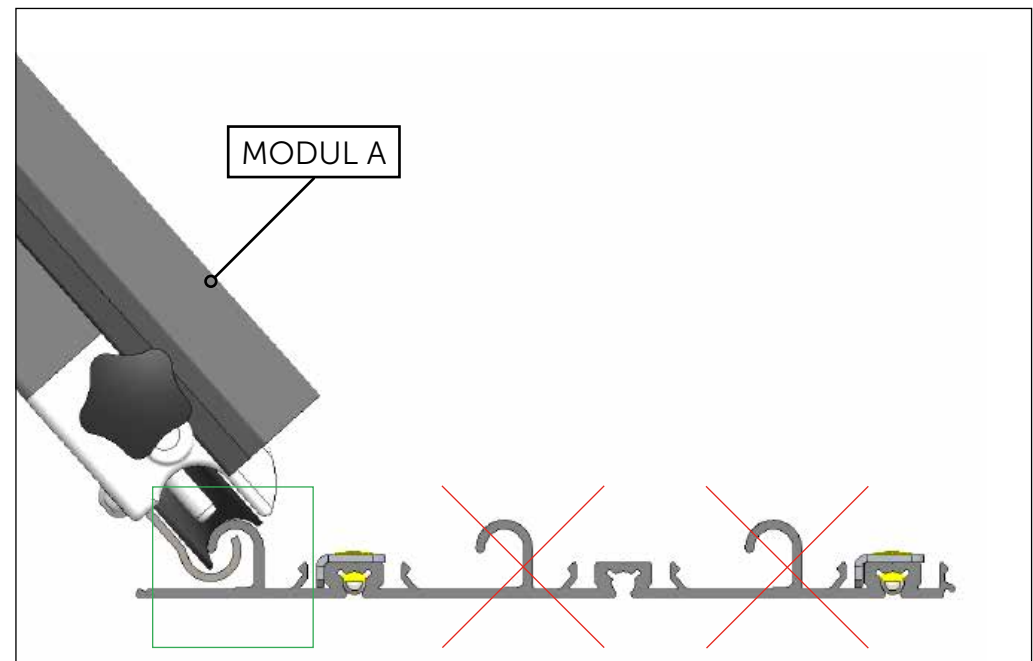
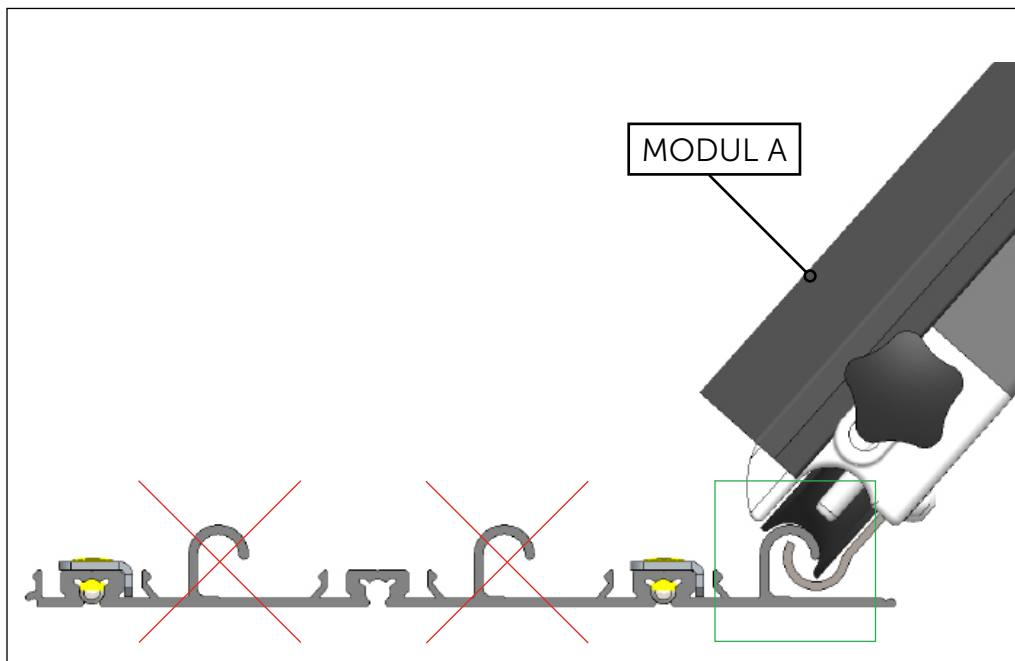
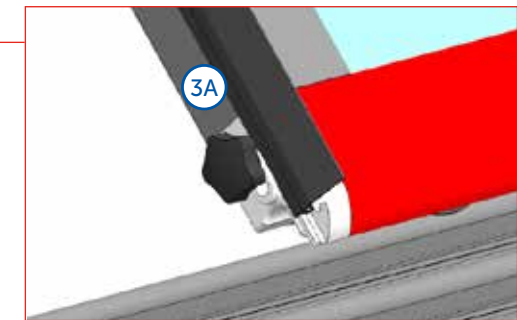
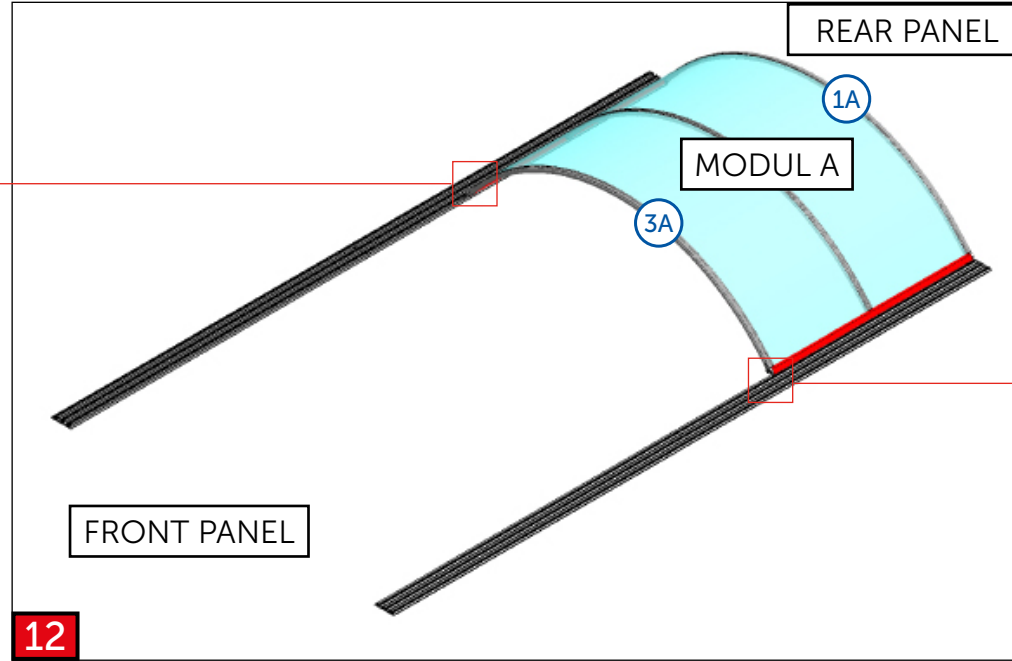
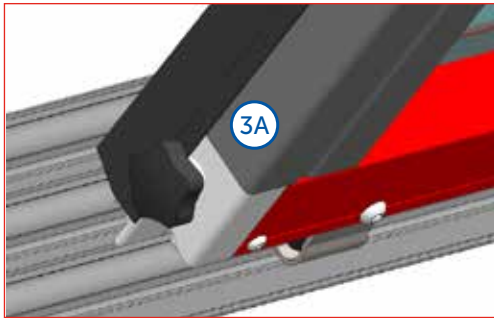


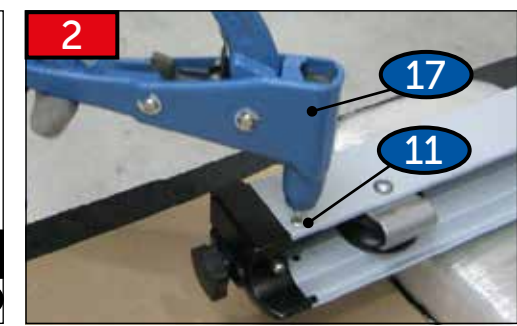
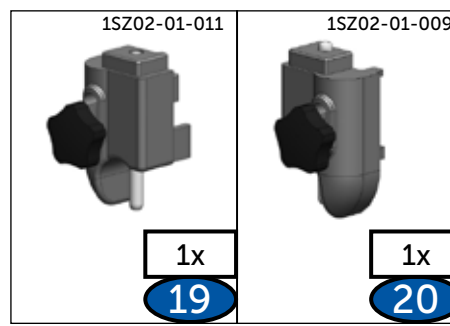
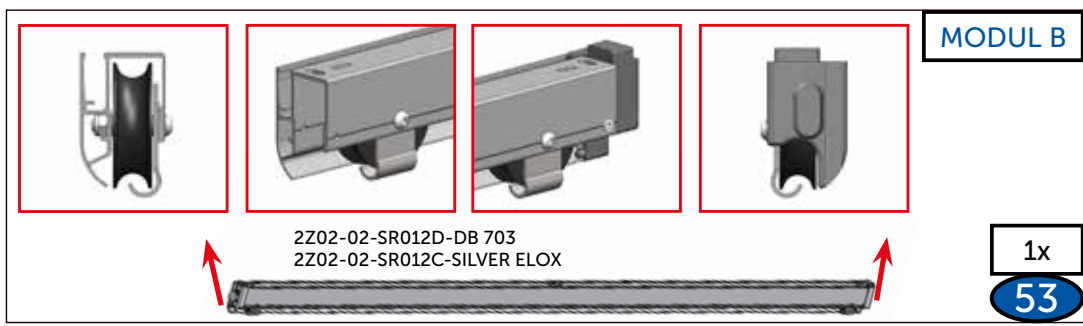
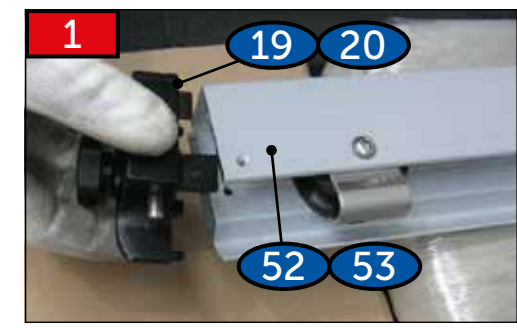
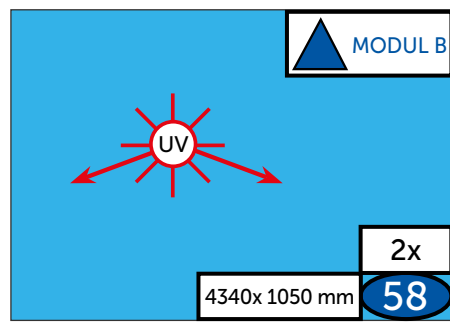
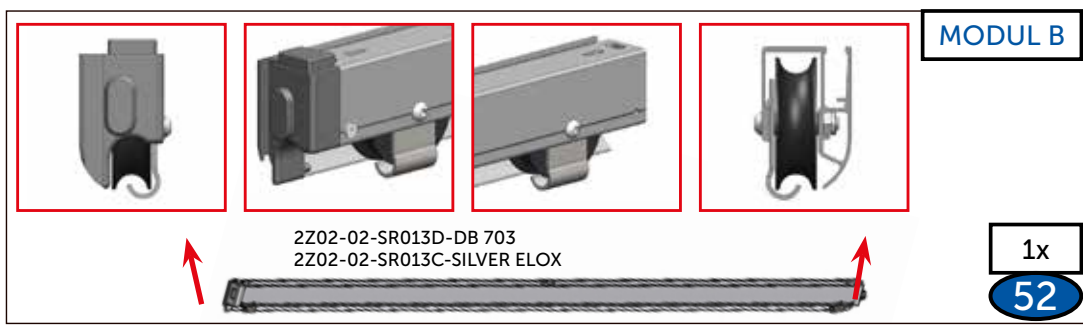
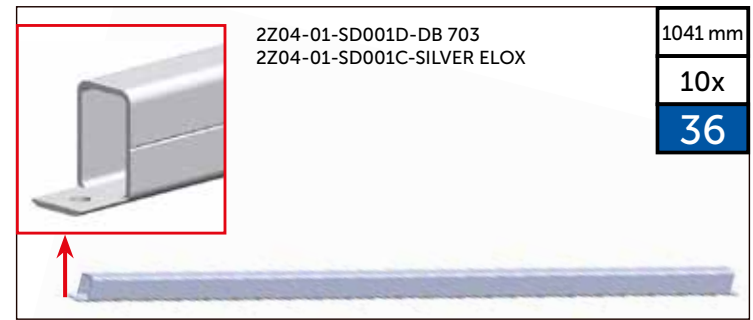
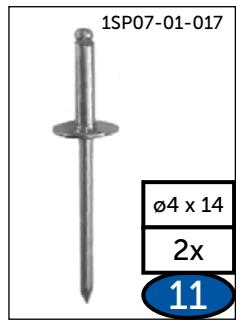
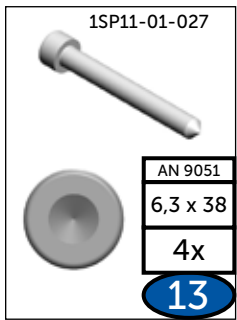
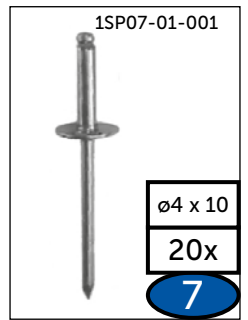
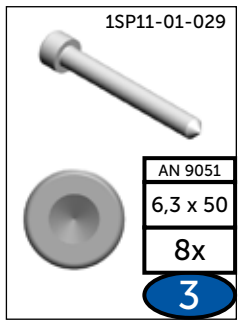
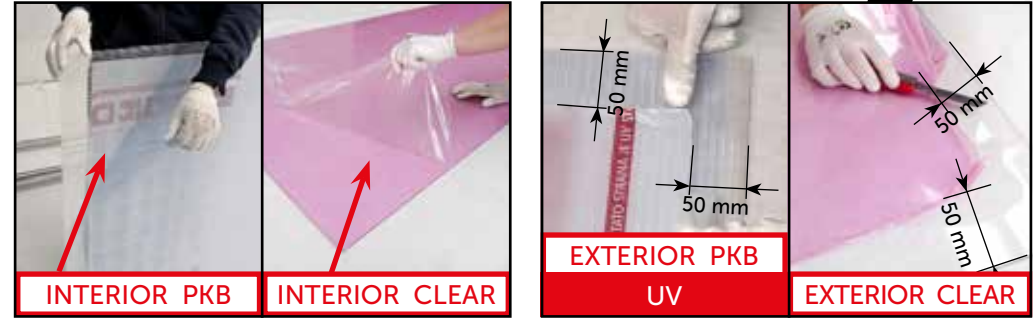
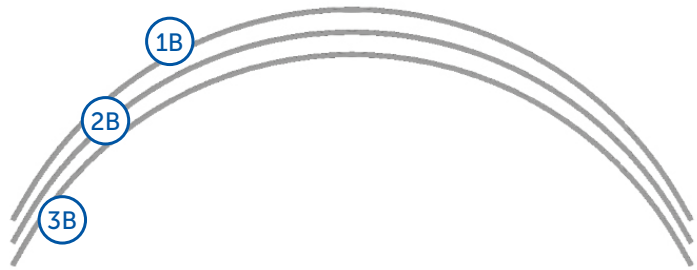


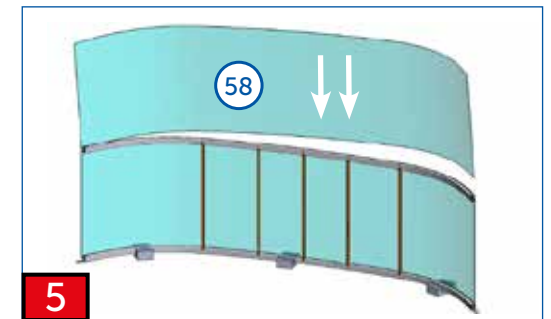
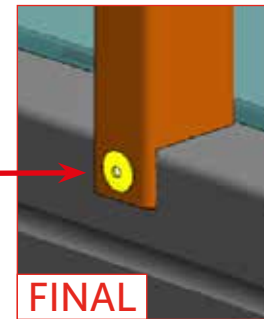
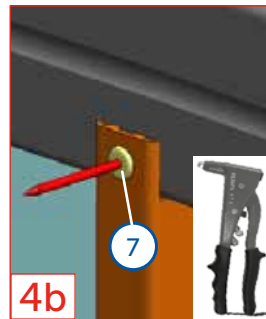
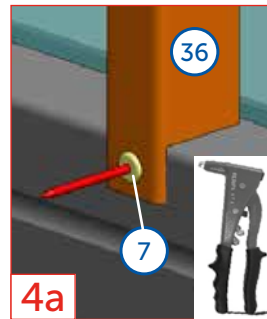
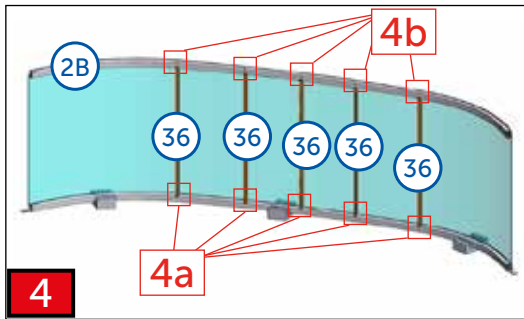
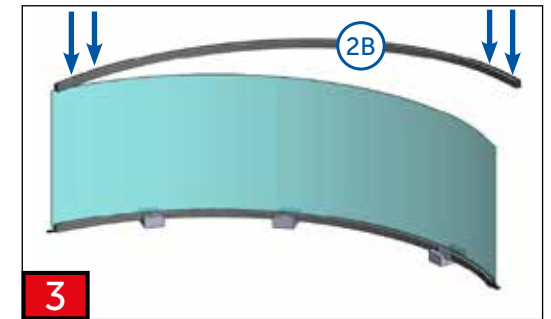
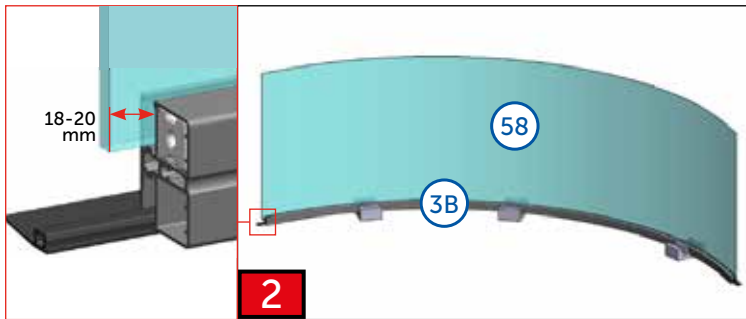
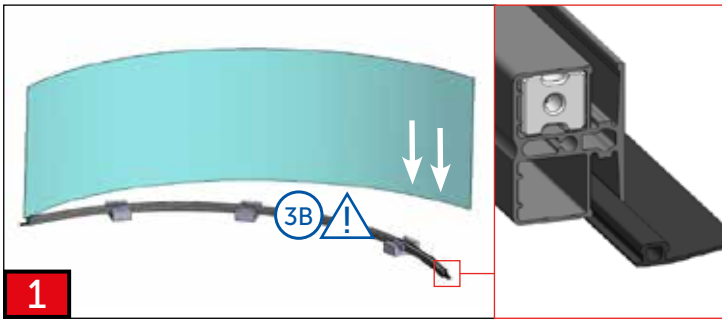
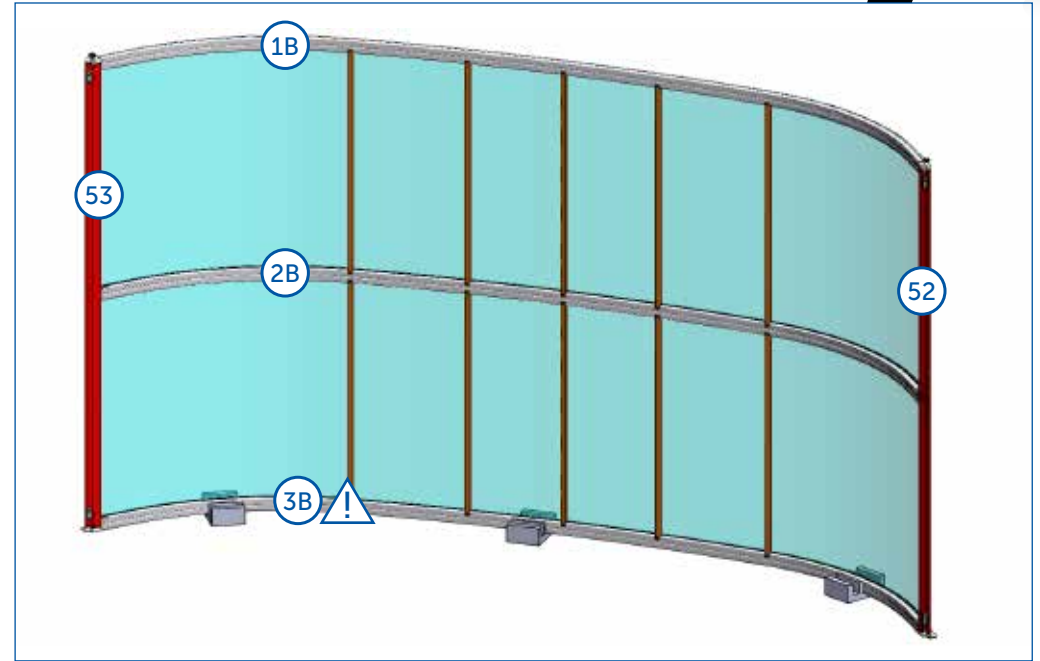
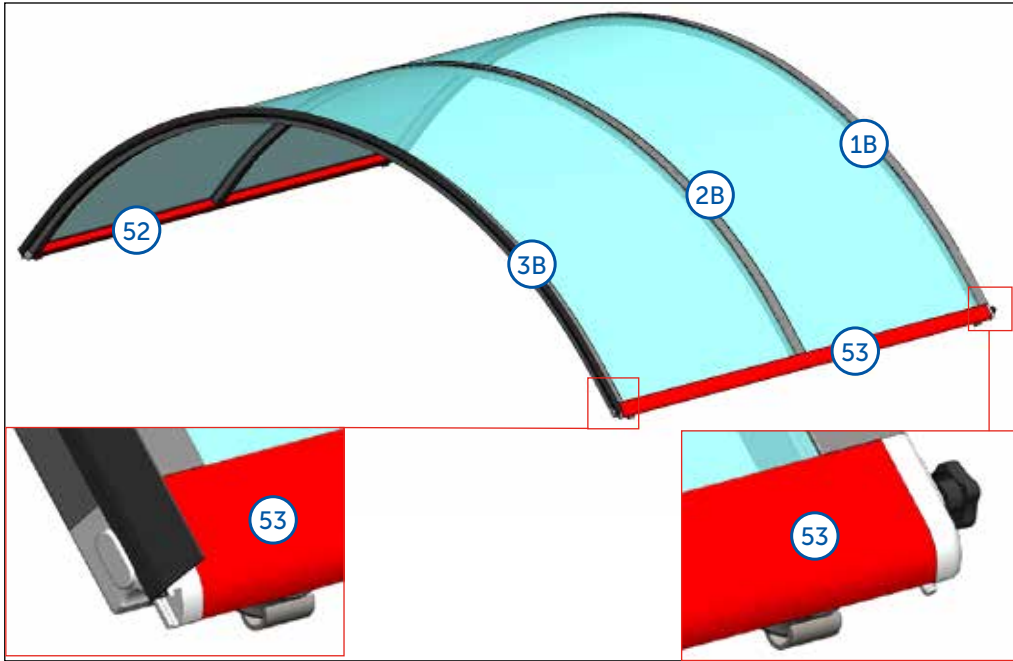


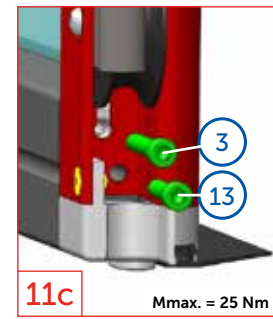
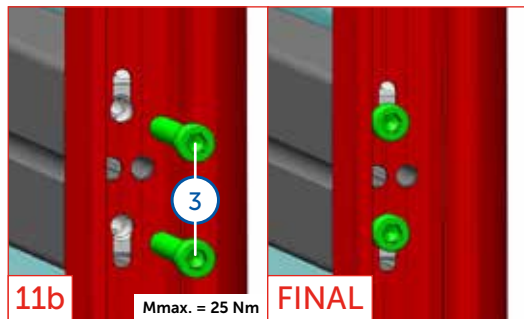
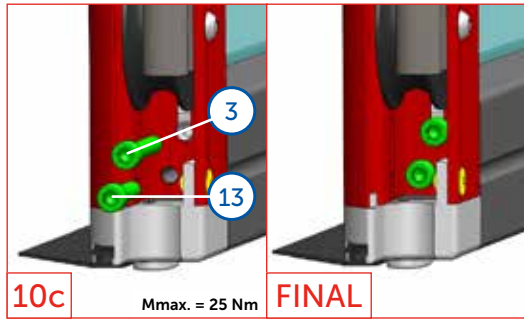
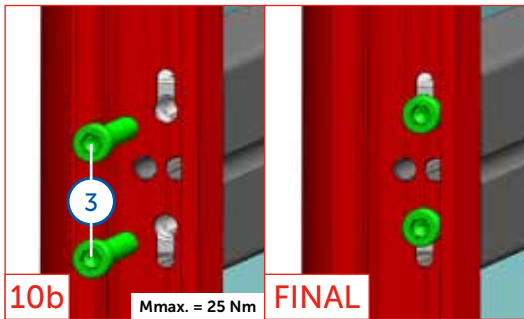
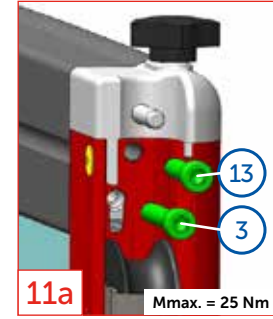
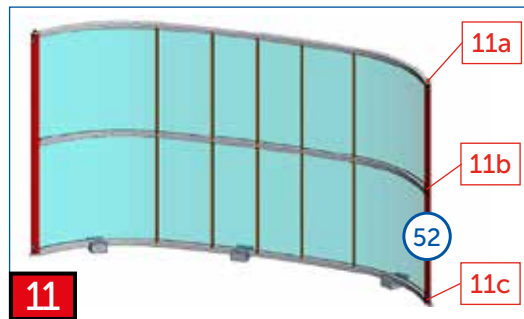
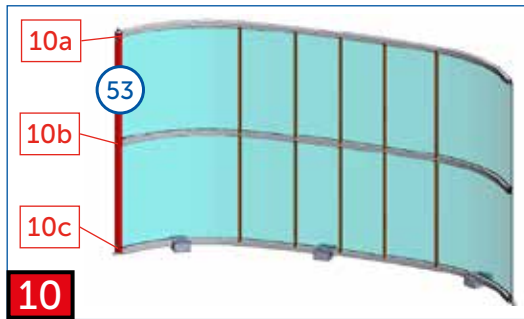
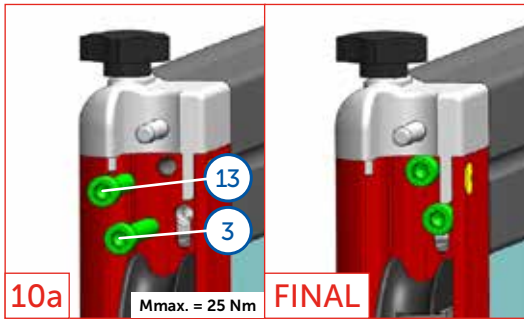
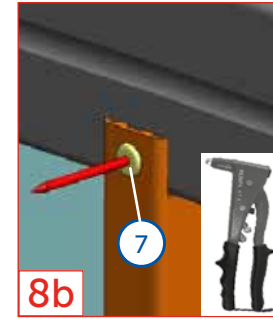
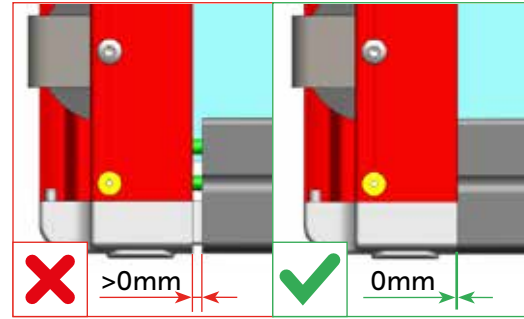
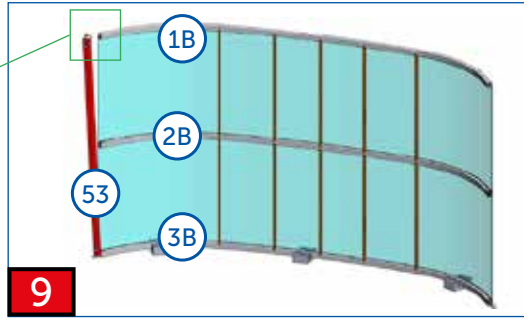
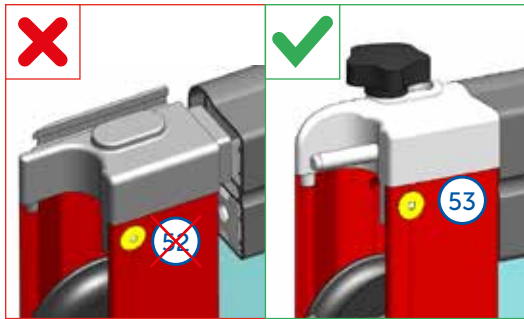
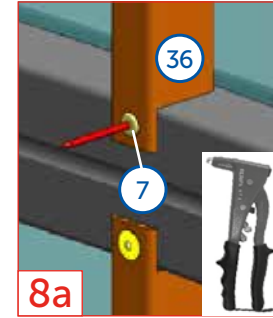
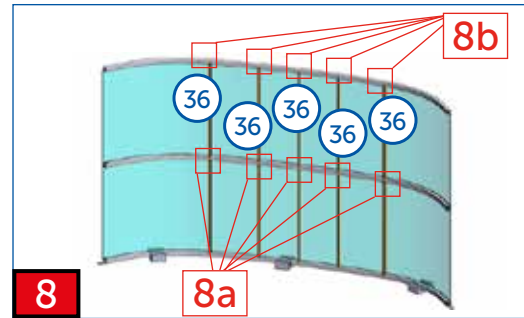
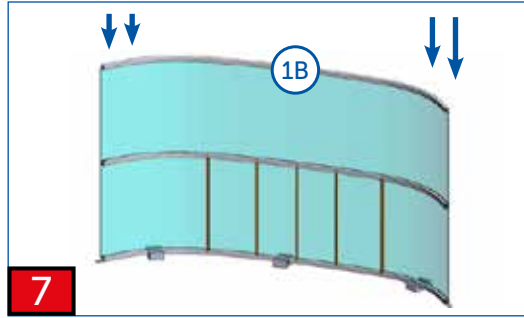
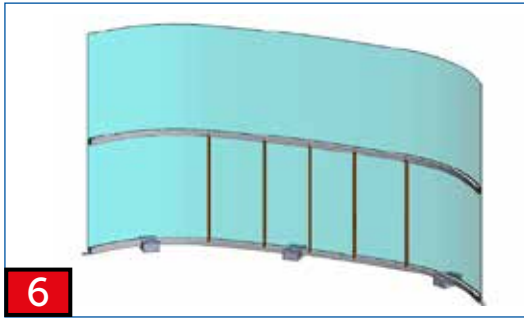


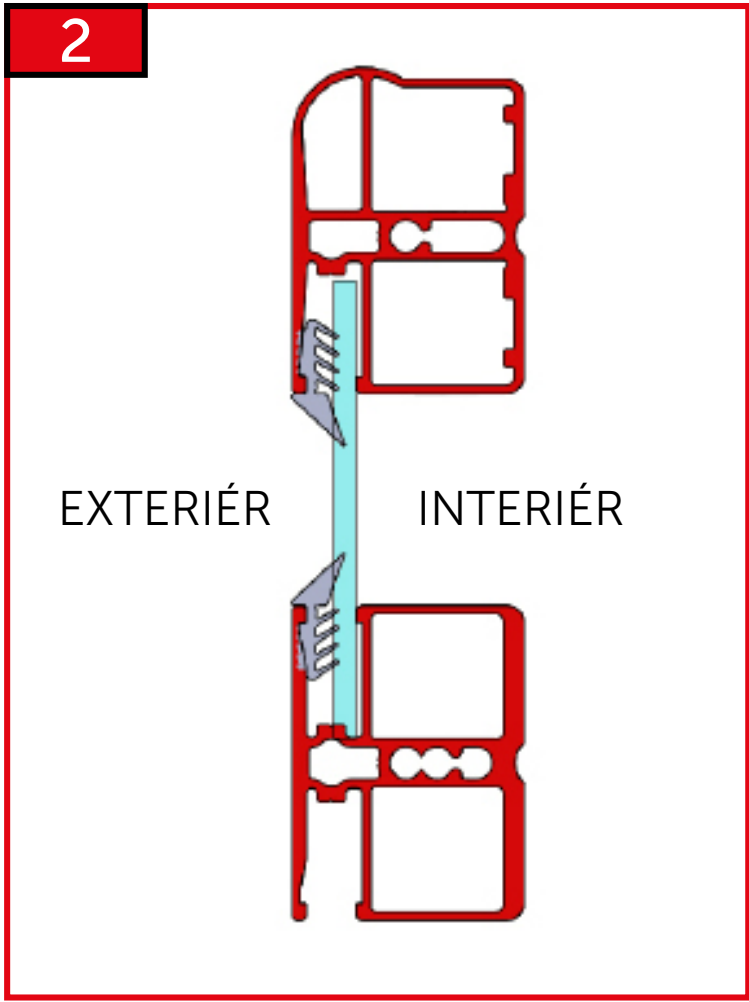
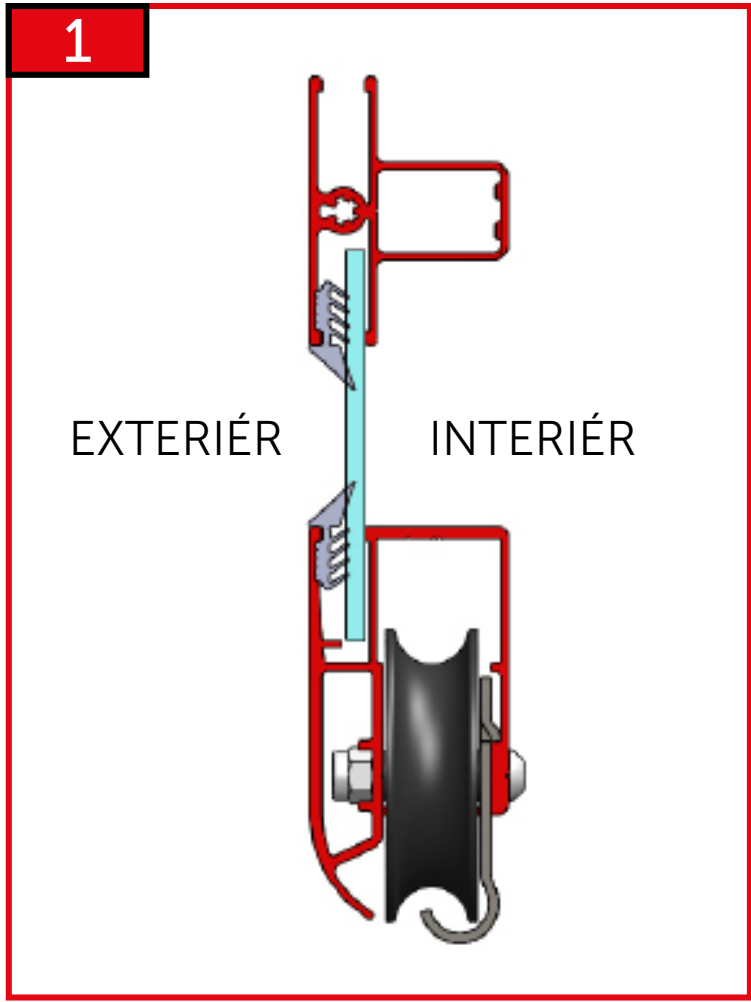


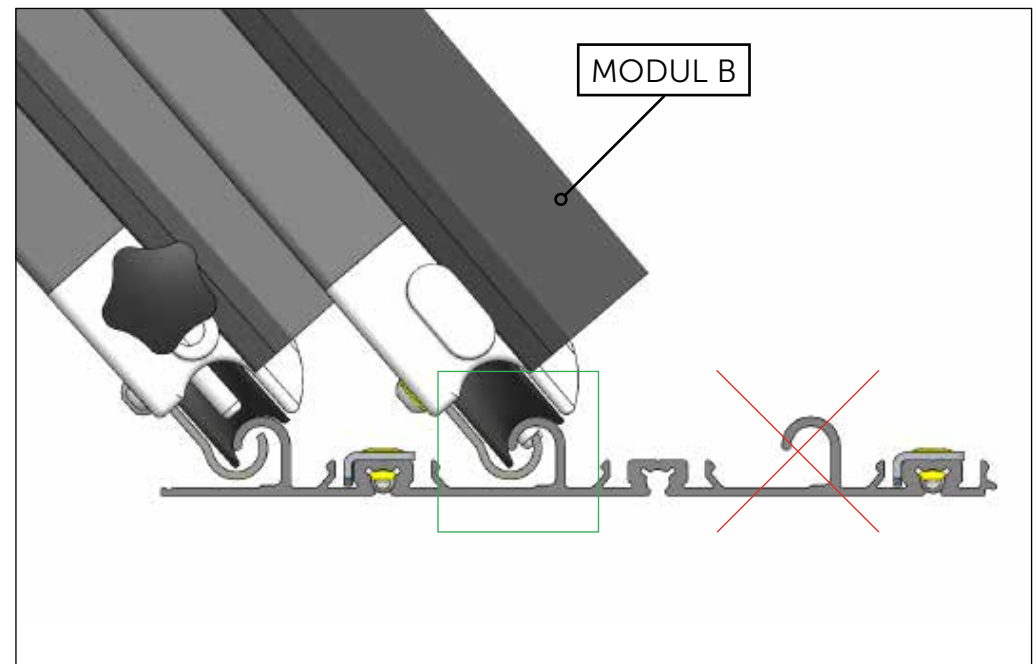
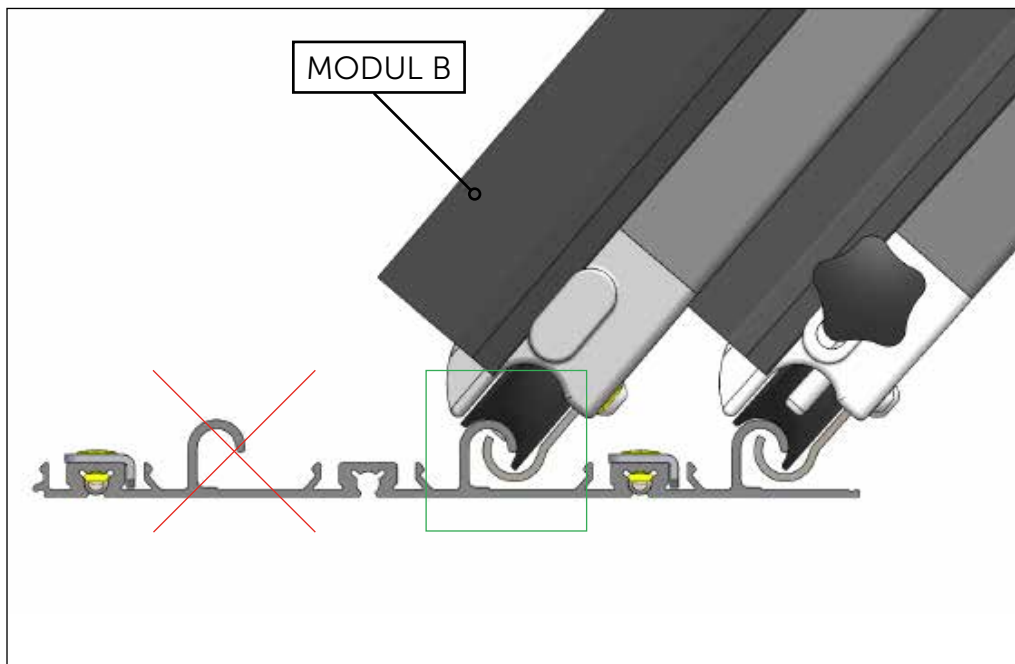
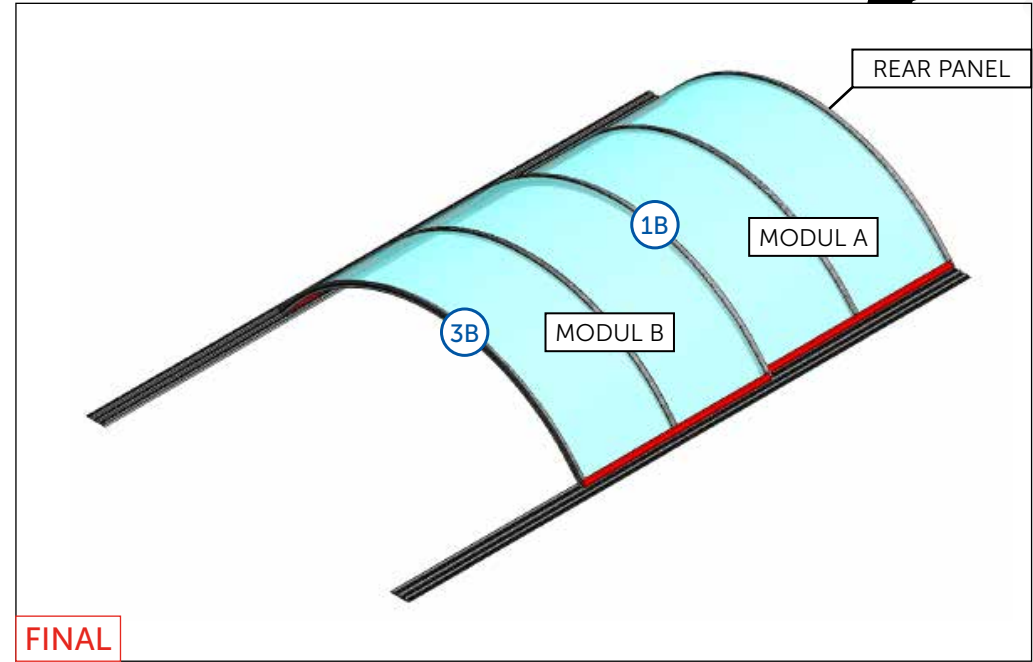
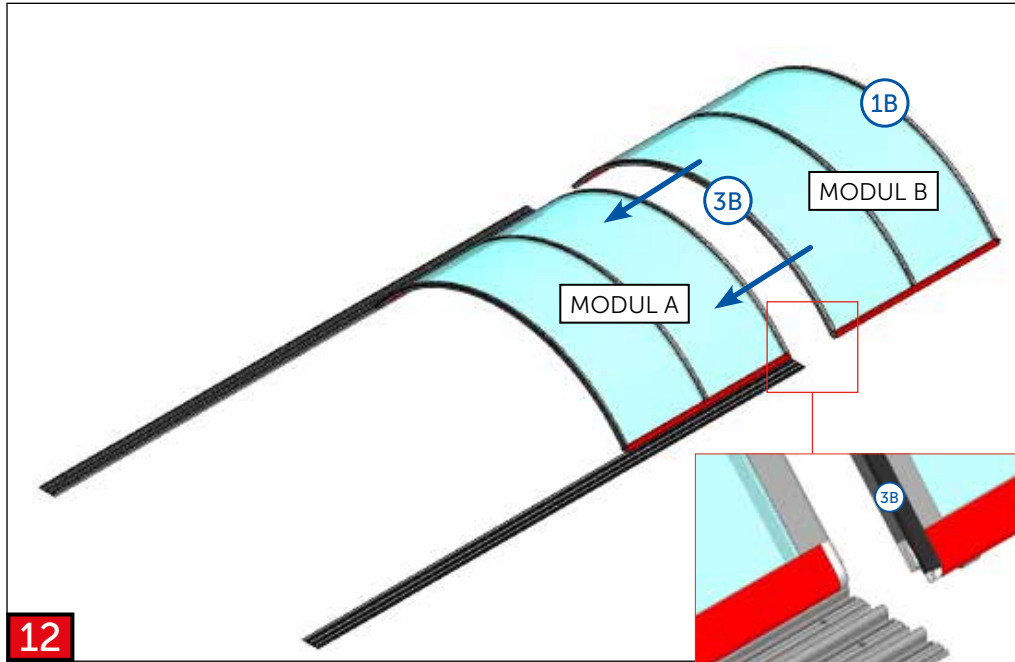














VARIANT 1

DOOR LEFT

PAGE 47-52

PAGE 26-30

VARIANT 2

DOOR RIGHT

PAGE 53-59

PAGE 31-35

VARIANT 3

DOOR RIGHT

PAGE 53-59

PAGE 36-40

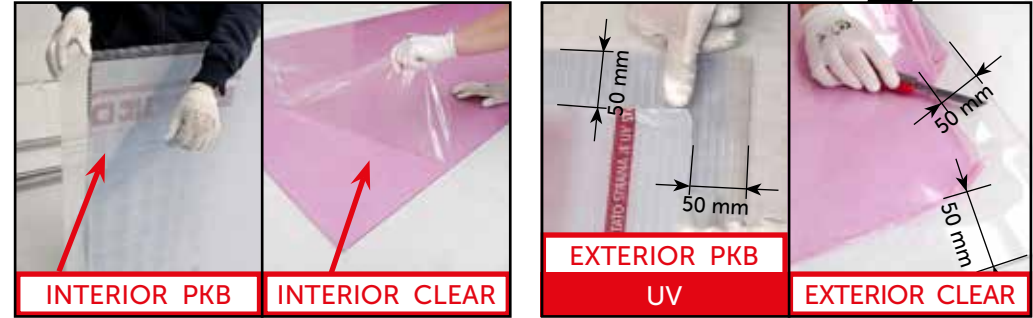
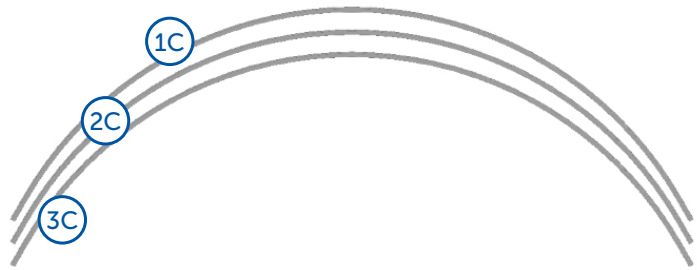
VARIANT 4

DOOR LEFT


PAGE 47-52

PAGE 41-45






1SP11-01-029




AN 9051
6,3 x 50
8x
<b>3</b>

1SP07-01-001



ø4 x 10
16x
<b>7</b>

1SP11-01-027




AN 9051
6,3 x 38
4x
<b>13</b>

1NA03-01-050

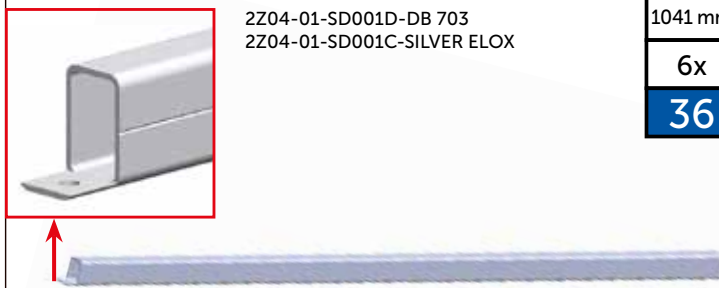


<b>17</b>
-----------

1SP07-01-017

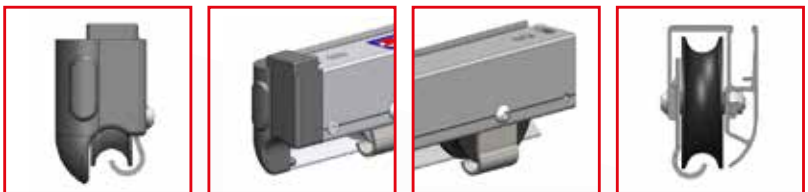


ø4 x 14
2x
<b>11</b>



2Z04-01-SD001D-DB 703  
2Z04-01-SD001C-SILVER ELOX

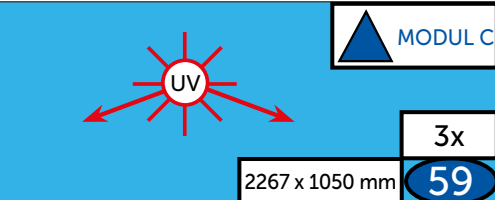
1041 mm
6x
<b>36</b>



MODUL C

2Z02-02-SR015D-DB 703  
2Z02-02-SR015C-SILVER ELOX

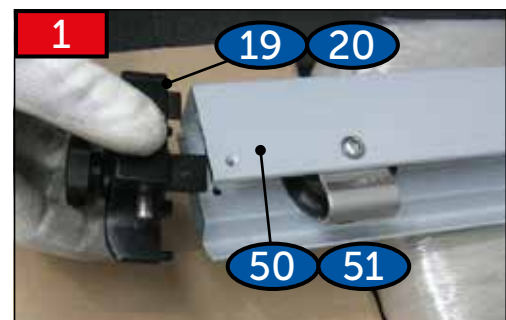
1x
<b>50</b>



MODUL C

2267 x 1050 mm

3x
<b>59</b>

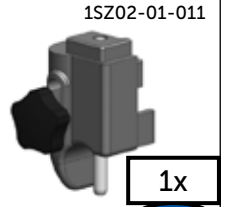



MODUL C

2Z02-02-SR014D-DB 703  
2Z02-02-SR014C-SILVER ELOX

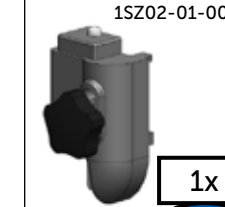
1x
<b>51</b>

1SZ02-01-011

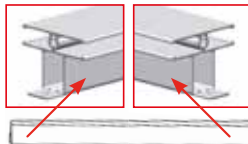


1x
<b>19</b>

1SZ02-01-009

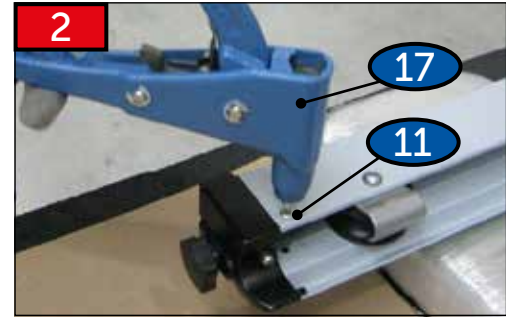


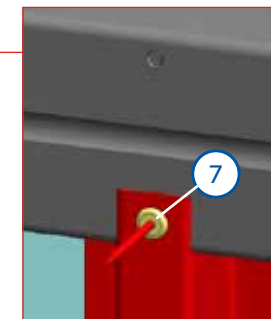
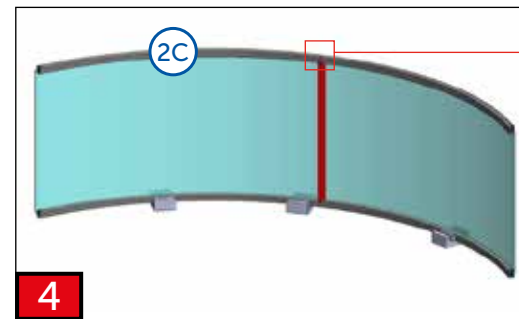
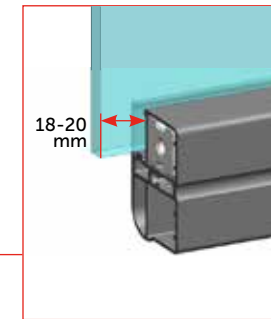
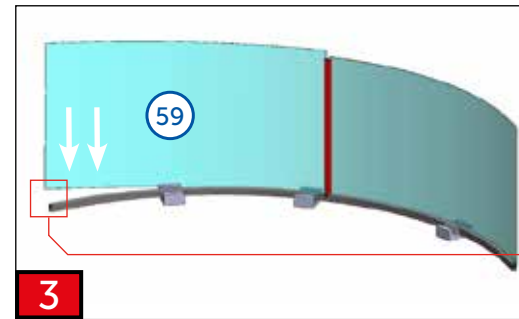
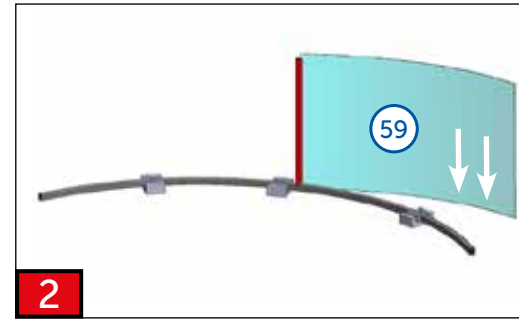
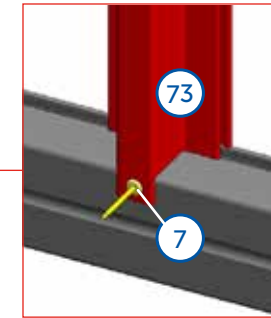
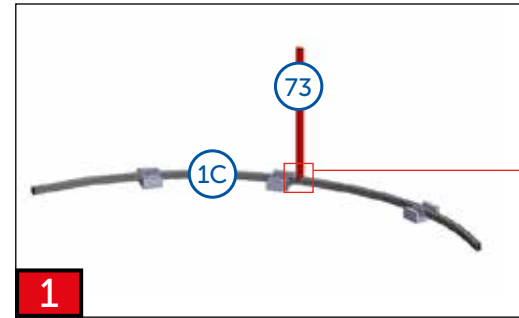
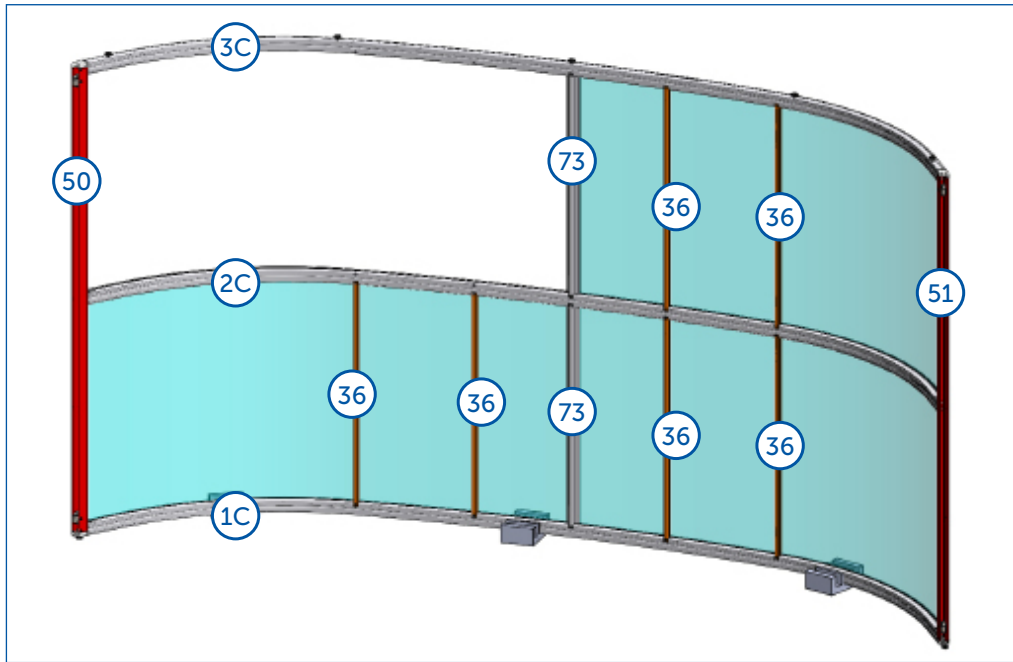
1x
<b>20</b>



2Z05-01-SD002D-DB 703  
2Z05-01-SD002C-SILVER ELOX

2x
<b>73</b>





**5**

**6**

**7**

**8**

**9**

**9a**

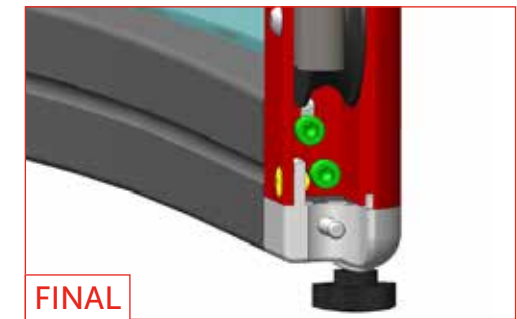
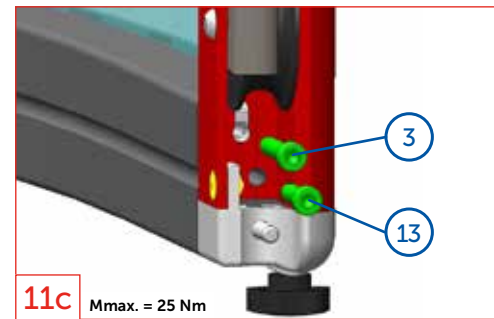
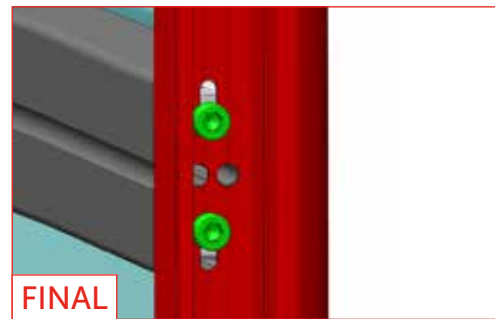
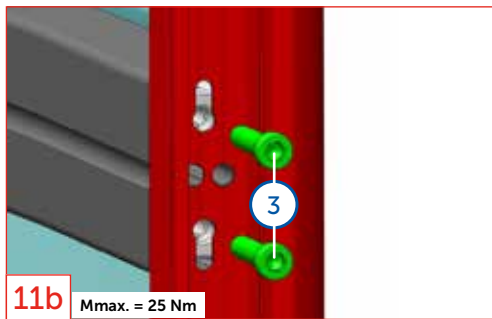
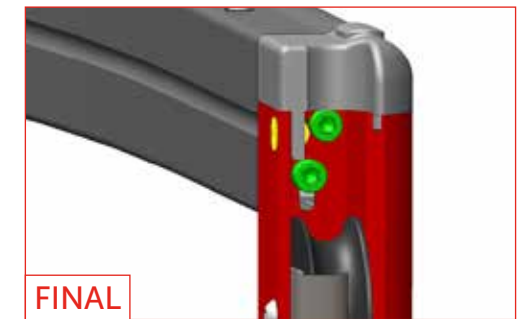
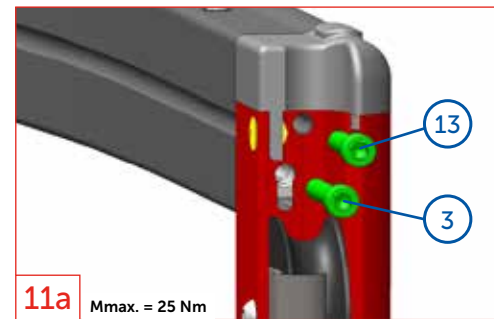
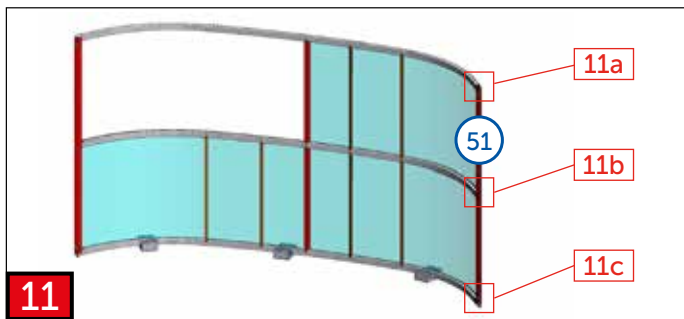
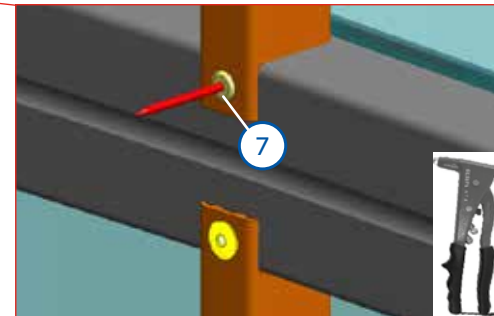
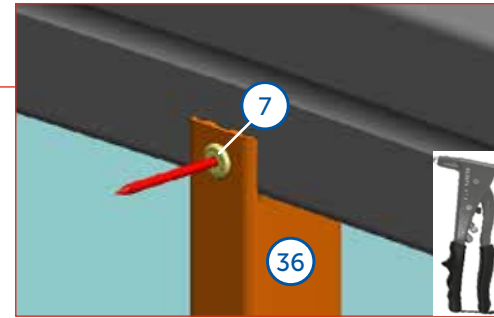
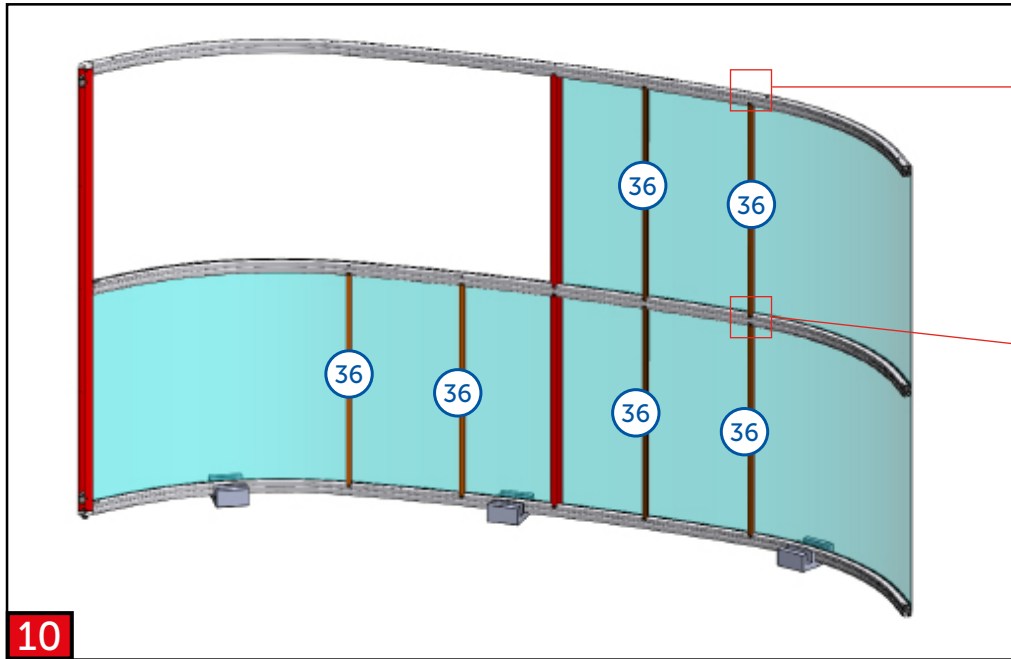
**FINAL**

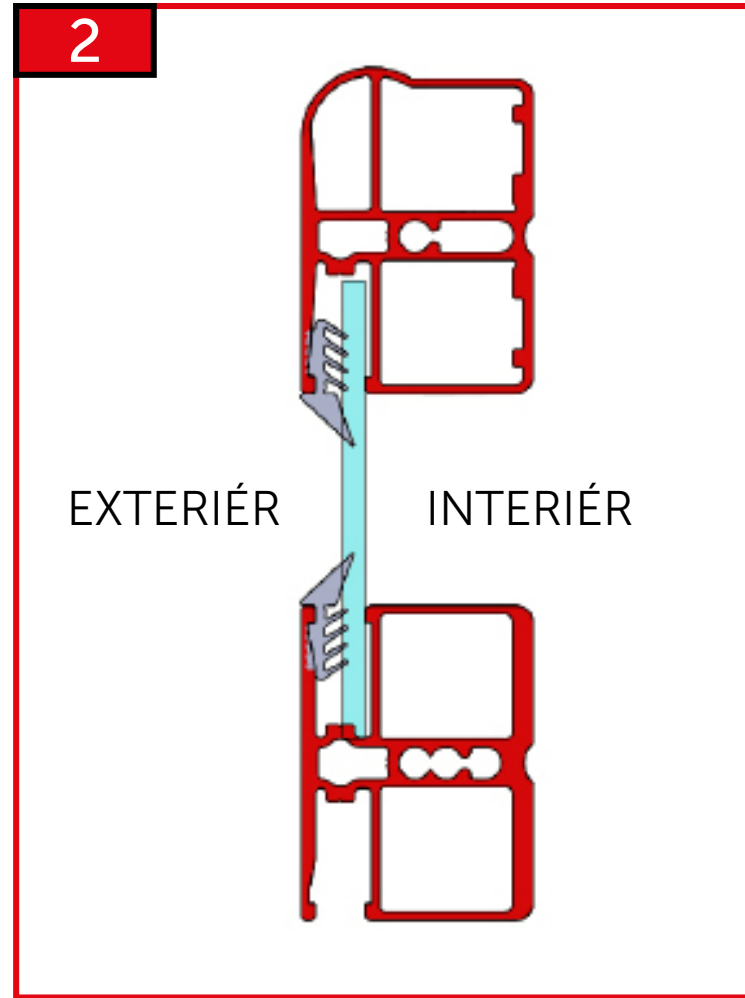
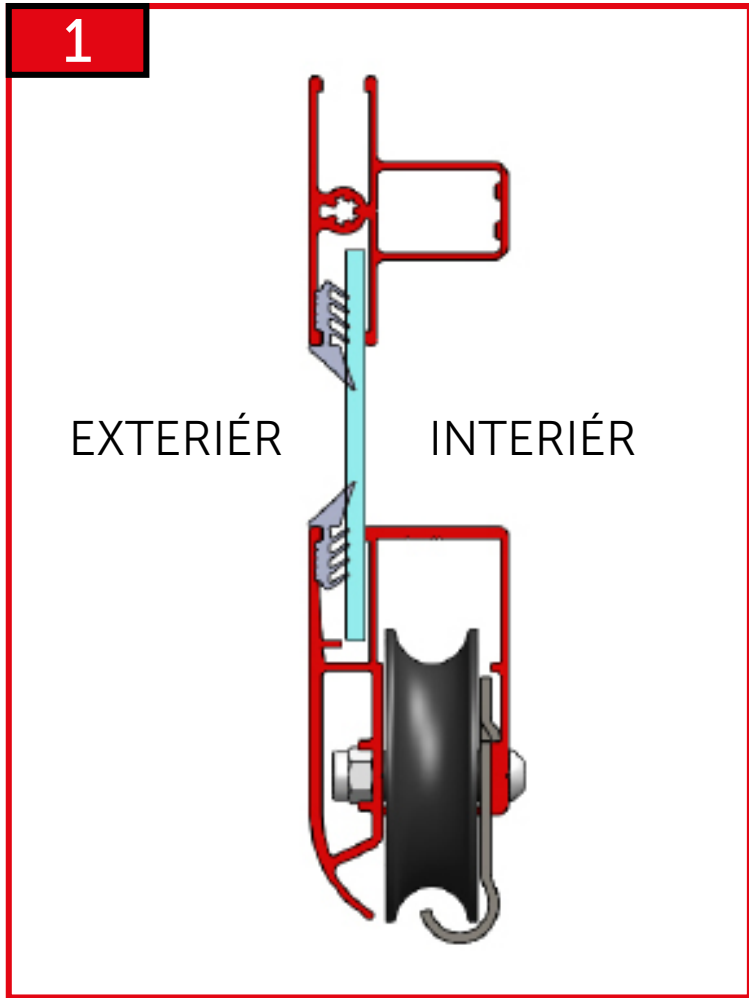
**9b**

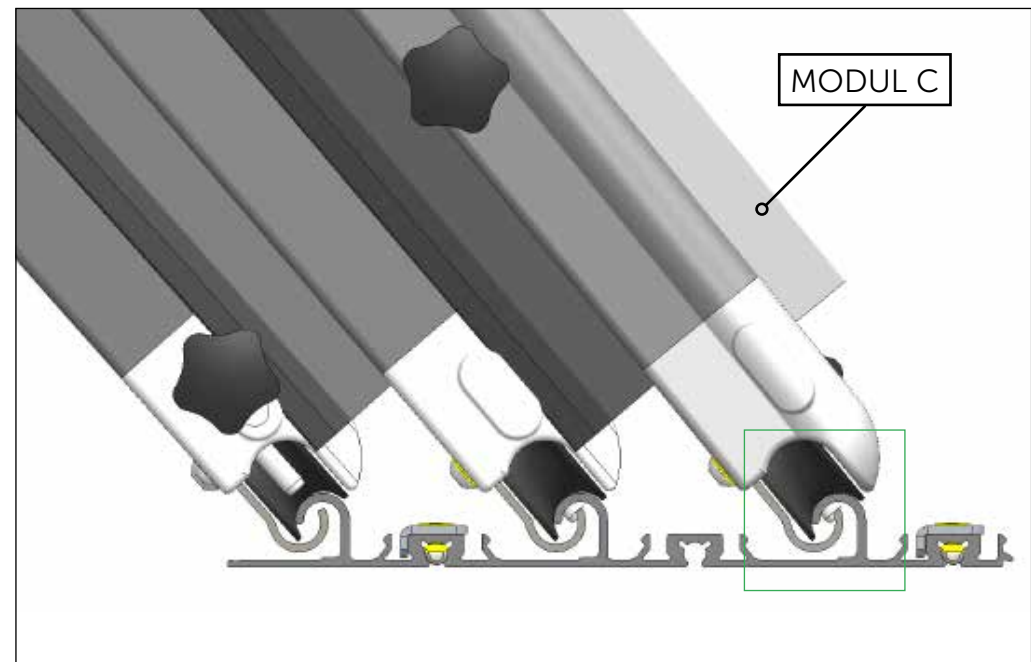
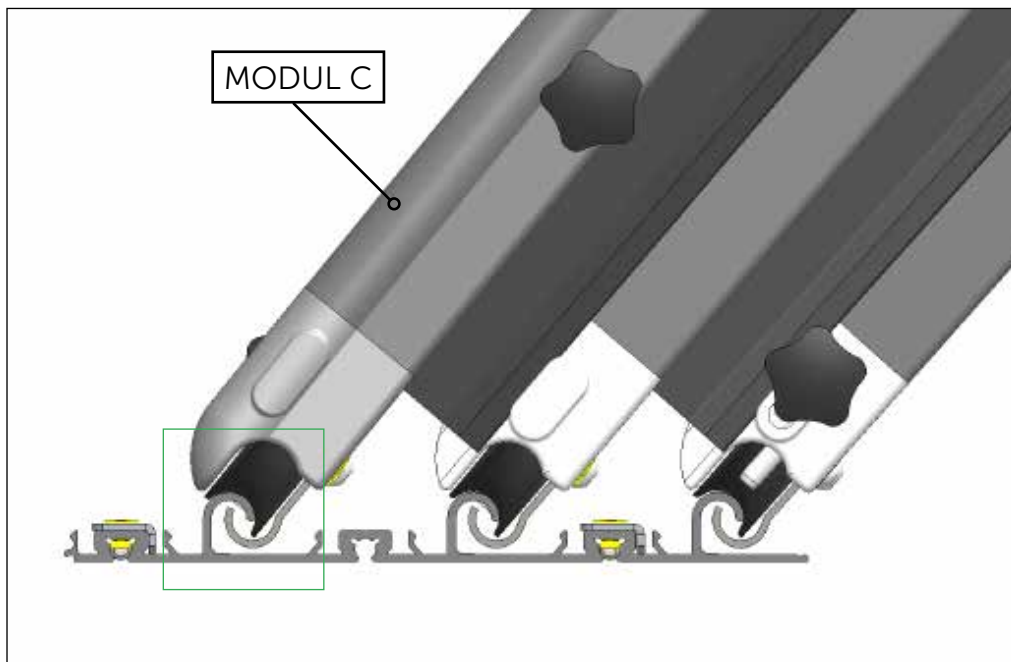
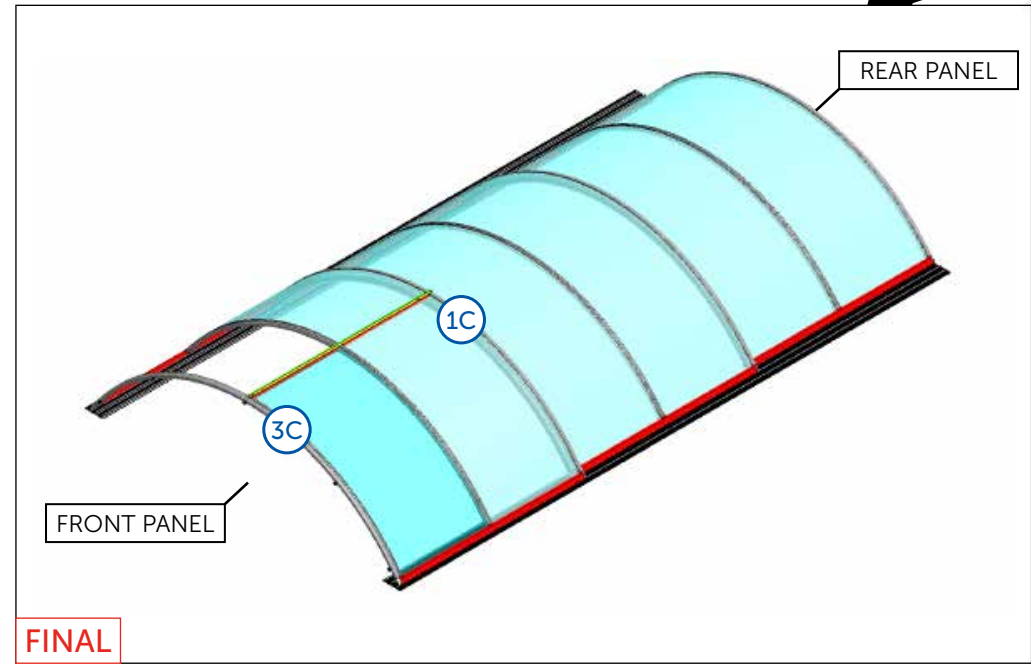
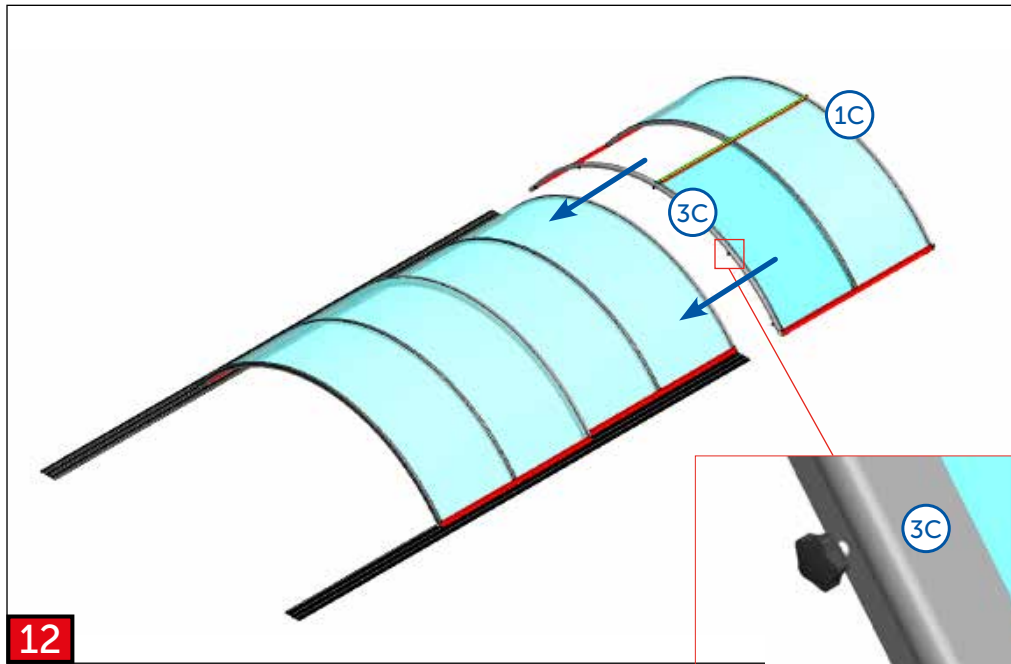
**FINAL**

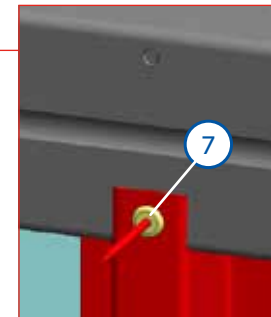
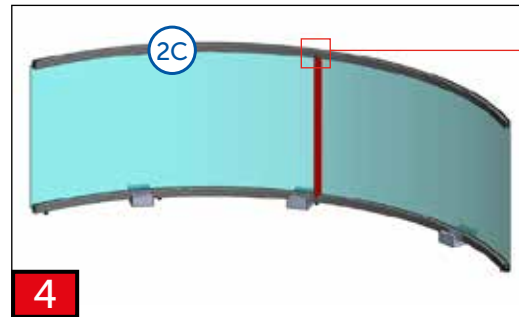
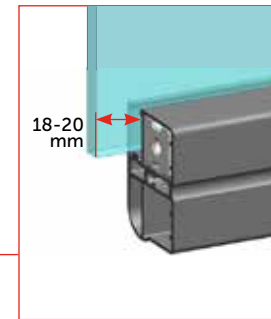
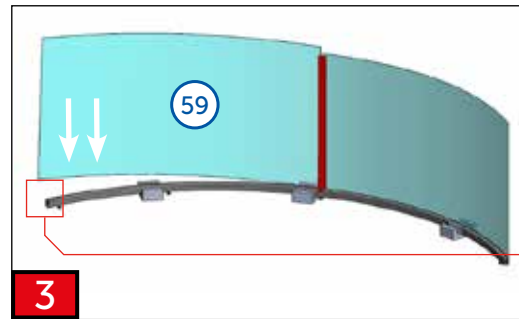
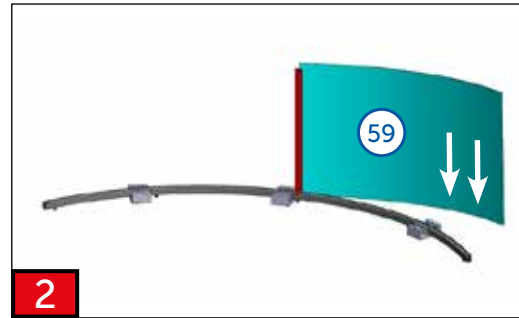
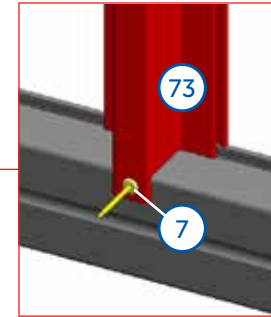
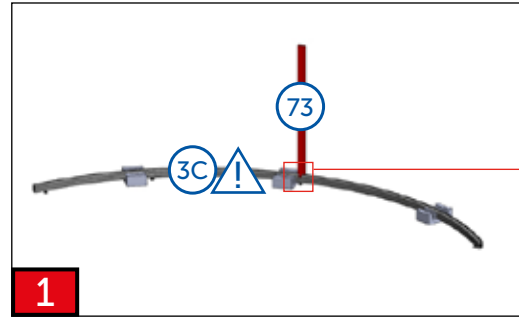
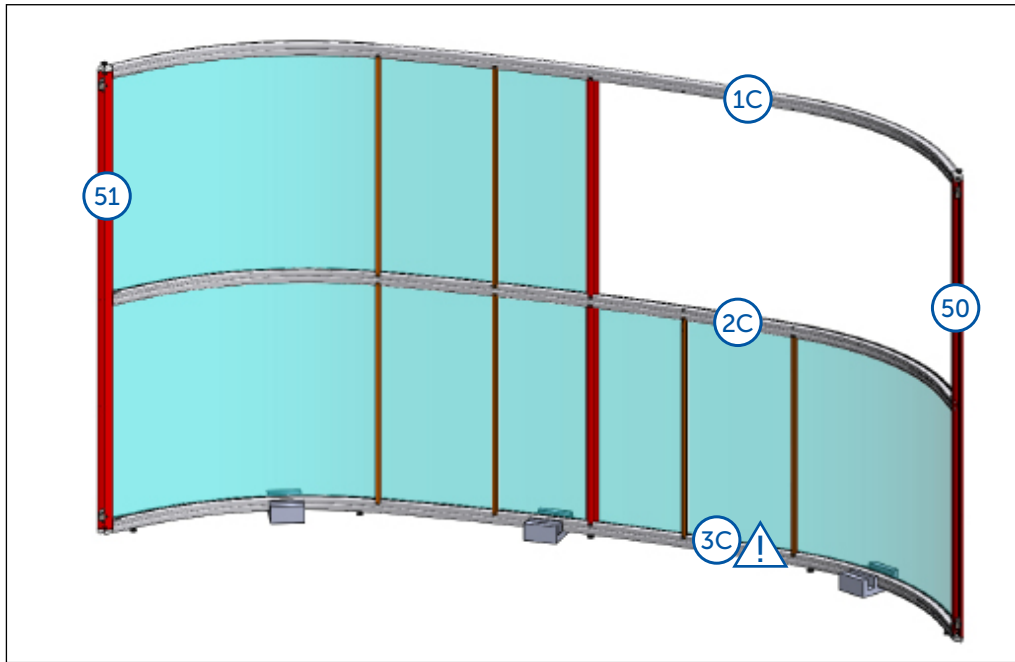
**9c**

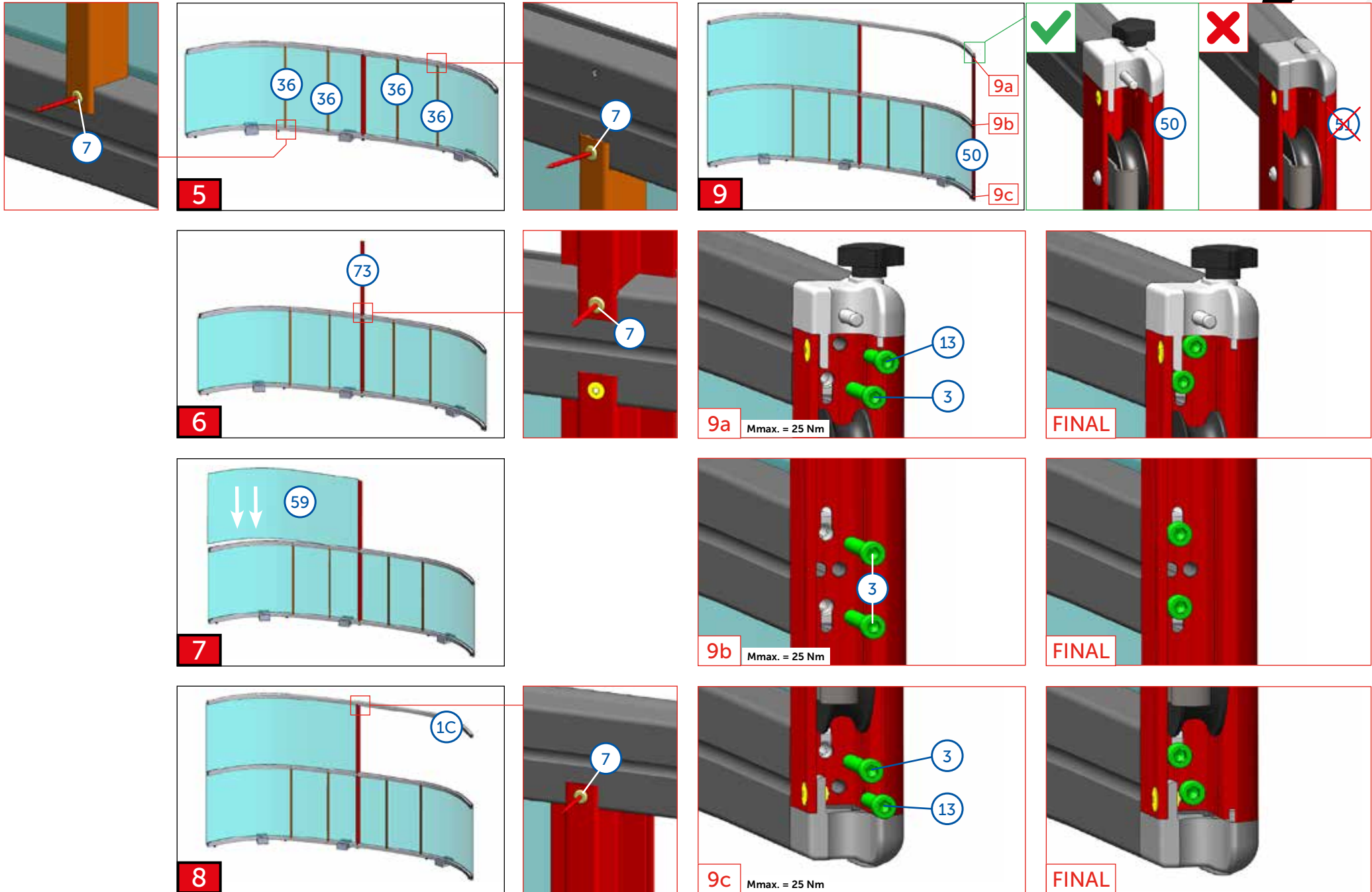
**FINAL**



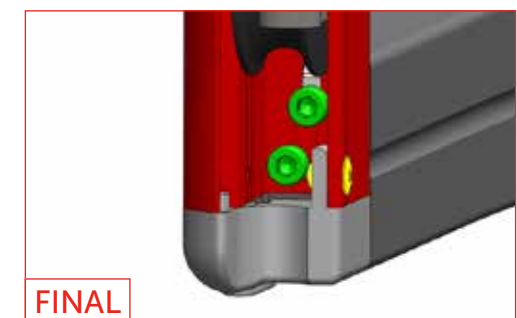
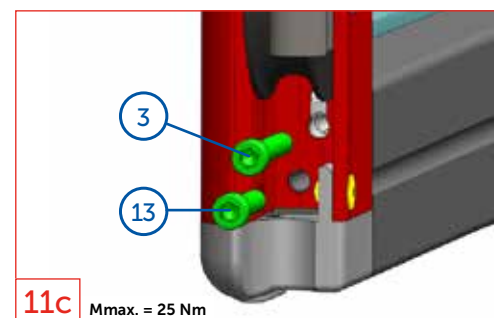
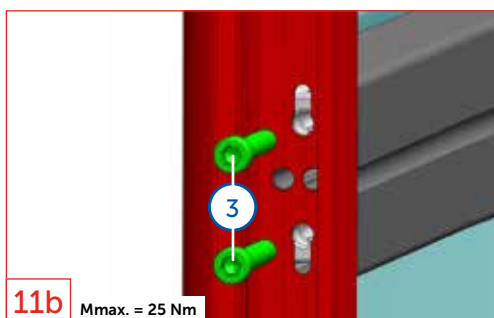
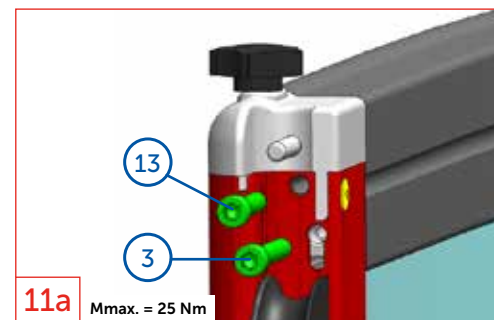
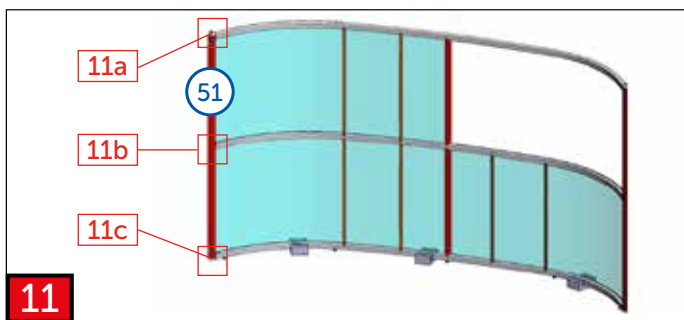
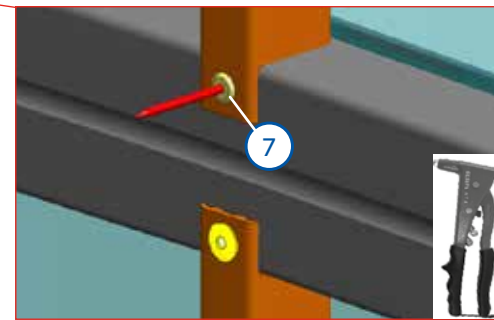
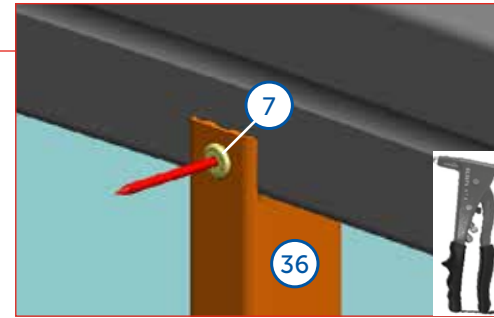
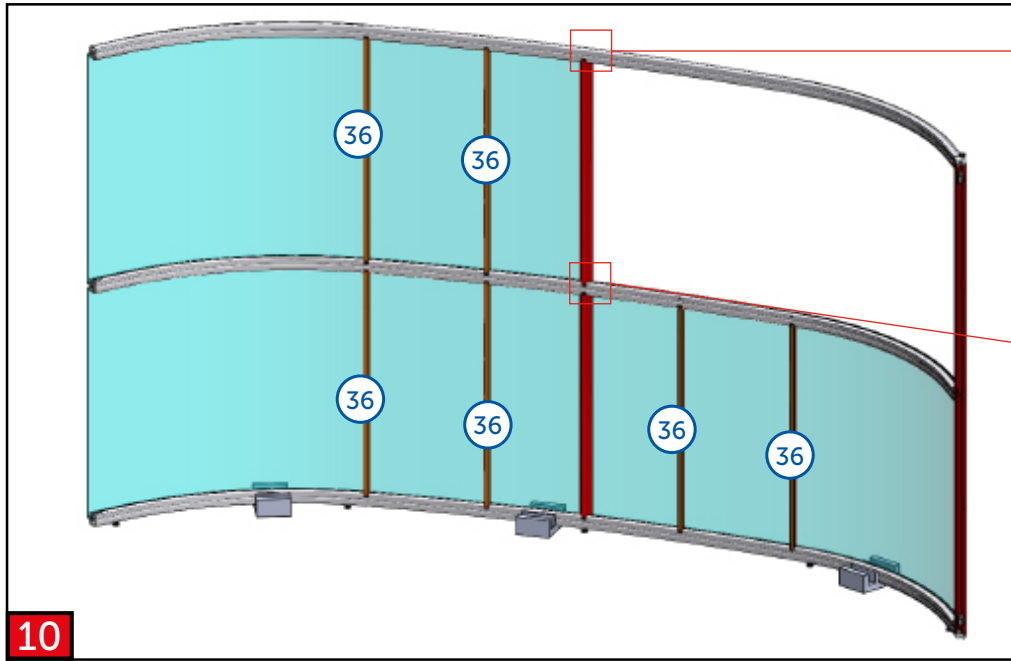


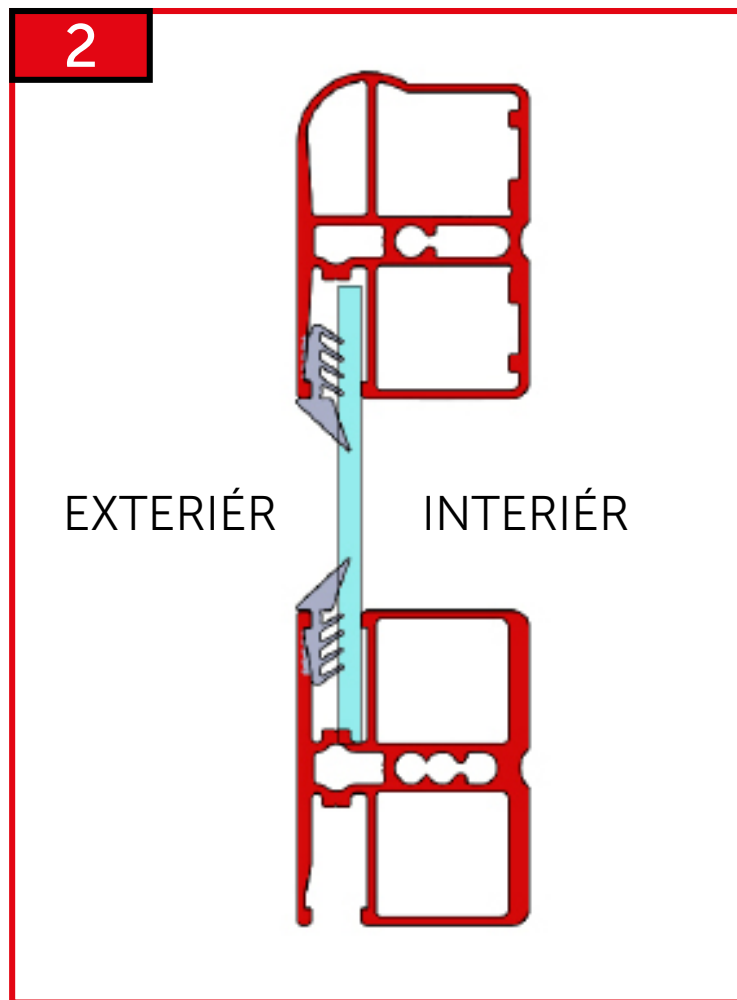
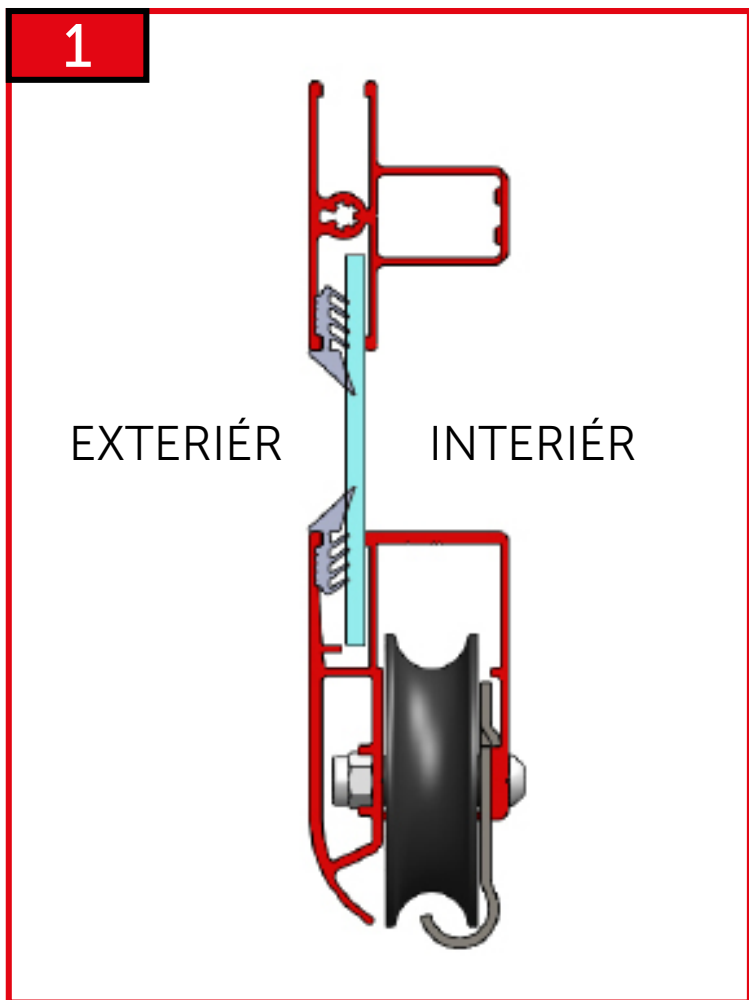


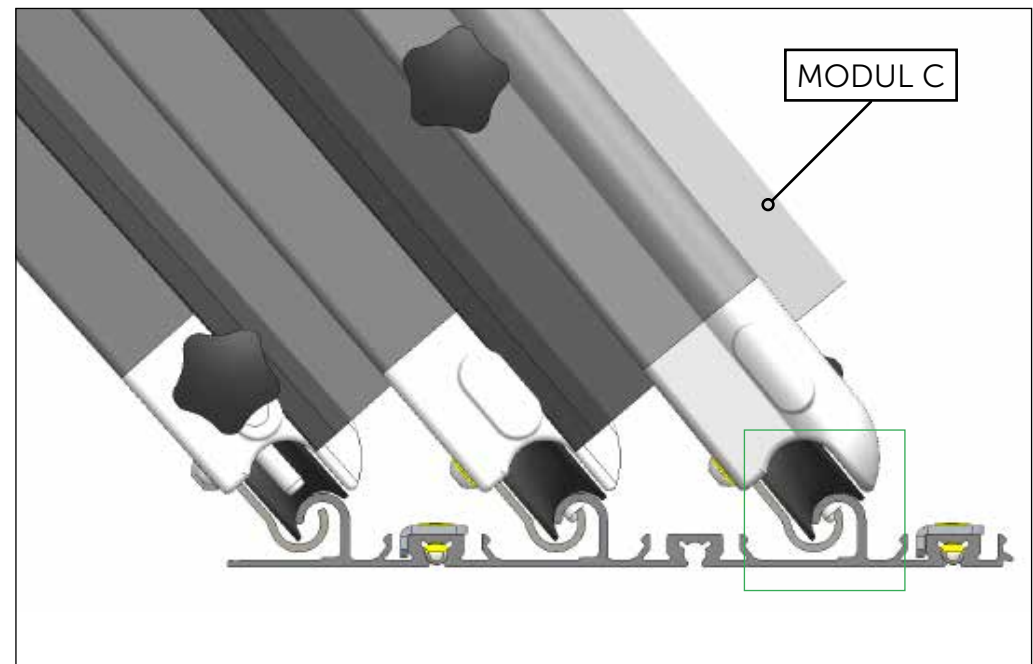
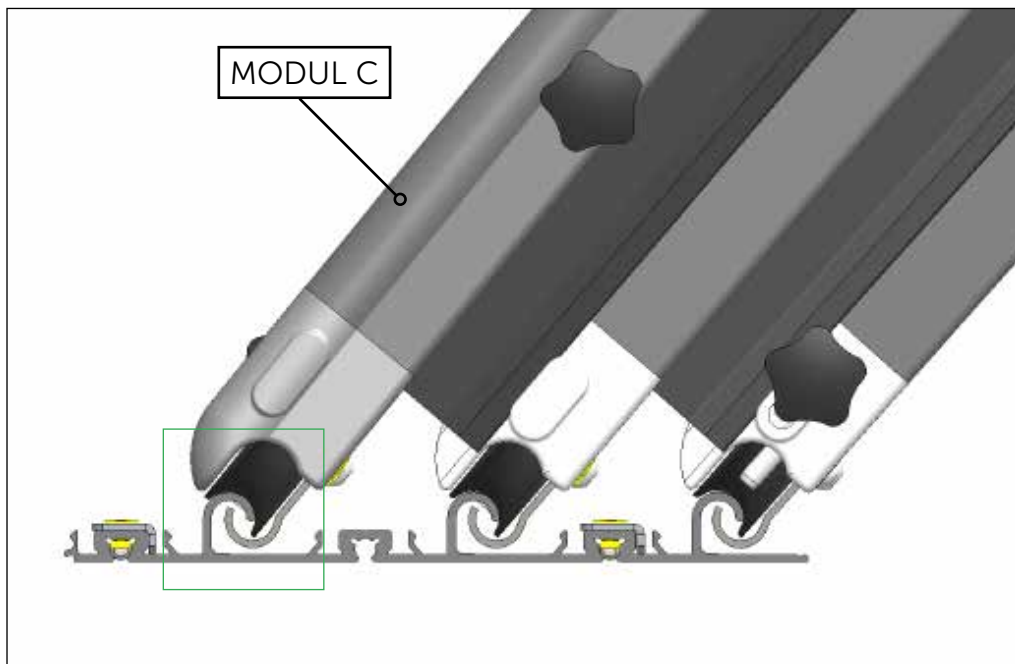
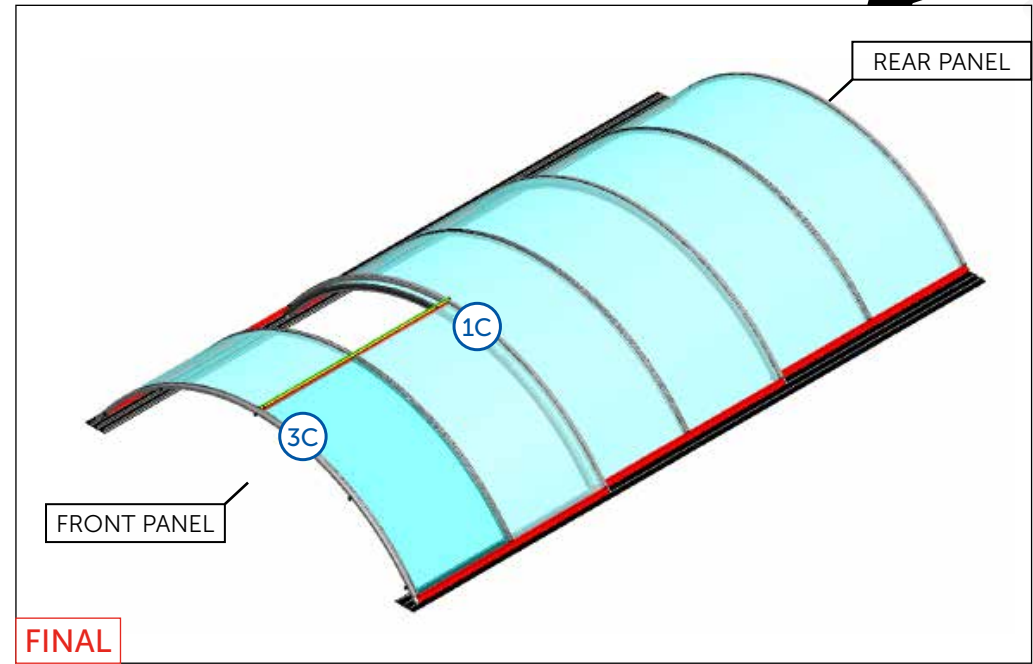
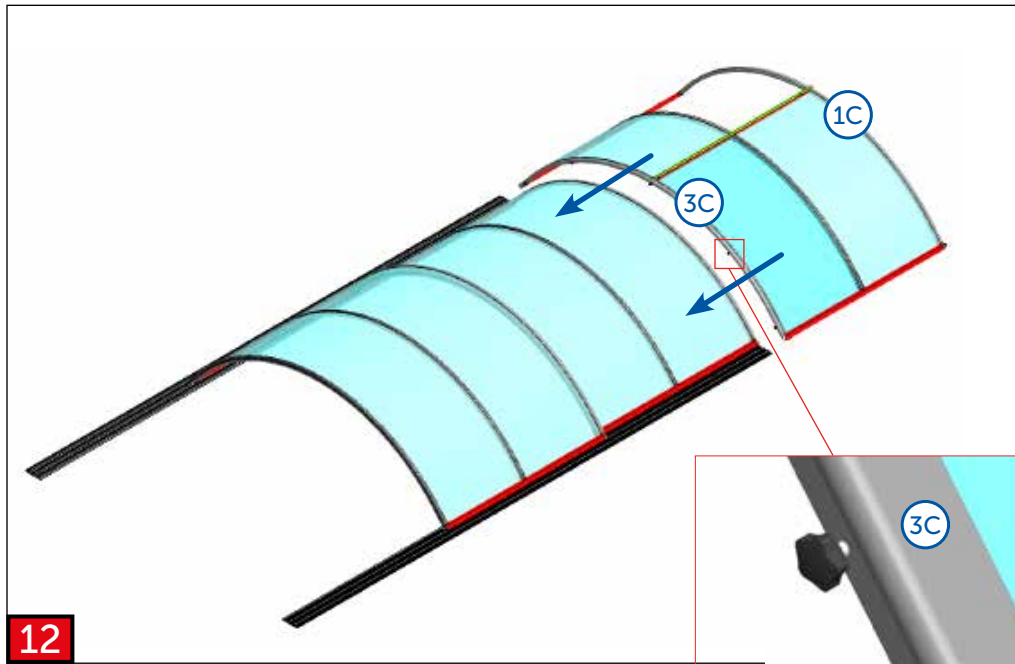


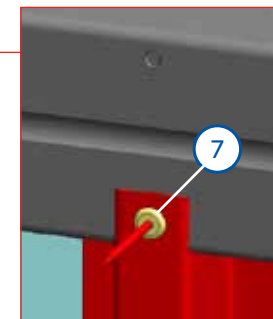
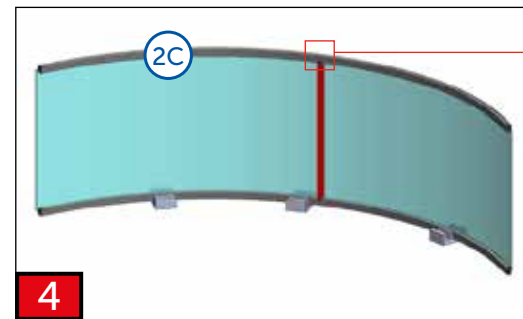
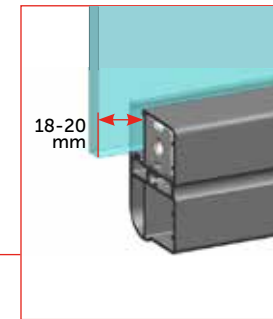
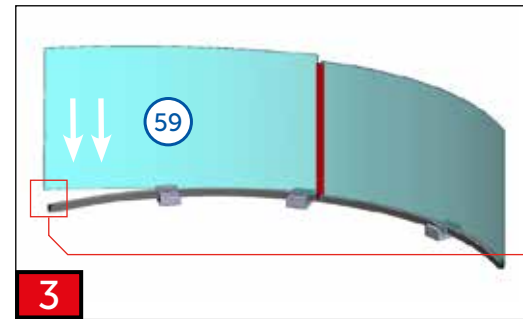
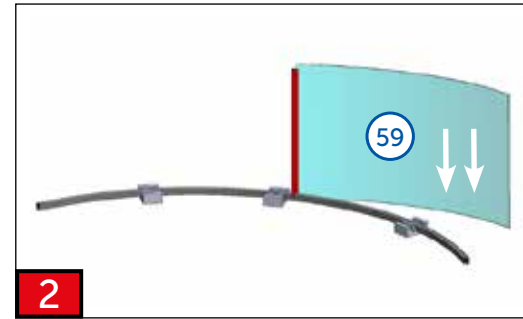
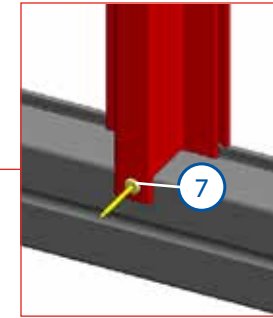
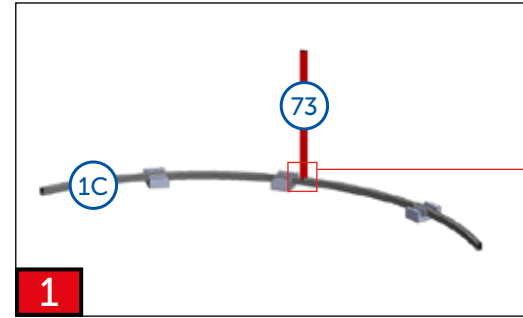
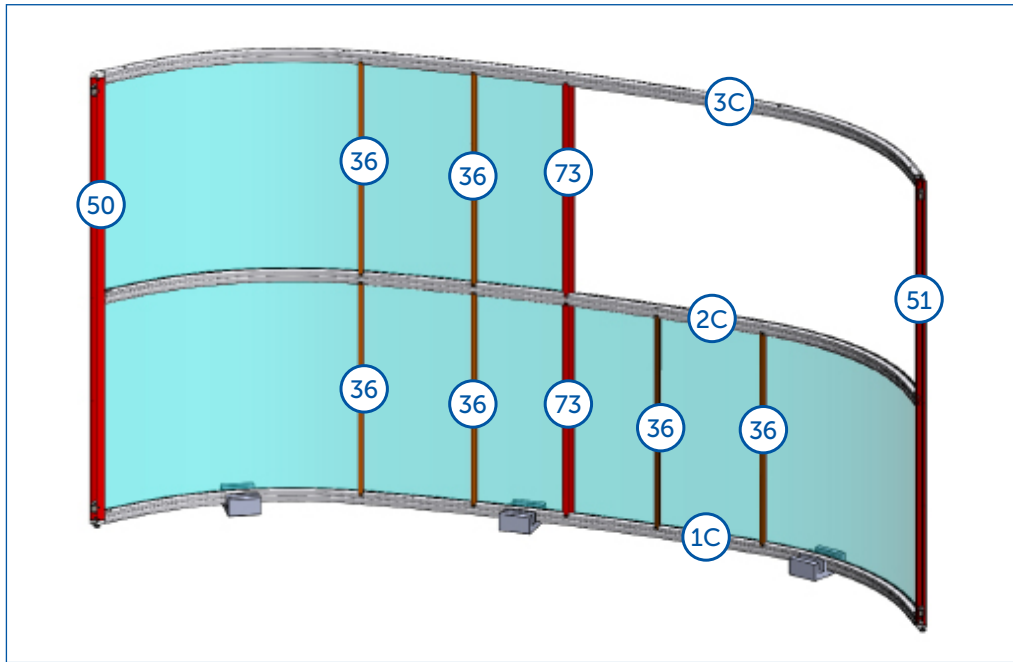












**5** **6** **7** **8** **9** **9a** **9b** **9c**

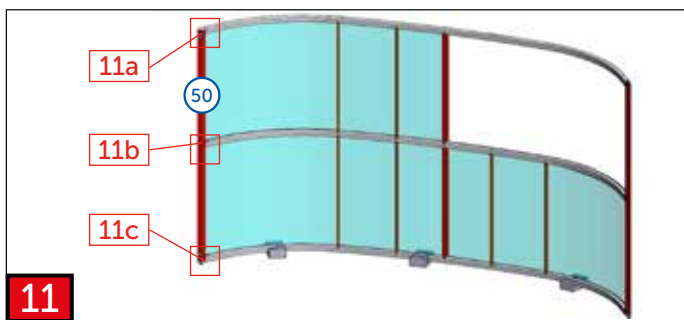
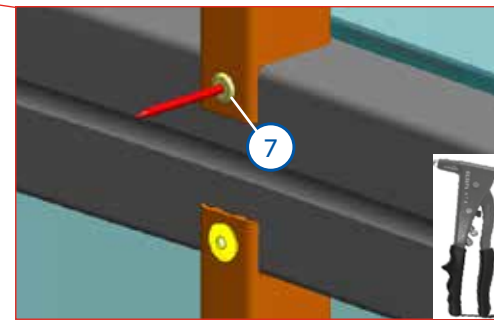
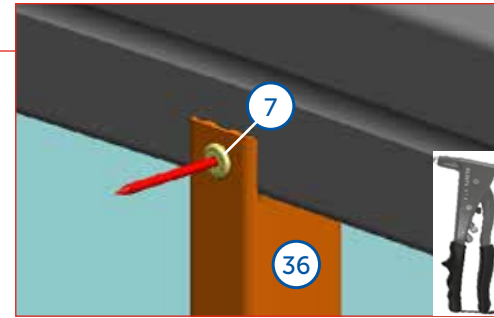
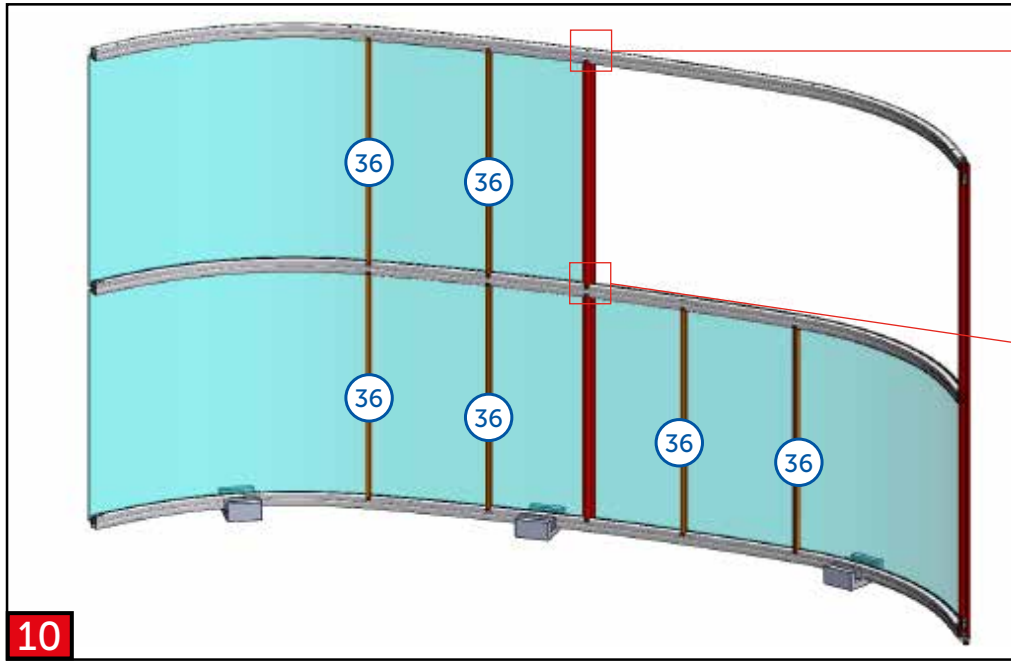
36 7 51 9a 9b 9c 73 59 3c 13 3

$M_{max.} = 25 \text{ Nm}$

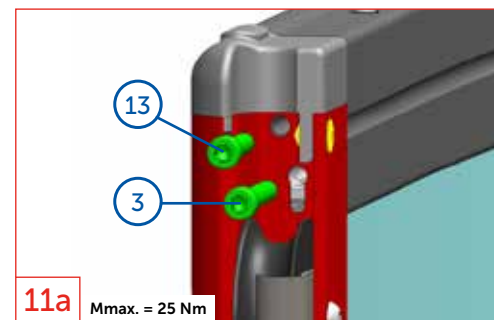
FINAL

FINAL

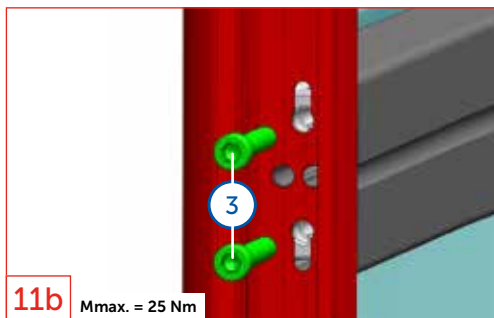
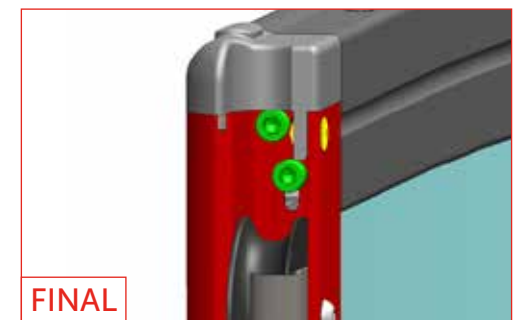
FINAL



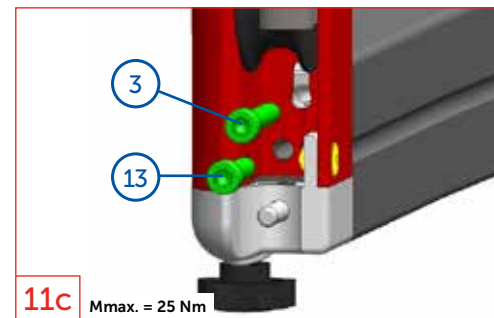
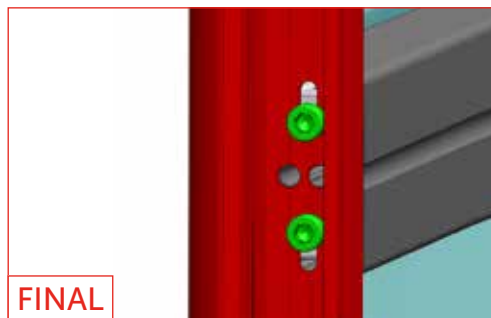
**11**



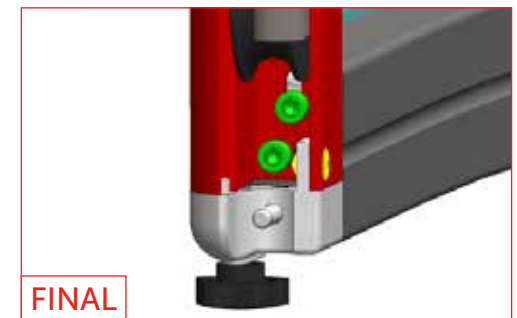
Mmax. = 25 Nm

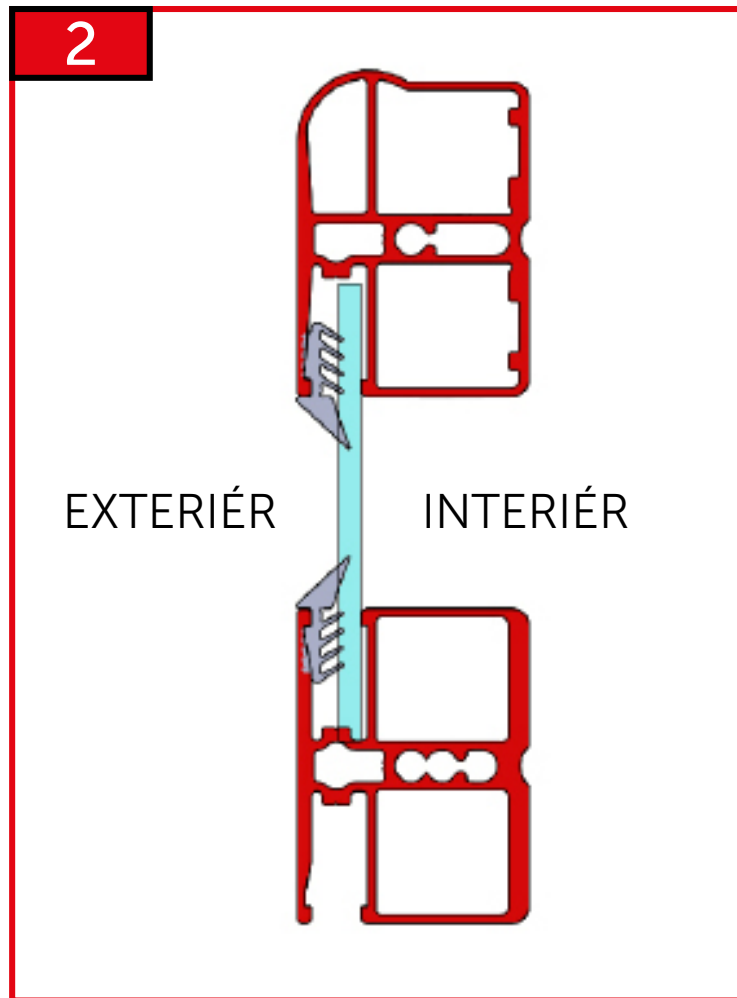
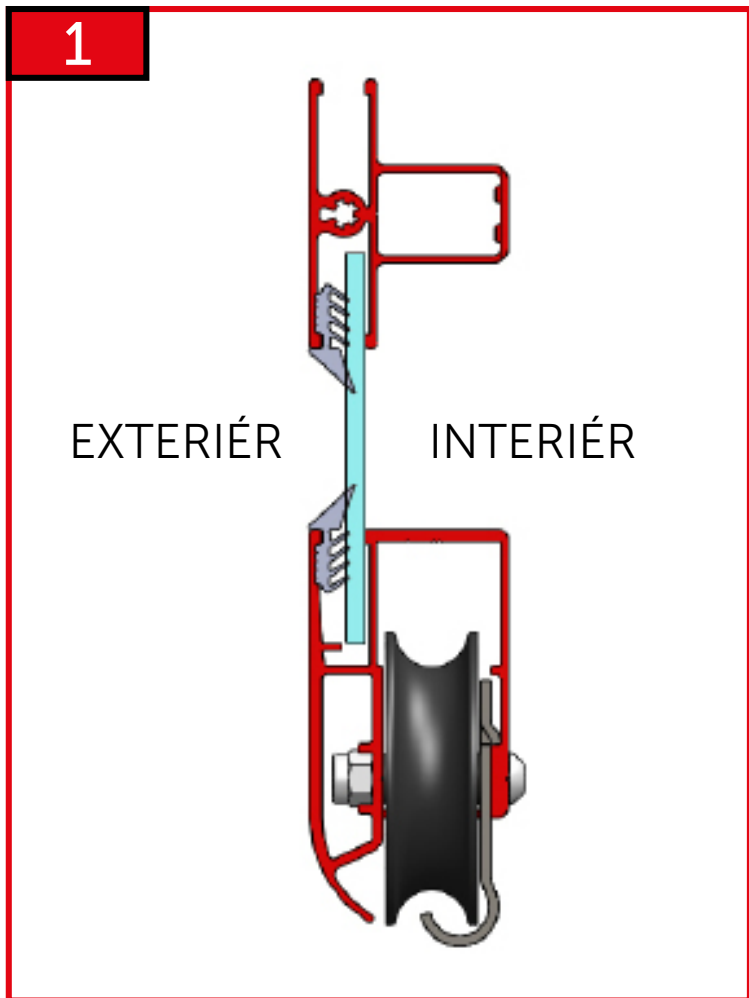


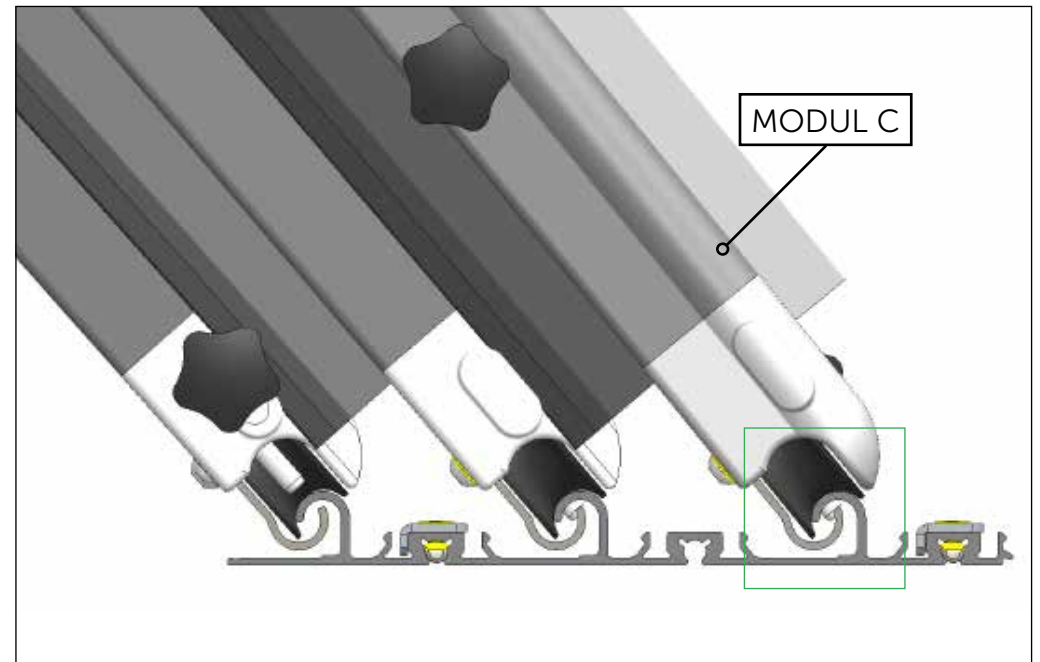
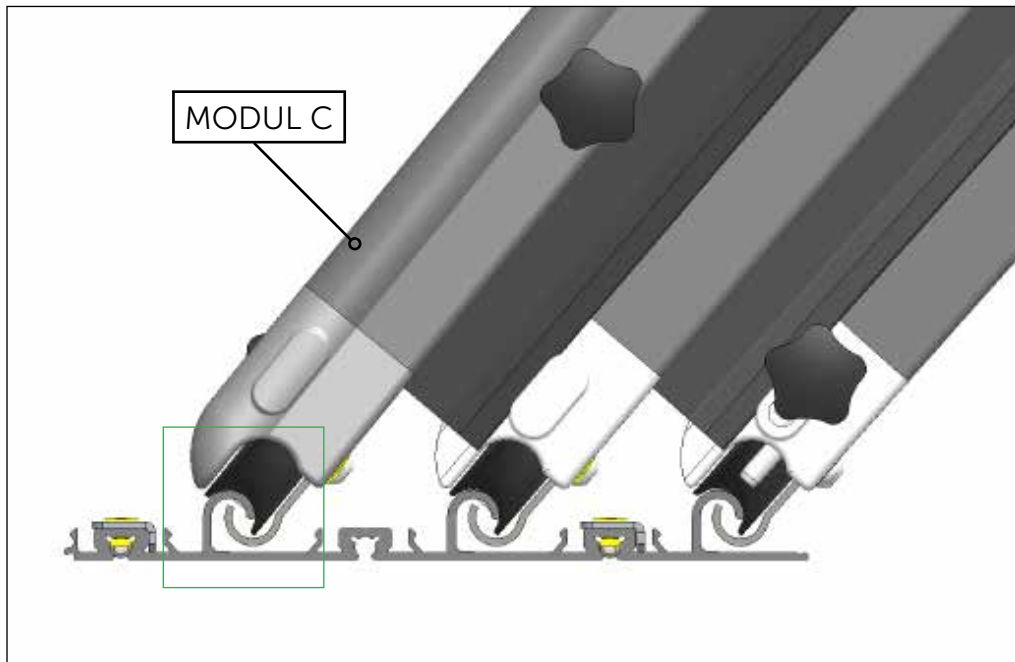
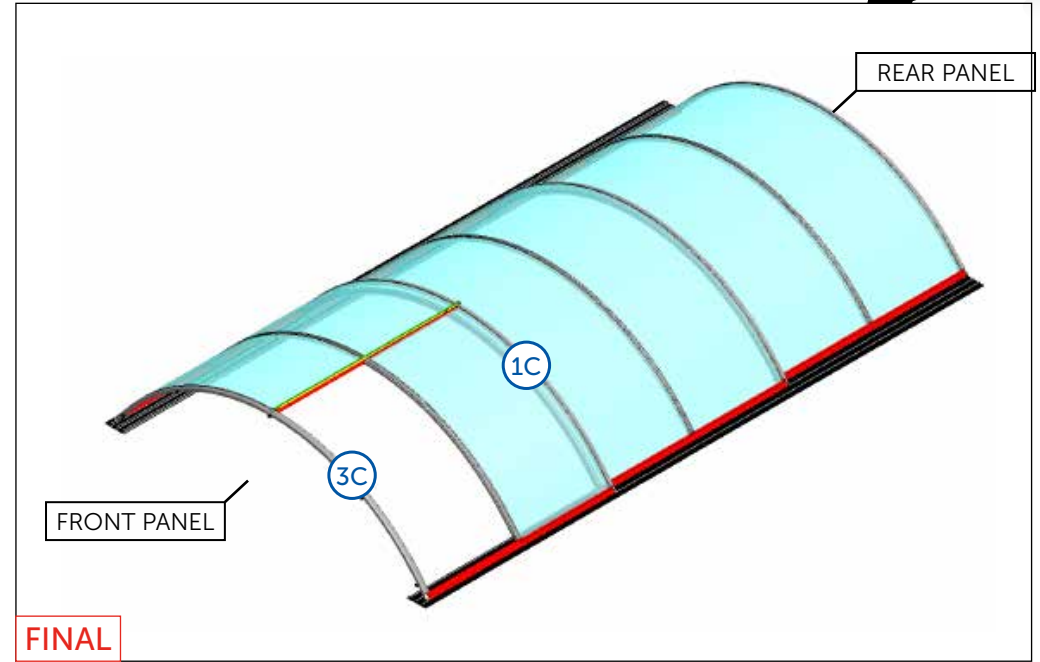
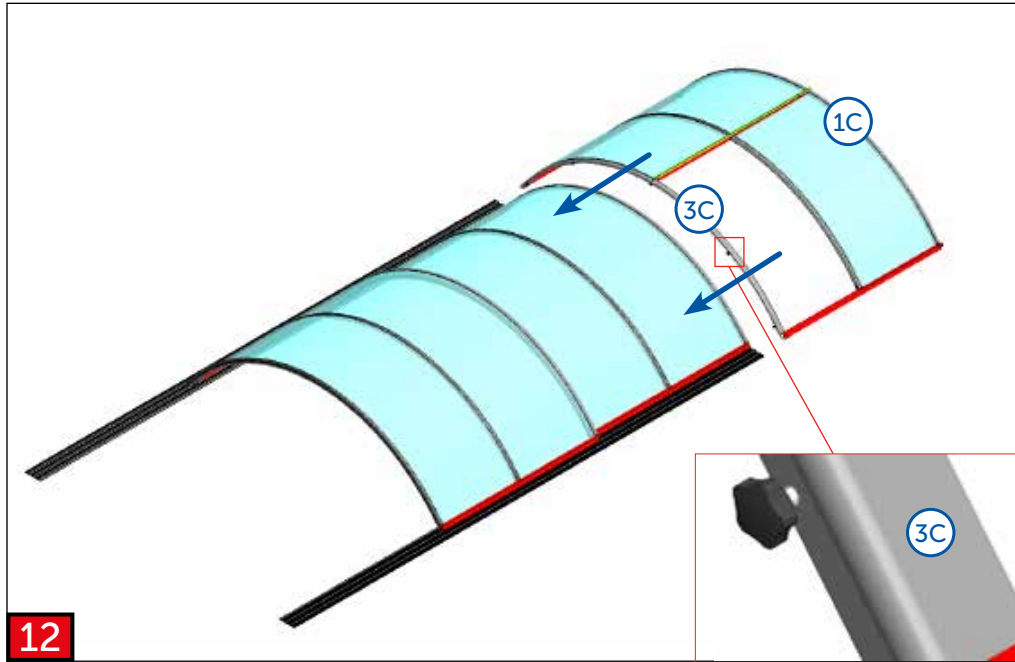
Mmax. = 25 Nm



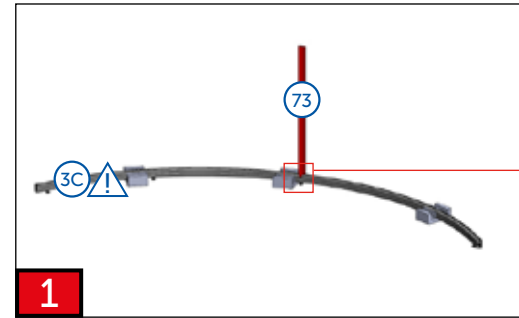
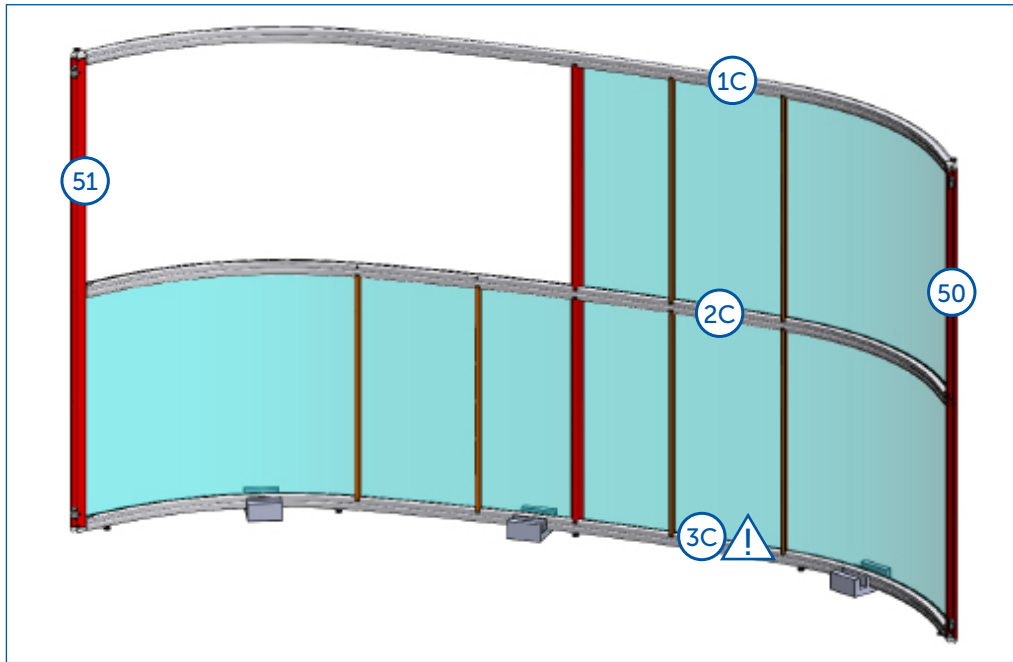
Mmax. = 25 Nm



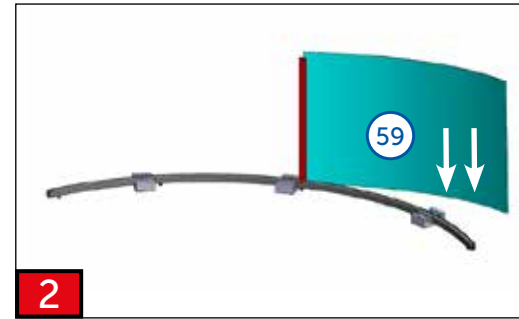
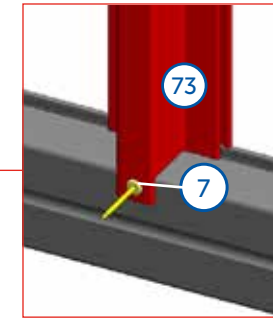








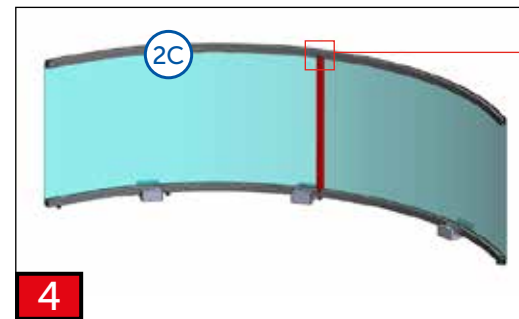
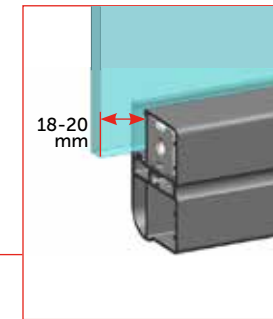
1



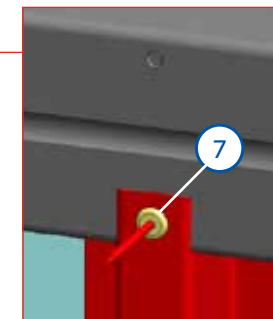
2

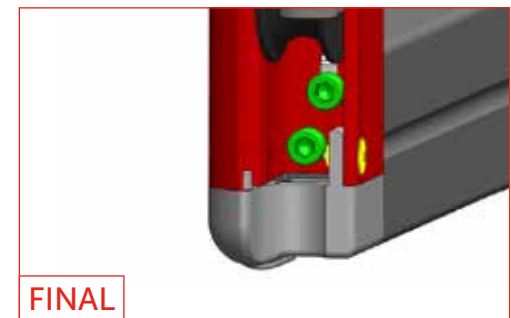
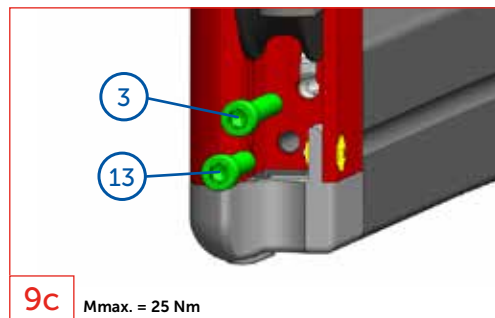
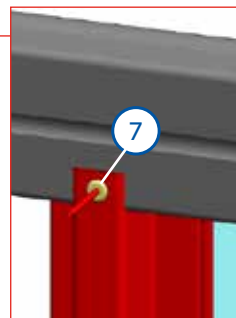
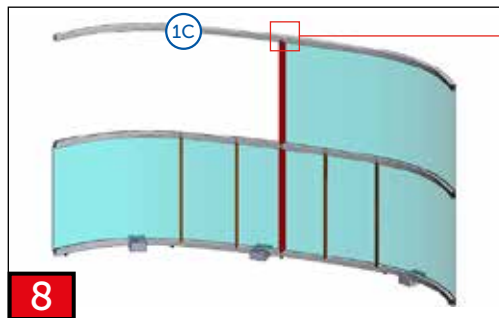
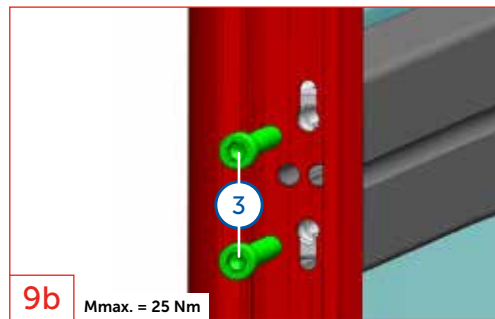
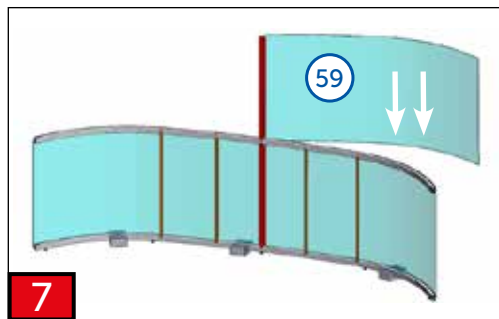
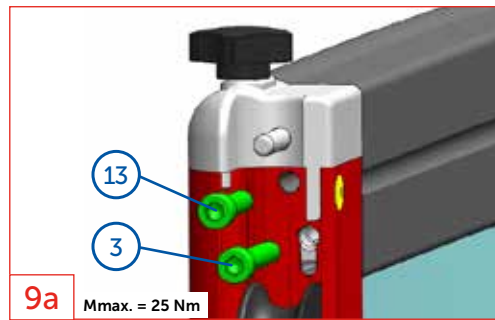
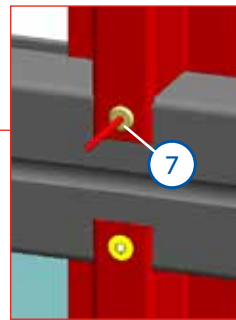
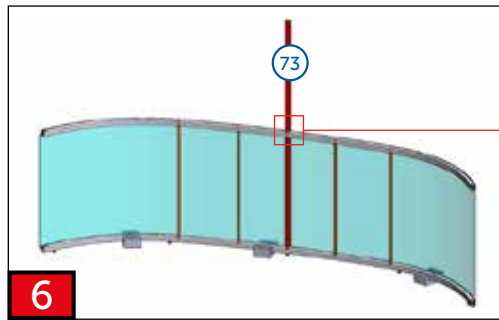
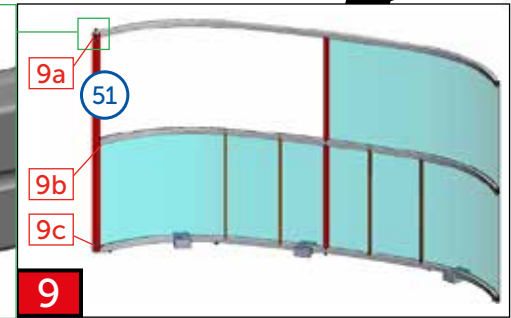
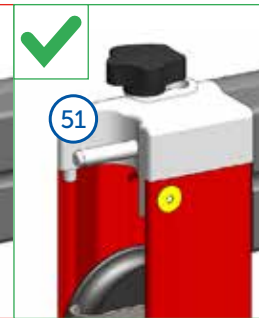
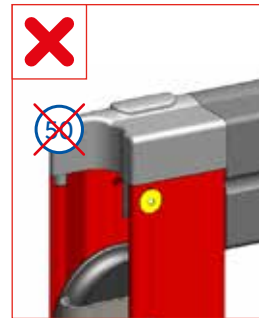
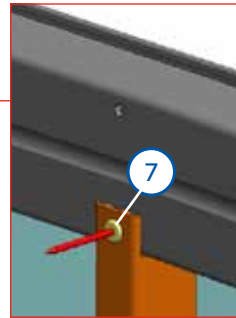
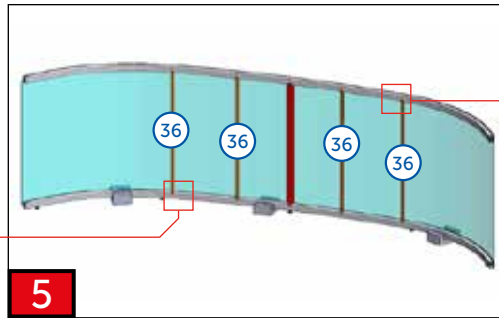
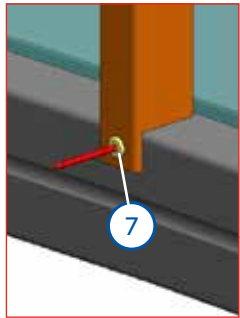


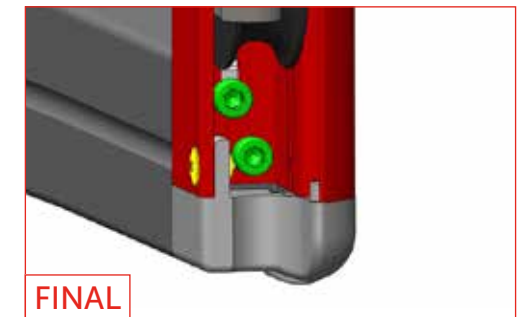
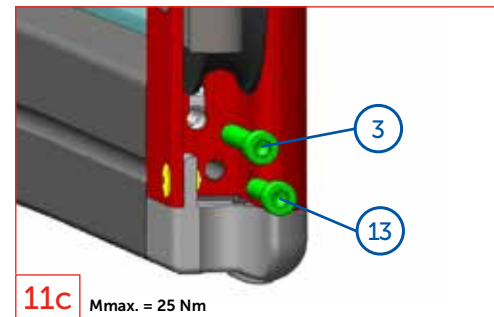
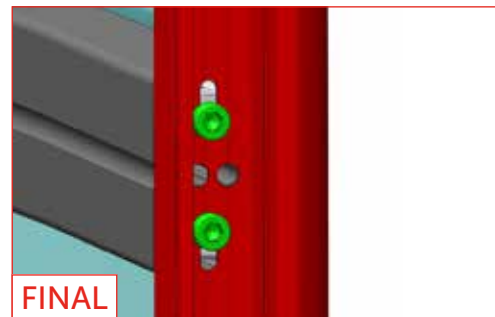
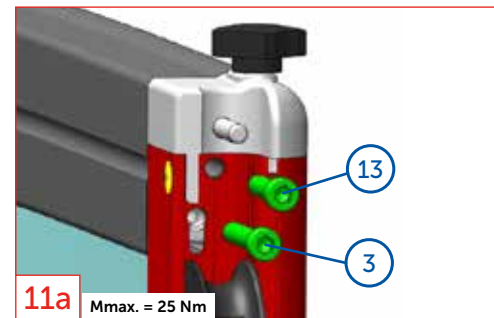
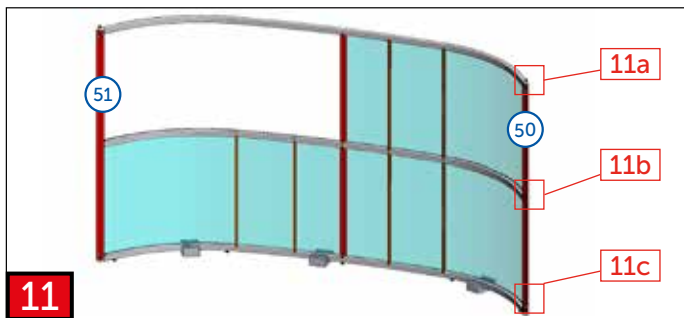
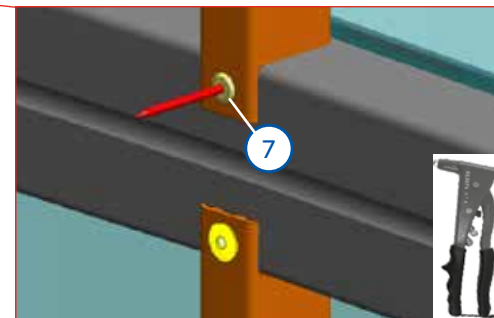
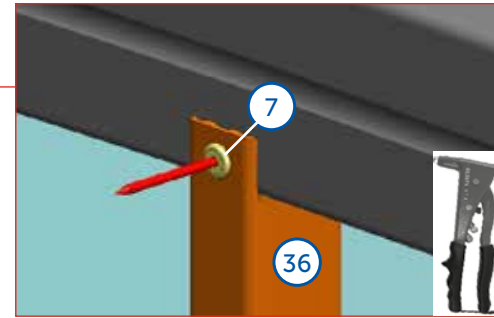
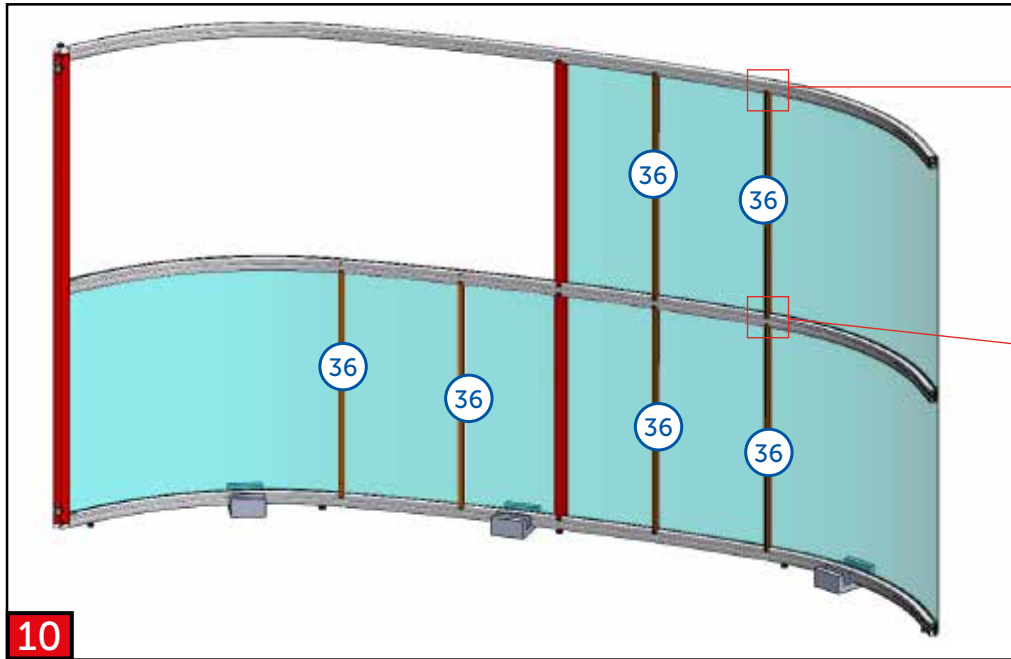
3

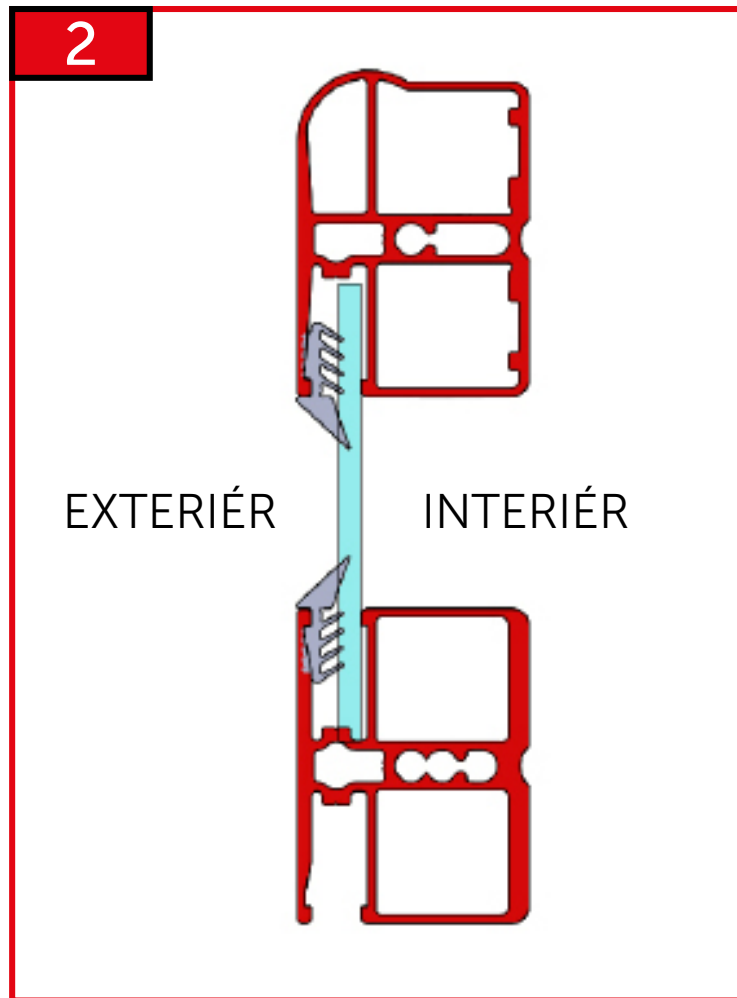
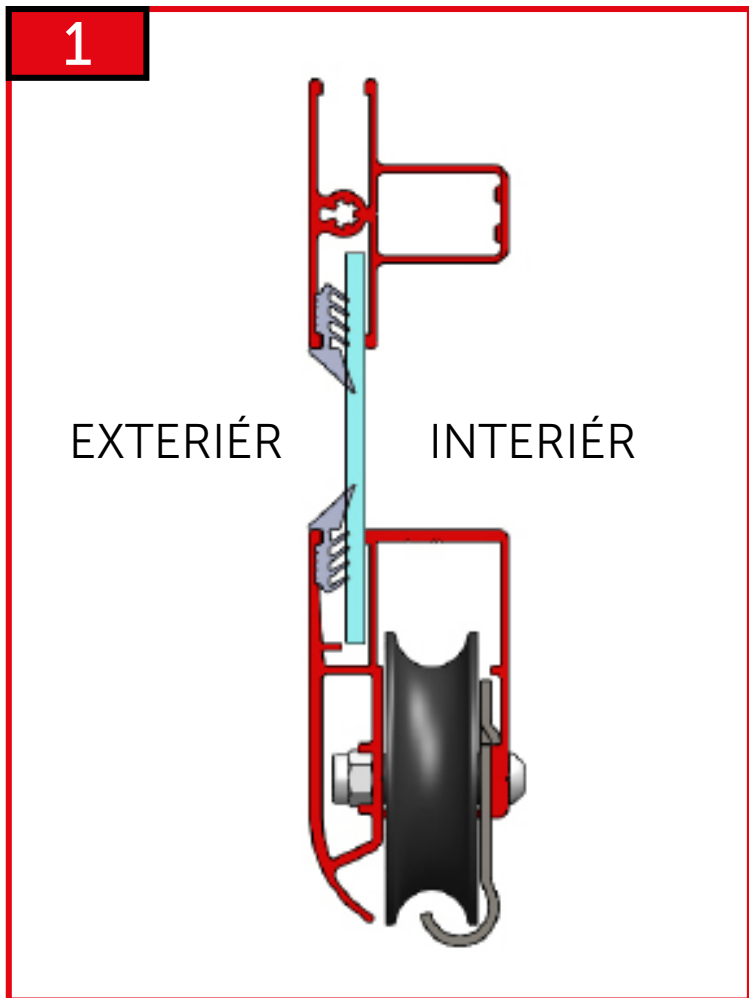


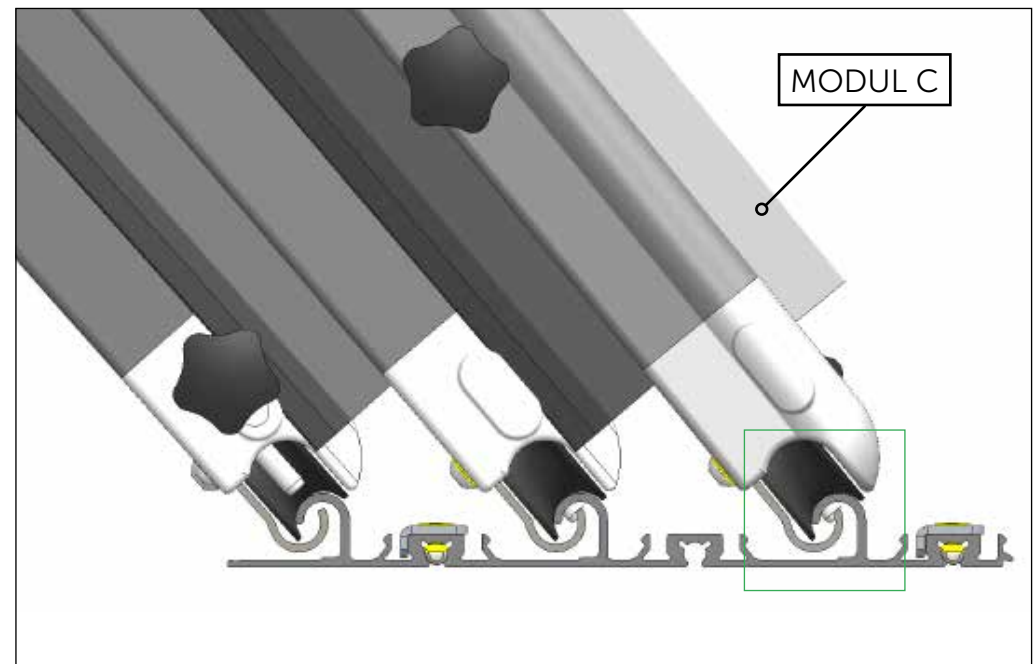
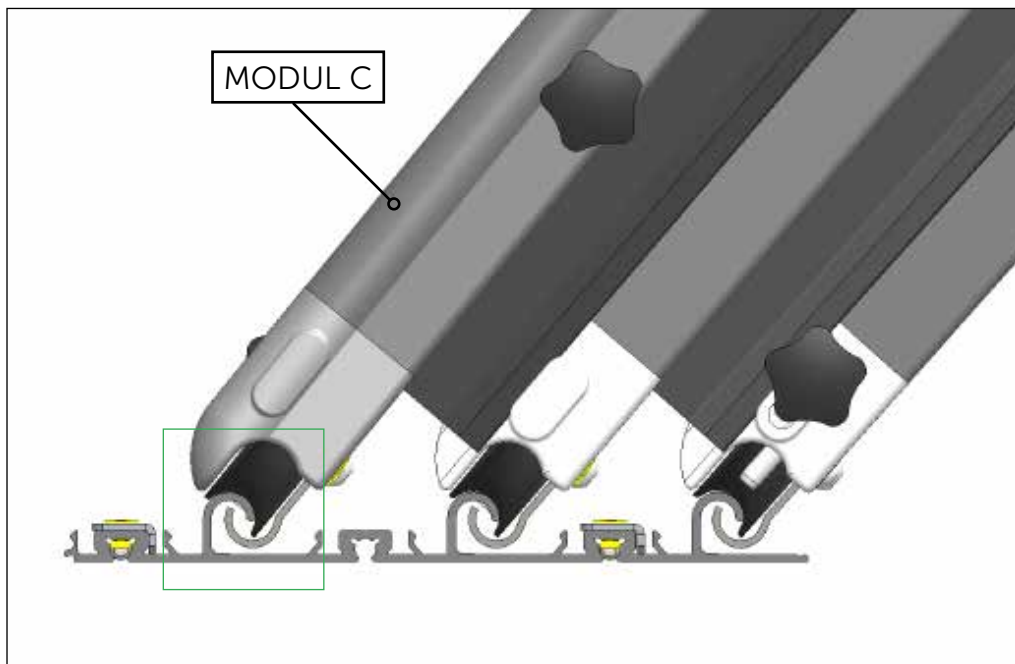
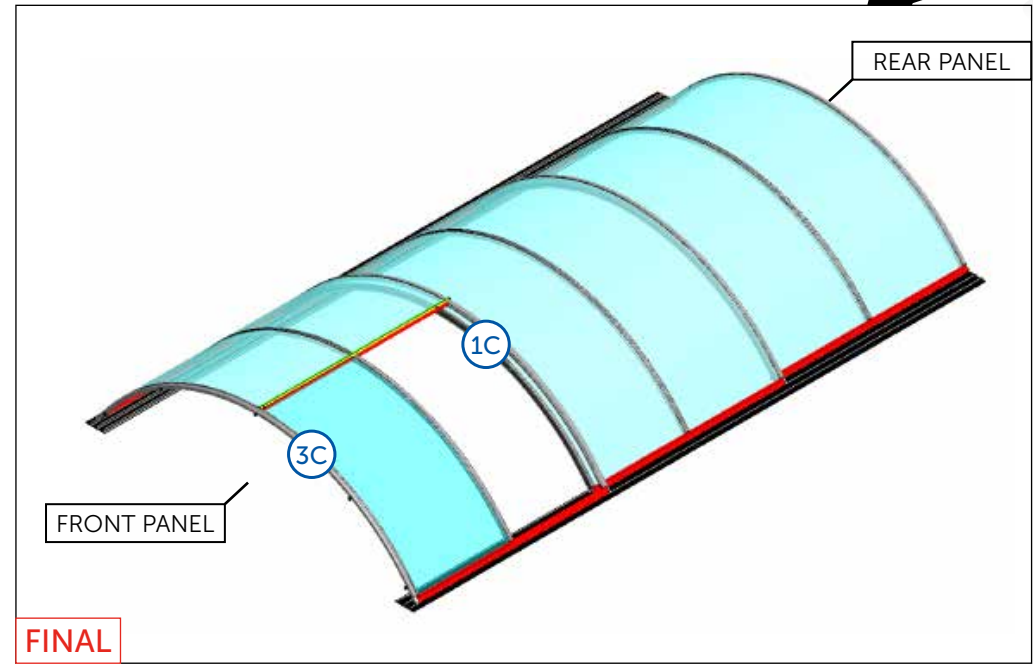
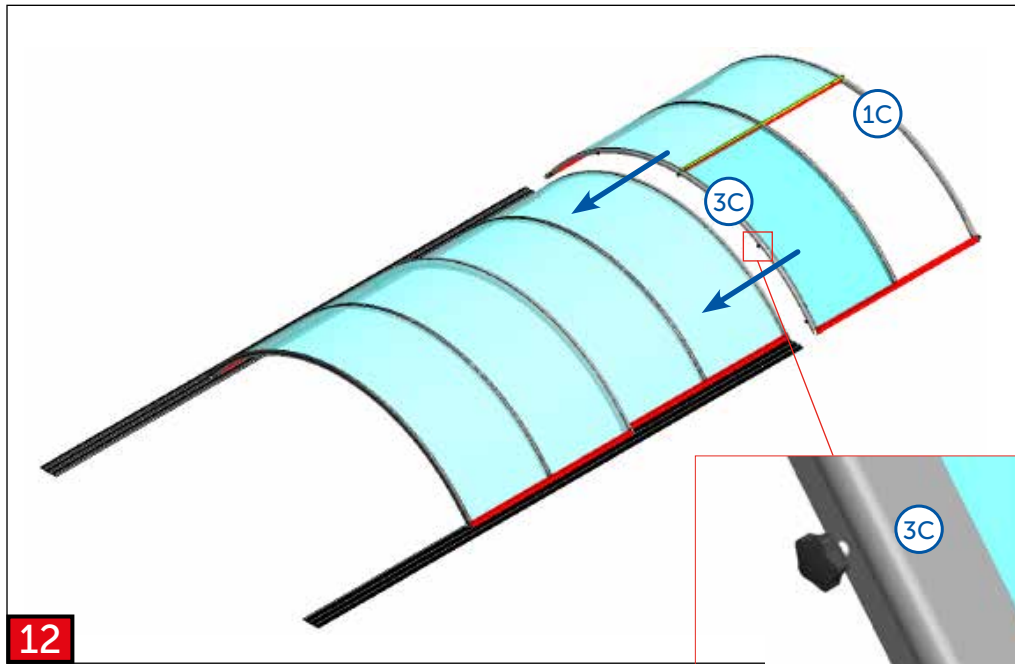
4











ZZ02-06-SB003D-DB 703  
ZZ02-06-SB003C-SILVER ELOX

1x  
**69**

ZZ02-06-SB002D-DB 703  
ZZ02-06-SB002C-SILVER ELOX

1x  
**70**

INTERIOR PKB    INTERIOR CLEAR

1SP11-01-029

AN 9051  
6,3 x 50  
4x  
**3**

1SP07-01-001

ø4 x 10  
4x  
**7**

1SP11-01-027

AN 9051  
6,3 x 38  
4x  
**13**

1NA03-01-050

**17**

1041 mm  
2x  
**36**

ZZ04-01-SD001D-DB 703  
ZZ04-01-SD001C-SILVER ELOX

EXTERIOR PKB    EXTERIOR CLEAR

UV

ZZ02-02-SR009D-DB 703  
ZZ02-02-SR009C-SILVER ELOX

2x  
**74**

OUT    MODUL

MODUL

2220x 1050 mm    1x  
**60**

1SZ12-02-006

2x  
6,3 x 38

KEY    2x

1x  
**75**

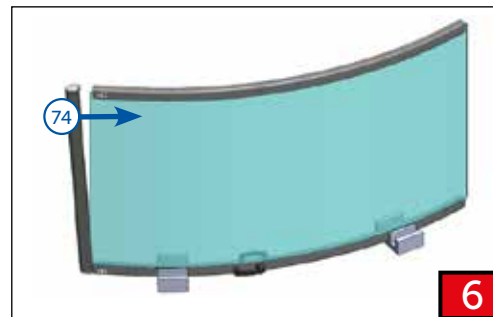
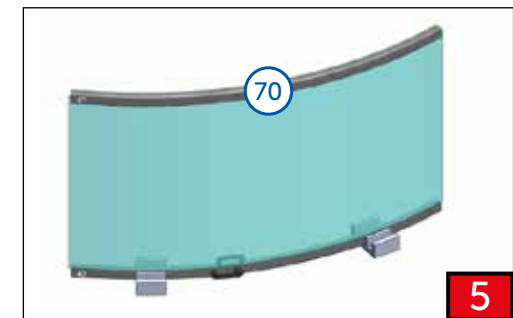
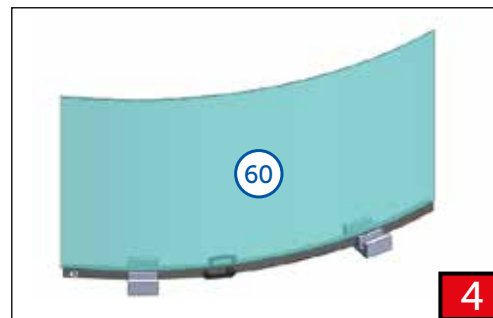
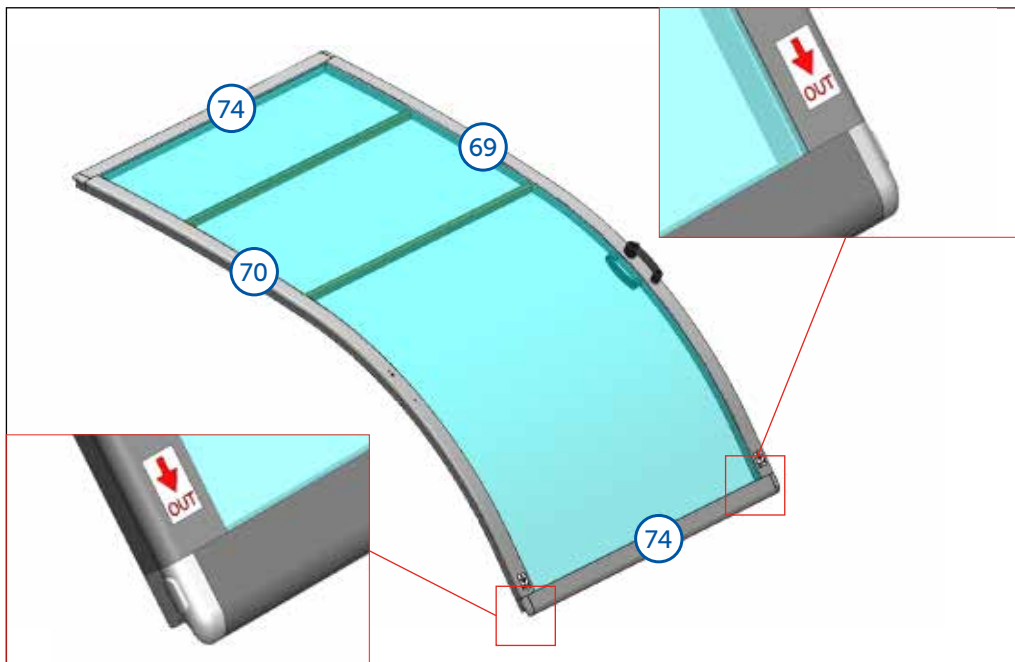
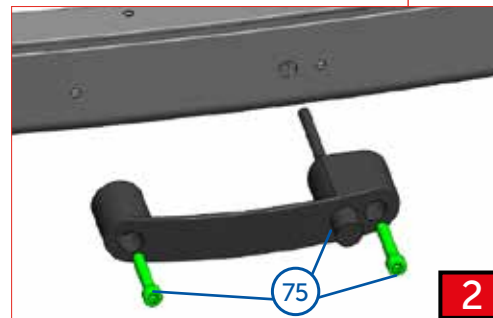
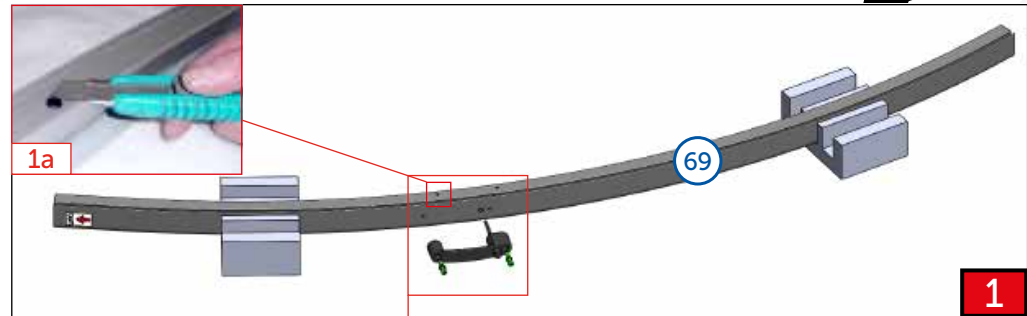
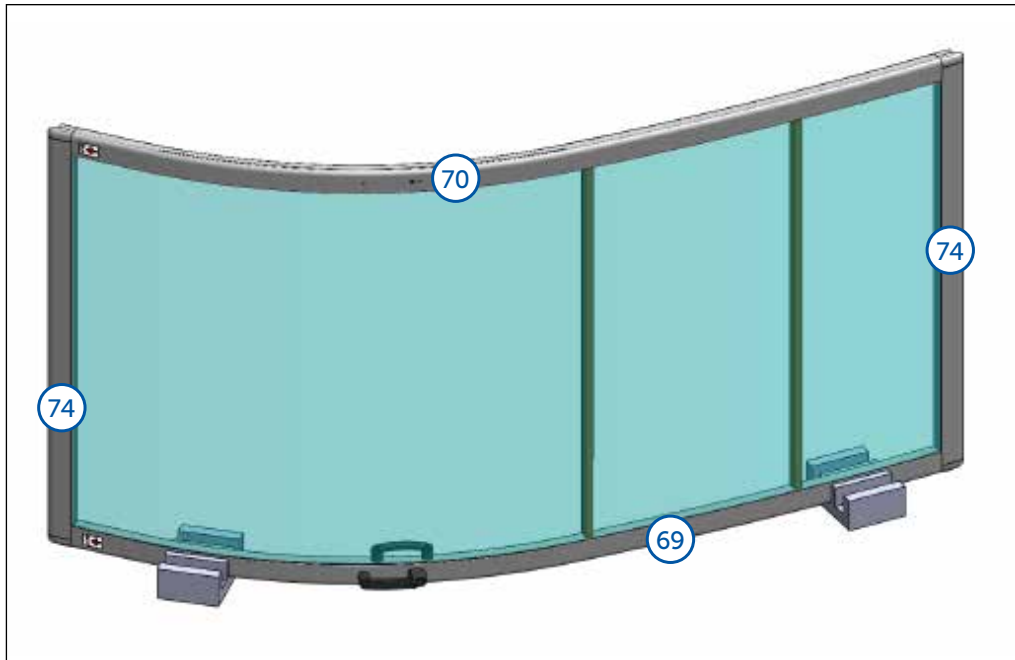
1SP11-01-024

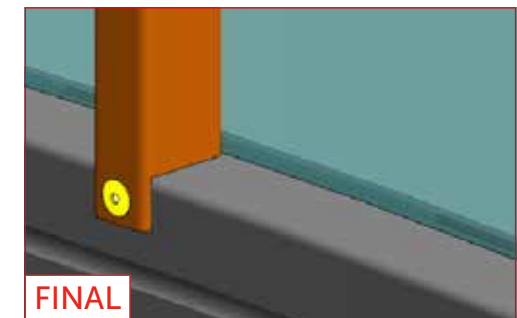
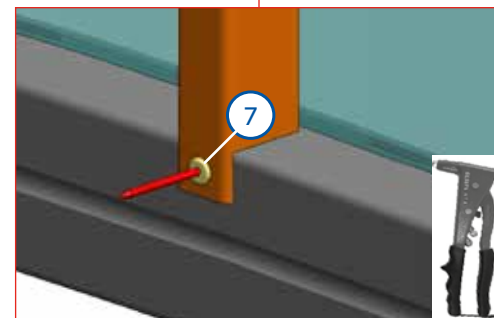
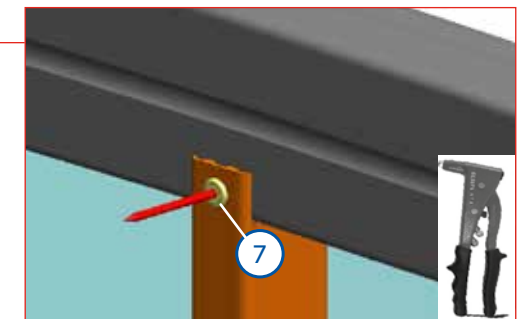
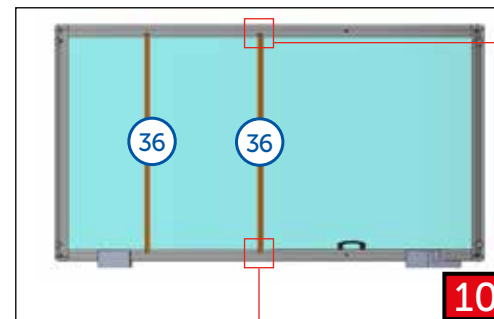
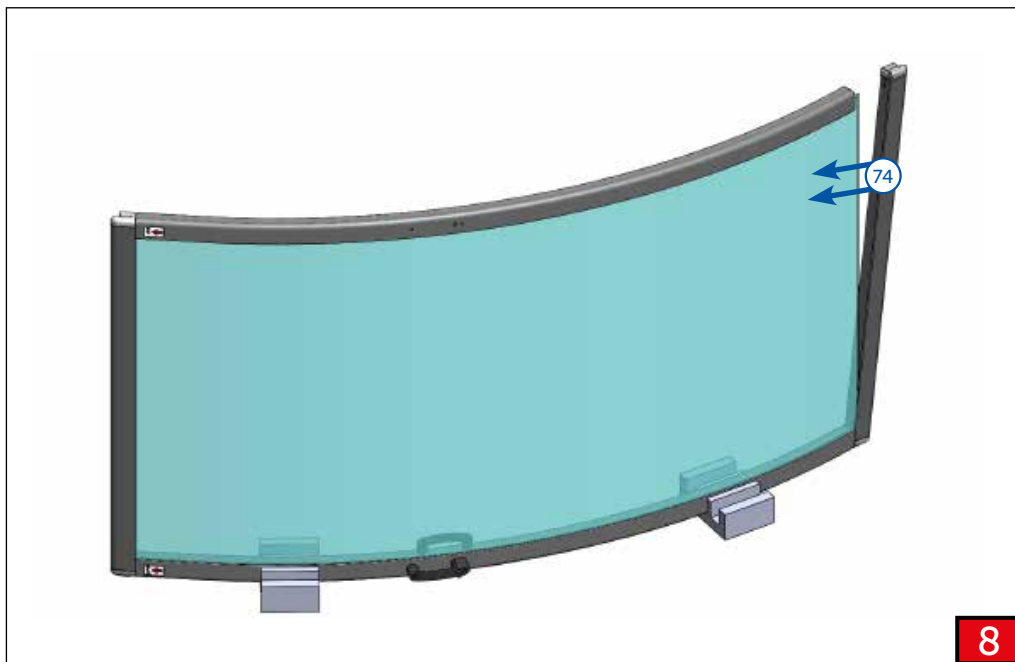
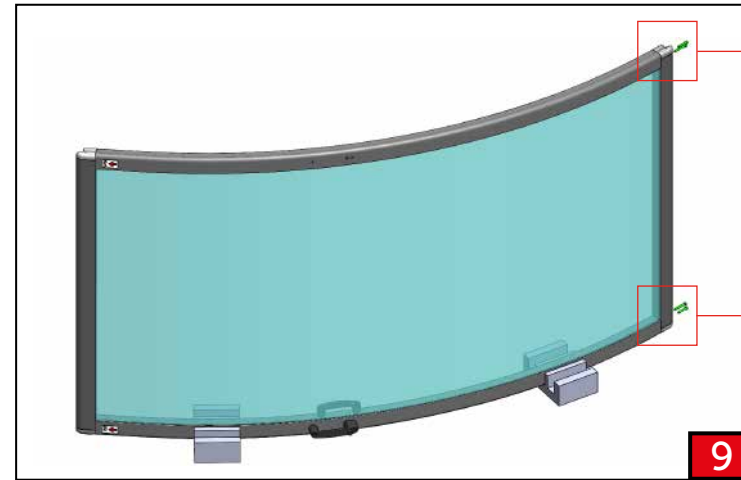
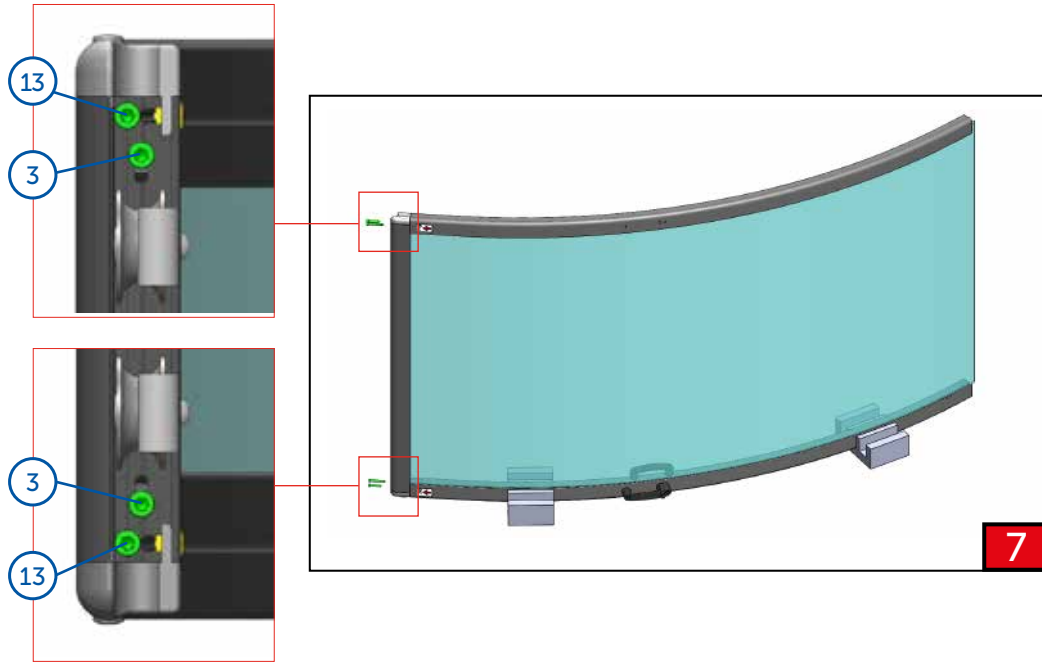
AN 9051  
6,3 x 19  
10x  
**77**

1SZ12-02-001

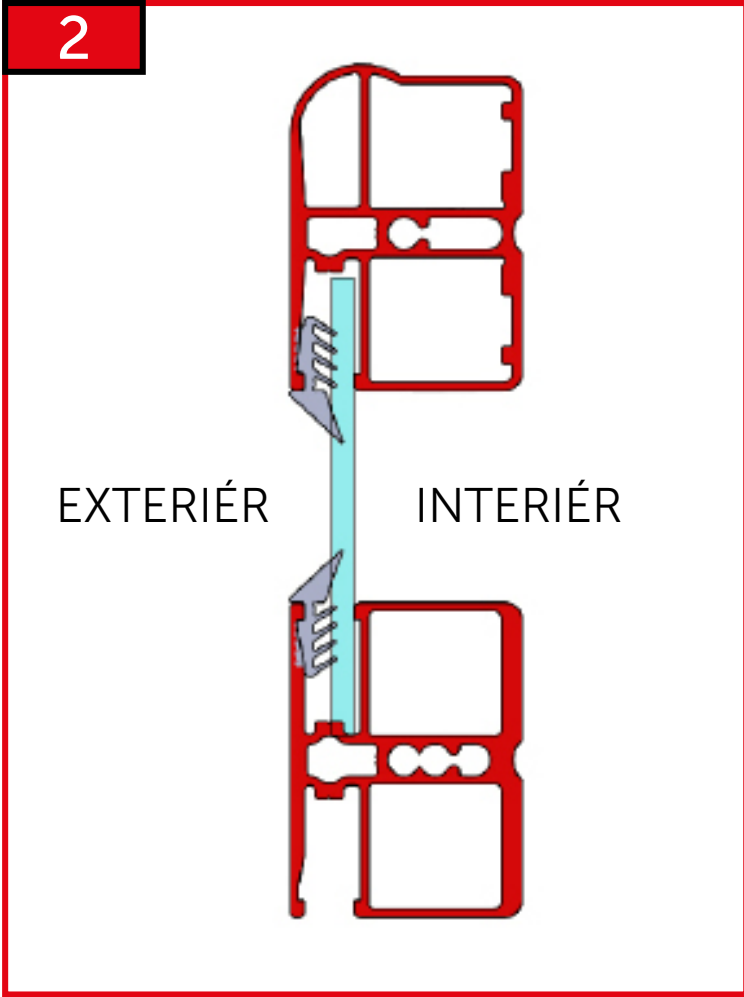
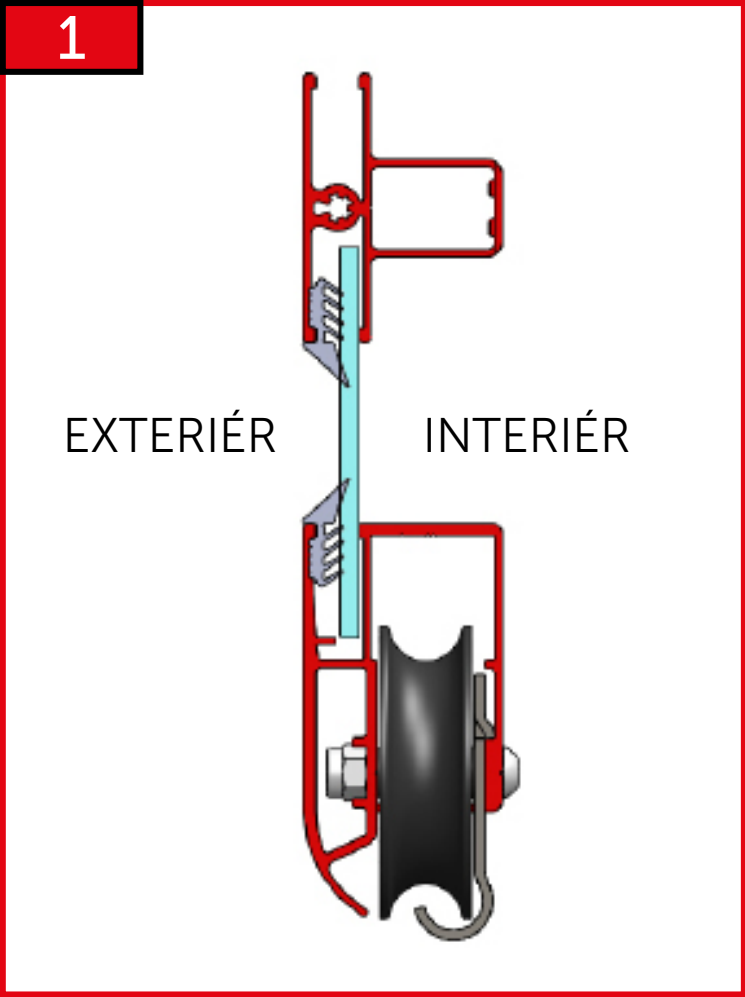
2x  
6,3 x 25

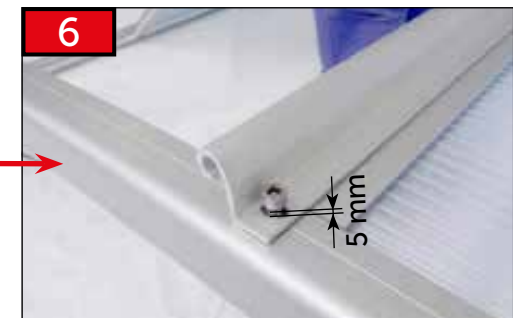
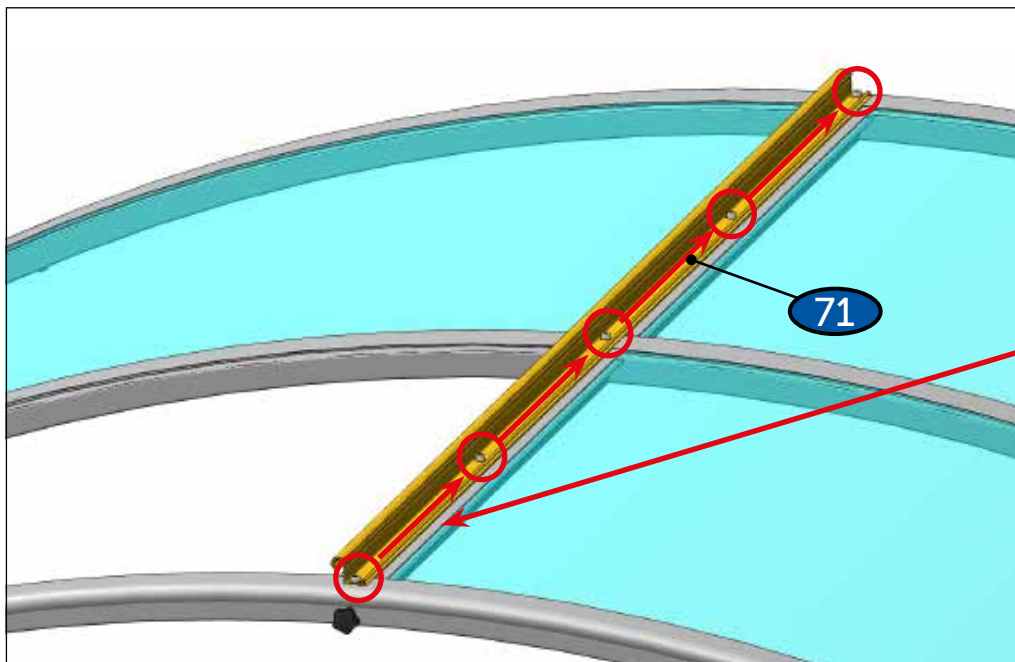
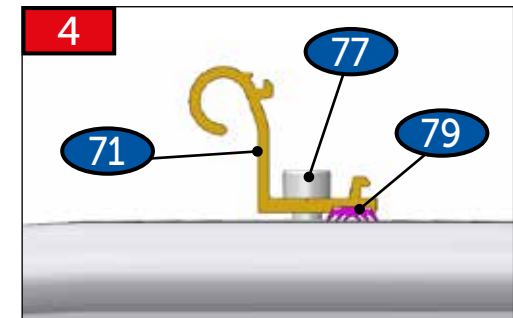
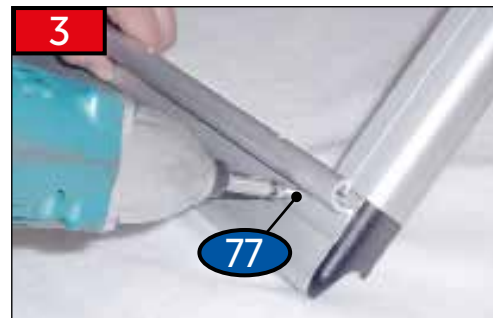
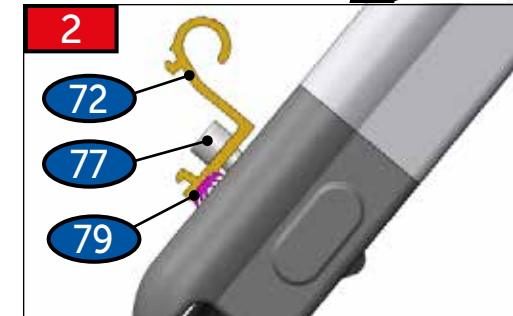
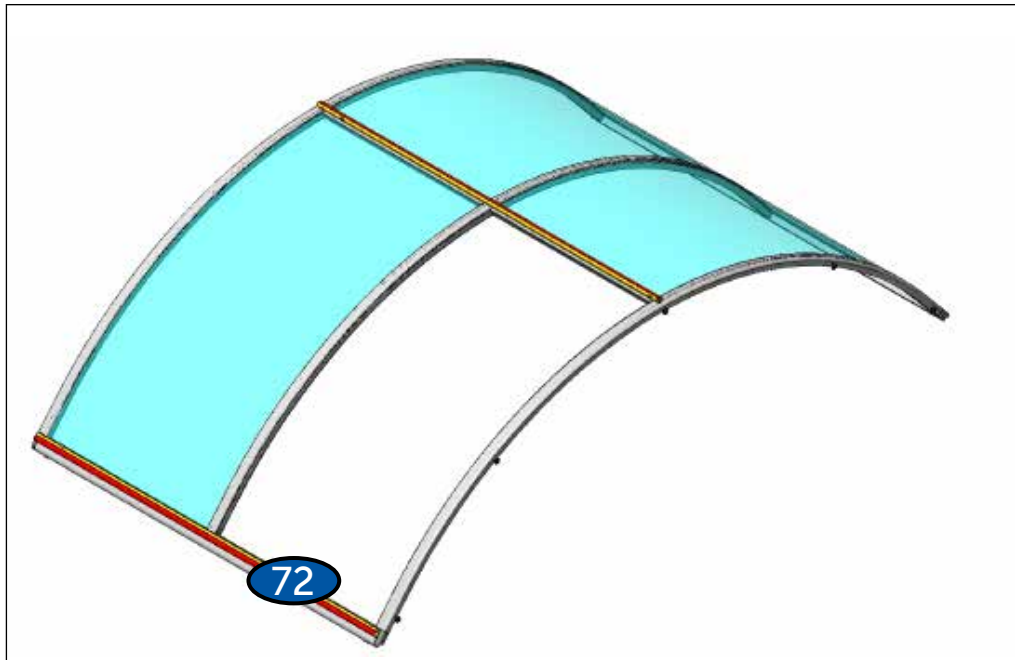
1x  
**78**

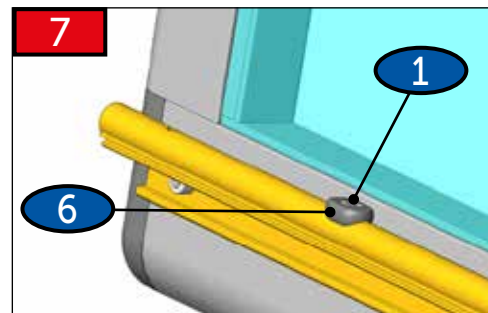
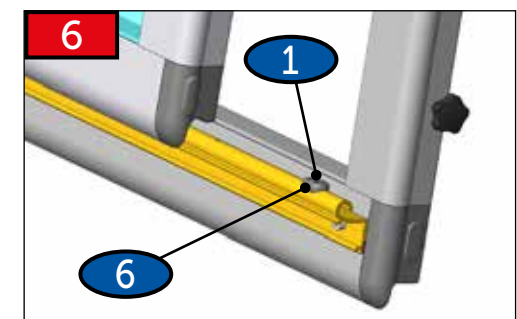
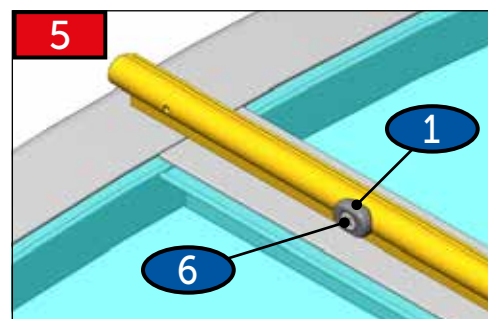
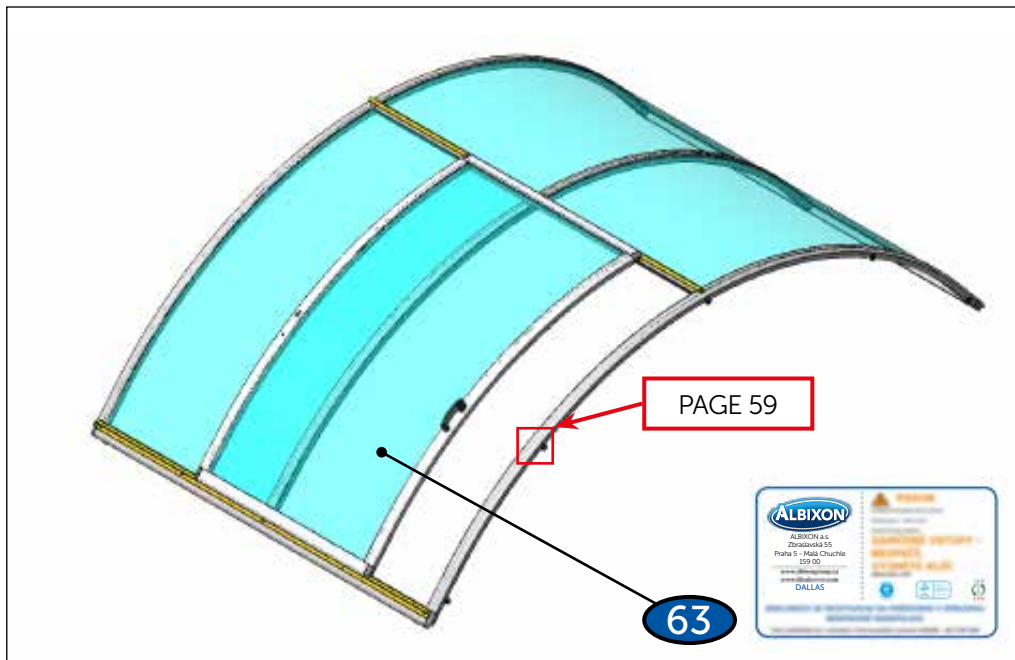
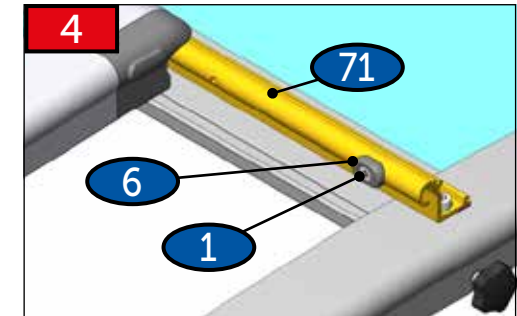
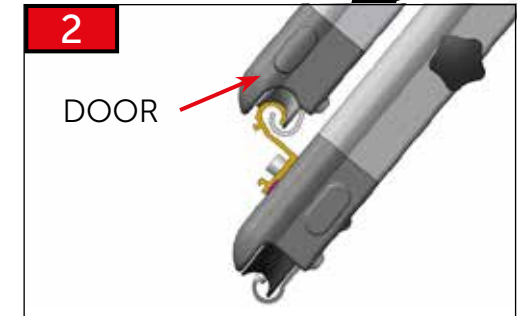
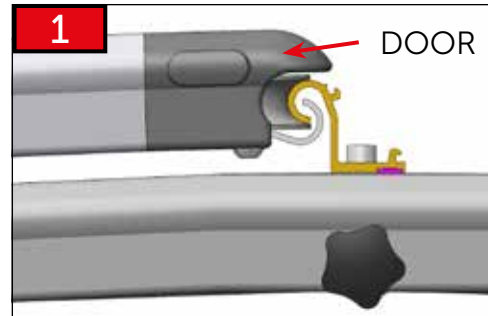
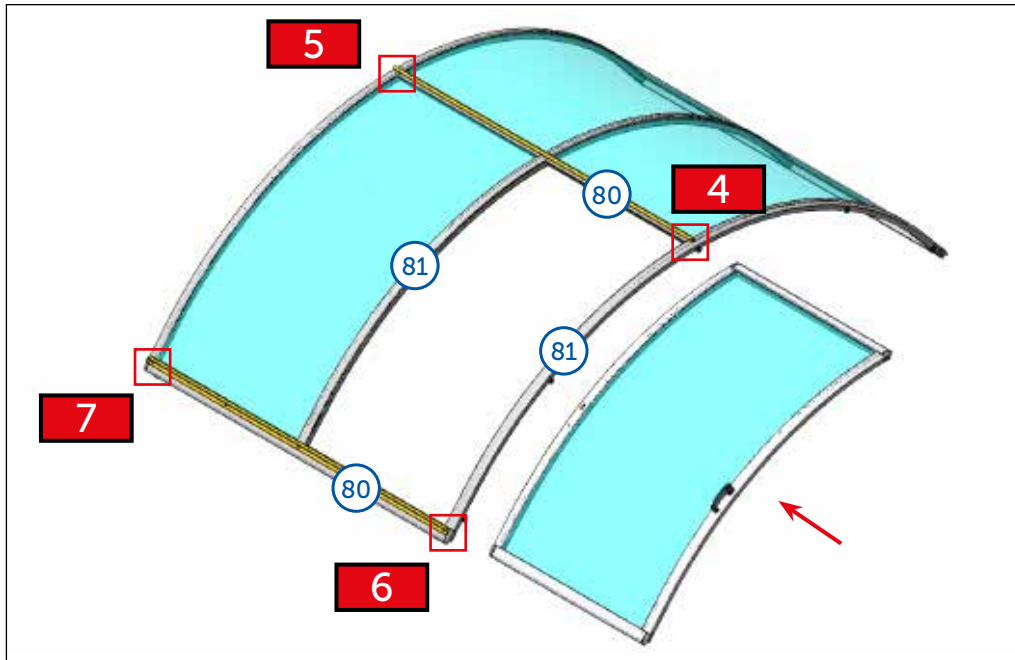


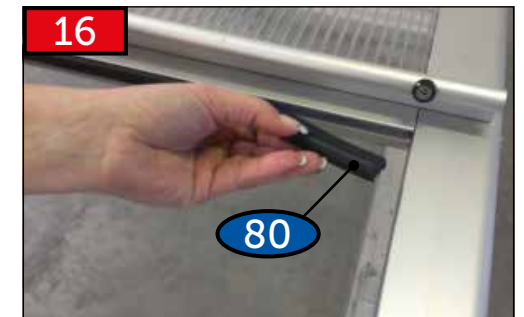
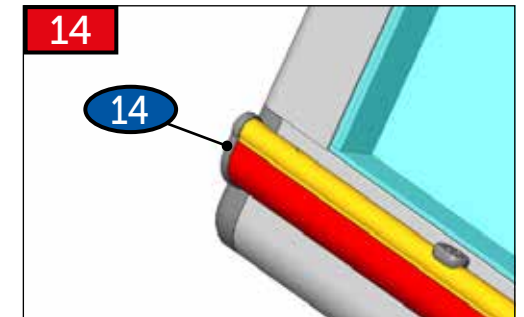
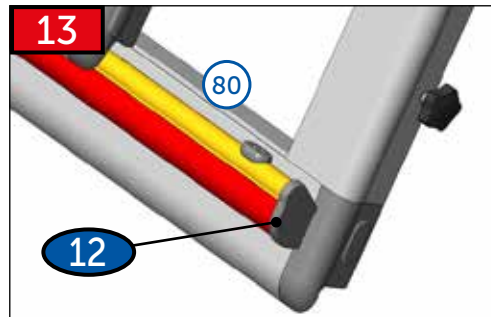
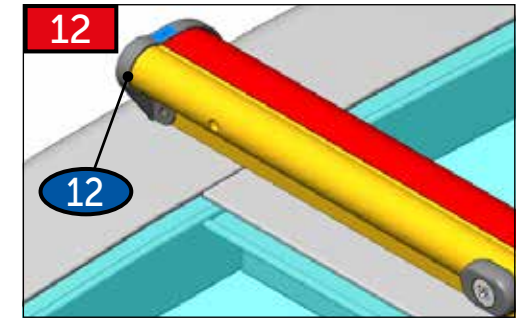
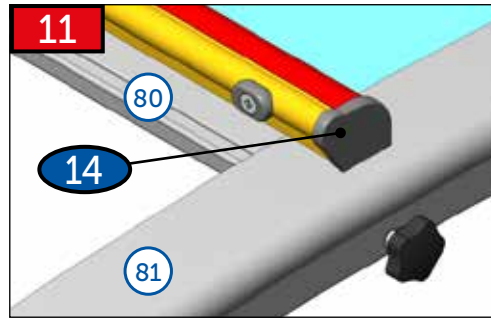
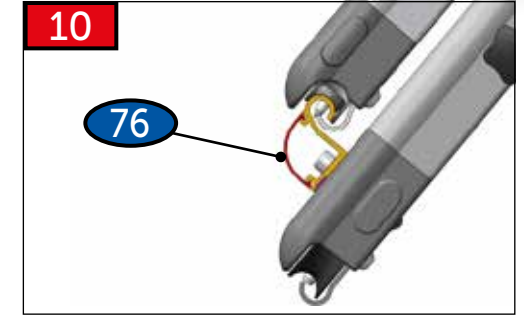
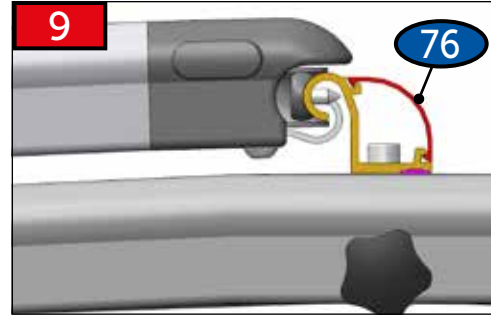
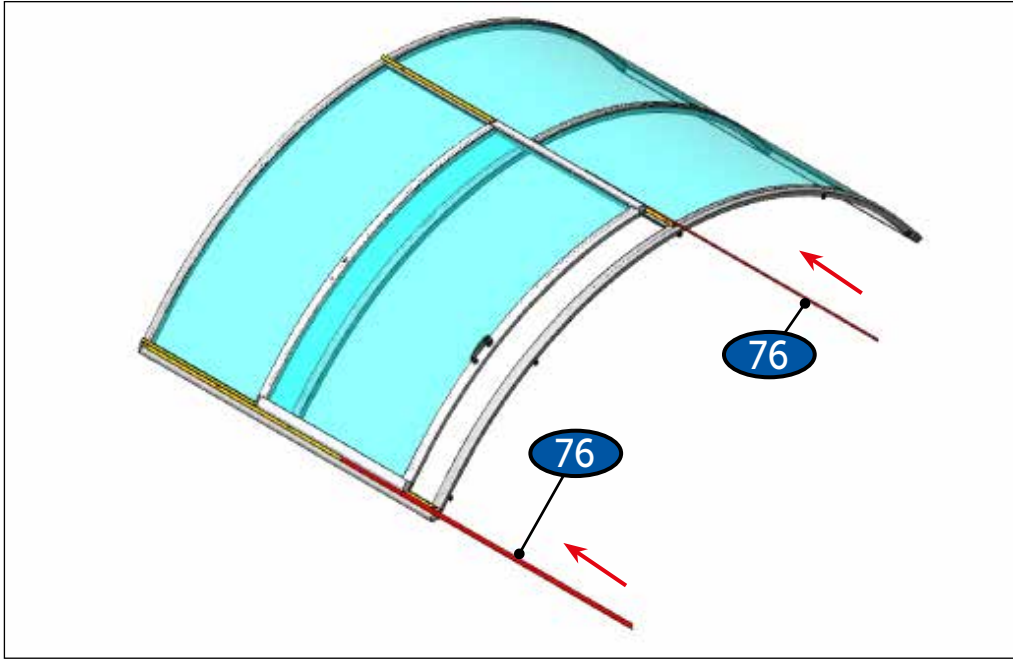


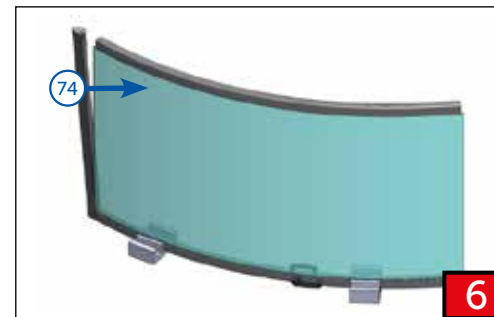
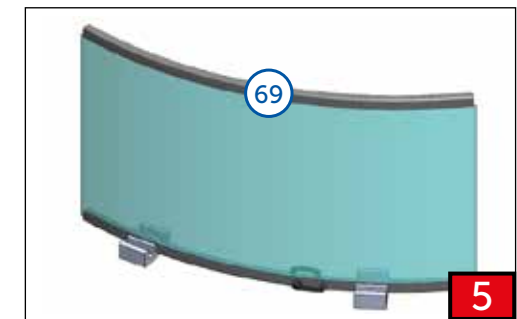
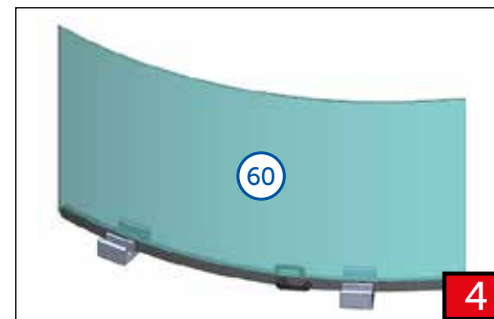
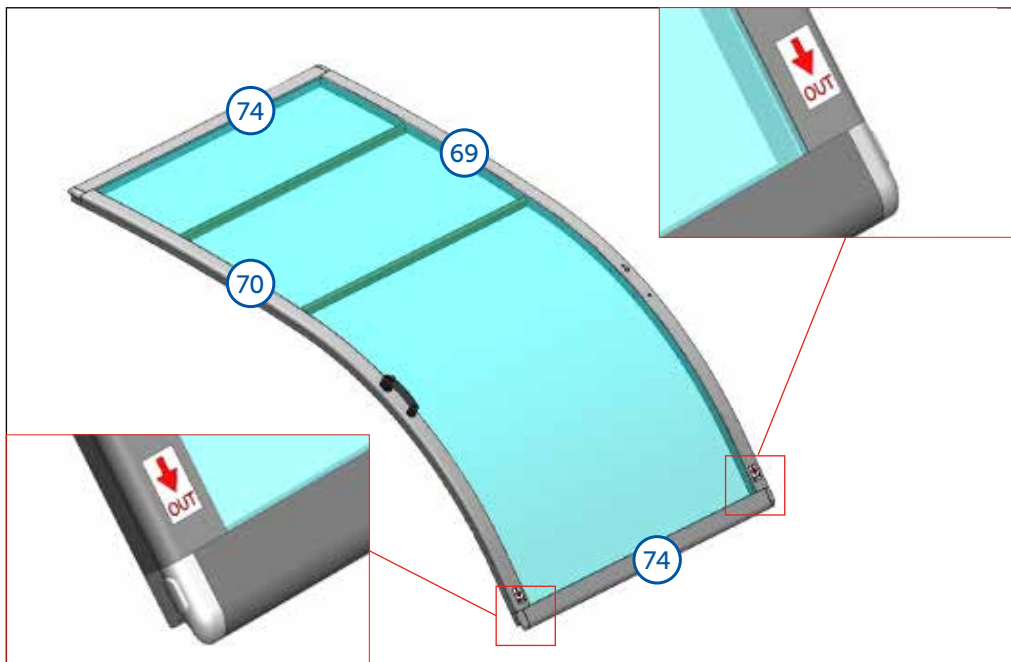
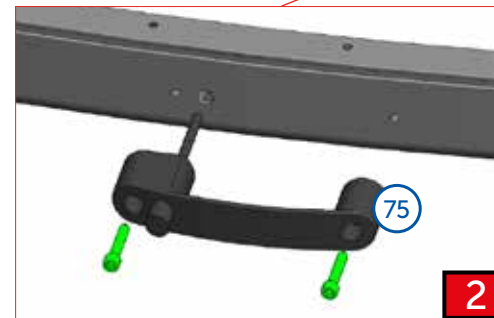
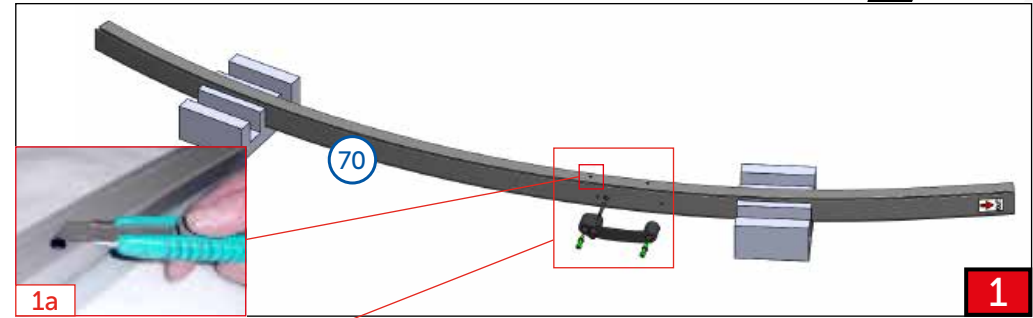
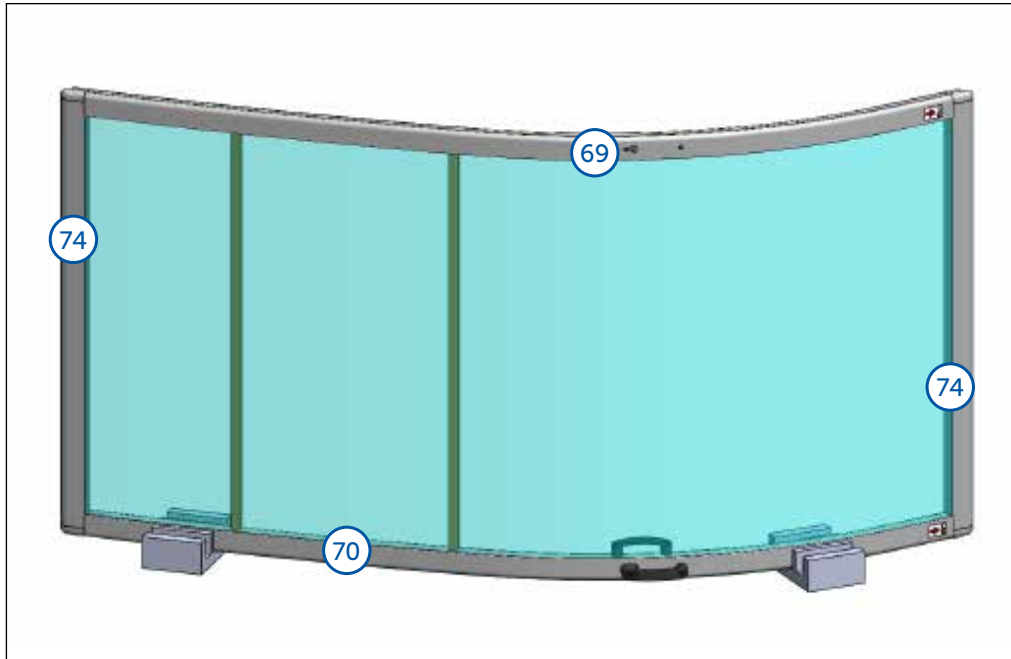


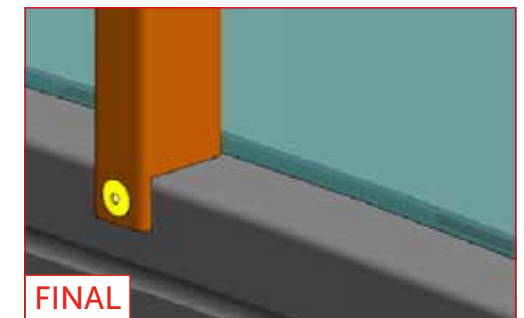
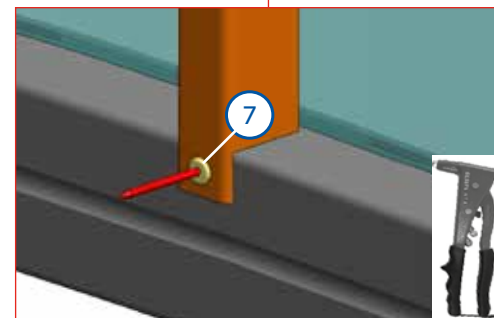
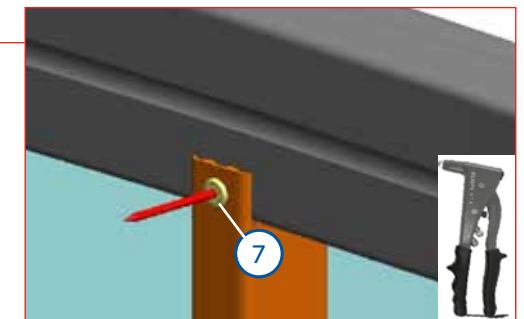
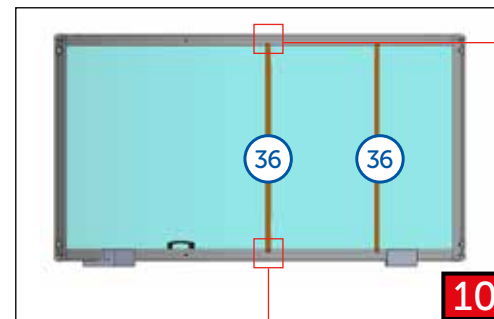
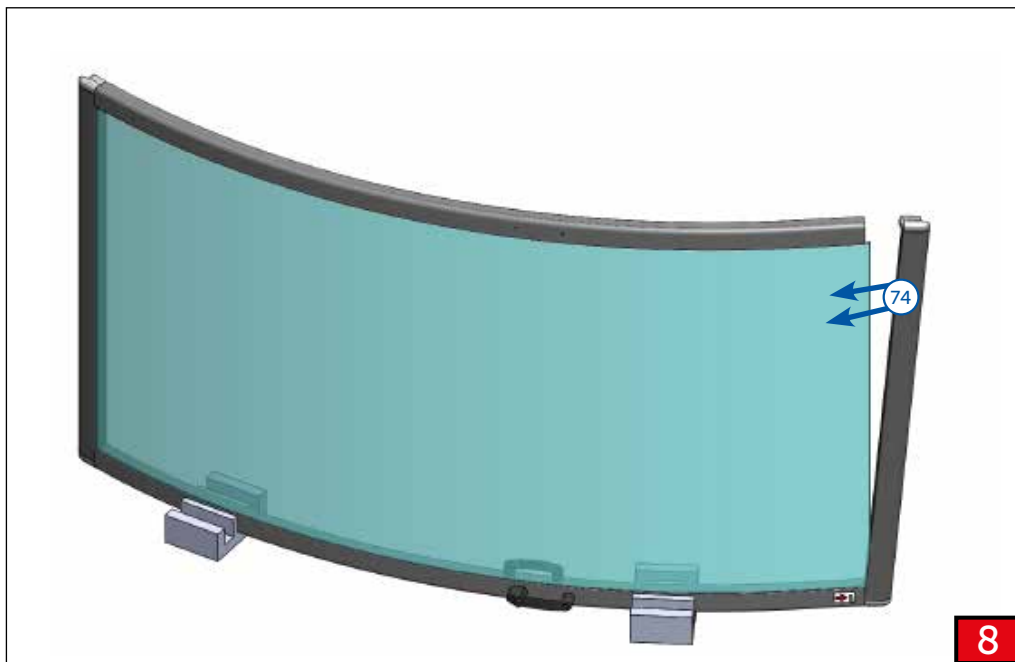
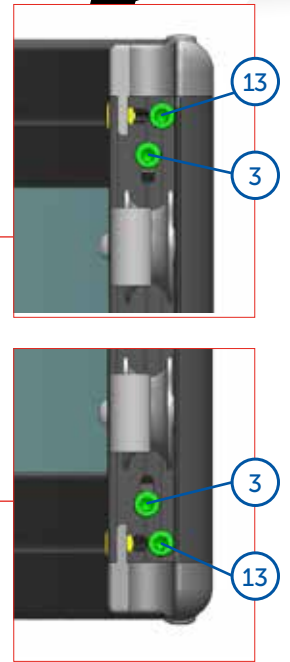
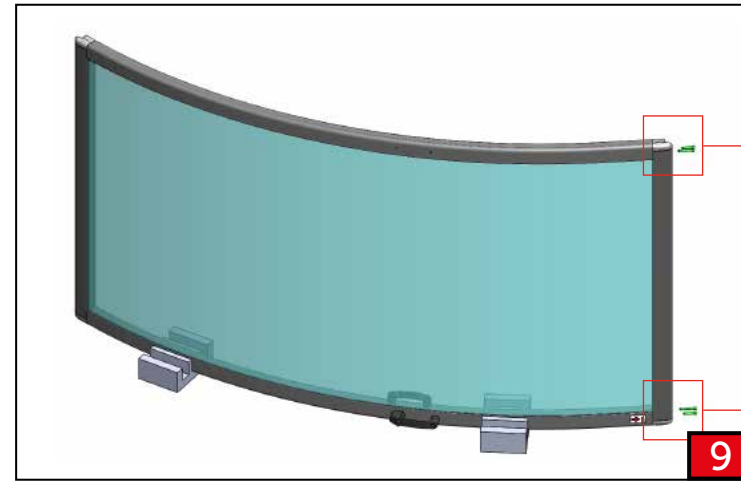
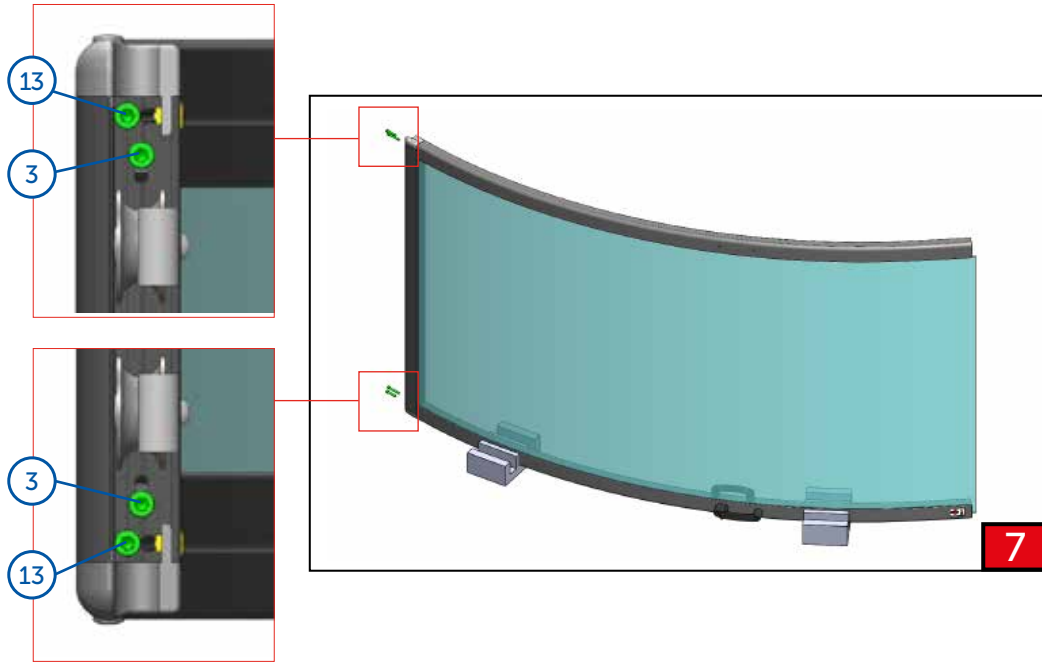


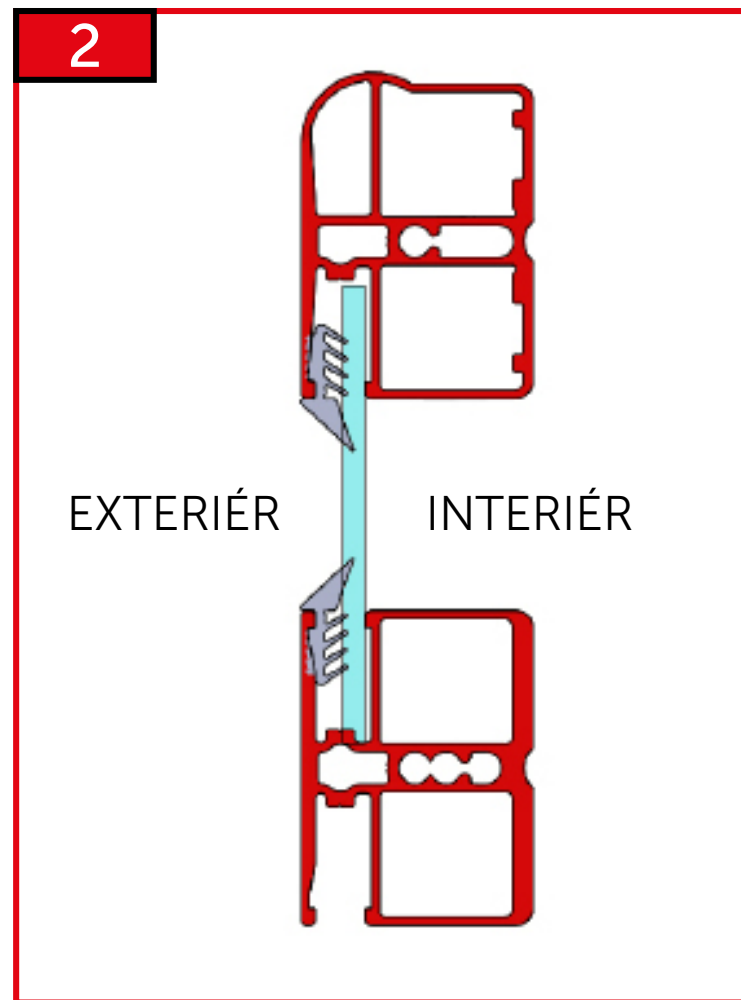
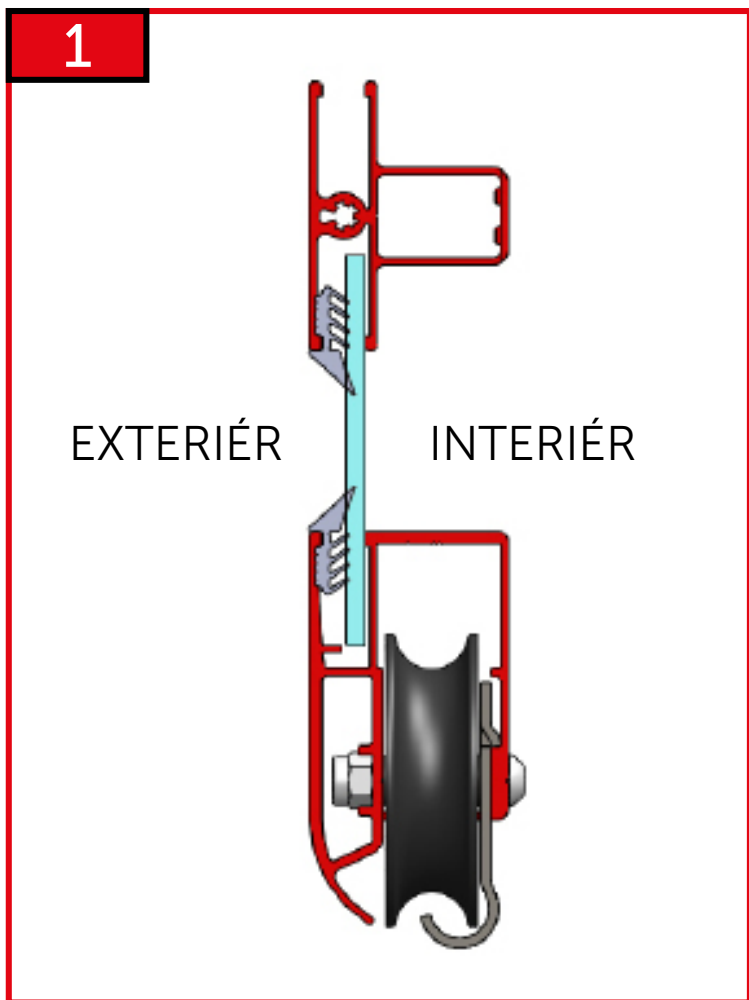


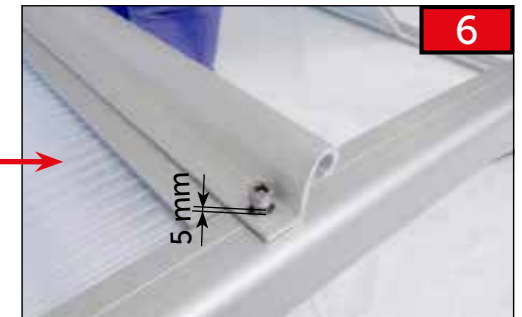
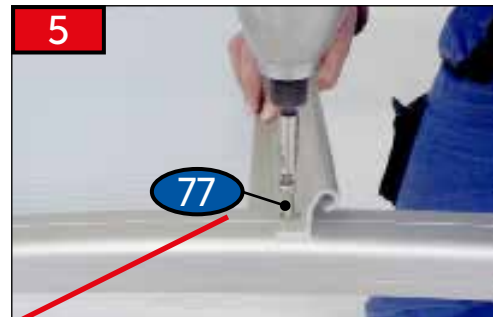
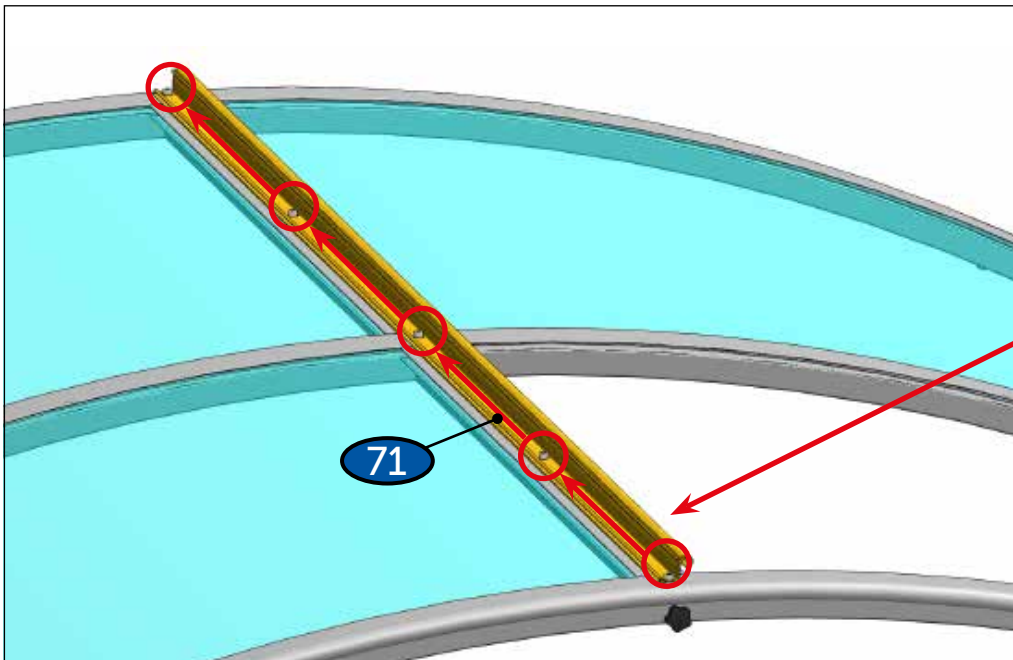
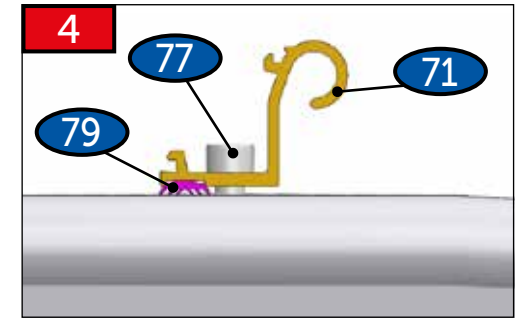
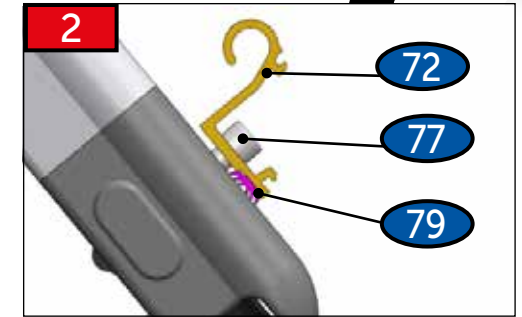
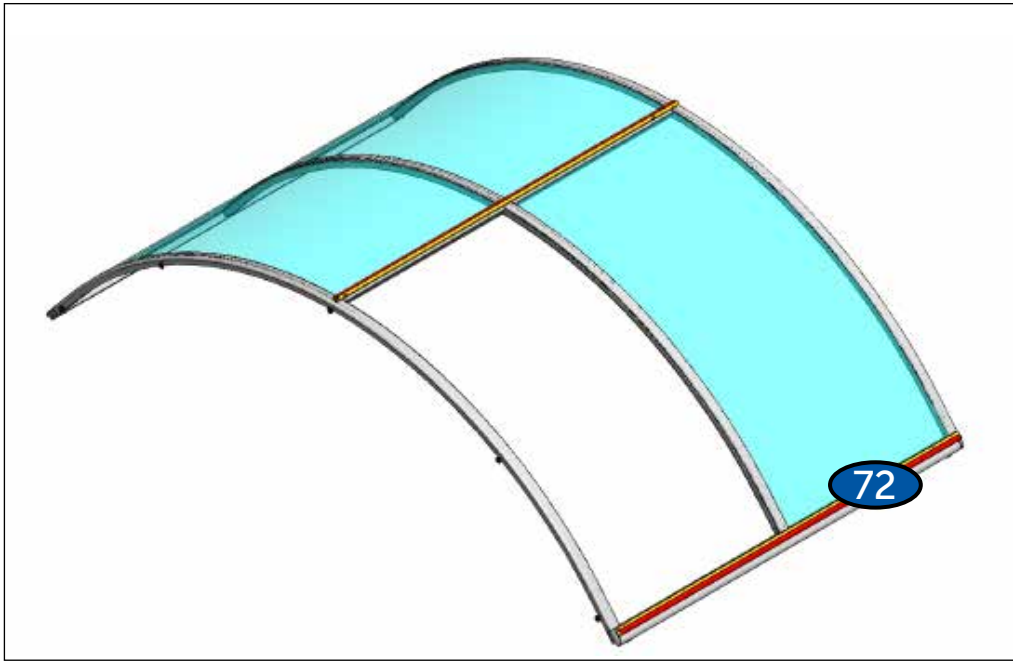




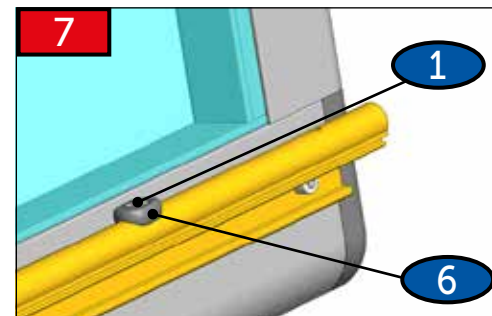
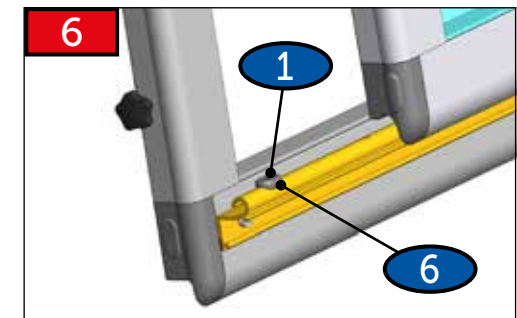
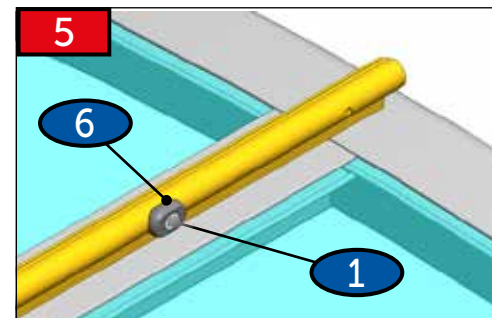
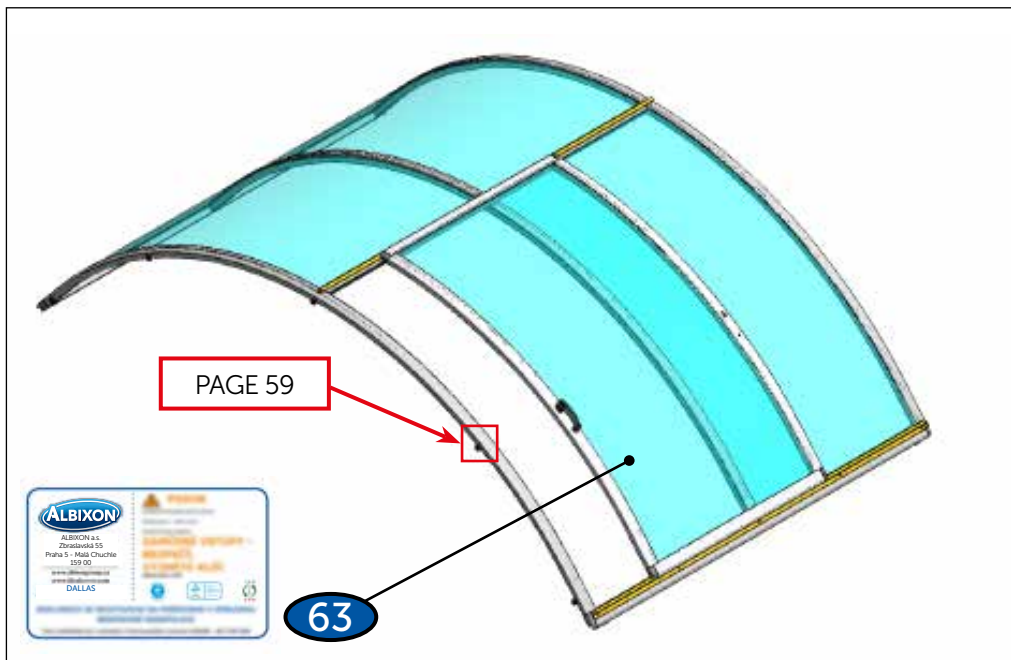
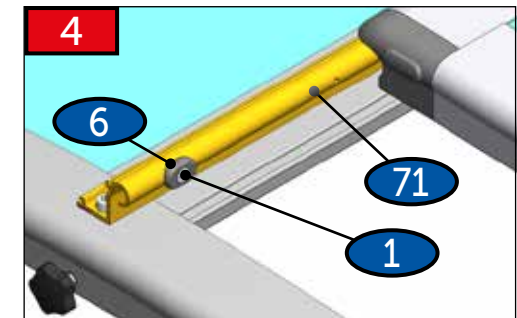
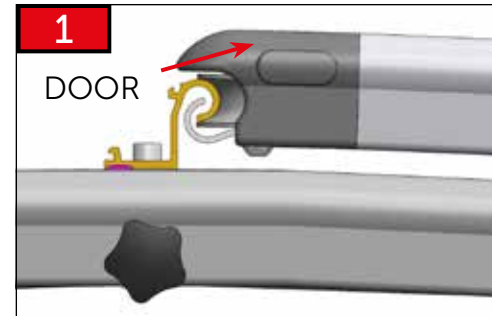
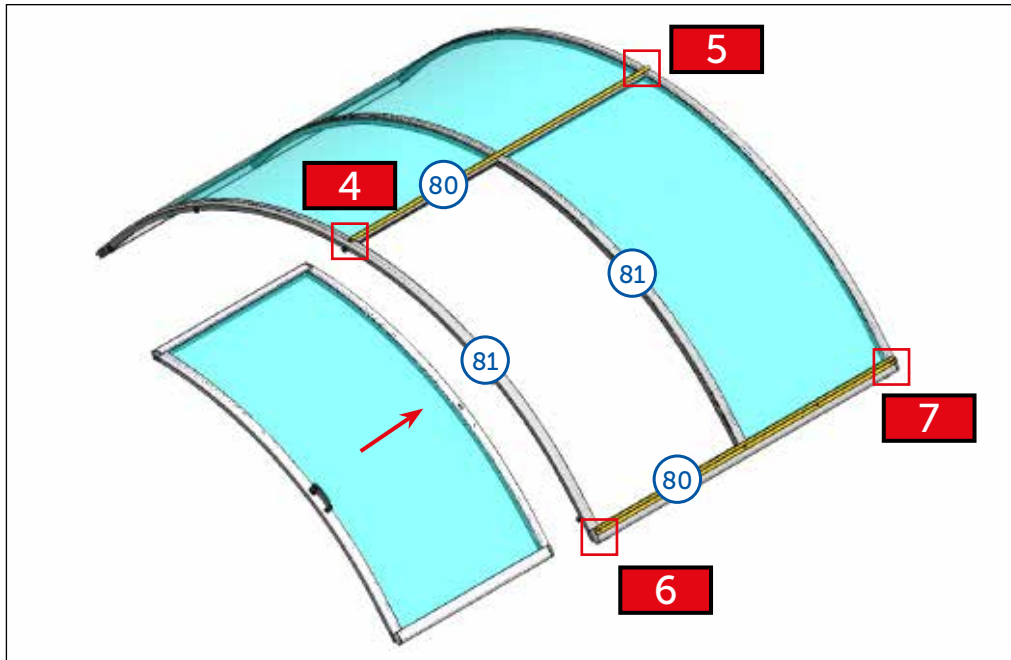


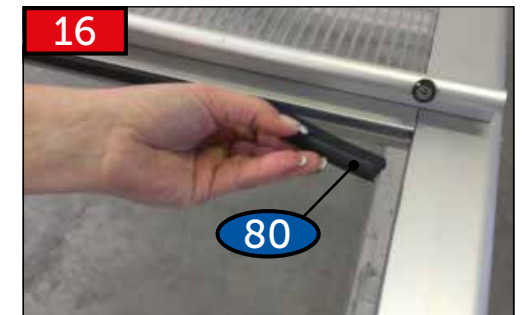
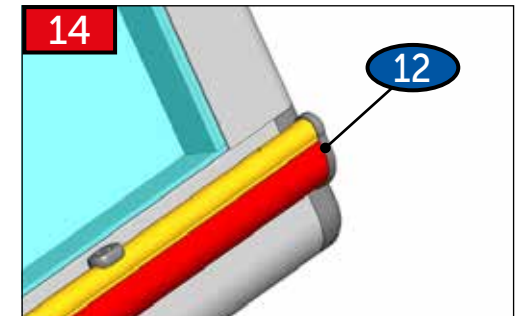
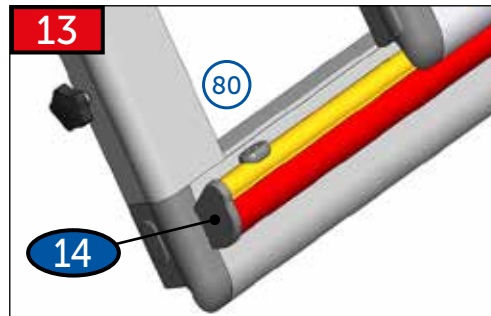
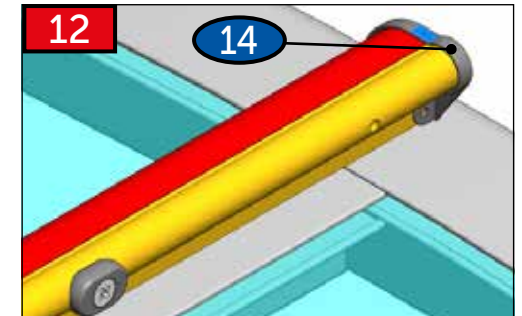
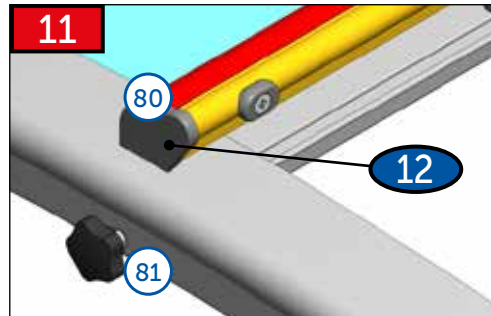
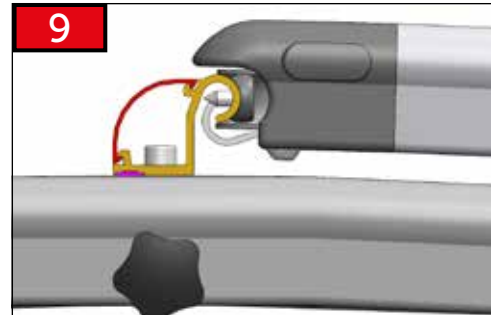
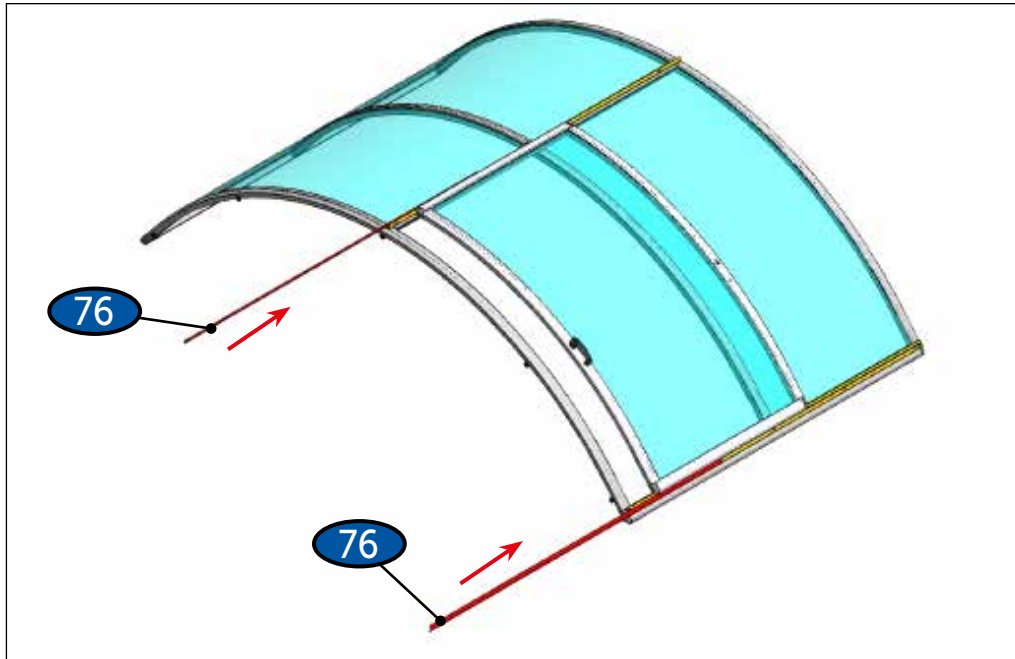


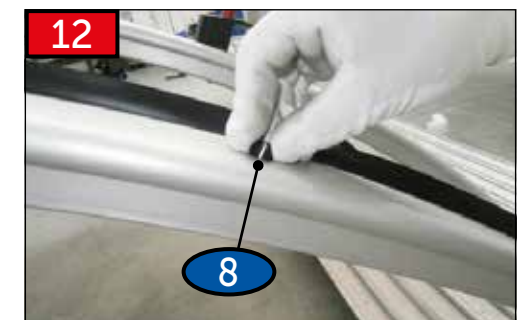
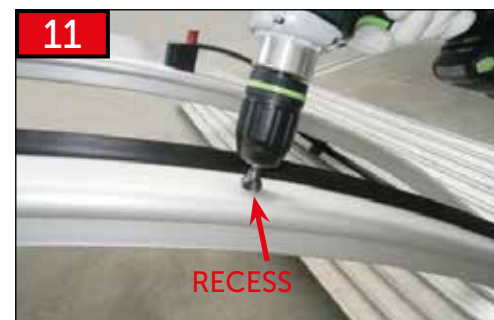
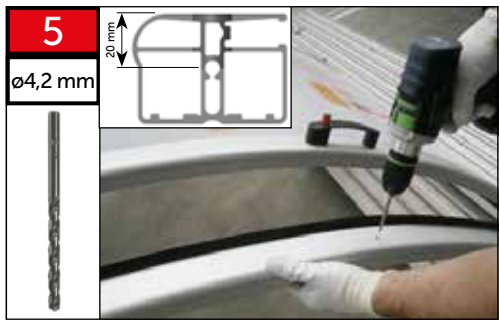


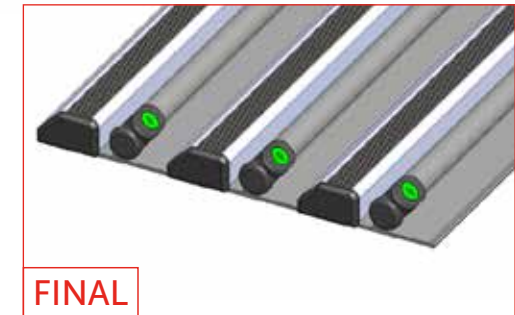
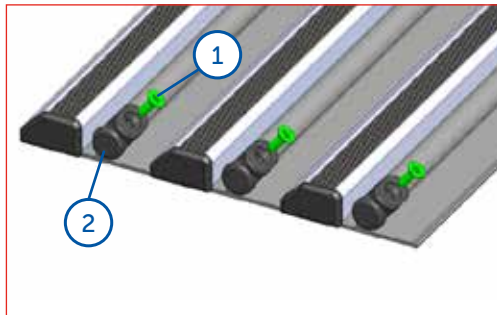
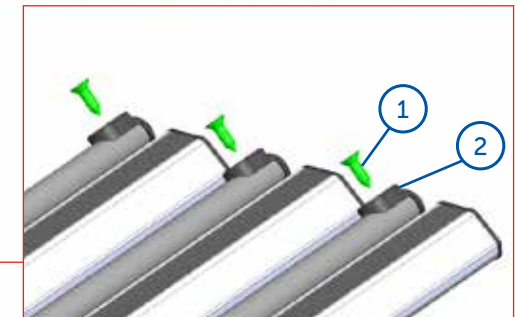
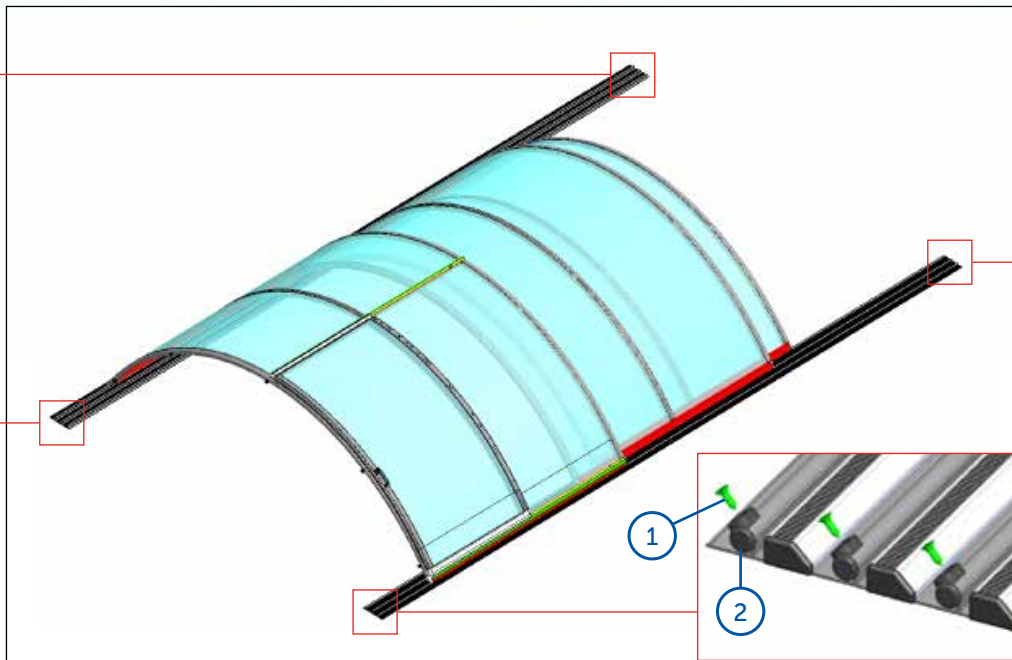
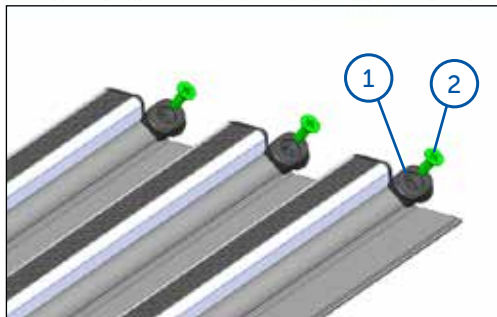
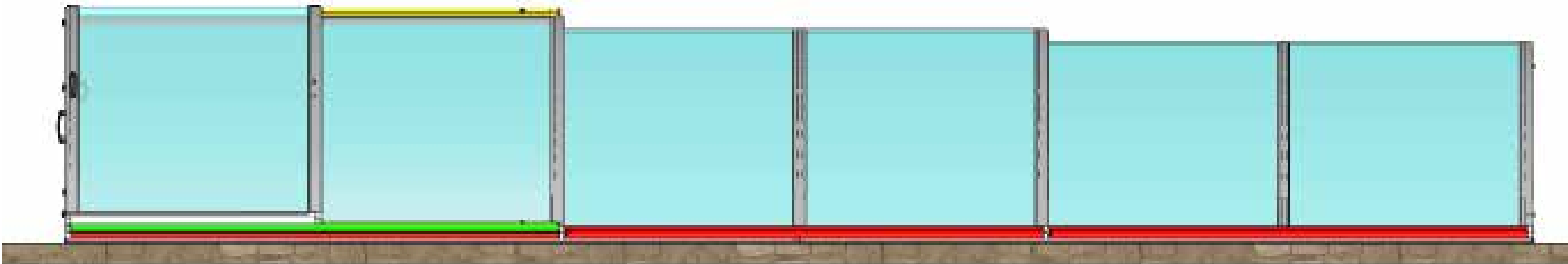
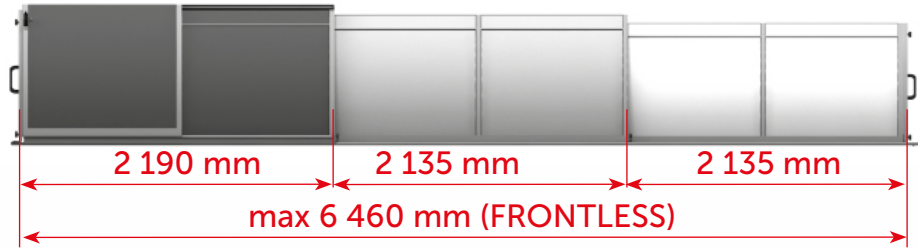


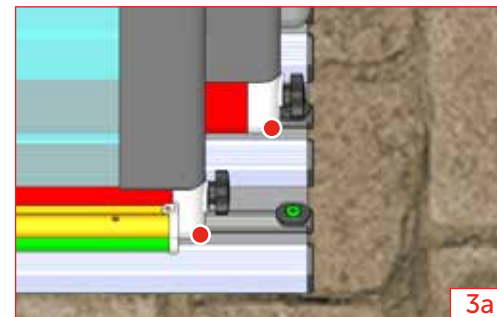
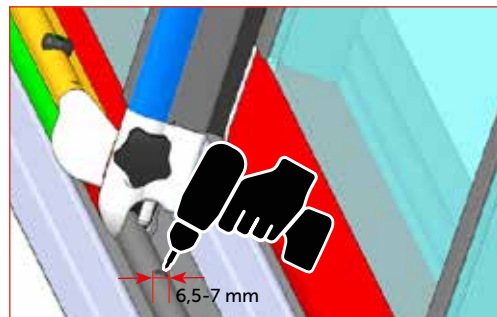
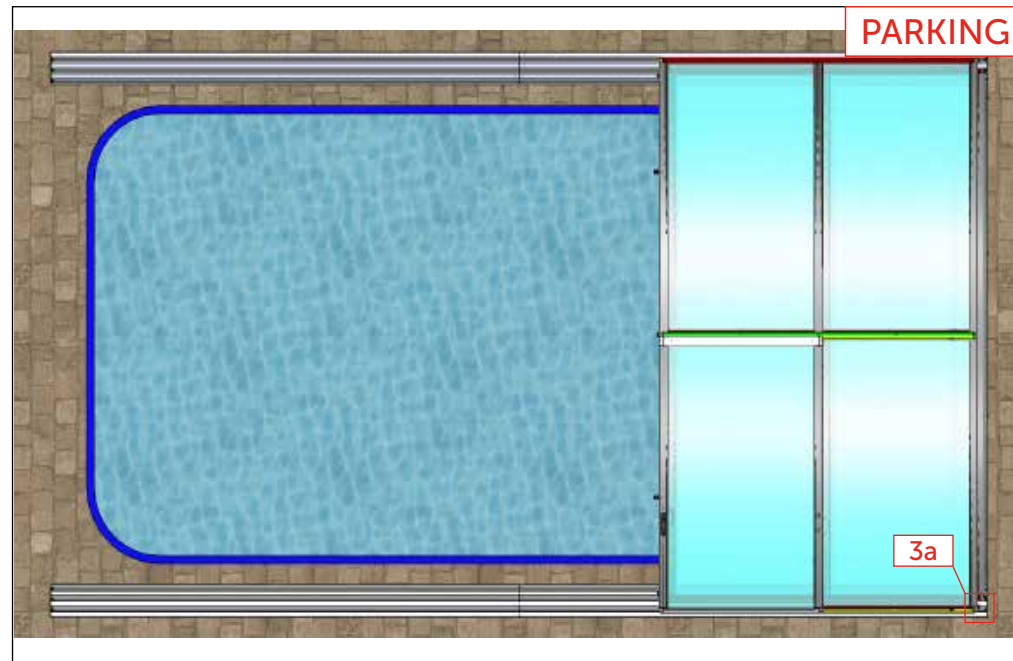
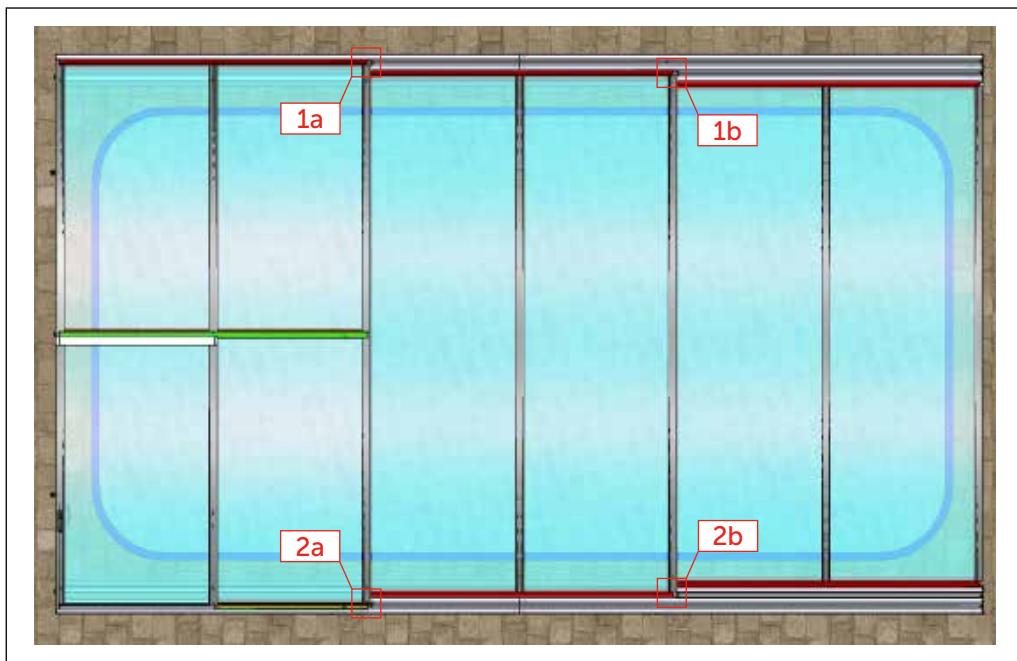
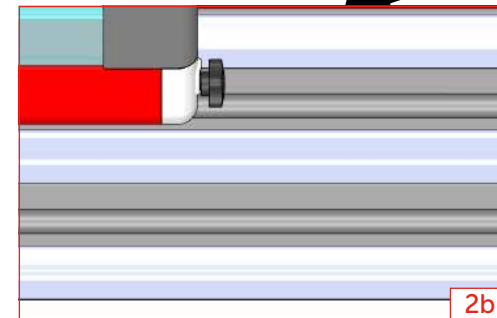
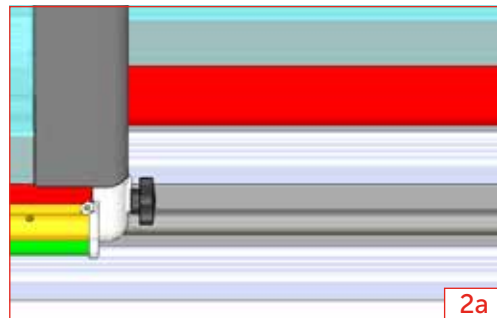
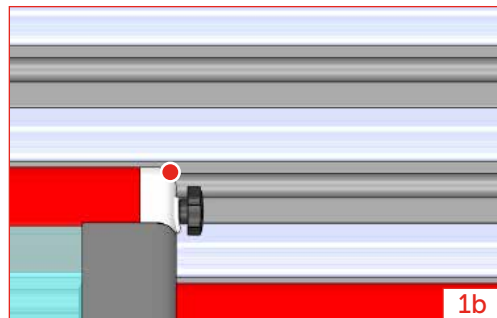
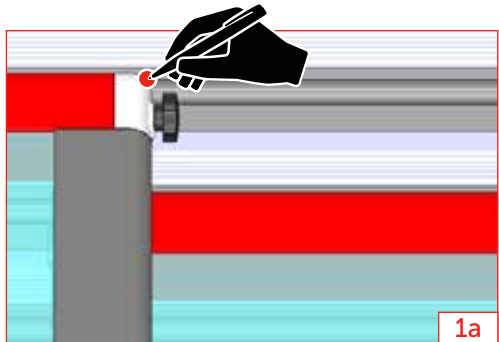


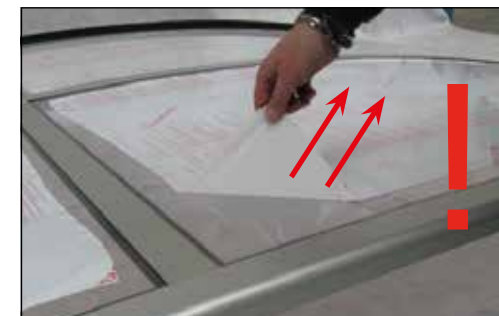
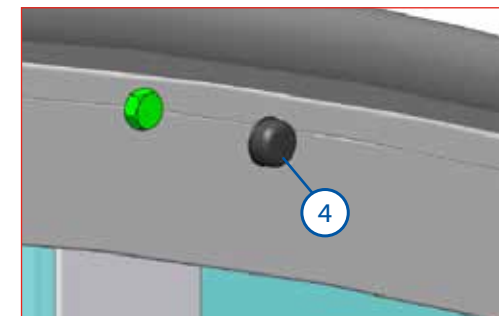
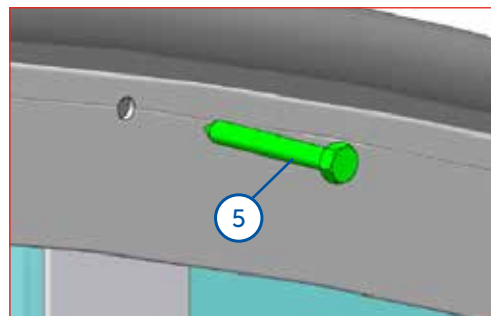
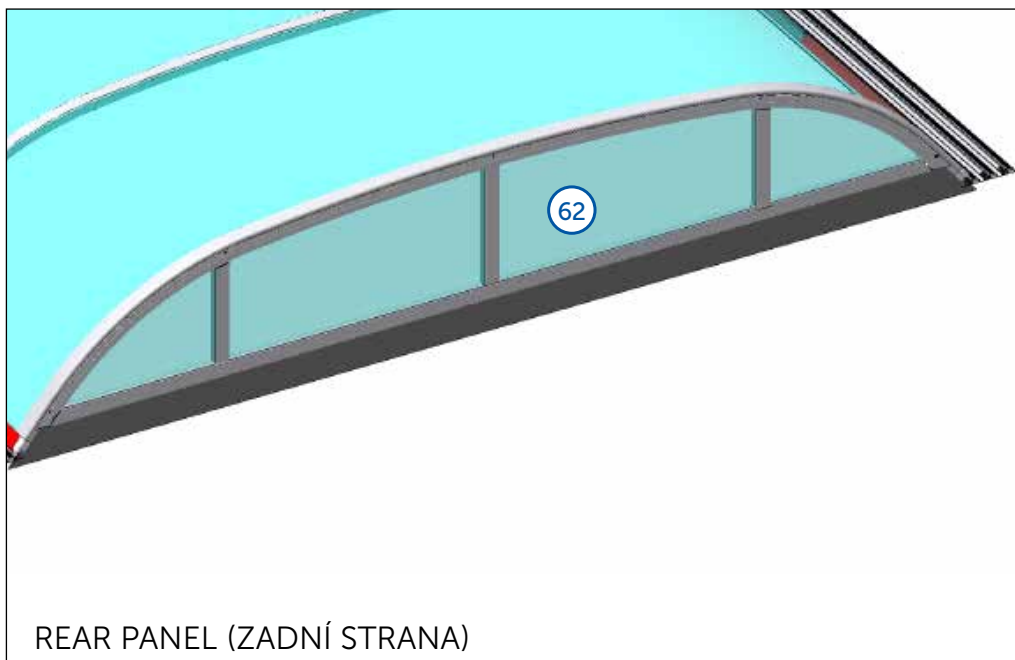
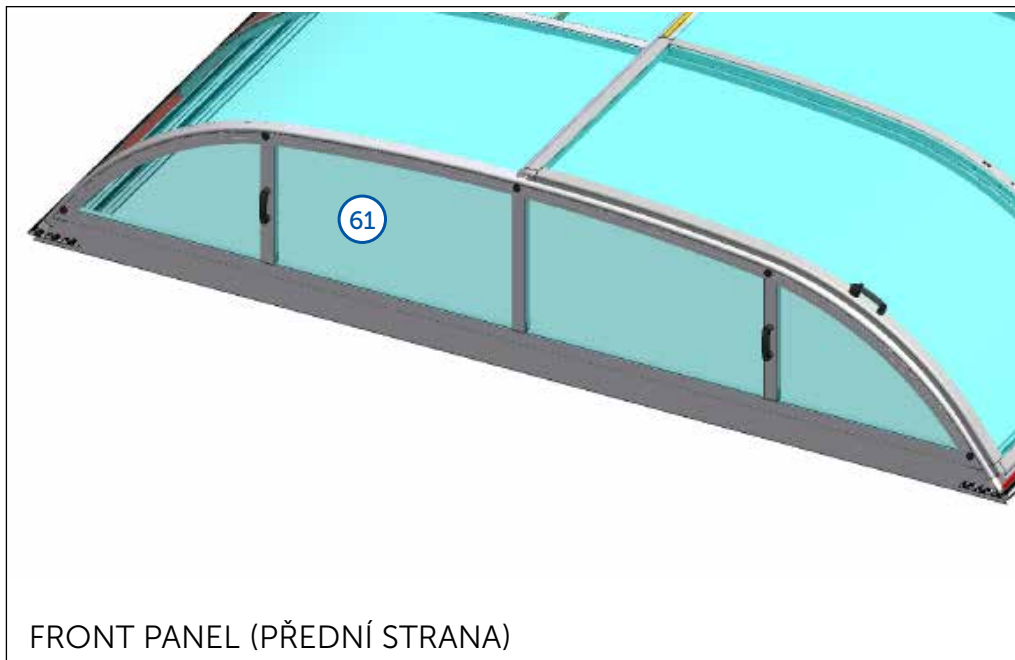












## CZ

Dodavatel si vyhrazuje právo na změny a úpravy technických parametrů uváděných v tomto katalogu s ohledem na technický vývoj a zdokonalení výrobků a balení.  
Dodavatel si vyhrazuje právo na tiskové chyby a chyby v sazbě. Před montáží si pozorně přečtete návod. Návod si uchovejte pro pozdější použití.

## DE

Der Lieferant behält sich das Recht auf Änderungen und Anpassungen der technischen Parameter, die in diesem Katalog aufgeführt sind, mit Rücksicht auf die technische Entwicklung und Verbesserung der Produkte und Verpackung vor. Der Lieferant behält sich das Recht auf Druckfehler und Fehler im Satz vor.  
Vor der Montage lesen Sie bitte die Anleitung sorgfältig durch. Bewahren Sie die Anleitung für spätere Verwendung auf.

## EN

The supplier reserves the right for modifications and adaptations of the technical parameters stated in this catalogue, considering the technical development and upgrade of the products and packaging.  
The supplier reserves the right for print errors and typographical errors. Please read the manual carefully before you will start the installation. Keep the manual for later use.

## ES

El proveedor se reserva el derecho de hacer cambios y modificaciones técnicas de los parámetros que figuran en este catálogo, con respecto al desarrollo técnico mejorando los productos y embalajes.  
El proveedor se reserva también el derecho a errores de impresión y composición. Antes de empezar la instalación, lea atentamente las instrucciones. Guarde las instrucciones para su uso posterior.

## FR

Le fabricant se réserve le droit de modifier les paramètres techniques cités dans ce manuel en considération du développement technique et de l'amélioration des produits et de leur emballage. Le fabricant se réserve le droit des fautes d'impression et de composition. À lire attentivement et à conserver pour une consultation ultérieure.

## HU

Gyártó fenntartja jogát a katalógusban feltüntetett műszaki paraméterek változtatására a termékek és csomagolás technikai fejlesztése és tökéletesítése szerint.  
Szállító: a szállító fenntartja jogát a nyomtatási és szedési hibákra.

## IT

Il fornitore si riserva il diritto di effettuare modifiche e correzioni ai parametri tecnici riportati nel presente catalogo per migliorare e perfezionare dal punto di vista tecnico i prodotti e gli imballaggi.  
Il fornitore non esclude inoltre l'eventuale presenza di errori di stampa e di impaginazione. Prima dell'installazione, leggere attentamente le istruzioni. Tenere l'istruzione per un uso successivo.

## PL

Dostawca zastrzega sobie prawo do zmian oraz dostosowania parametrów technicznych podanych w niniejszym katalogu z uwzględnieniem rozwoju technicznego i udoskonalania produktów oraz opakowań. Dostawca zastrzega sobie prawo do błędów druku oraz typograficznych.

## PT

O provedor reserva-se o direito a efectuar alterações e adaptações de parâmetros técnicos mencionados neste catálogo, tendo em consideração o avanço técnico e melhorias de produtos e embalagens. O provedor reserva-se o direito a cometer erros de impressora e de edição.

## RO

Furnizorul își rezervă dreptul de a modifica și schimba parametrii tehnici menționați în acest catalog cu privire la evoluția tehnică și perfecționarea produselor și a ambalării. Furnizorul își rezervă dreptul la greșelile de tipar și greșelile privind tarifele.

## RU

Поставщик оставляет за собой право на изменение и исправление технических параметров продукции указанной в этом каталоге, с учетом технического развития, а усовершенствования изделий и его упаковки. Поставщик оставляет за собой право на опечатку в тексте и в ценах.  
Перед установкой и эксплуатацией изделия внимательно ознакомьтесь с настоящим руководством. Сохраните данное руководство для дальнейшего использования.