

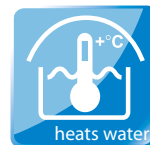
# KLASIK PRO B [PKB 8mm]

# KLASIK PRO B CLEAR [PK 4mm]

## [V-01]



VERZE: 01. 02. 2021 / REVIZE: 26. 10. 2021



**BG**  
 Покривката за басейни е изработена от поликарбонат с дебелина 8 мм. ANCOE - NF P 90-309  
 Застъпване на изработените от поликарбонат елементи е разрешено от производителя на басейна или от компетентен специалист за монтаж и поддръжка.

**DE**  
 Schwimmbeckenabdeckung: keine Konstruktion. Es handelt sich um ANCOE - NF P 90-309.  
 Die Zeit der Garantie für die eingetragene Schwimmbeckenabdeckung muss durch den Eigentümer gesichert werden.

**ES**  
 Cubierta de piscina: construcción ligera. Construcción de ANCOE - NF P 90-309.  
 El tiempo de garantía de la cubierta debe ser asegurado por el propietario.

**FR**  
 Hors de piscine: construction légère. Conforme à norme ANCOE - NF P 90-309.  
 Le temps de garantie de la couverture doit être assuré par le propriétaire.

**HU**  
 Helyreállítások: könnyű szerkezet. ANCOE - NF P 90-309 megfelel.  
 A fedővel kapcsolatban a tulajdonosnak kell biztosítani a szükséges időtartamot.

**CN**  
 游泳池盖: 轻便型。符合 ANCOE - NF P 90-309 标准。  
 关于覆盖物的保修时间，业主应予以保证。

**LT**  
 Dirgiamas vandens uždariklis: lengva konstrukcija. Tinka ANCOE - NF P 90-309.  
 Laikotarpis šios dangtelio garantuoti turi būti užtikrinamas savininko.

**PL**  
 Zadaszkiwnie basenu: lekka konstrukcja. Zgodnie z normą ANCOE - NF P 90-309.  
 Czas gwarancji na pokrywo musi być zabezpieczony przez właściciela.

**RU**  
 Тканевый для бассейнов: легкая конструкция. Соответствует нормам ANCOE - NF P 90-309.  
 Гарантийный срок на покрытие должен быть обеспечен владельцем.

**SK**  
 Bazénové zastrešenie: ľahká konštrukcia. V súlade s ANCOE - NF P 90-309.  
 Príslušný čas záruky musí byť zabezpečený majiteľom.

**DK**  
 Bæskovinddækning: let konstruktion. I overensstemmelse med ANCOE - NF P 90-309.  
 Garantitiden for dækkningen skal sikres af ejeren.

**EE**  
 Basseinikatted: lihtsustruktuur. Vastab normalele ANCOE - NF P 90-309.  
 Katteaja garantiid tuleb kindlustada omaniku poolt.

**GB**  
 The swimming pool enclosure: light weight construction. In compliance with ANCOE - NF P 90-309.  
 The enclosure must comply building regulations and adjacent enclosure has to be secured by owner.

**HR**  
 Nadstrešnica bazena: laka konstrukcija. U skladu sa ANCOE - NF P 90-309.  
 Pribor odgovara normi, a vrijeme garancije je potpunoj garanciji mora biti osigurao od strane vlasnika.

**IT**  
 Copertura per piscine: costruzione leggera. In conformità ANCOE - NF P 90-309.  
 Il tempo della garanzia deve essere assicurato dal proprietario.

**LV**  
 Bāzēnu jumts: viegla konstrukcija. Atbilst ANCOE - NF P 90-309.  
 Pārdevēja garantijas laiks jānodrošina īpašniekam.


**RO**  
 Acoperire pentru piscină: construcție ușoară. În conformitate cu ANCOE - NF P 90-309.  
 Durata de garanție trebuie să fie asigurată de posesorul bazinei.

**SE**  
 Pooltak: let konstruktion. I överensstämmelse med ANCOE - NF P 90-309.  
 Tillrägglig garanti måste försäkras av ägaren.

**SL**  
 Nadstrešnica za bazen: laka konstrukcija. V skladu s ANCOE - NF P 90-309.  
 Lastni čas garancije mora biti osigurano od strane vlasnika.




1SP11-01-032



|          |
|----------|
| DIN 7982 |
| 4,8 x 13 |
| 20x      |

1


1SZ12-03-021



|     |
|-----|
| 16x |
|-----|

2


1SP11-01-029



|          |
|----------|
| AN 9051  |
| 6,3 x 50 |
| 36x      |

3


1SZ12-01-015



|    |
|----|
| 5x |
|----|

4


1SP11-01-019



|          |
|----------|
| DIN 7976 |
| 6,3 x 38 |
| 5x       |

5


1SZ12-03-020



|    |
|----|
| 4x |
|----|

6


1SP07-01-001



|         |
|---------|
| Ø4 x 10 |
| 80x     |

7


1SZ12-04-003



|    |
|----|
| 1x |
|----|

8

1SP01-01-016



|         |
|---------|
| Ø8 x 80 |
| 88x     |

9


1SZ12-03-008



|    |
|----|
| 3x |
|----|

10

1SP07-01-006



|         |
|---------|
| Ø4 x 14 |
| 6x      |

11


1SZ08-01-102



|    |
|----|
| 2x |
|----|

12


1SP11-01-027



|          |
|----------|
| AN 9051  |
| 6,3 x 38 |
| 20x      |

13


1SZ08-01-103



|    |
|----|
| 2x |
|----|

14

1NA03-01-050



|    |
|----|
| 1x |
|----|

17


1CH02-01-011  
1SZ28-01-001



|    |
|----|
| 1x |
|----|

18

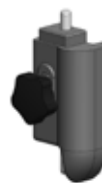
1SZ02-02-005



|    |
|----|
| 3x |
|----|

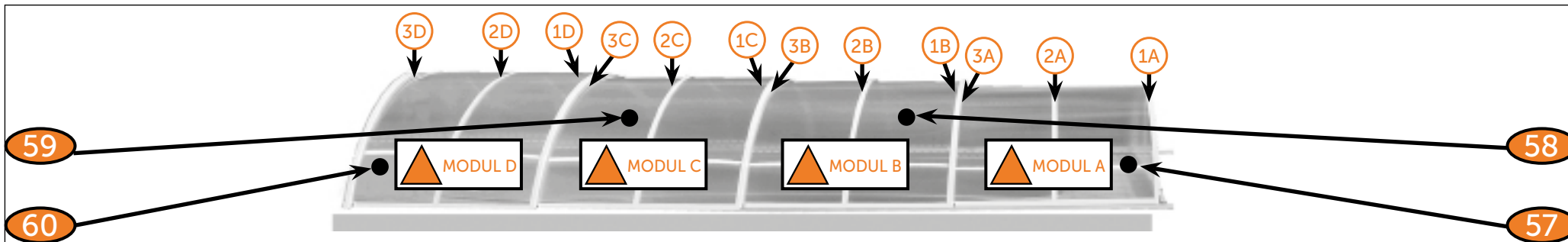
19

1SZ02-02-003



|    |
|----|
| 3x |
|----|

20



MODUL A

- 21 2Z01-15-SM005D
- 22 2Z01-15-SM006D
- 23 2Z01-15-SM007D

|    |    |    |
|----|----|----|
| 1A | 1x | 21 |
| 2A | 1x | 22 |
| 3A | 1x | 23 |

MODUL B

- 24 2Z01-15-SM008D
- 25 2Z01-15-SM009D
- 26 2Z01-15-SM010D

|    |    |    |
|----|----|----|
| 1B | 1x | 24 |
| 2B | 1x | 25 |
| 3B | 1x | 26 |

MODUL C

- 27 2Z01-15-SM011D
- 28 2Z01-15-SM012D
- 29 2Z01-15-SM013D

|    |    |    |
|----|----|----|
| 1C | 1x | 27 |
| 2C | 1x | 28 |
| 3C | 1x | 29 |



30 2Z01-15-SM014D

31 2Z01-15-SM015D

32 2Z01-15-SM016D

|    |    |           |
|----|----|-----------|
| 1D | 1x | <b>30</b> |
| 2D | 1x | <b>31</b> |
| 3D | 1x | <b>32</b> |

2Z04-01-SD001D

|           |
|-----------|
| 1041 mm   |
| 38x       |
| <b>36</b> |

2Z01-01-SD007

|           |
|-----------|
| A         |
| 3230 mm   |
| 4x        |
| <b>41</b> |

2Z01-01-SD011

|           |
|-----------|
| B         |
| 2140 mm   |
| 4x        |
| <b>43</b> |



2Z01-01-SD009

|           |
|-----------|
|           |
| 3230 mm   |
| 4x        |
| <b>47</b> |

2Z01-01-SD002

|           |
|-----------|
|           |
| 3230 mm   |
| 16x       |
| <b>48</b> |

2Z01-01-SD013

|           |
|-----------|
|           |
| 2140 mm   |
| 8x        |
| <b>49</b> |



|  |  |  |  |                |         |
|--|--|--|--|----------------|---------|
|  |  |  |  | 2202-01-SR046D | MODUL D |
|  |  |  |  | 1x             | 50      |

|  |  |  |  |                |         |
|--|--|--|--|----------------|---------|
|  |  |  |  | 2202-01-SR045D | MODUL D |
|  |  |  |  | 1x             | 51      |

|  |  |  |  |                |                    |
|--|--|--|--|----------------|--------------------|
|  |  |  |  | 2202-01-SR044D | MODUL C<br>MODUL B |
|  |  |  |  | 2x             | 52                 |



2Z02-01-SR043D

MODUL C  
MODUL B

2x  
53

Detailed description: This diagram illustrates the assembly of component 2Z02-01-SR043D. It features four inset images in red boxes: a hook-shaped component, a rectangular housing, a cable with a connector, and a small hook. A central cable is shown with red arrows pointing to the housing and connector insets. To the right, the part number '2Z02-01-SR043D' is listed. Further right, a box contains 'MODUL C' and 'MODUL B'. Below that, a box shows '2x' and a circled '53'.

2Z02-01-SR041D

MODUL A

1x  
54

Detailed description: This diagram illustrates the assembly of component 2Z02-01-SR041D. It features four inset images in red boxes: a hook-shaped component, a rectangular housing, a cable with a connector, and a small hook. A central cable is shown with red arrows pointing to the housing and connector insets. To the right, the part number '2Z02-01-SR041D' is listed. Further right, a box contains 'MODUL A'. Below that, a box shows '1x' and a circled '54'.

2Z02-01-SR042D

MODUL A

1x  
55

Detailed description: This diagram illustrates the assembly of component 2Z02-01-SR042D. It features four inset images in red boxes: a hook-shaped component, a rectangular housing, a cable with a connector, and a small hook. A central cable is shown with red arrows pointing to the housing and connector insets. To the right, the part number '2Z02-01-SR042D' is listed. Further right, a box contains 'MODUL A'. Below that, a box shows '1x' and a circled '55'.



2Z01-15-DK010-PKB8  
2Z01-24-DK010-CLEAR

OUT

MODUL A

MODUL A

2x

4643 x 1050 mm

57

2Z01-15-DK011-PKB8  
2Z01-24-DK011-CLEAR

OUT

MODUL B

MODUL B

2x

4840 x 1050 mm

58

2Z01-15-DK012-PKB8  
2Z01-24-DK012-CLEAR

OUT

MODUL C

MODUL C

2x

5040 x 1050 mm

59

2Z01-15-DK013-PKB8  
2Z01-24-DK013-CLEAR

OUT

MODUL D

MODUL D

MODUL D

3x

2613 x 1050 mm

60

2Z01-15-DK014-PKB8  
2Z01-24-DK014-CLEAR

OUT

MODUL

1x

2570 x 1050 mm

61

ALBIXON a.s.  
Zbraslavská 55  
Praha 5 - Malá Chuchle  
159 00  
www.albixon.cz  
www.albixon.com

KLASIK

1x

62

2Z01-15-SC001D-PKB8  
2Z01-24-SC001D-CLEAR

1x

63

2Z01-15-SC002D-PKB8  
2Z01-24-SC002D-CLEAR

1x

64





2Z01-15-SB003D

1x

69

2Z01-15-SB002D

1x

70

2Z03-01-SD014D

1x

2150 mm

71

2Z03-01-SD013D

1x

2150 mm

72



2Z05-01-SD002D

|    |
|----|
| 2x |
| 73 |

2Z02-02-SR009D

|    |
|----|
| 2x |
| 74 |

1SZ12-02-006

KEY

|          |
|----------|
| 2x       |
| 6,3 x 38 |
| 1x       |
| 75       |

2Z03-01-SD005D

|        |
|--------|
| 2150mm |
| 2x     |
| 76     |

1SP11-01-024

|          |
|----------|
| AN 9051  |
| 6,3 x 19 |
| 10x      |
| 77       |

1SZ12-02-001

|          |
|----------|
| 2x       |
| 6,3 x 25 |
| 1x       |
| 78       |

1TS04-01-001

|        |
|--------|
| 2150mm |
| 2x     |
| 79     |

1TS06-01-008

|         |
|---------|
| 1012 mm |
| 2x      |
| 80      |

1TS03-01-007

|        |
|--------|
| 2762mm |
| 2x     |
| 81     |

1SZ18-01-097

|    |
|----|
| 8x |
| 82 |

1SP07-01-014

|      |
|------|
| ø4x8 |
| 16x  |
| 83   |



2Z01-24-DO001

|          |    |
|----------|----|
| 4 643 mm | 4x |
| 1 030 mm | 4x |

MODUL A

92

2Z01-24-DO002

|          |    |
|----------|----|
| 4 840 mm | 4x |
| 1 030 mm | 4x |

MODUL B

93

2Z01-24-DO003

|          |    |
|----------|----|
| 5 040 mm | 4x |
| 1 030 mm | 4x |

MODUL C

94

2Z01-24-DO005

|          |    |
|----------|----|
| 2 570 mm | 2x |
| 1 030 mm | 2x |

MODUL

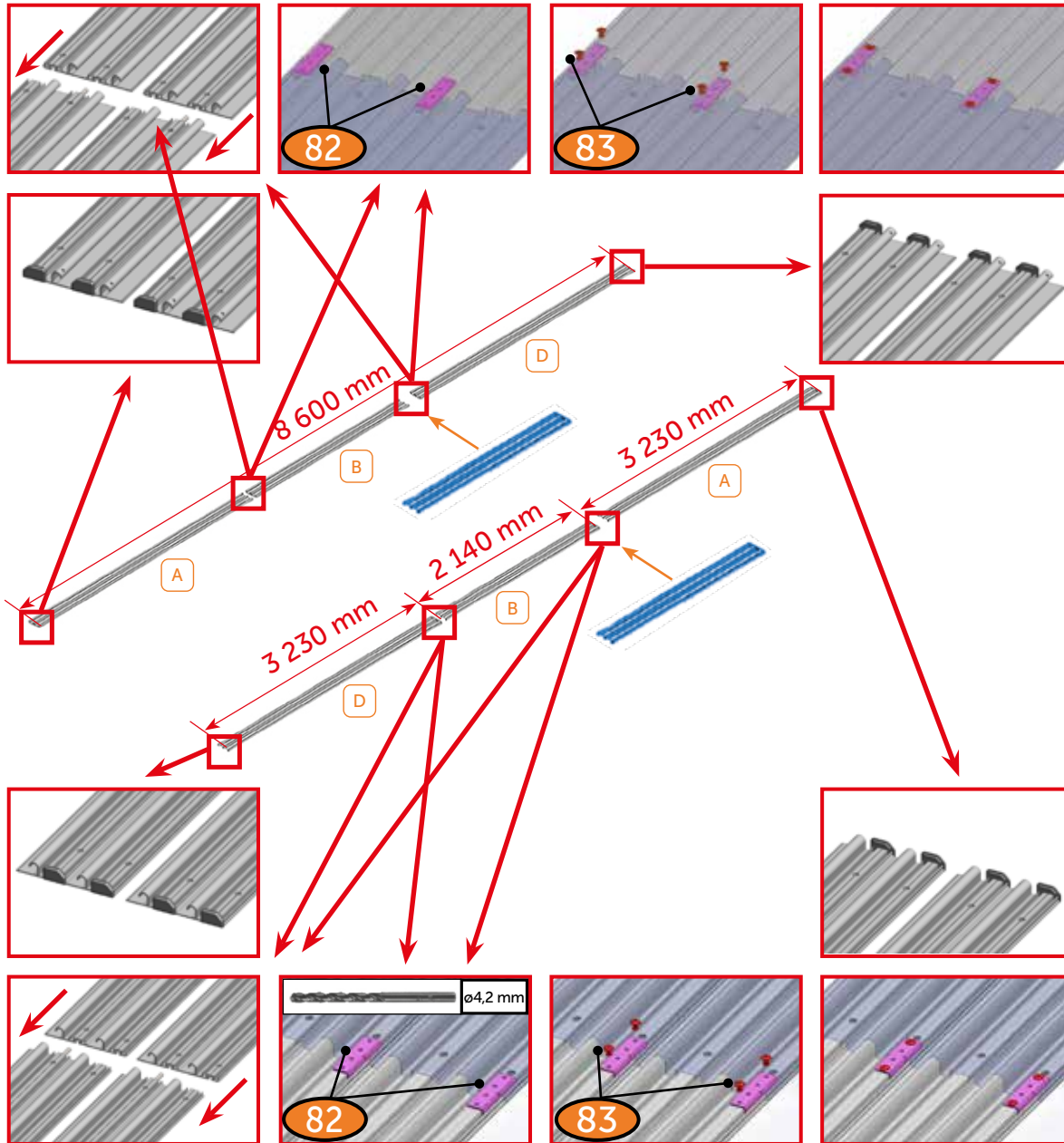
96

2Z01-24-DO004

|          |    |
|----------|----|
| 2 613 mm | 6x |
| 1 030 mm | 6x |

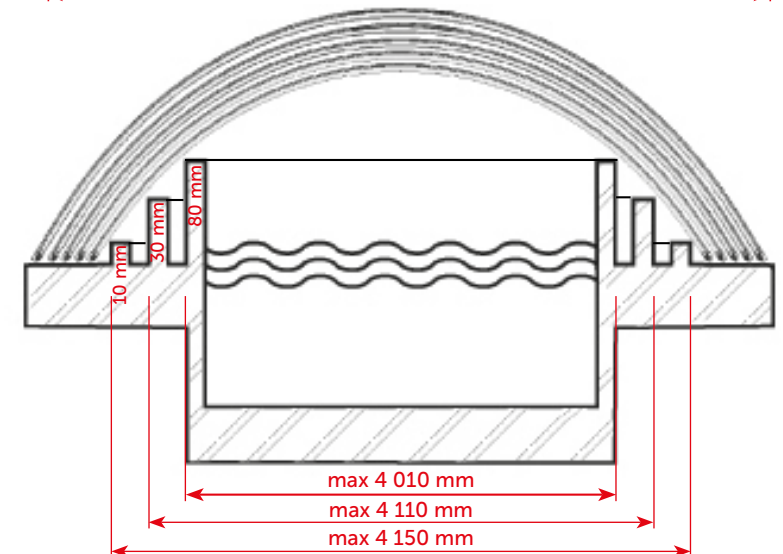
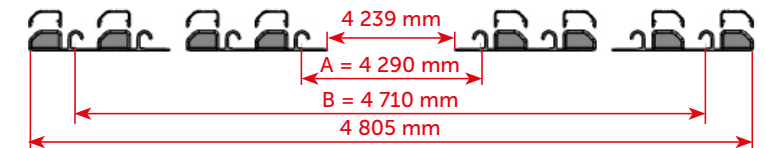
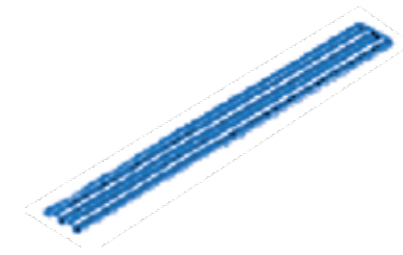
MODUL D

95

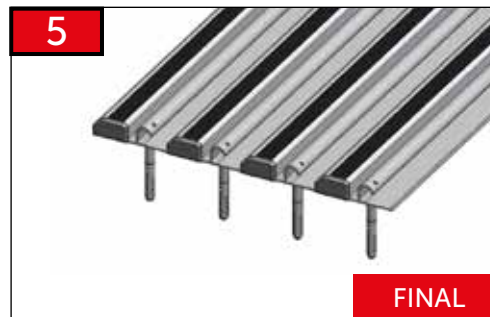
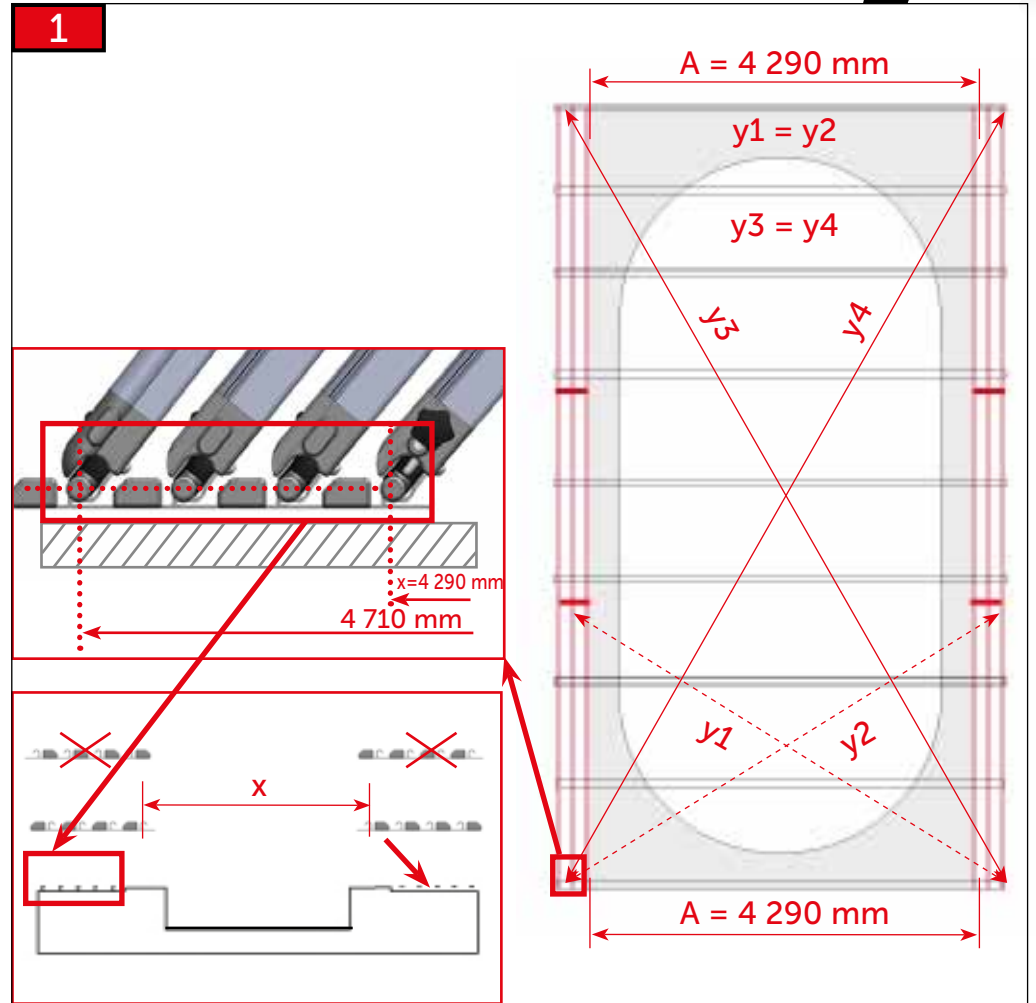
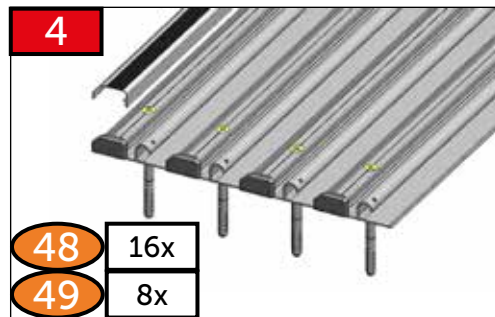
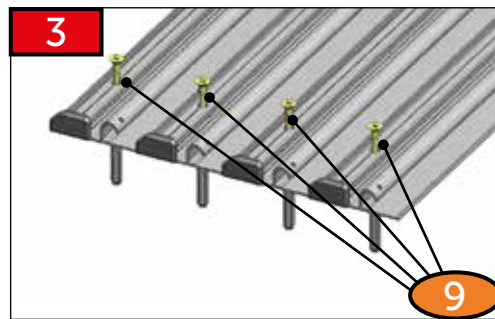
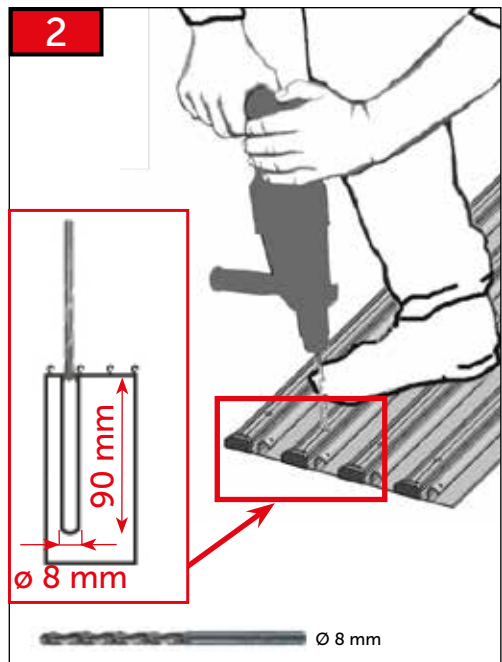
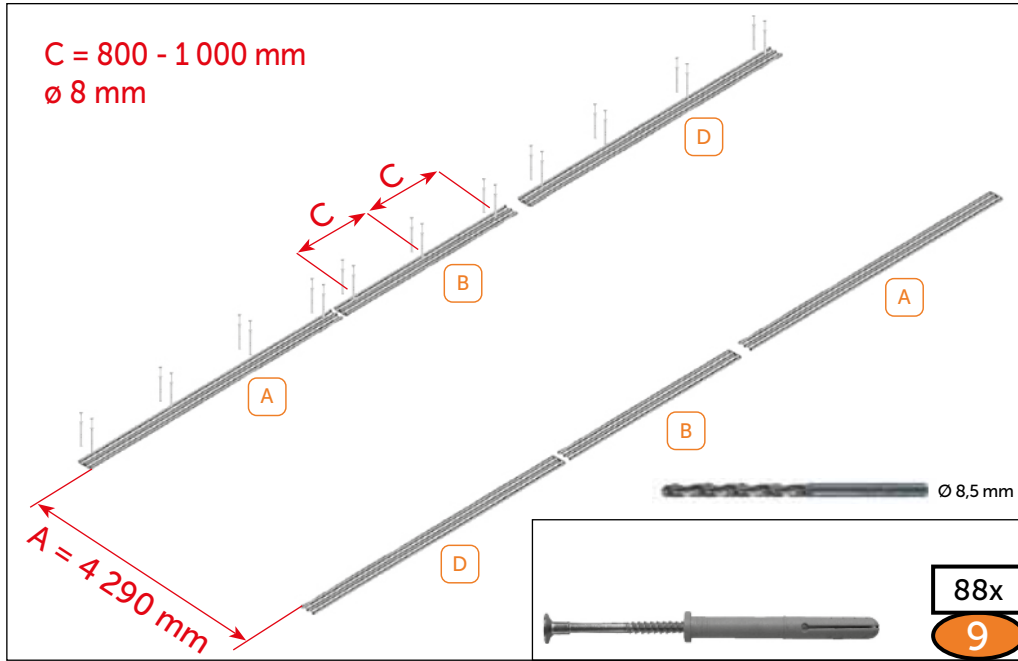


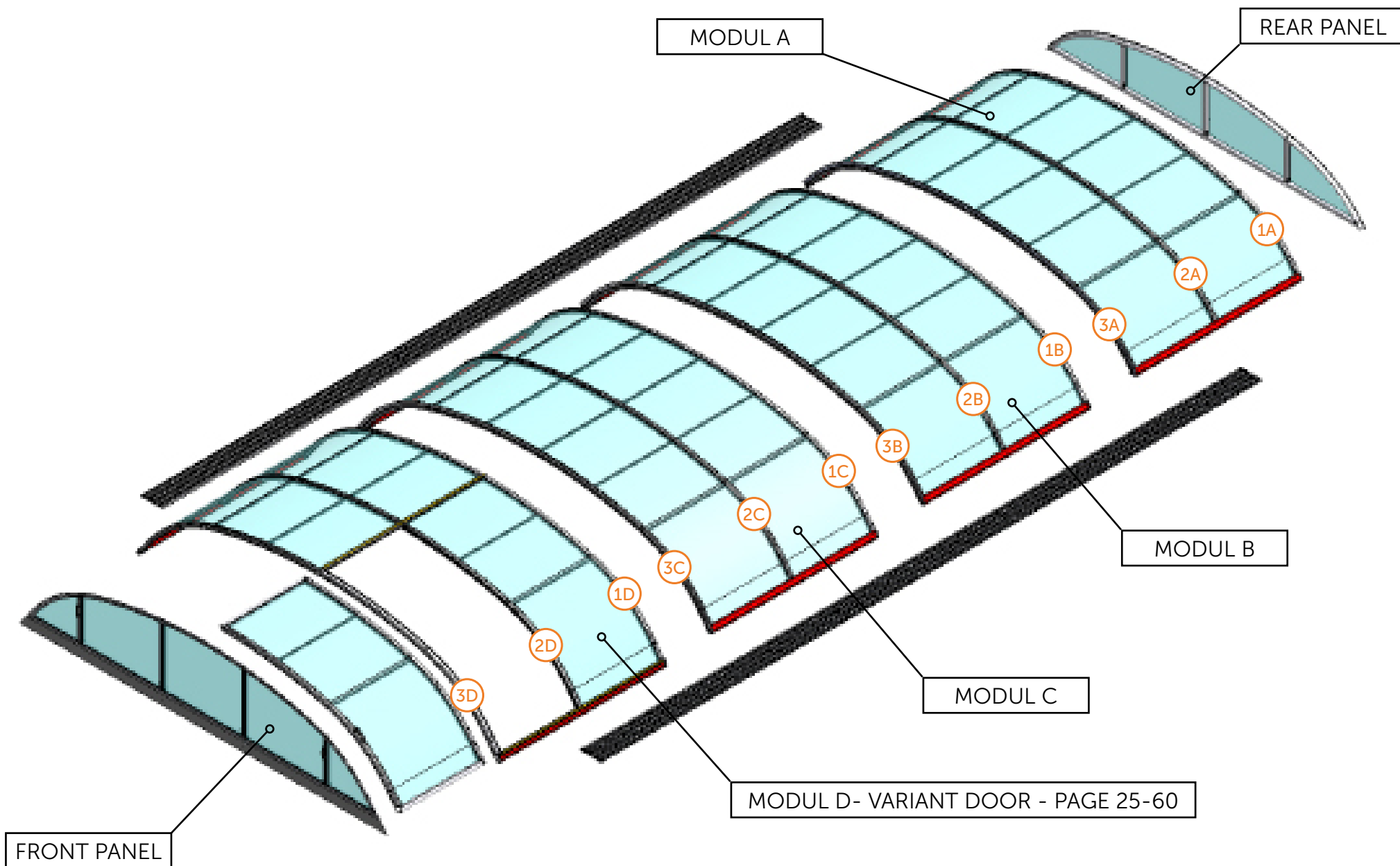
## OPTIONAL

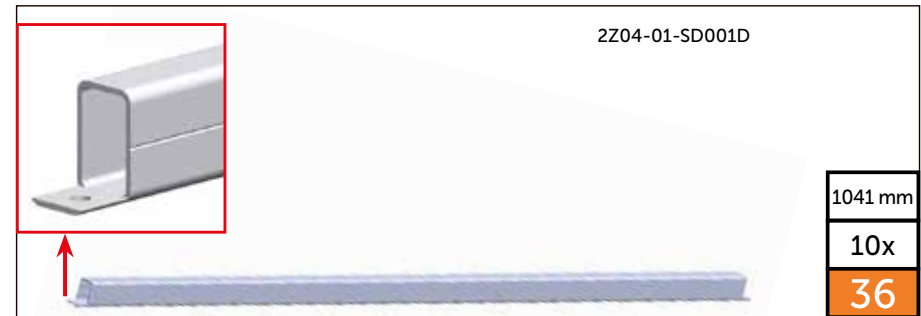
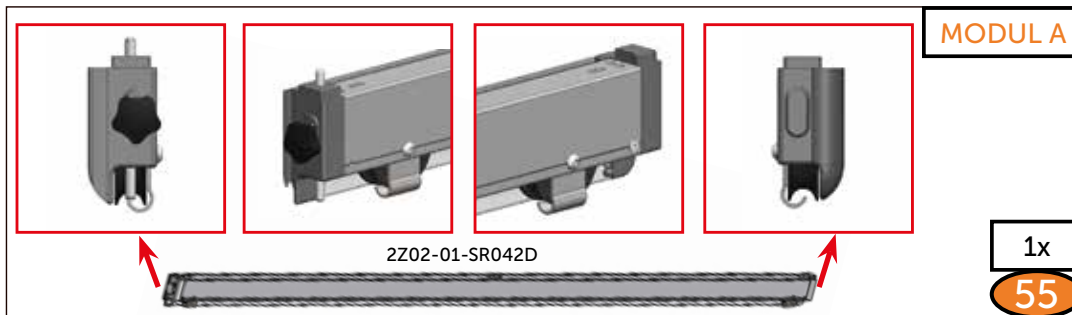
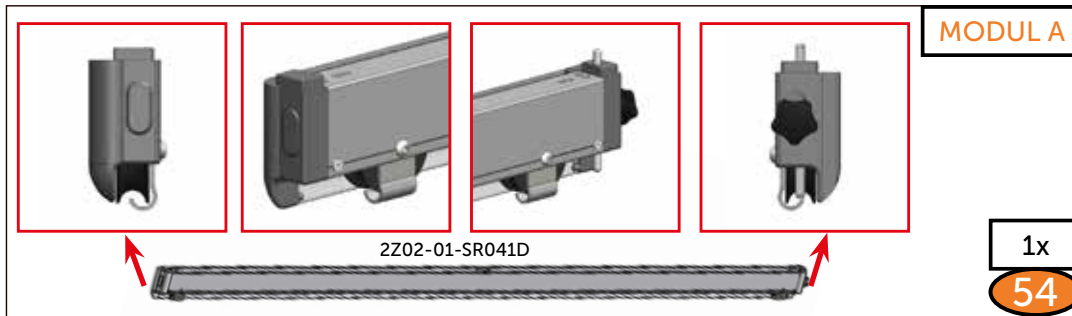
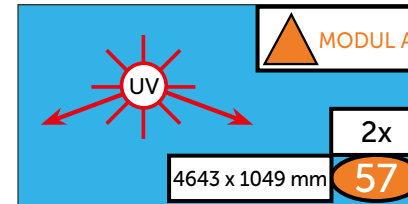
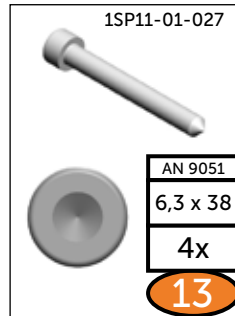
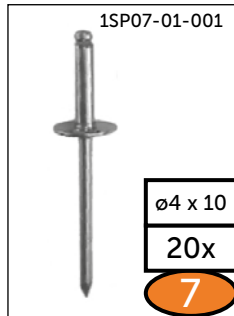
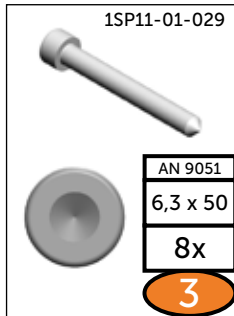
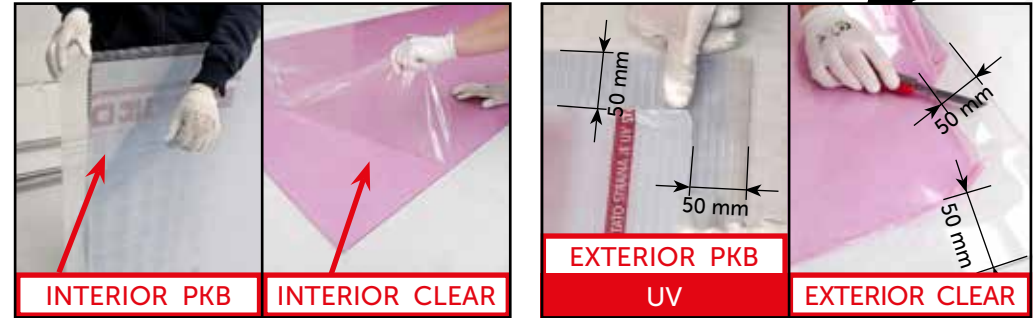
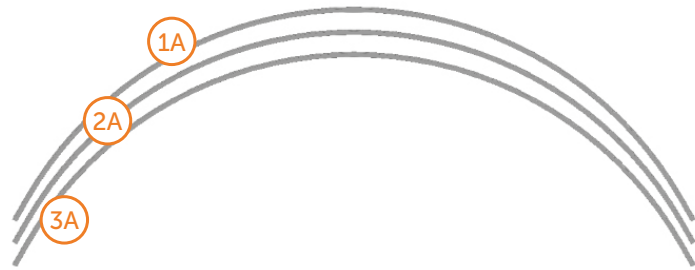
Prodloužení kolejí  
 Rail extension  
 Schienenverlängerung  
 Prolongement de rails  
 Ríales prolongados  
 Продолжение рельсов

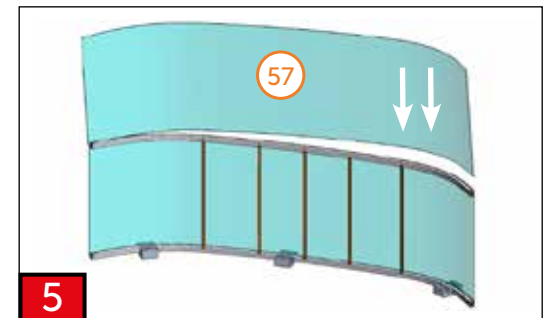
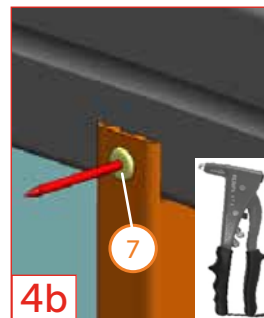
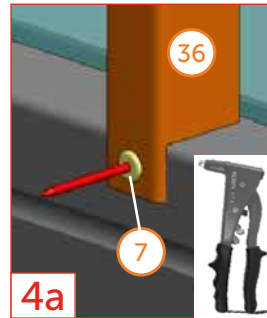
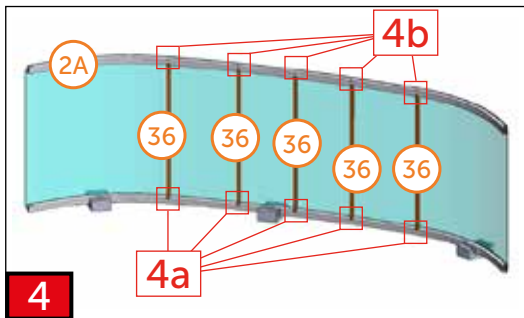
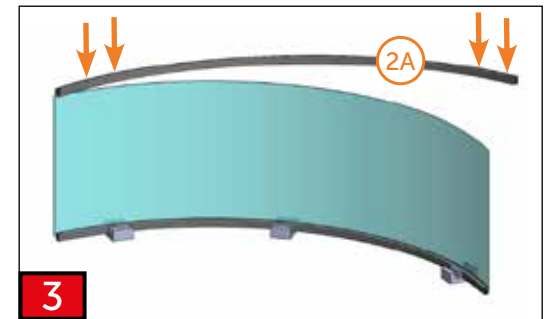
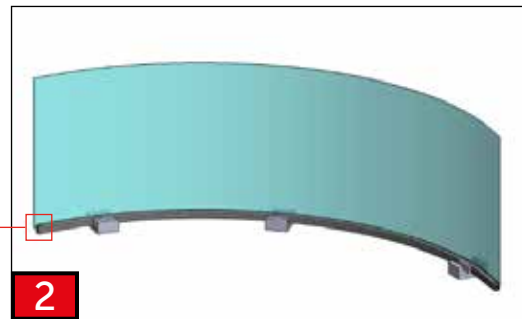
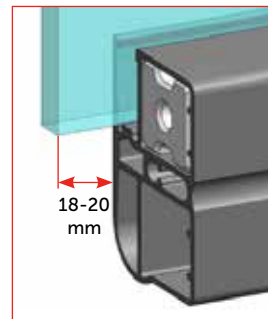
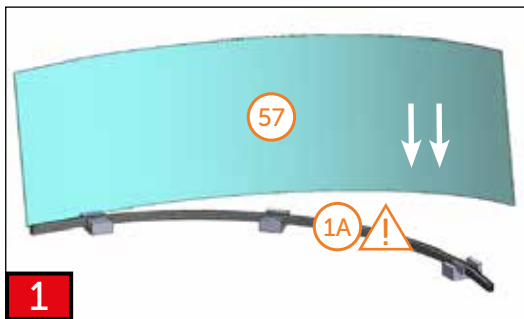
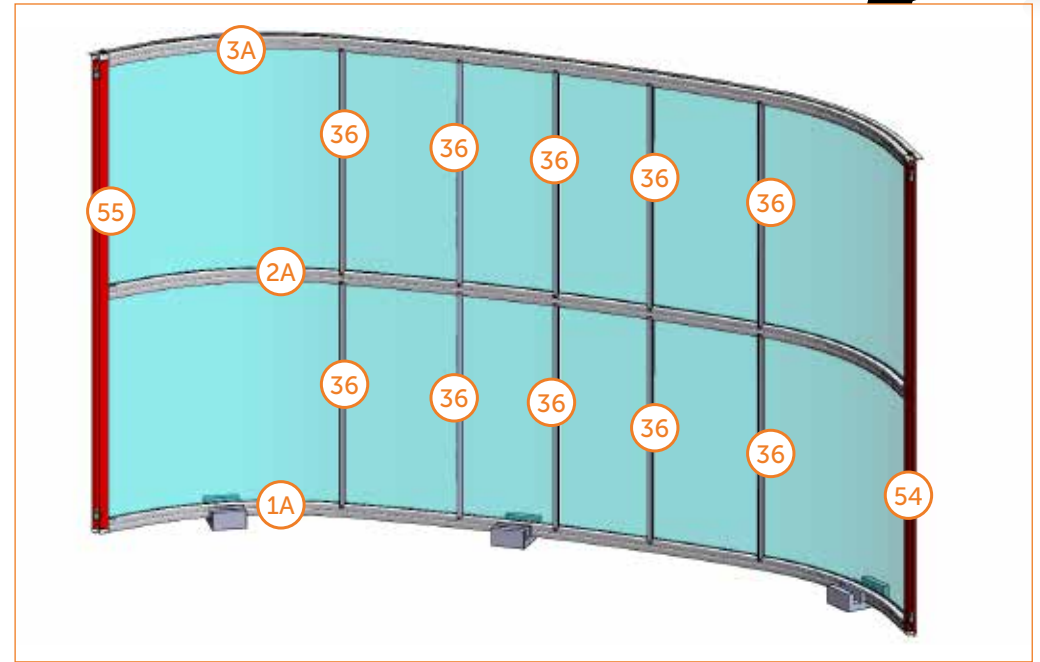
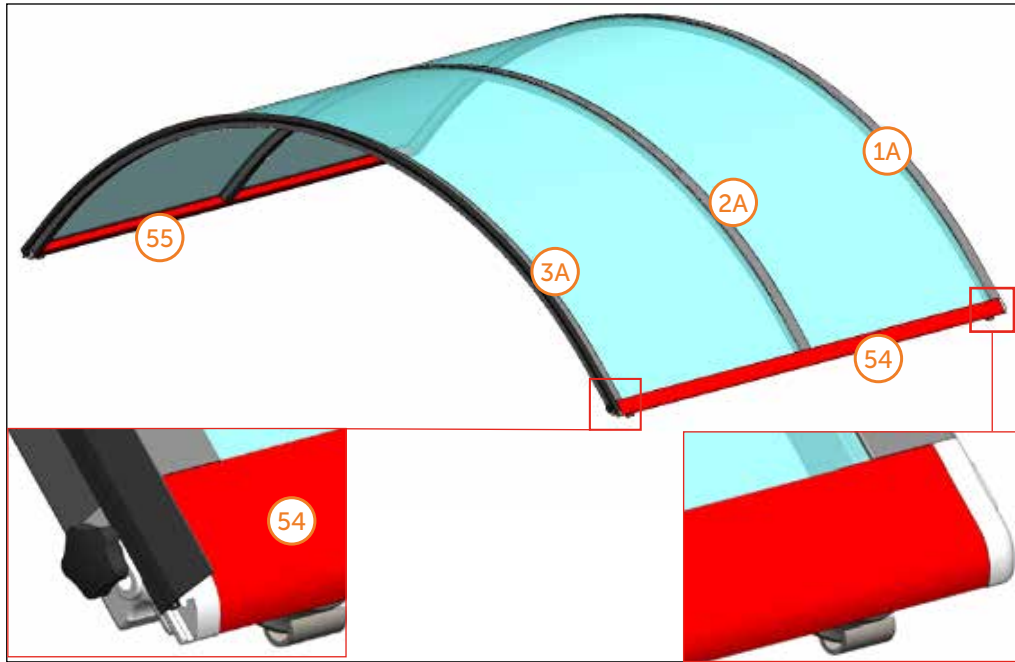


|    |    |    |    |
|----|----|----|----|
| 4x | 41 | 4x | 43 |
| 4x | 41 | 4x | 47 |

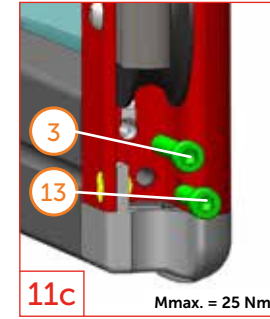
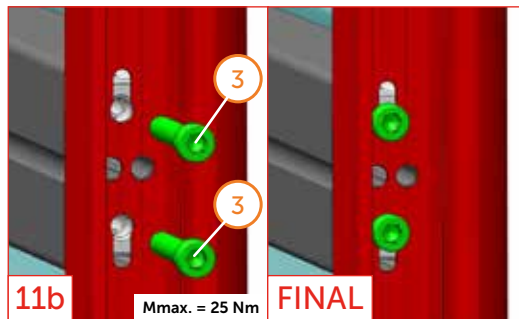
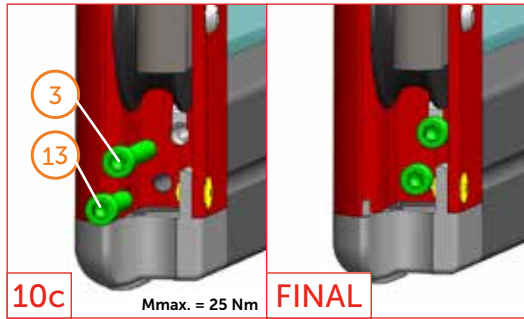
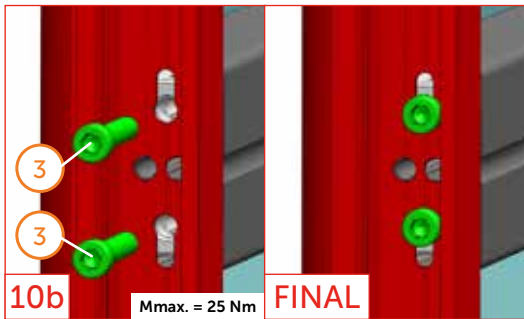
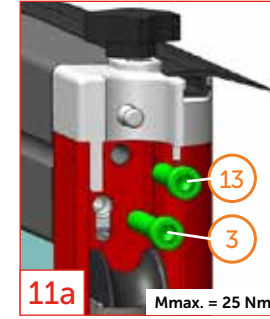
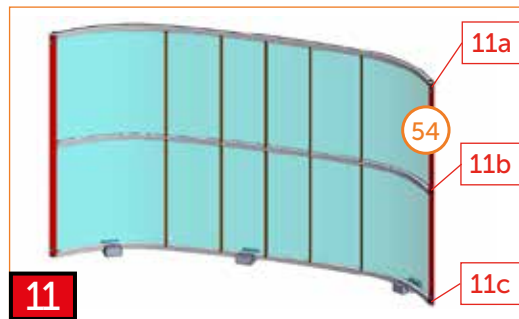
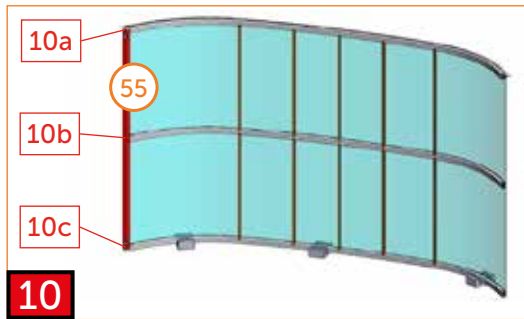
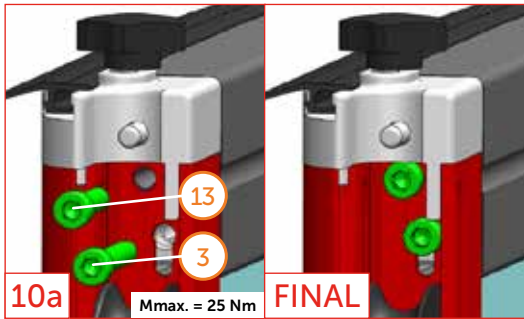
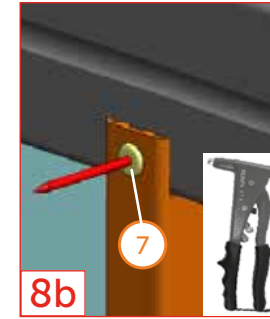
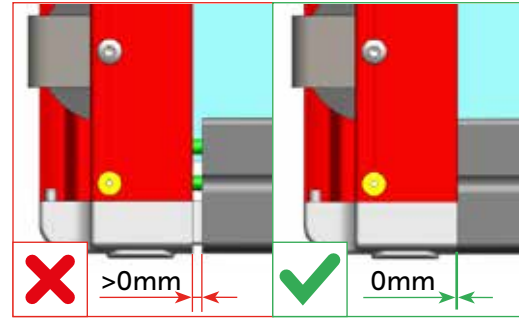
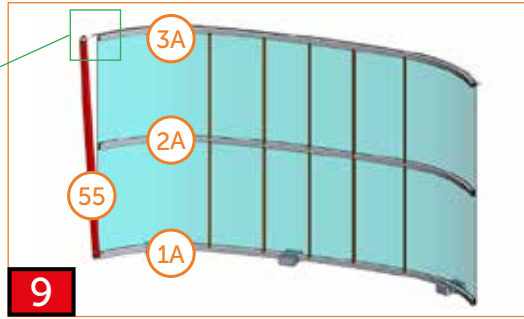
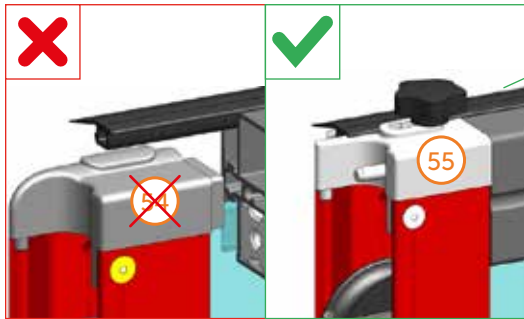
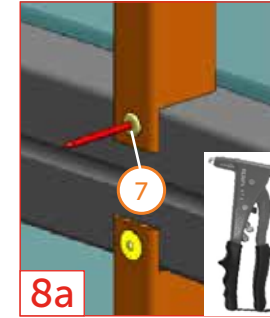
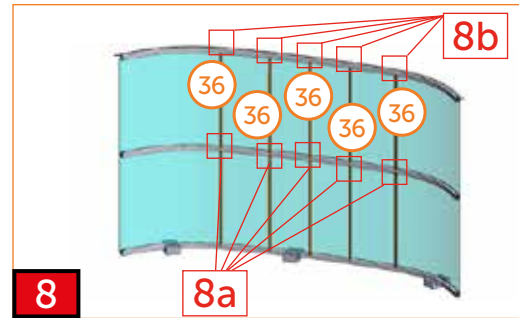
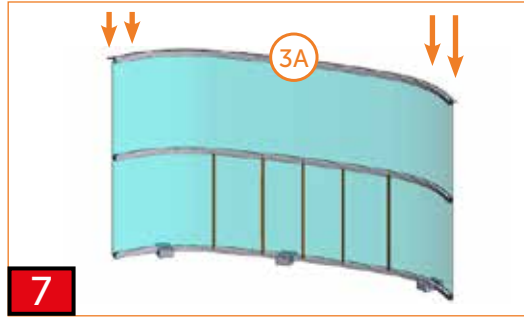
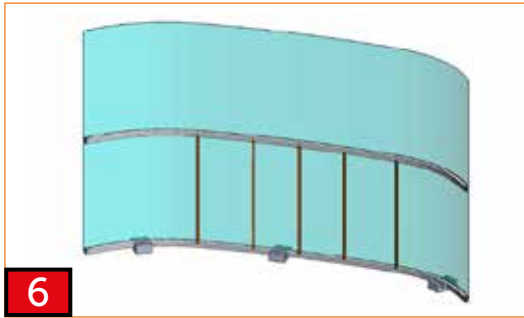


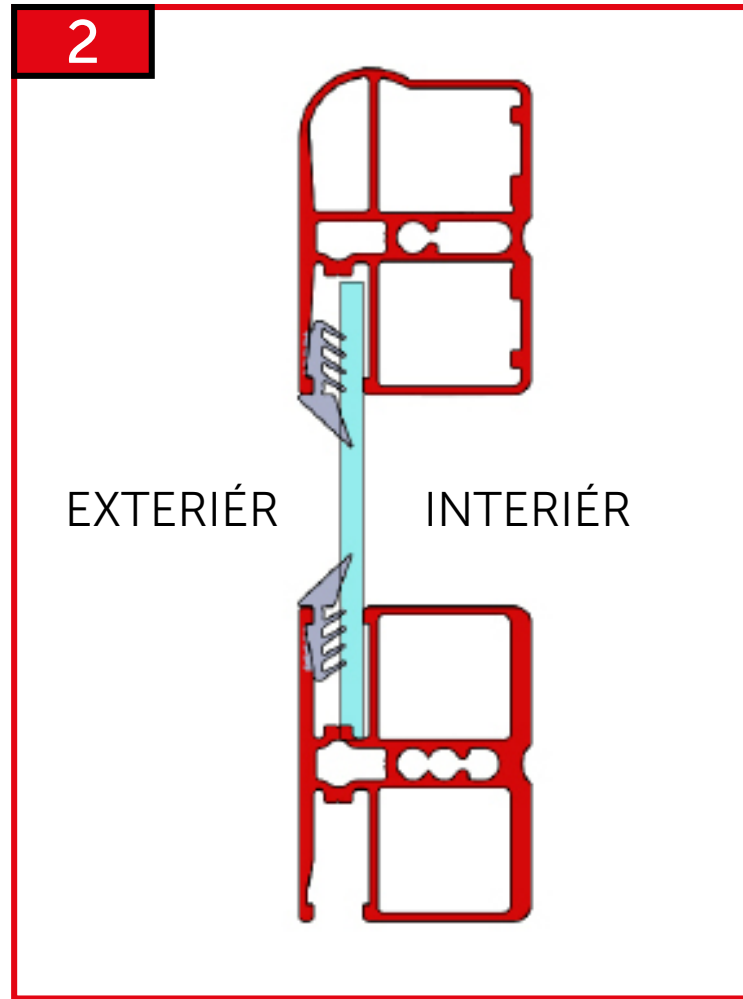
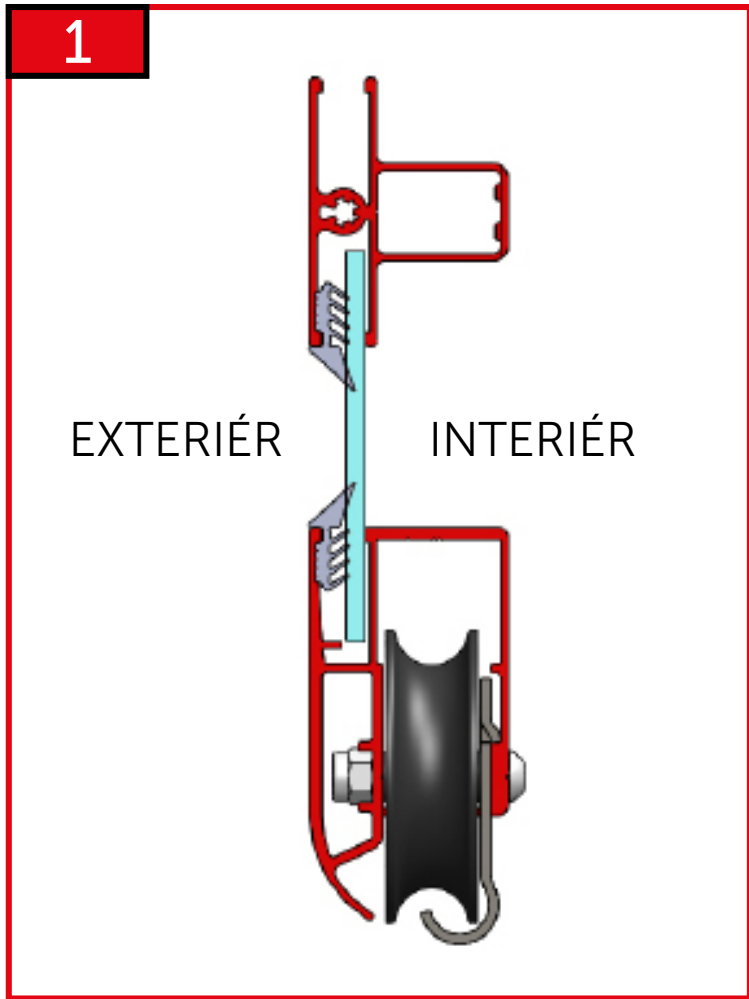


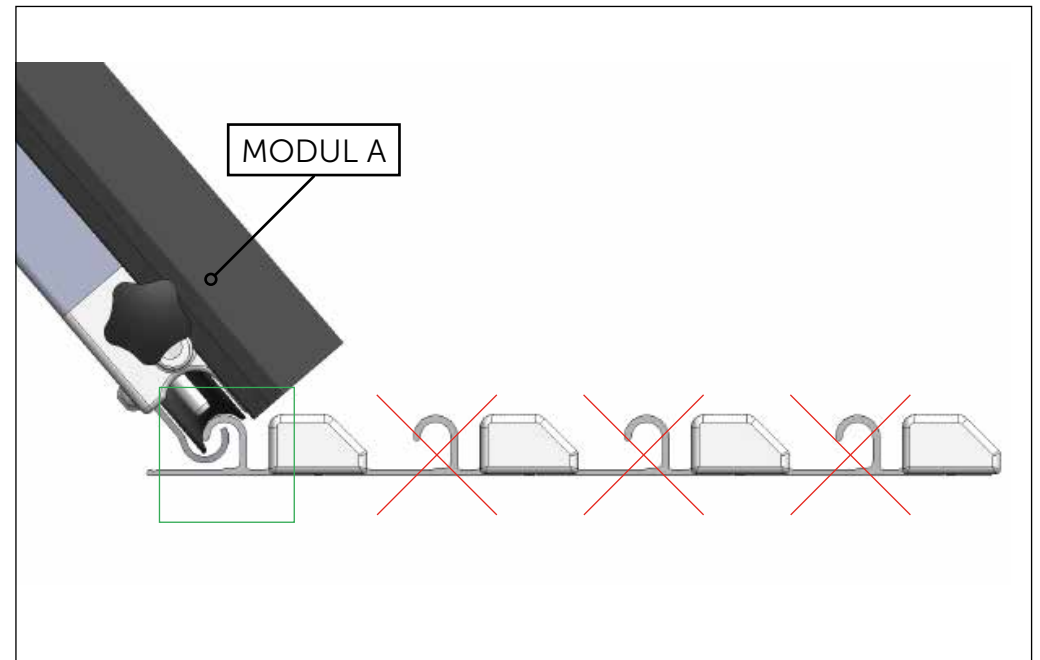
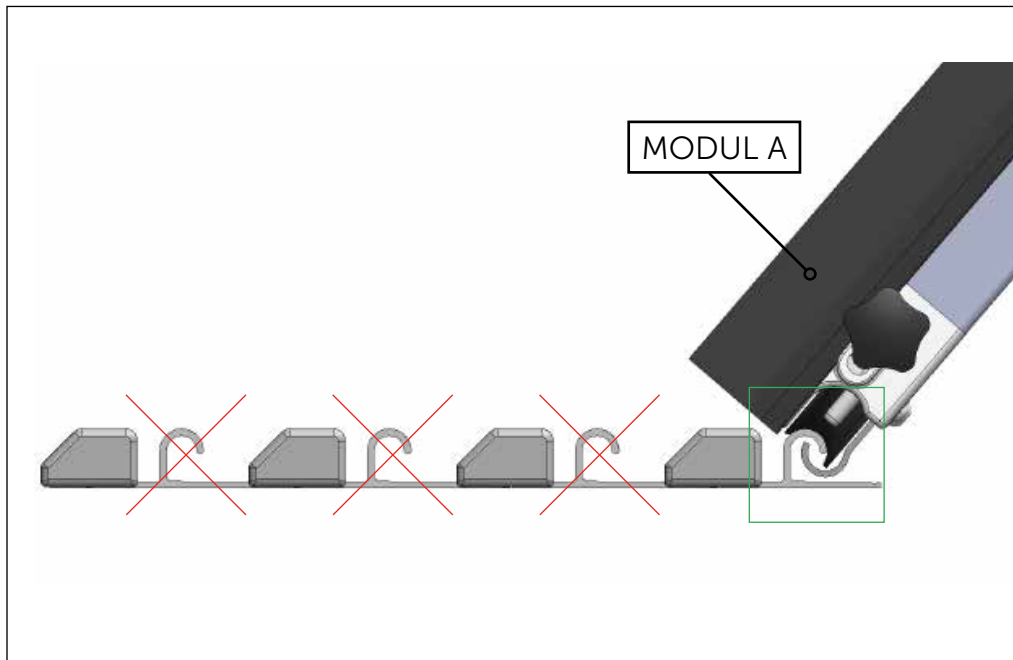
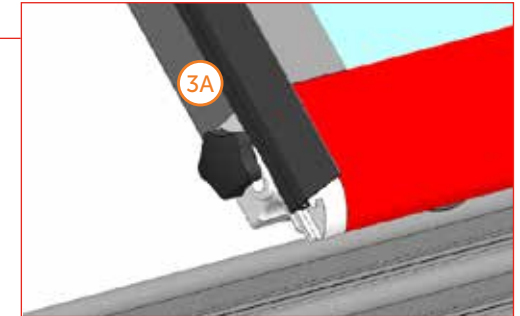
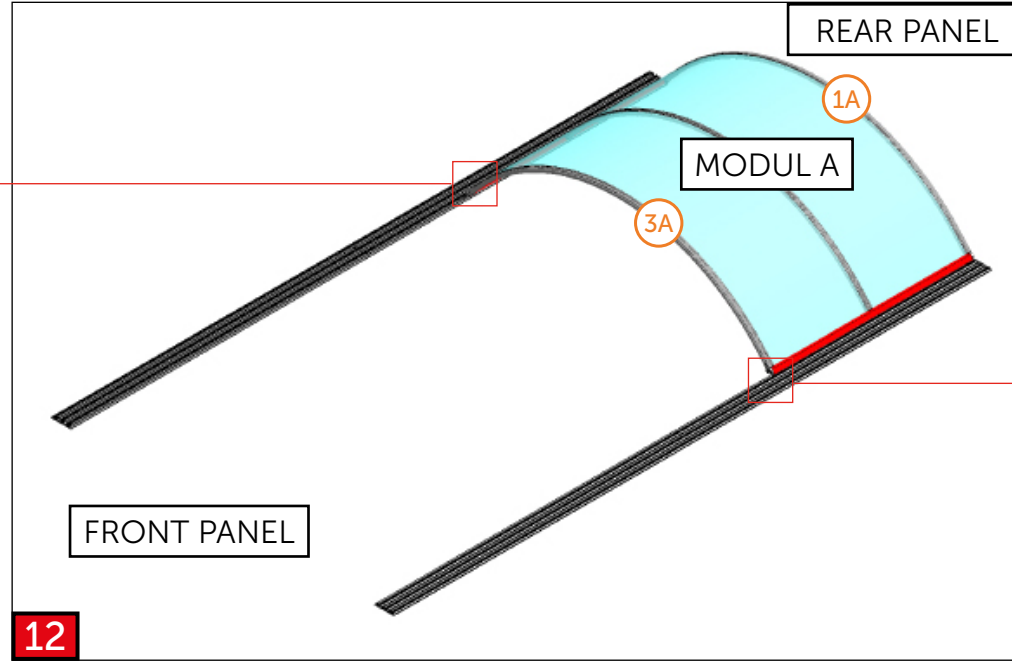
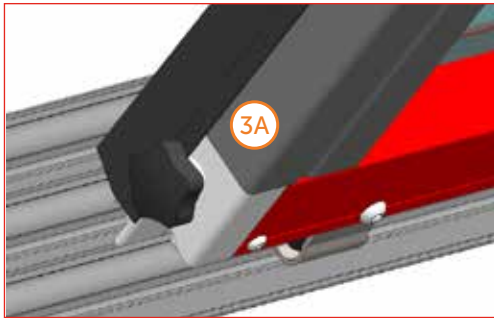


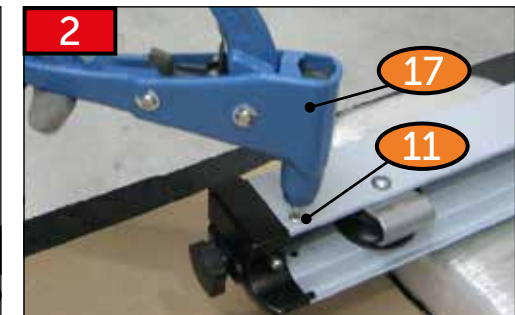
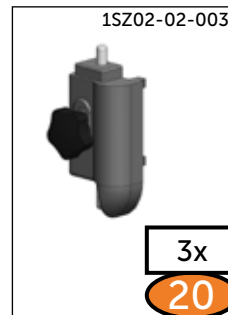
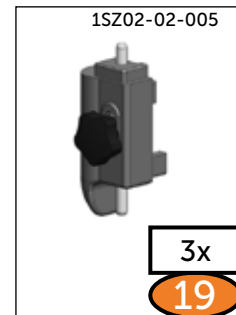
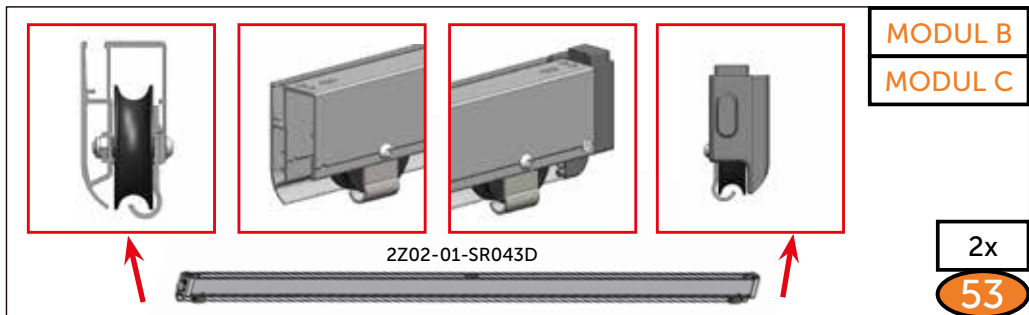
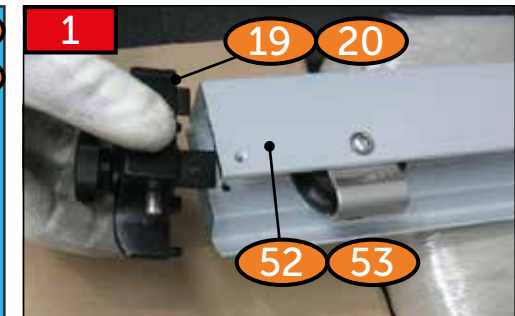
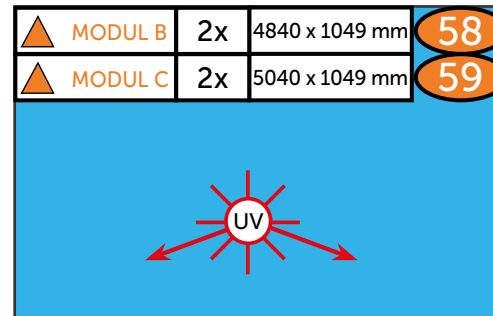
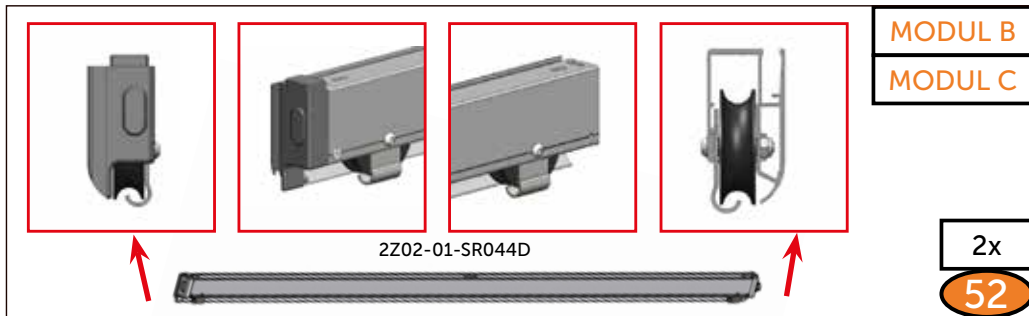
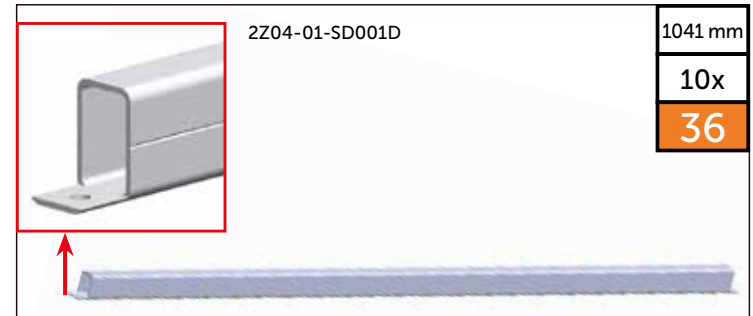
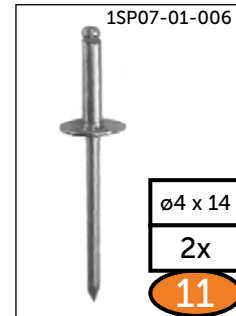
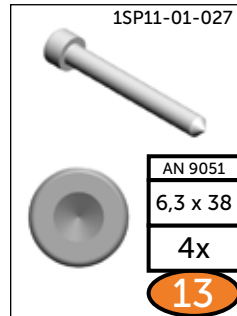
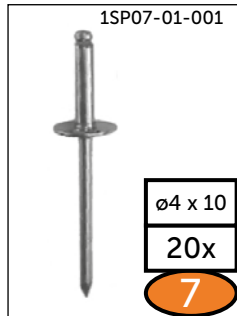
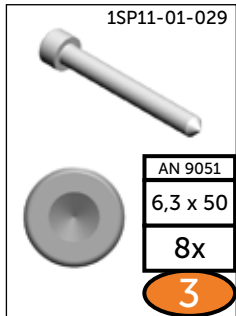
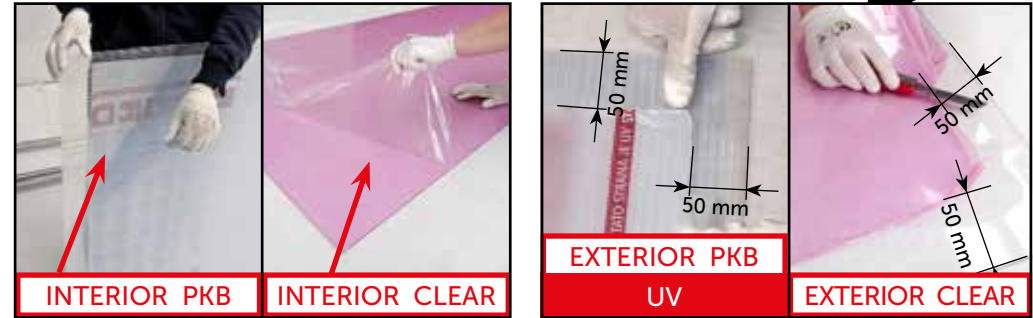
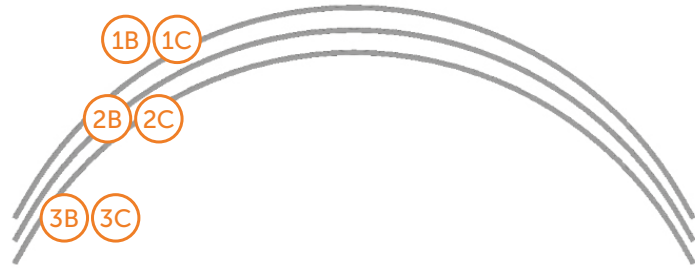


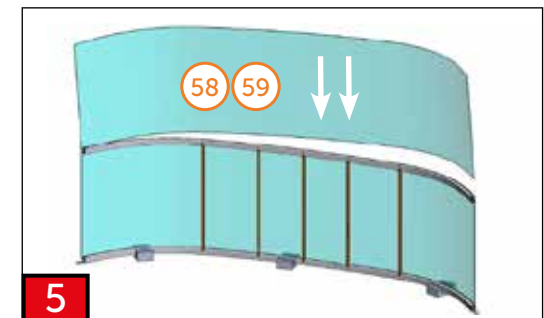
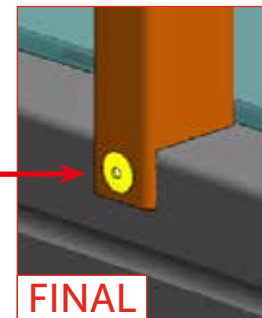
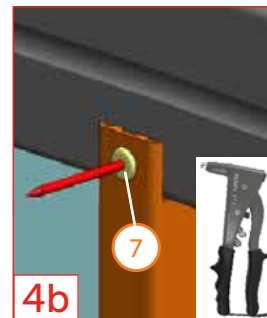
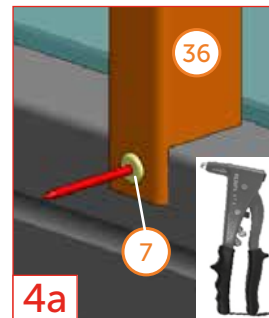
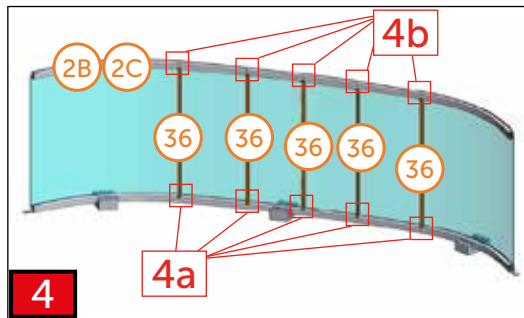
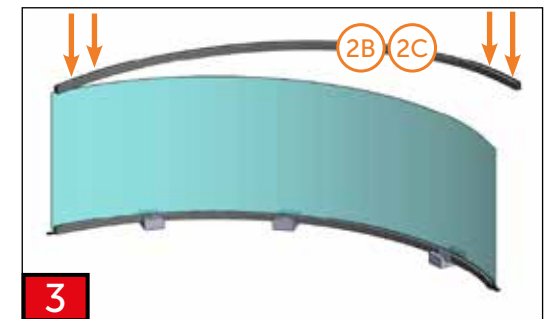
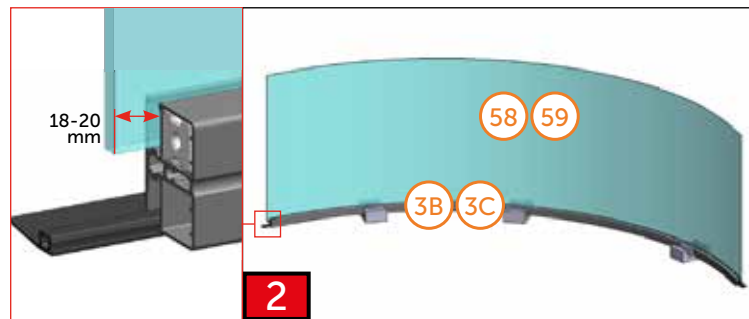
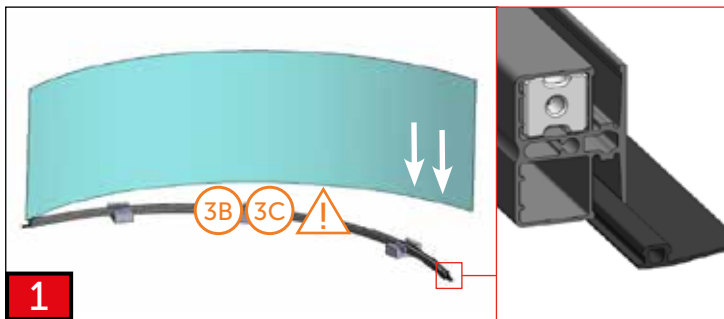
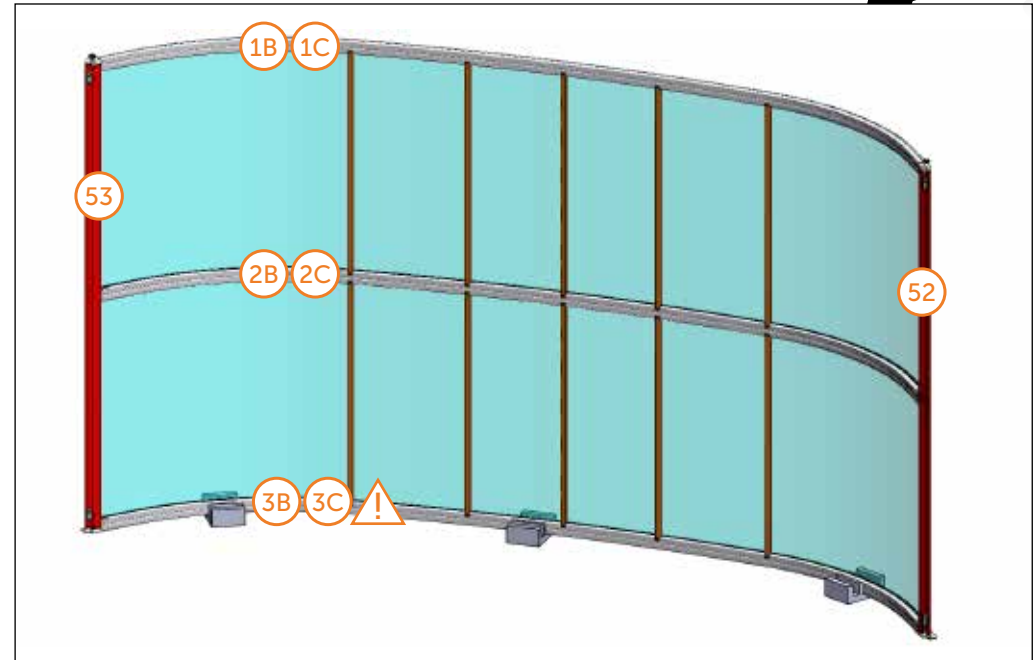
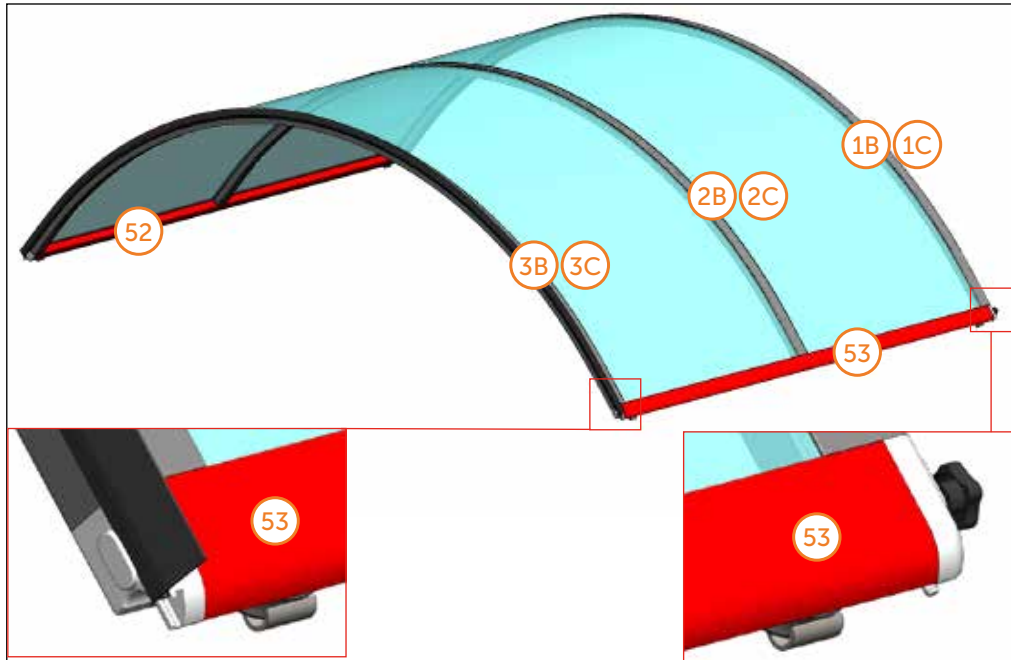


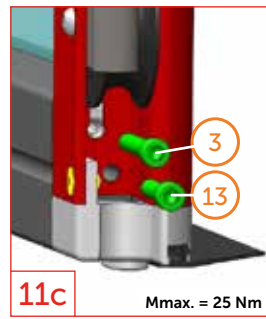
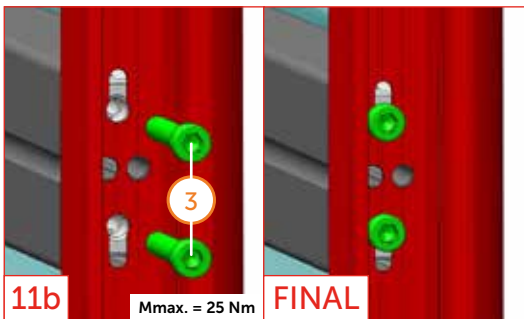
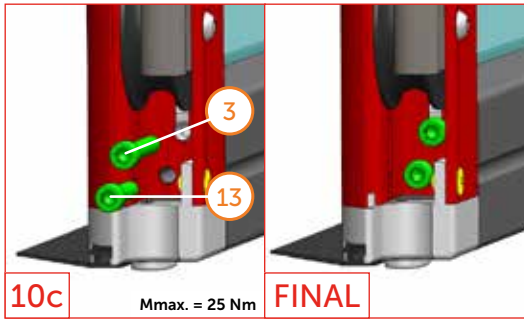
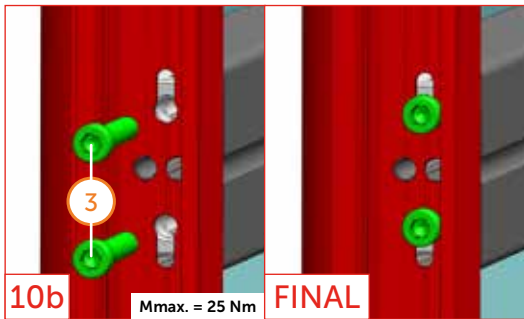
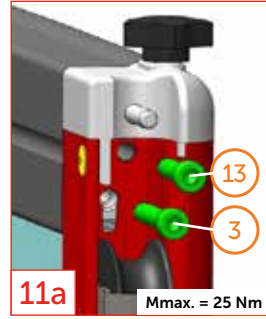
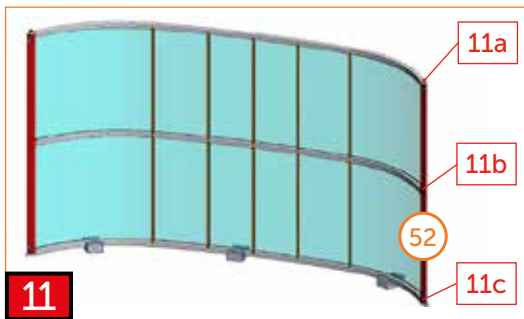
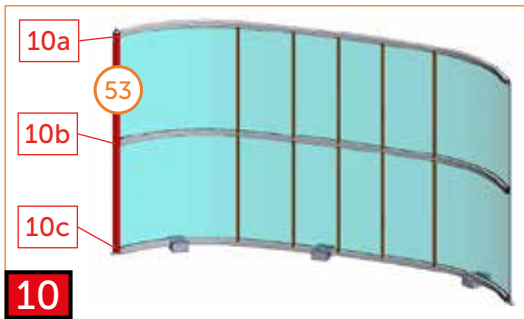
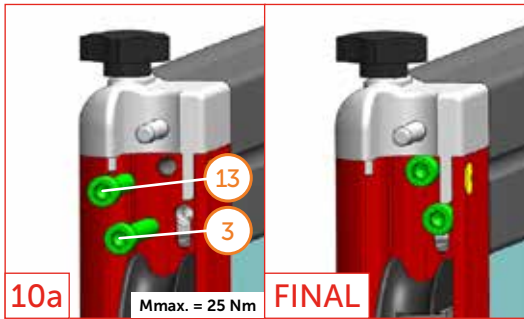
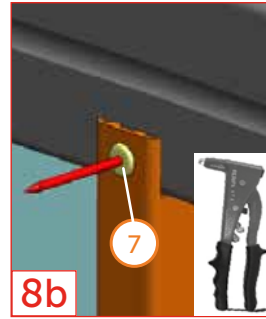
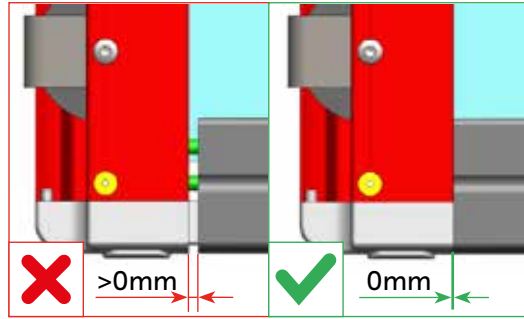
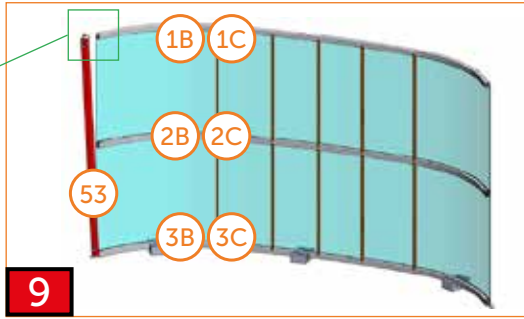
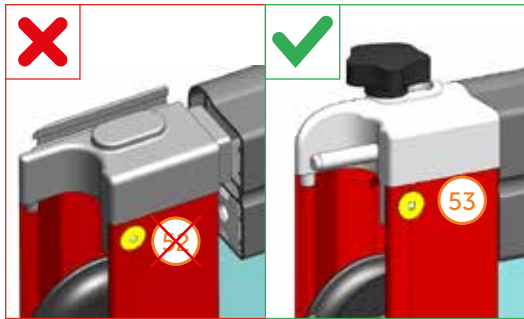
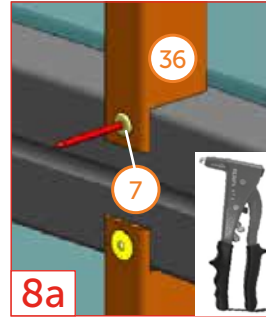
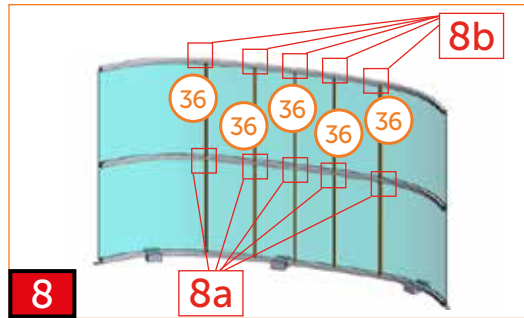
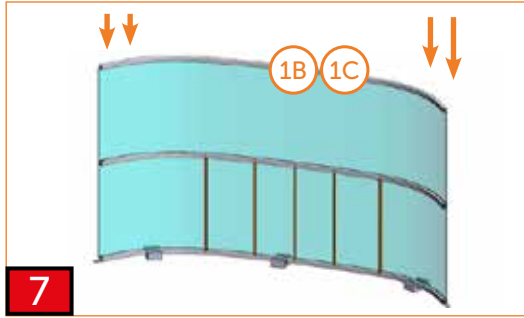
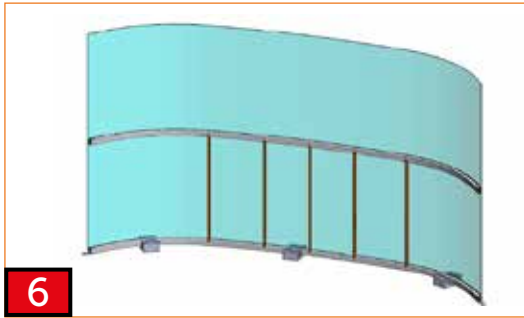


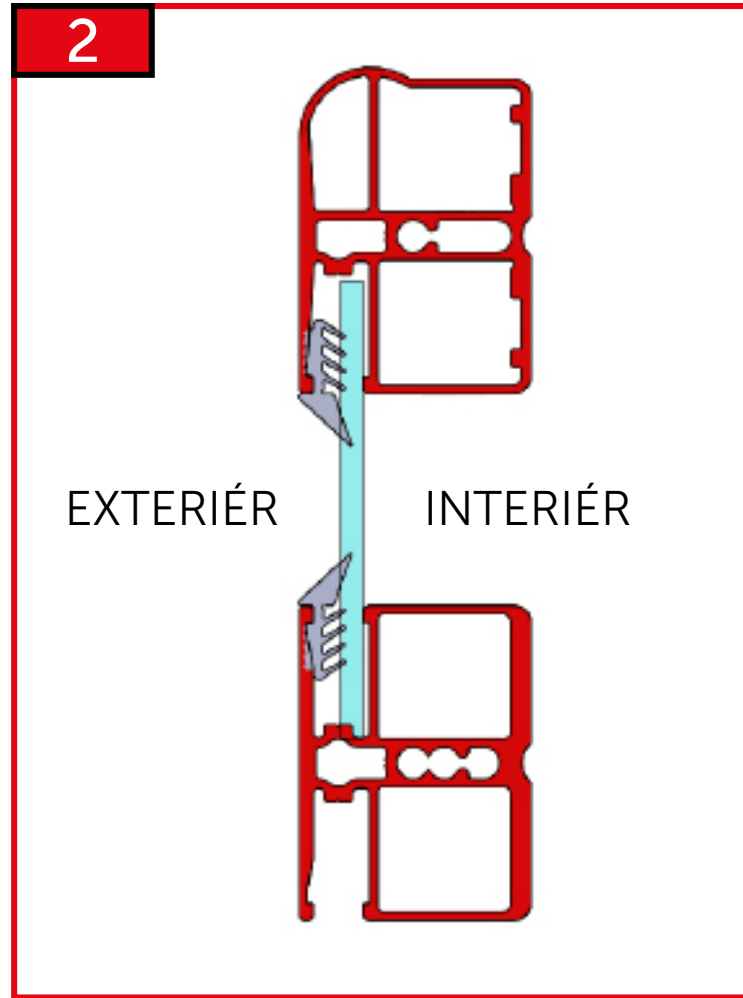
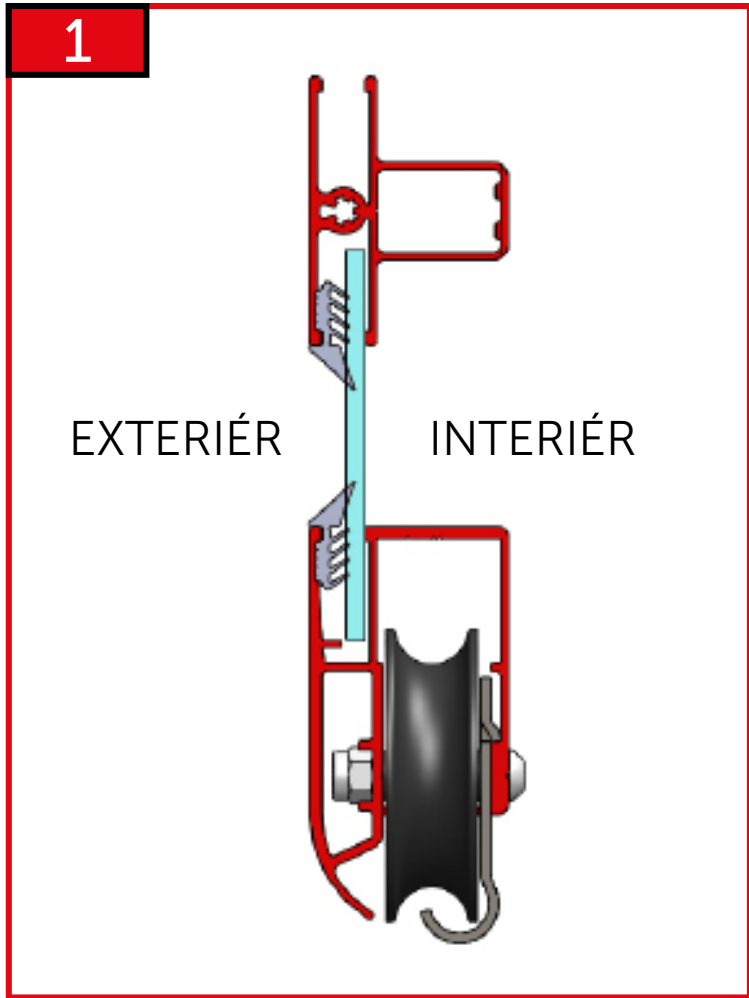


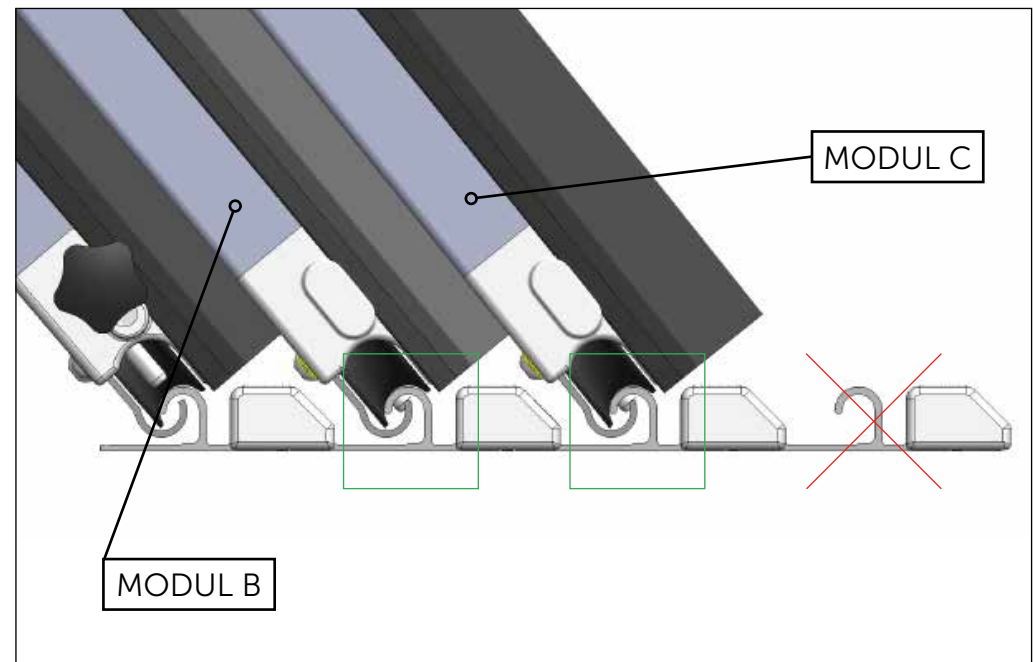
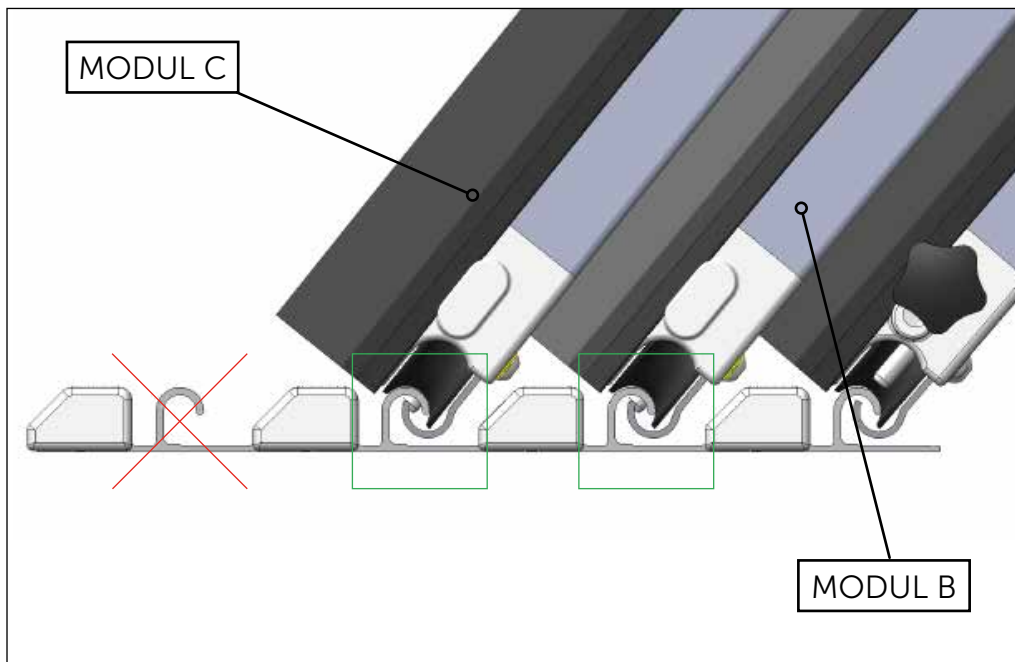
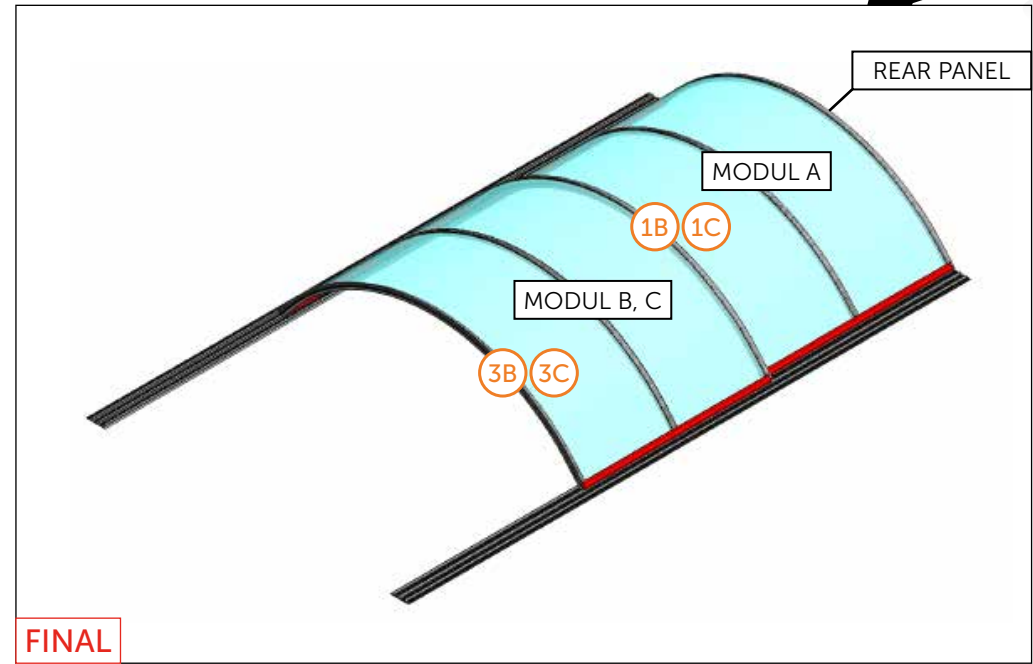
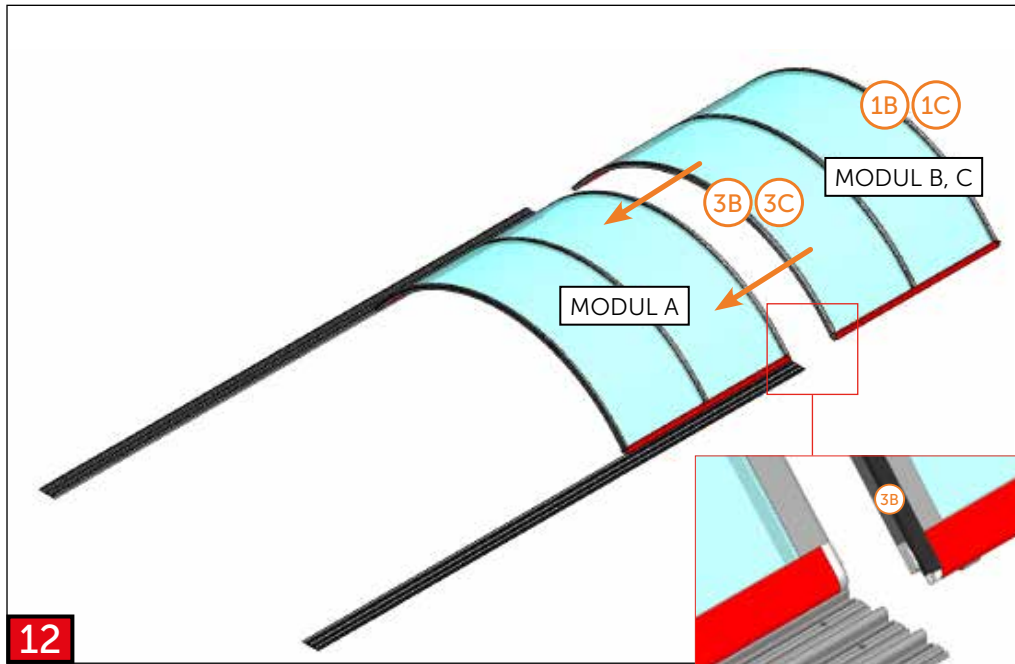
















**VARIANT 1**

**DOOR LEFT**

PAGE 47-53

PAGE 27-31

**VARIANT 2**

**DOOR RIGHT**

PAGE 54-60

PAGE 32-36

**VARIANT 3**

**DOOR RIGHT**

PAGE 54-60

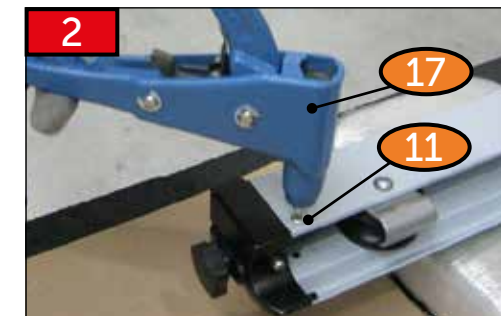
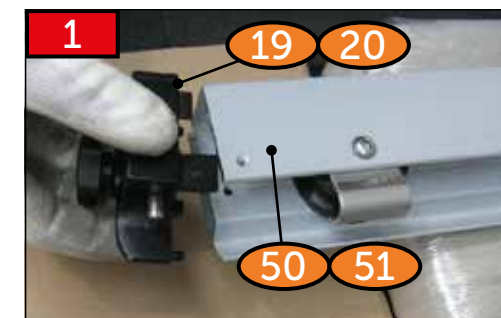
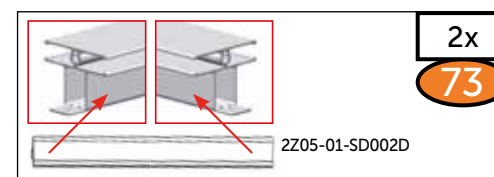
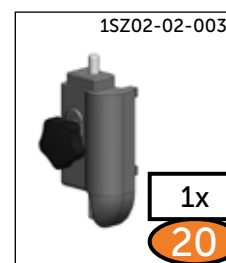
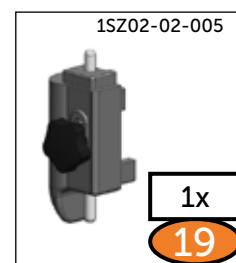
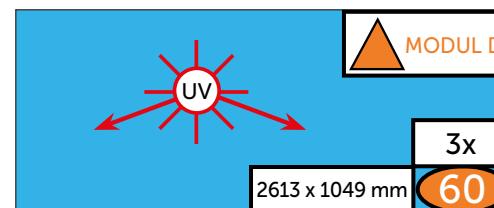
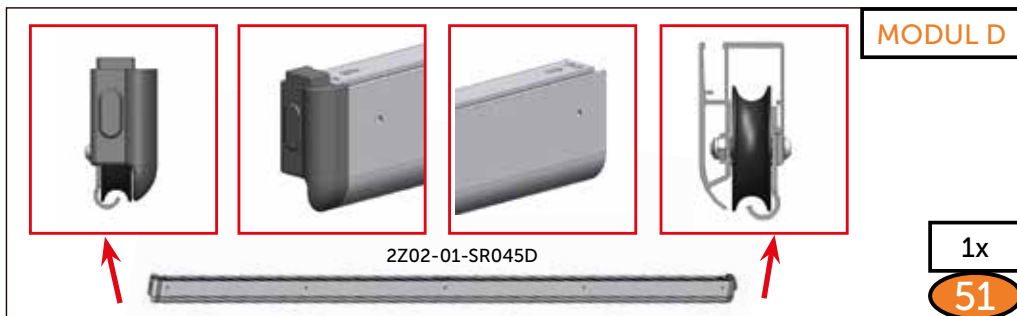
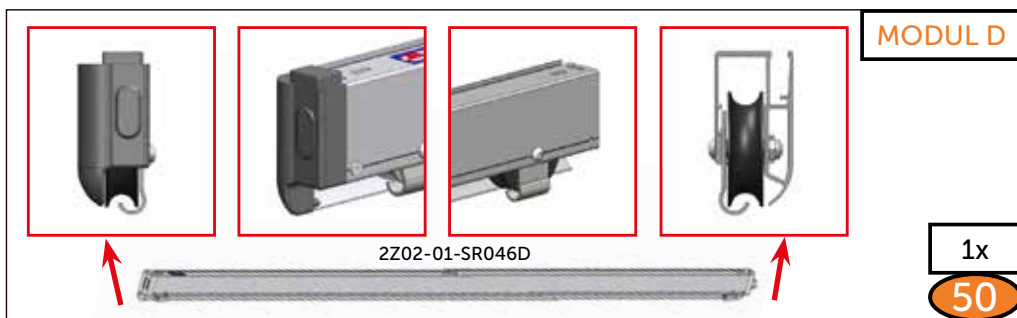
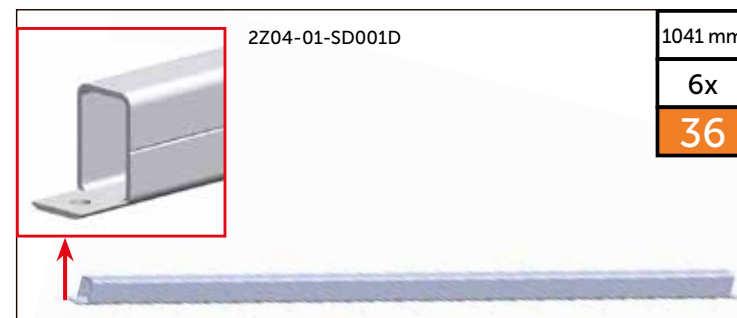
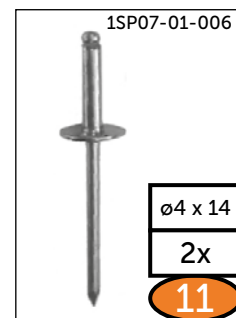
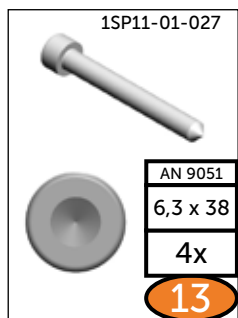
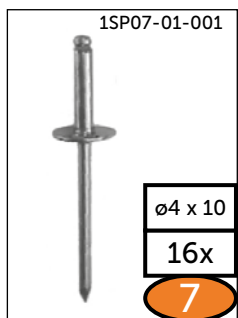
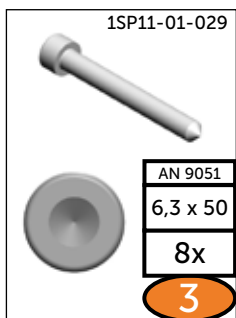
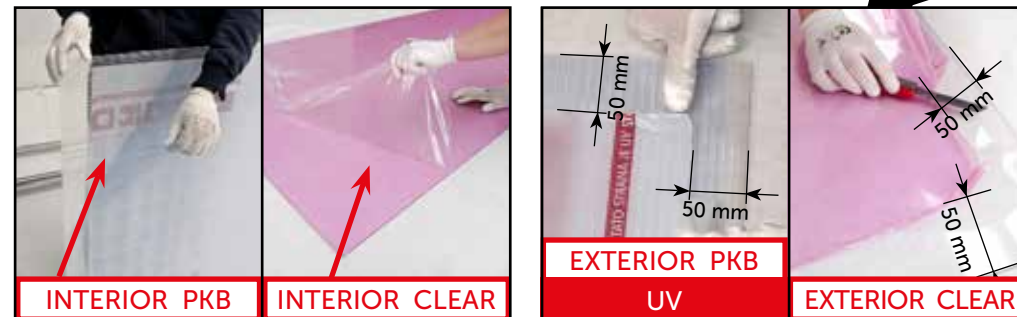
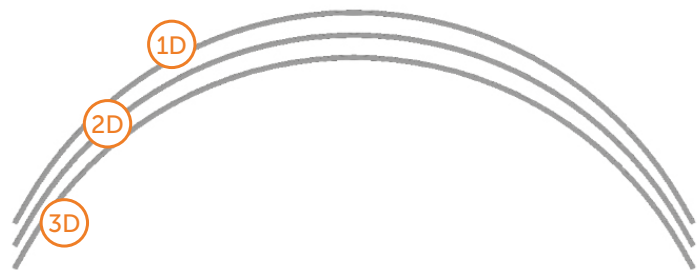
PAGE 37-41

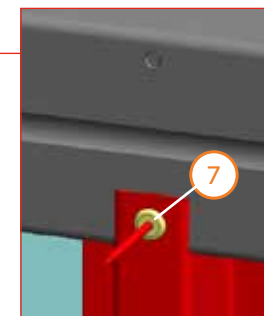
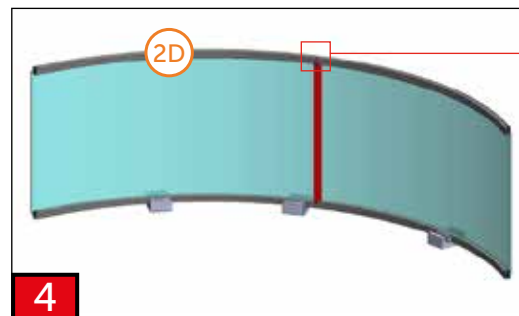
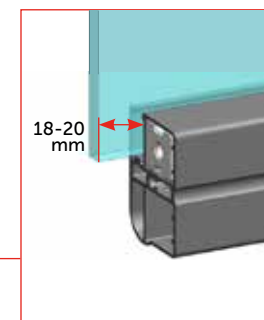
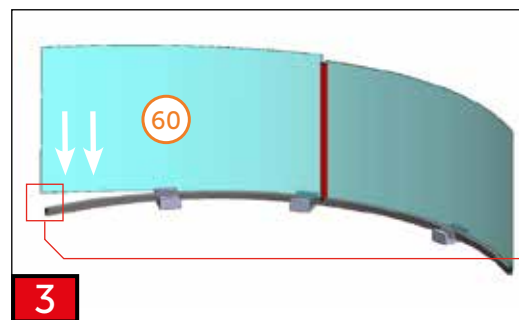
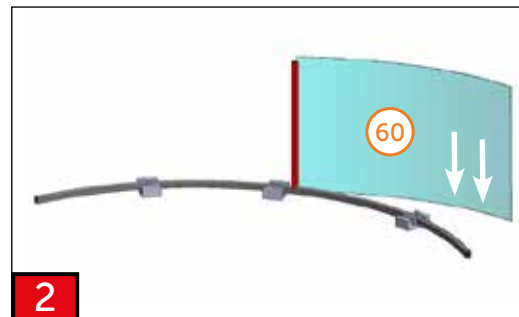
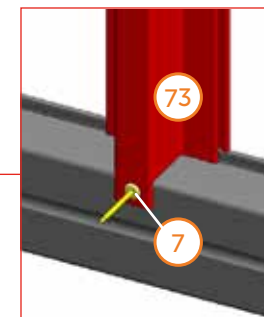
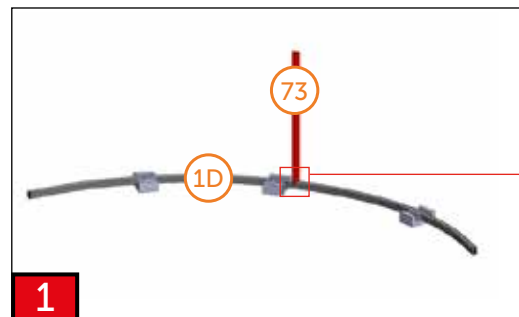
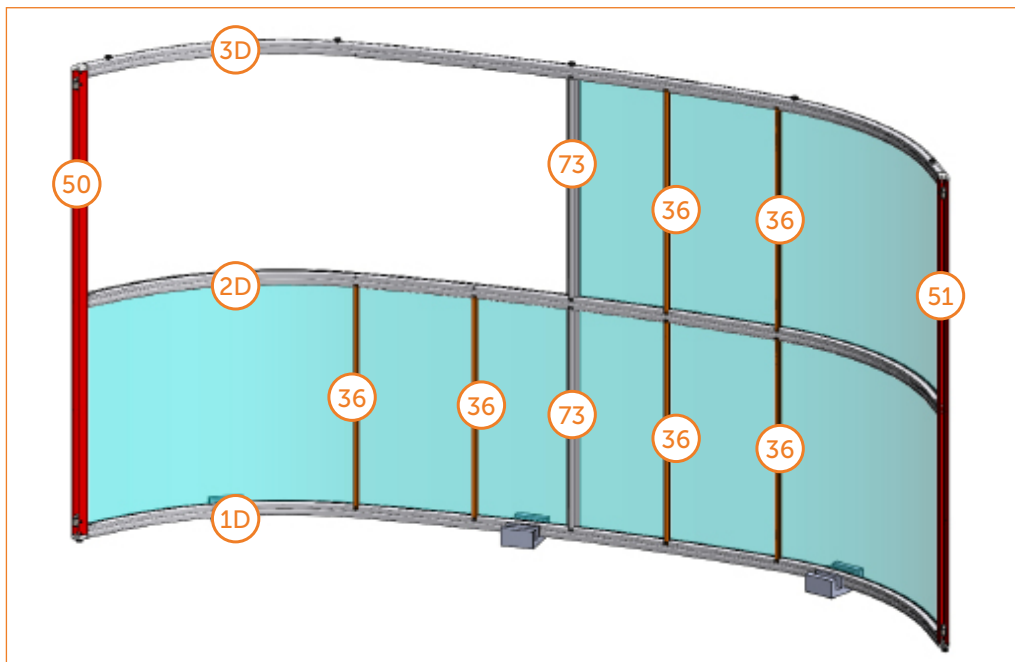
**VARIANT 4**

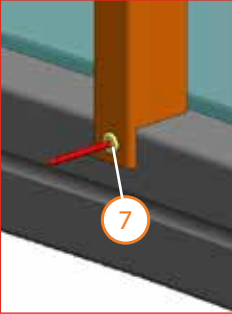
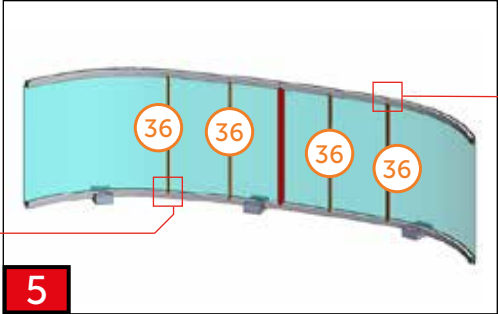
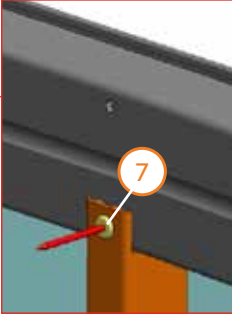
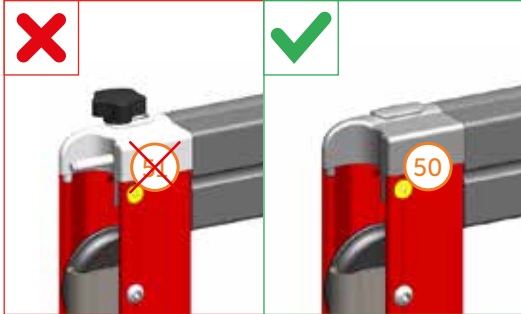
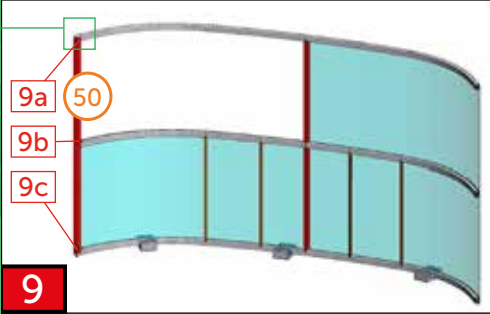
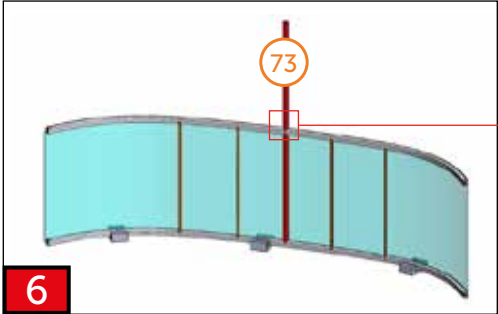
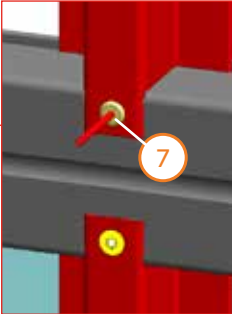
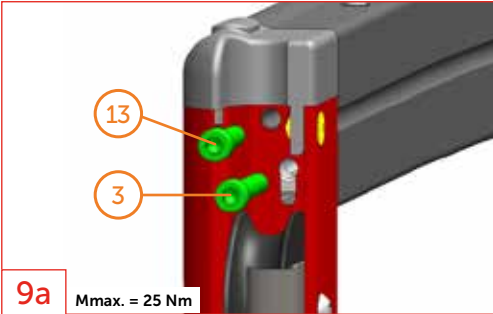
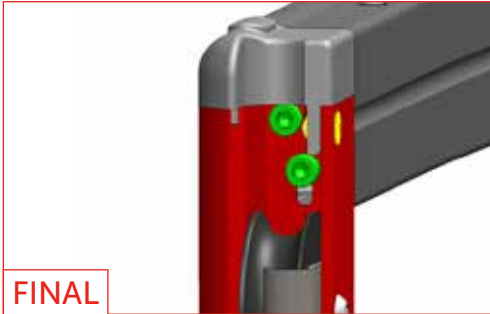
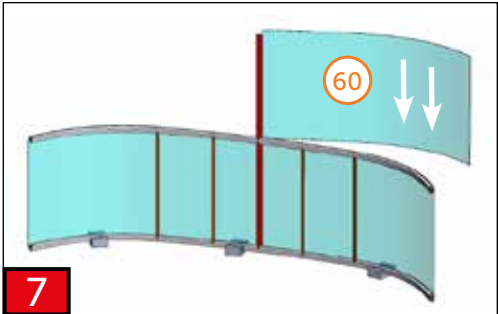

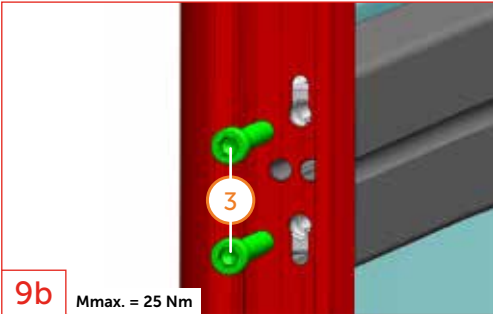
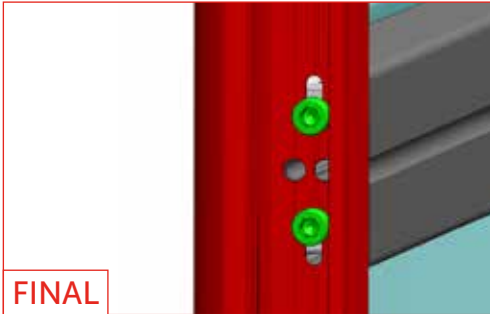
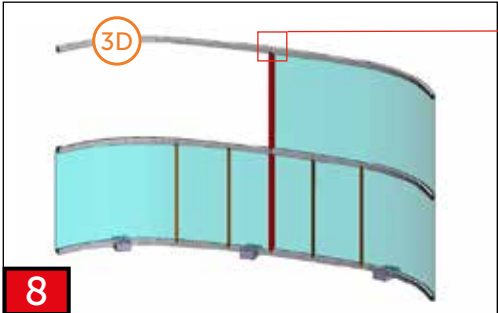
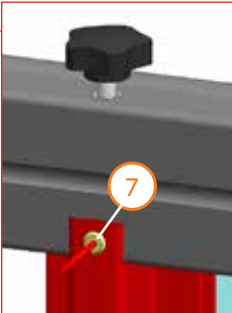
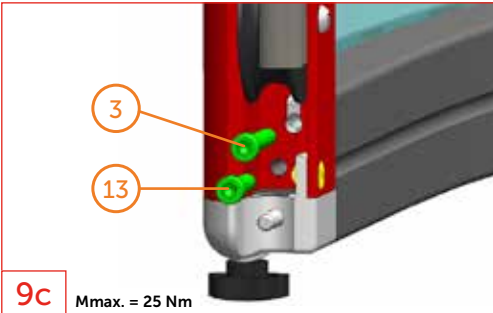

**DOOR LEFT**

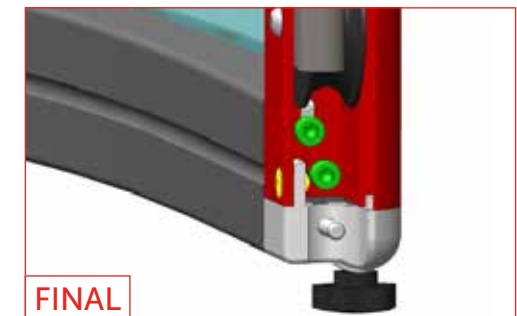
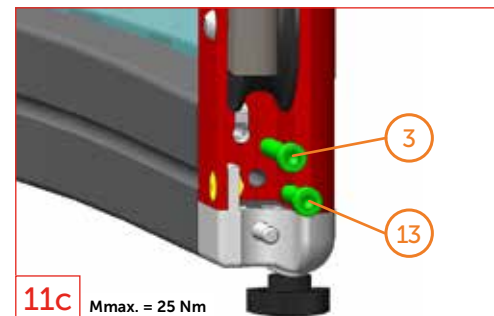
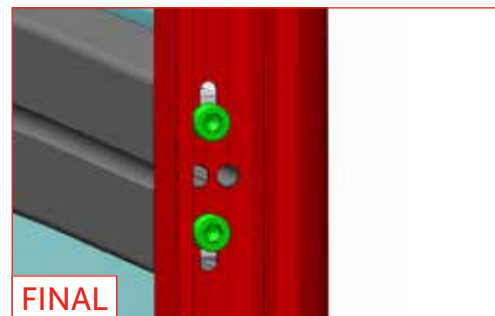
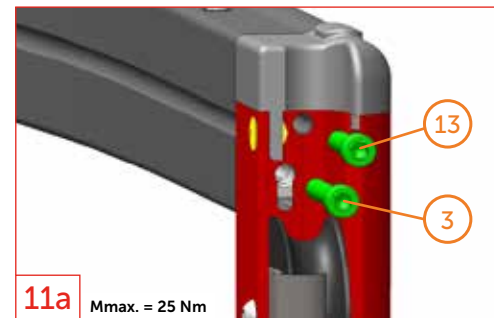
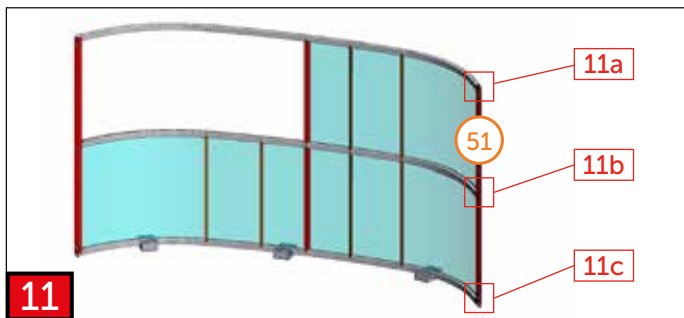
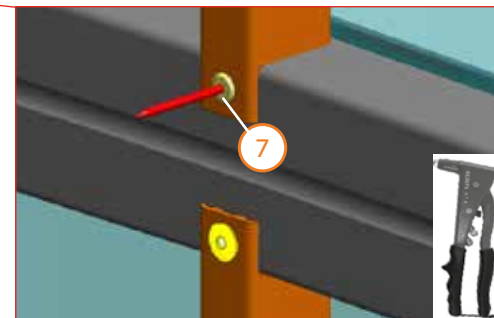
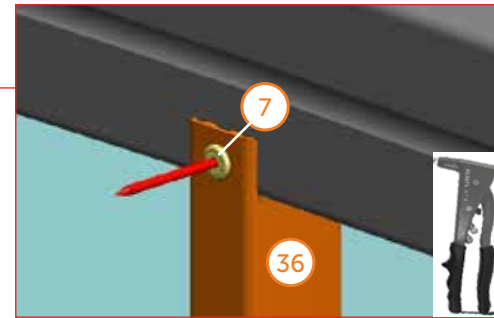
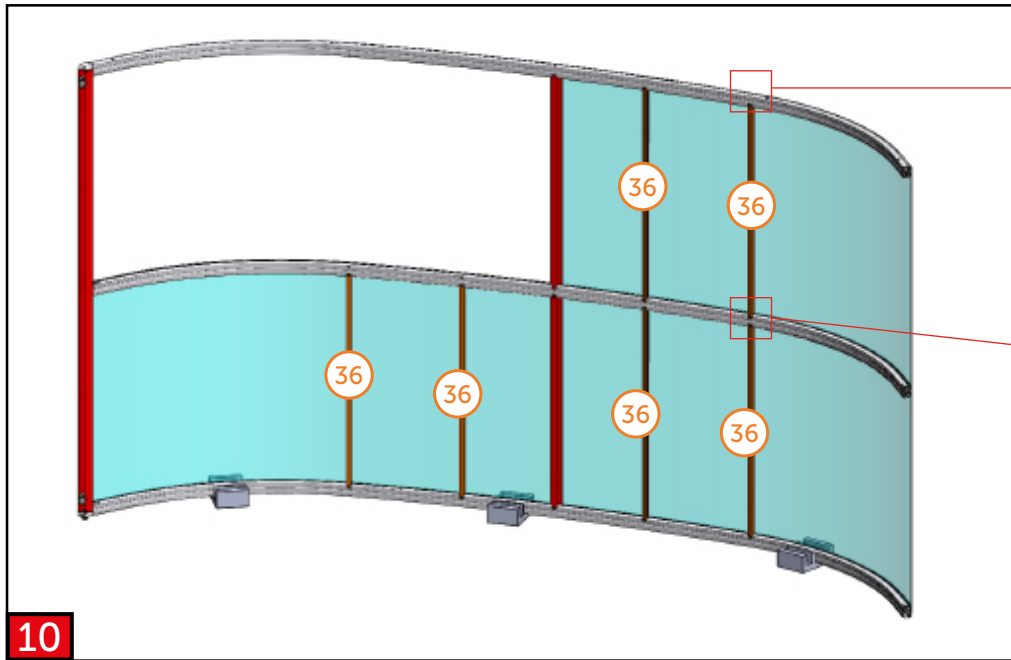
PAGE 47-53

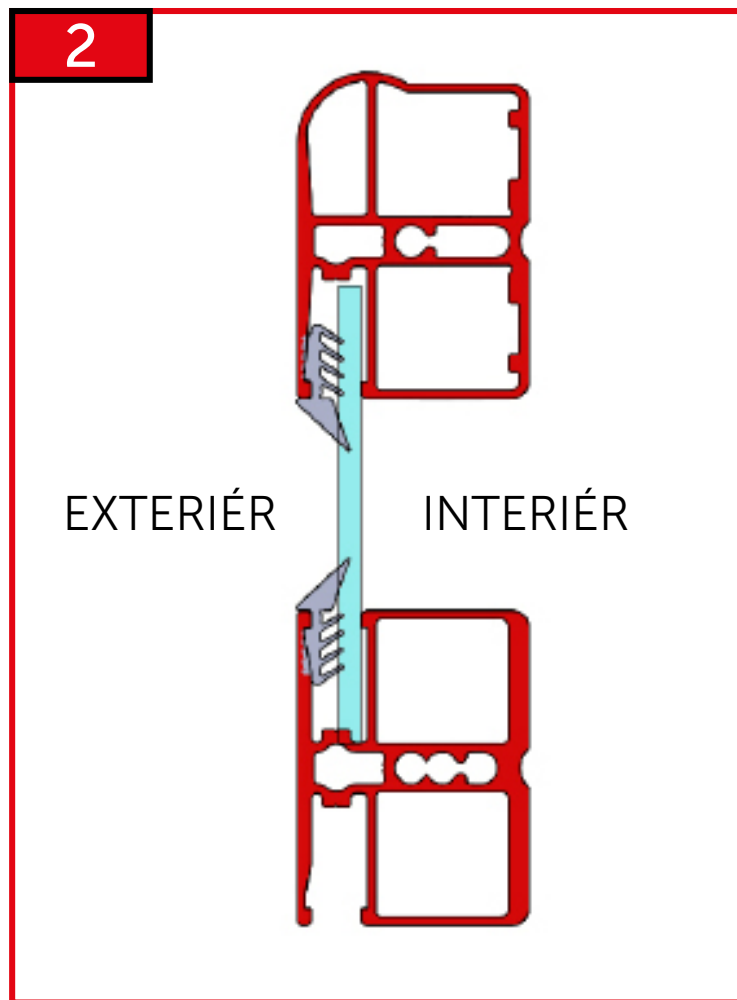
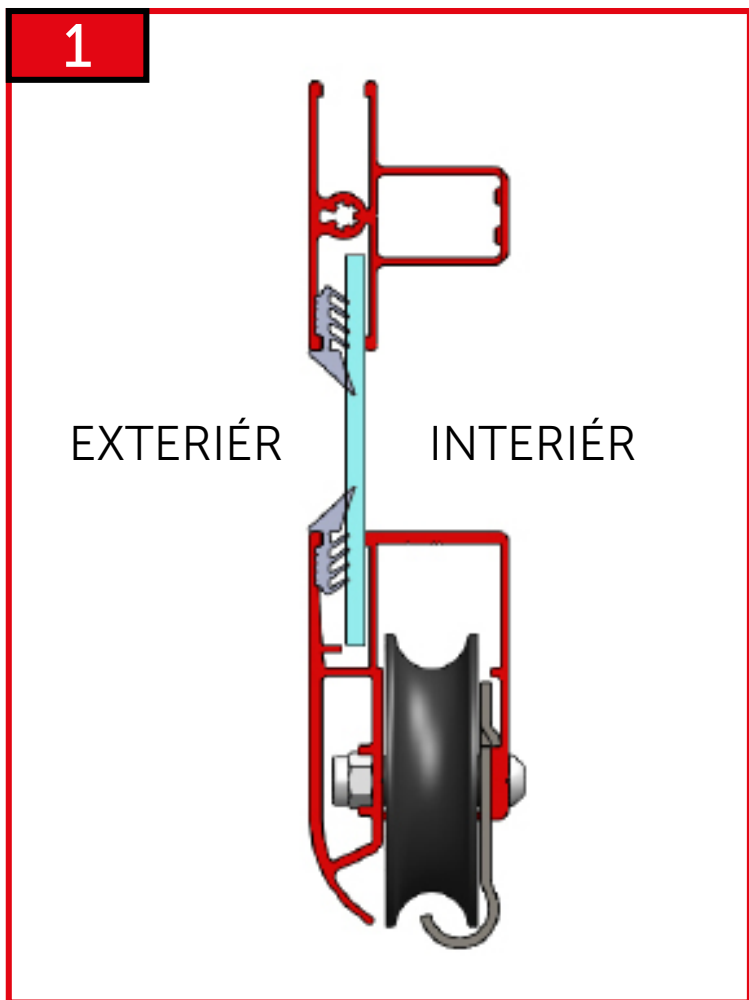
PAGE 42-46

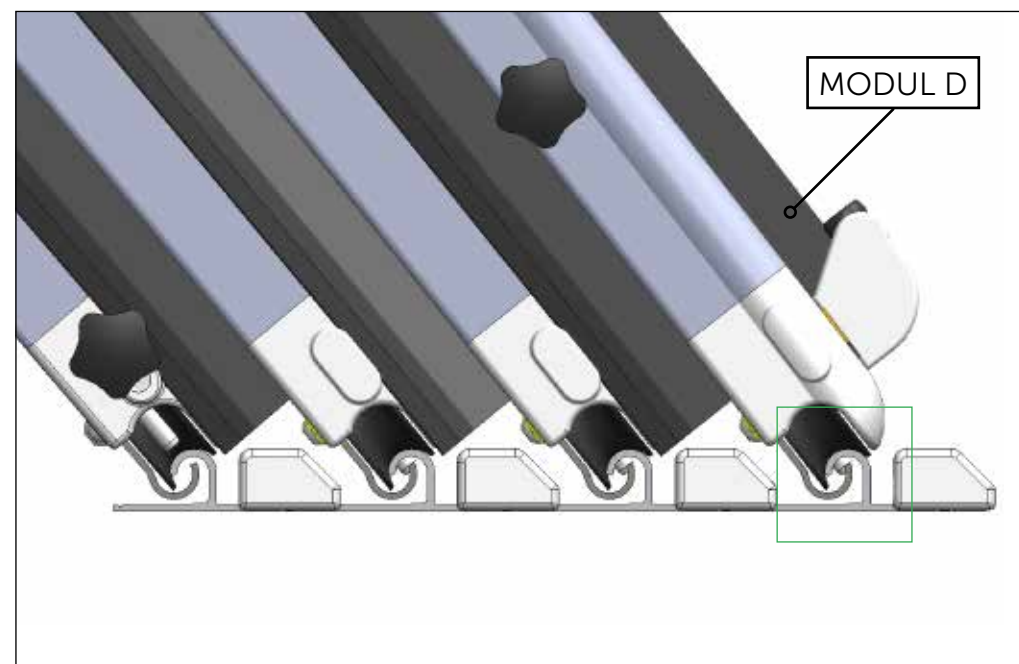
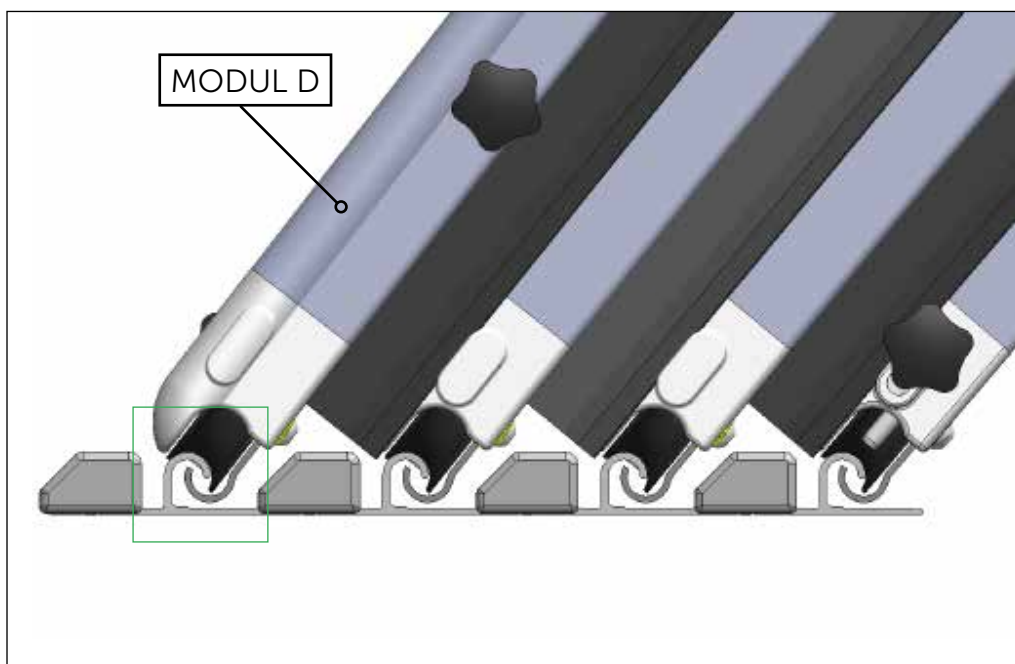
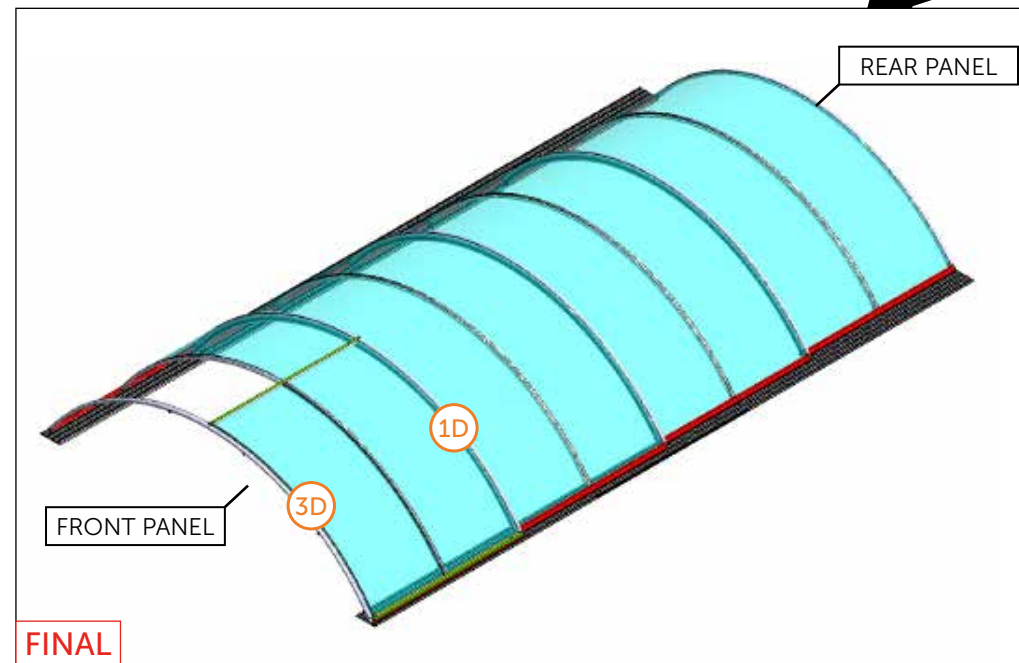
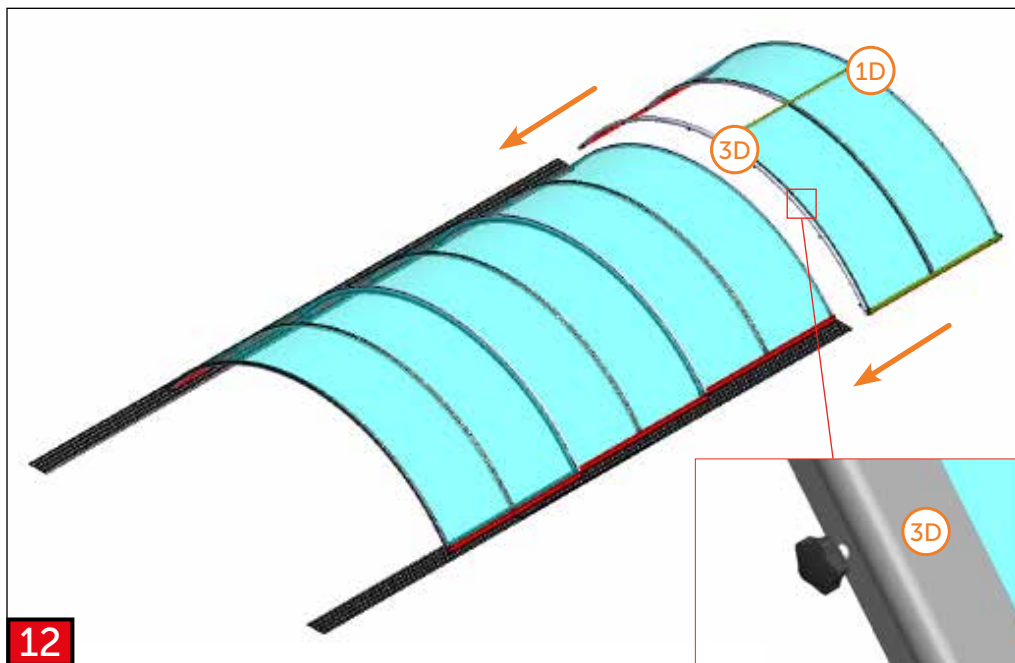


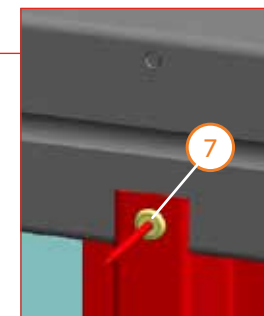
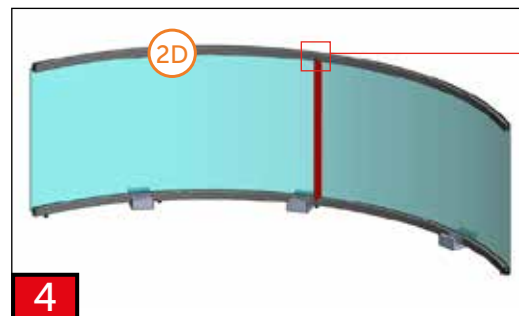
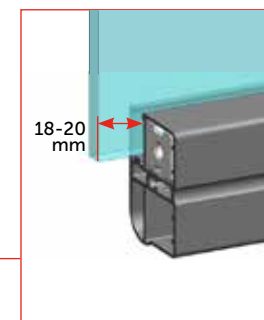
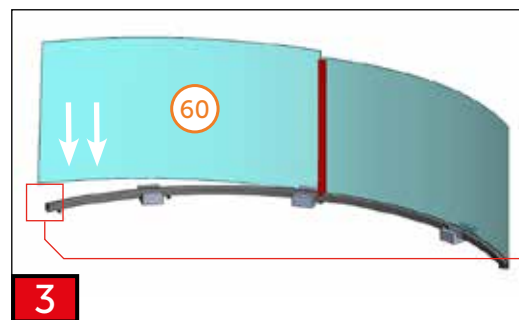
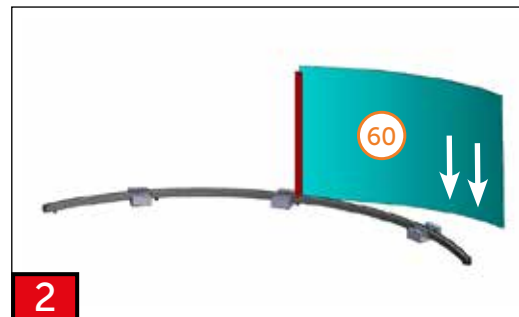
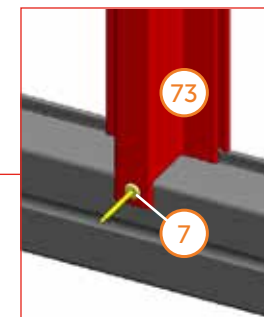
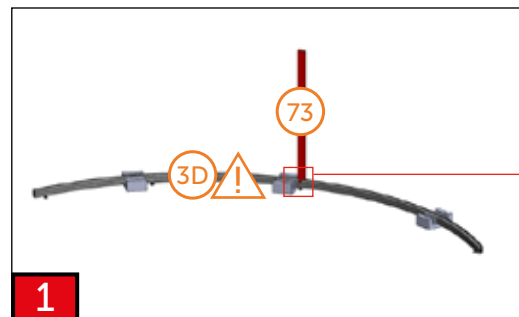
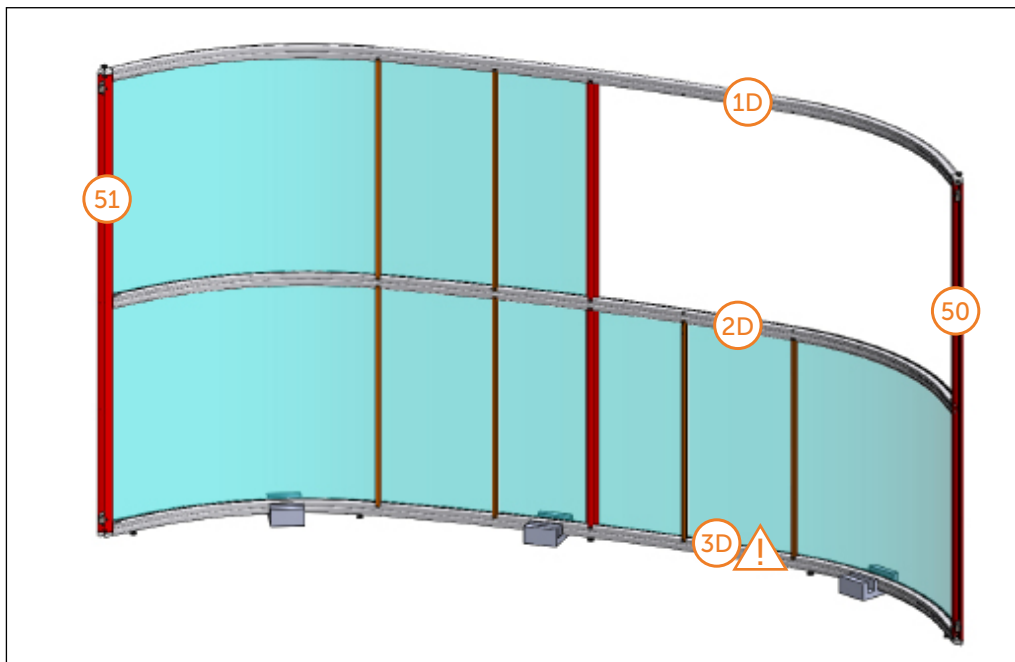


|  |  |  |   |  |
|--|--|--|---|--|
|  <p><b>5</b></p>                     |  <p><b>36</b> <b>36</b> <b>36</b> <b>36</b></p> |  <p><b>7</b></p>   |  <p><b>9</b></p>       |  <p><b>9a</b> <b>50</b> <b>9b</b> <b>9c</b></p> |
|  <p><b>6</b></p>                    |  <p><b>7</b></p>                               |  <p><b>13</b> <b>3</b></p> <p><b>9a</b> <math>M_{max.} = 25 \text{ Nm}</math></p>   |  <p><b>FINAL</b></p>   |  |
|  <p><b>60</b></p> <p><b>7</b></p>  |  <p><b>7</b></p>                              |  <p><b>3</b> <b>13</b></p> <p><b>9b</b> <math>M_{max.} = 25 \text{ Nm}</math></p>  |  <p><b>FINAL</b></p>  |  |
|  <p><b>3D</b></p> <p><b>8</b></p> |  <p><b>7</b></p>                             |  <p><b>3</b> <b>13</b></p> <p><b>9c</b> <math>M_{max.} = 25 \text{ Nm}</math></p> |  <p><b>FINAL</b></p> |  |

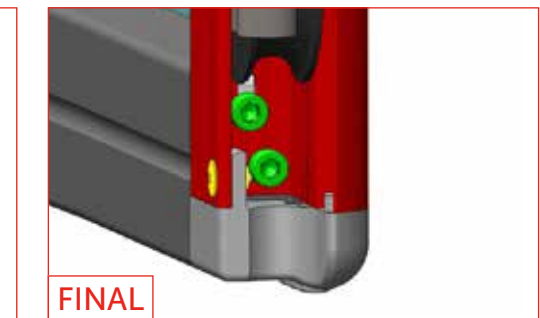
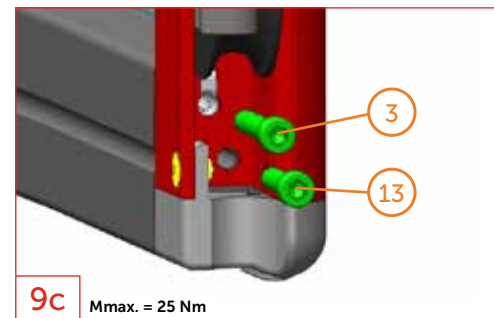
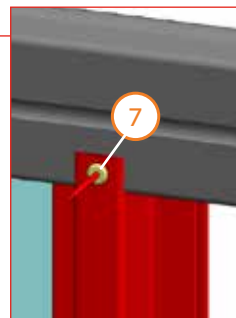
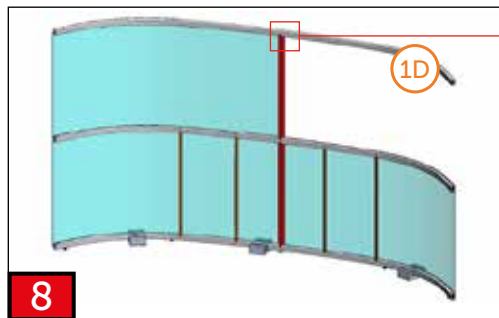
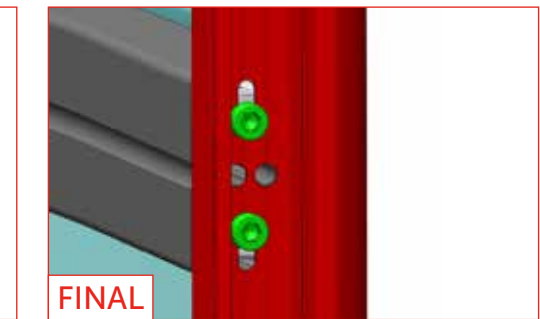
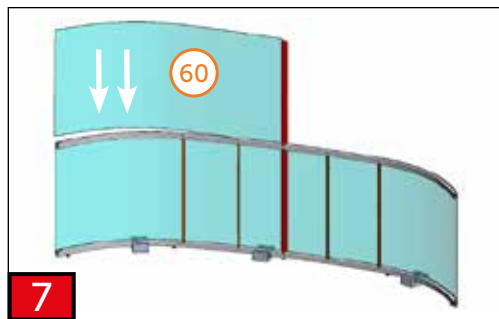
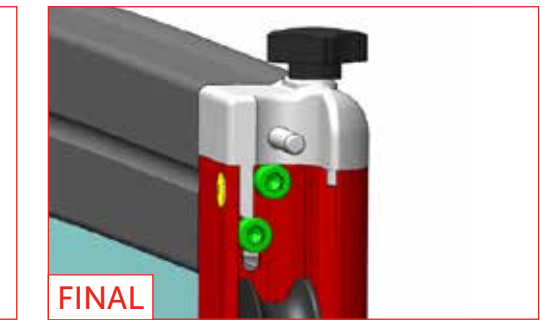
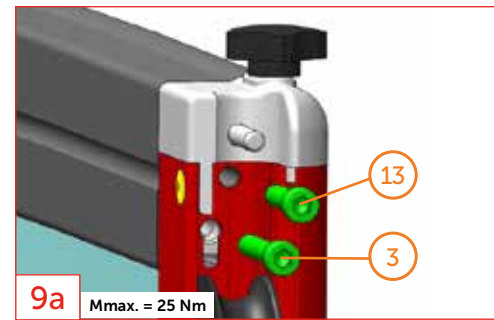
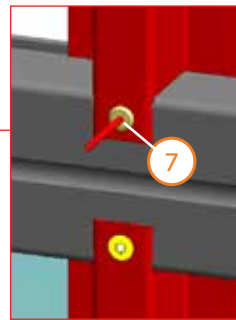
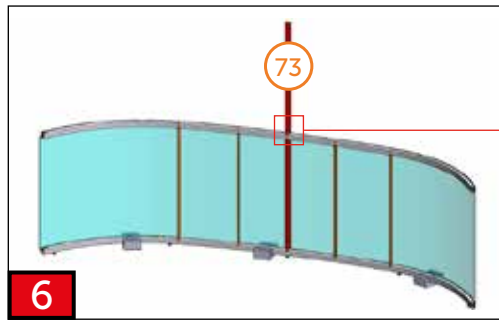
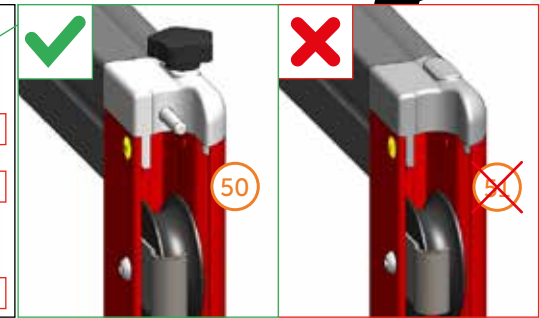
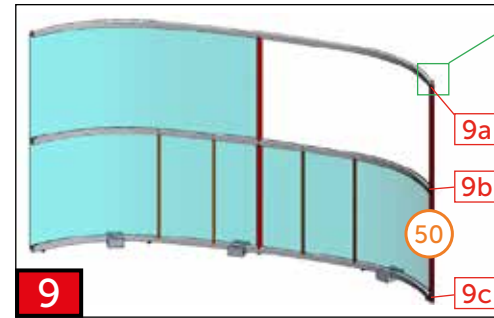
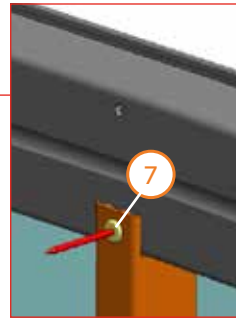
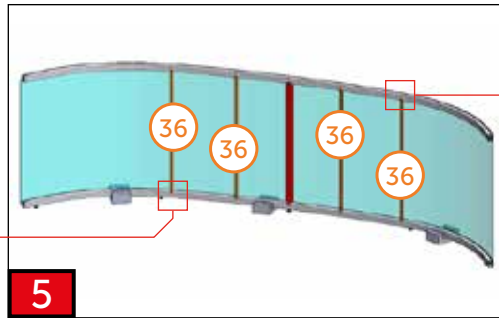
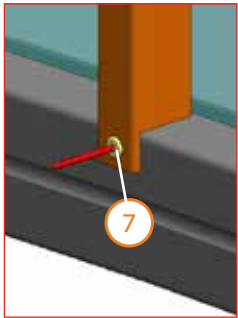


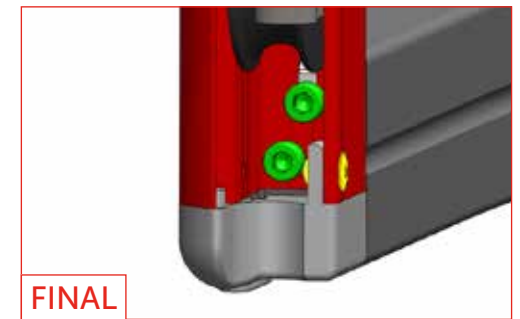
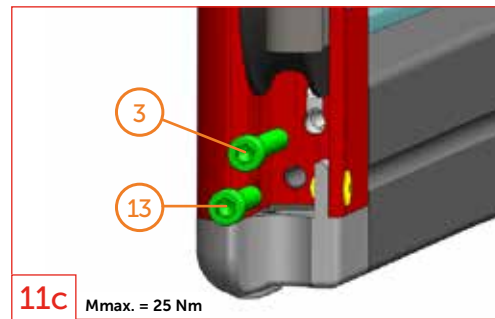
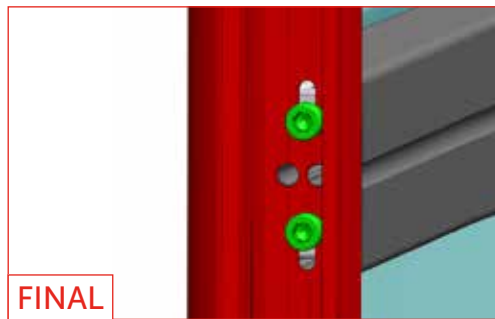
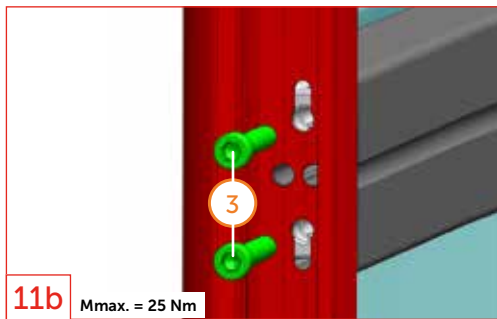
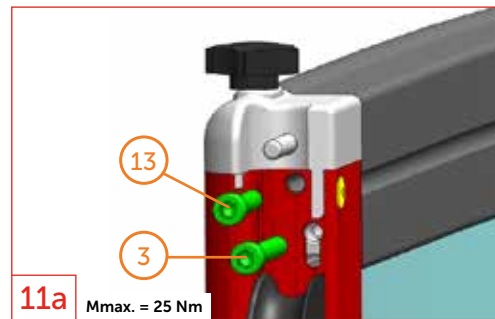
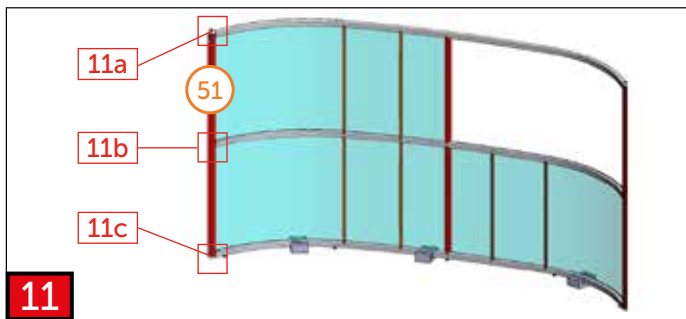
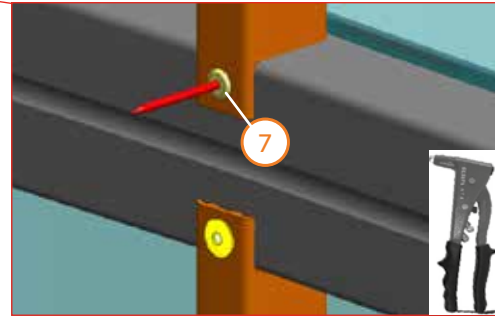
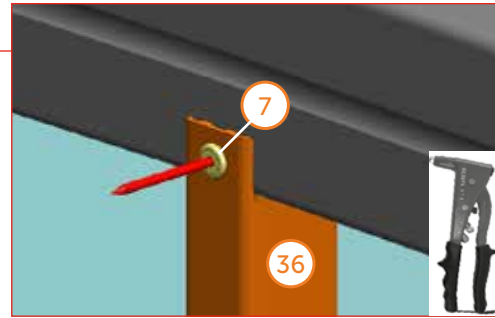
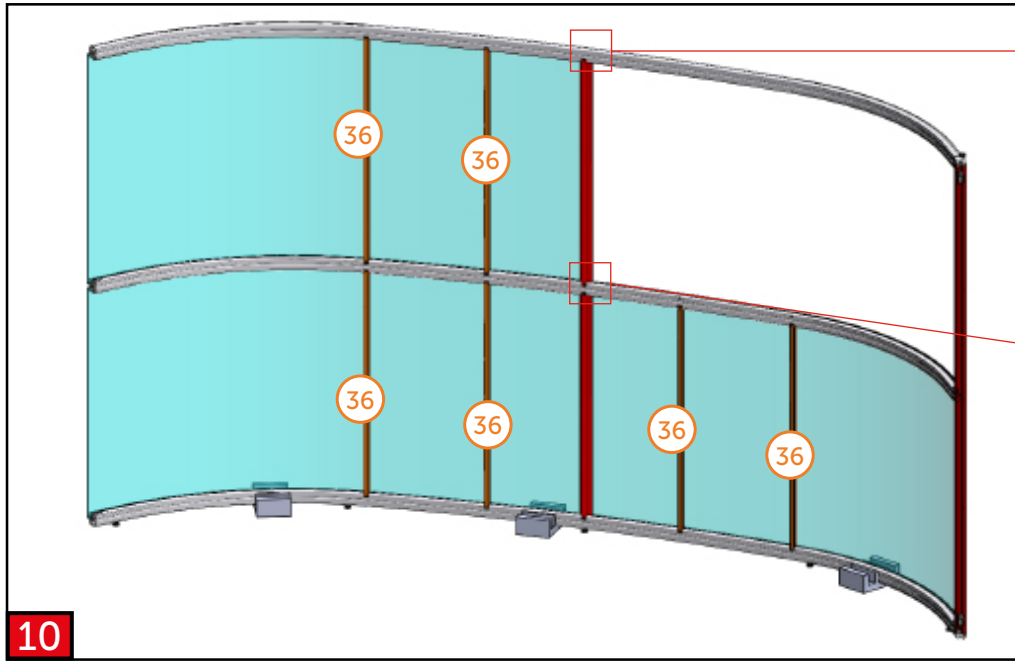


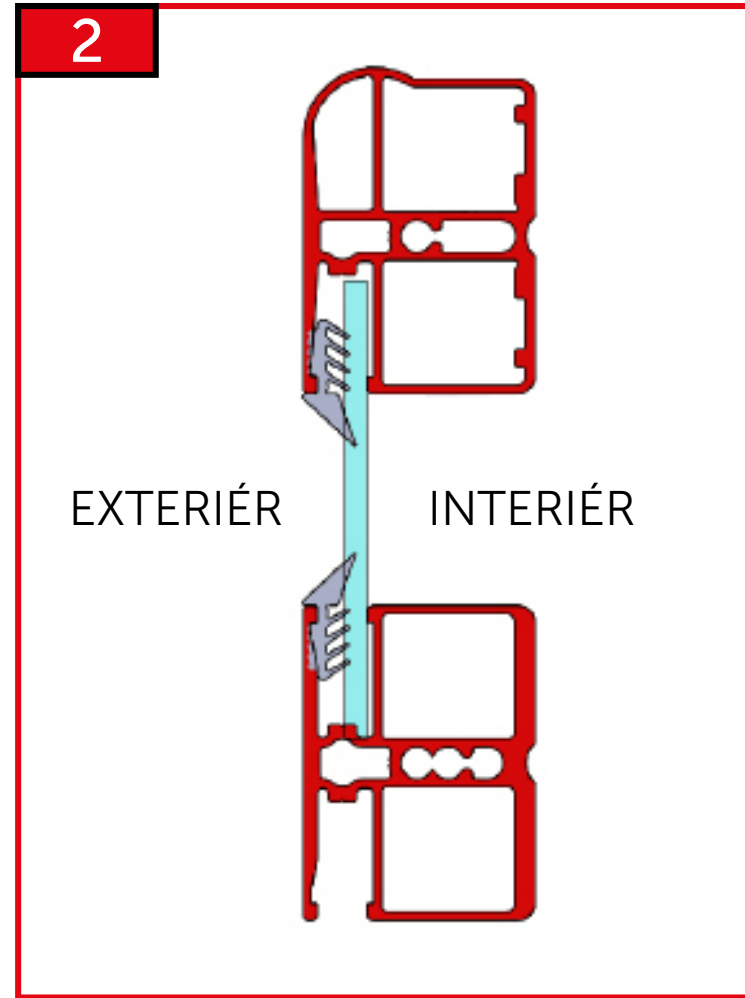
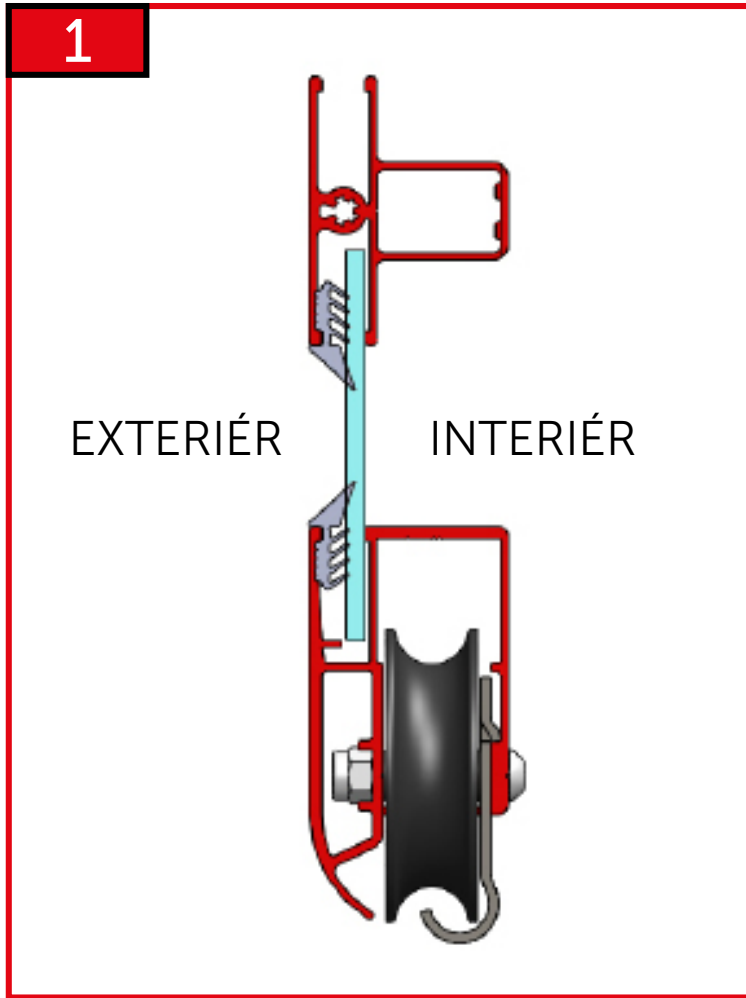


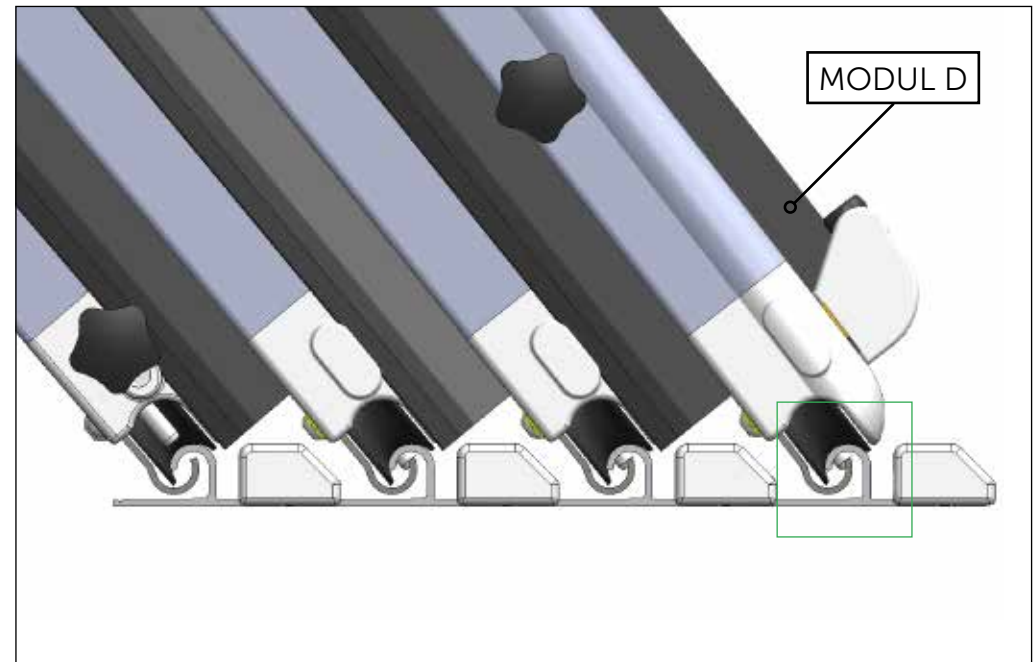
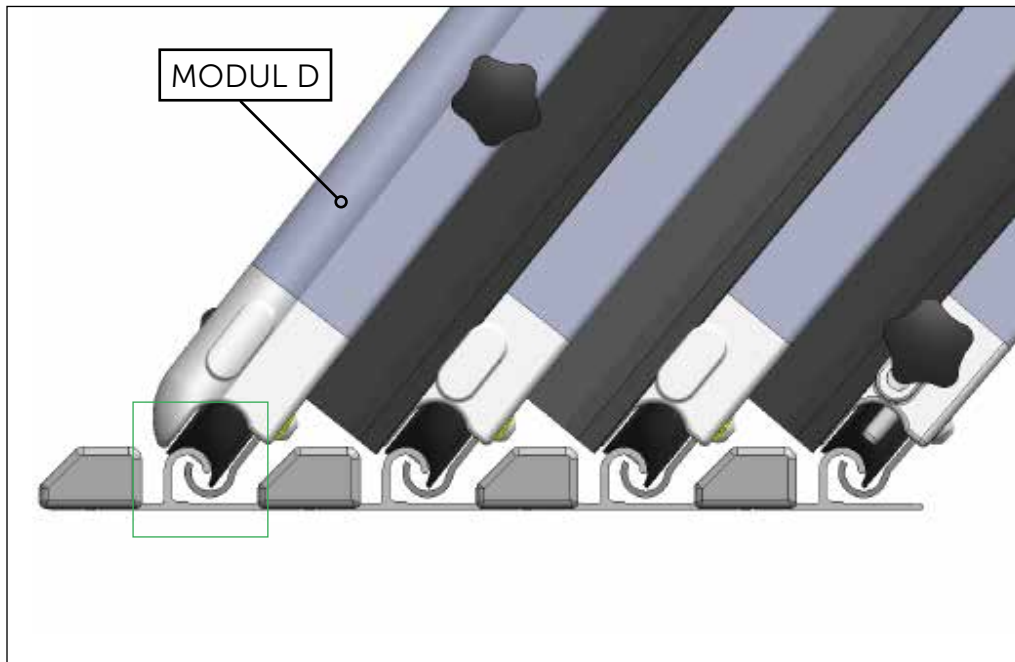
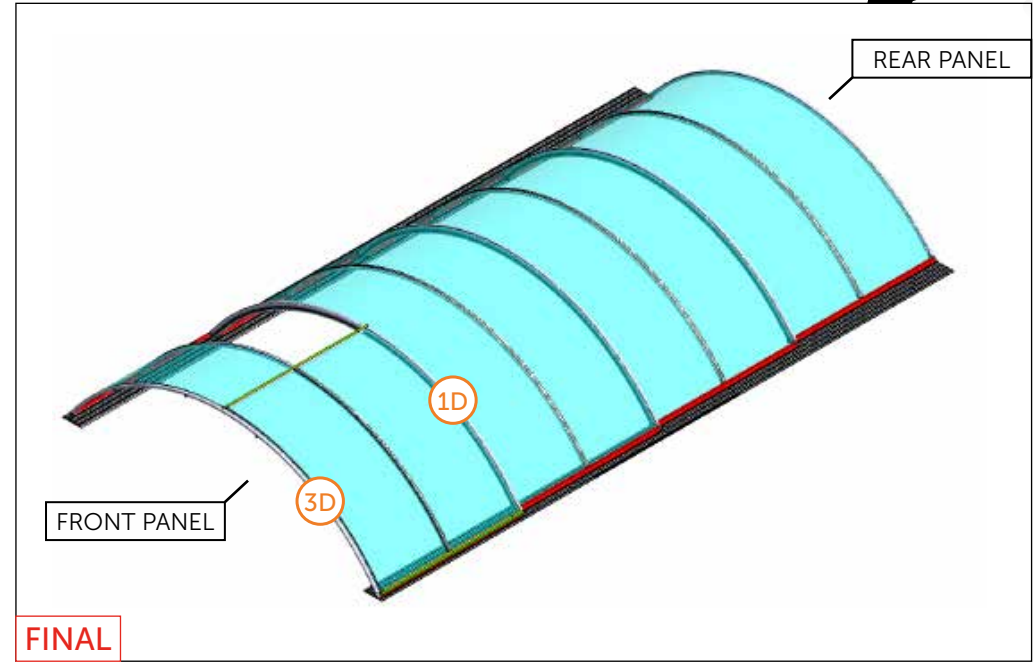
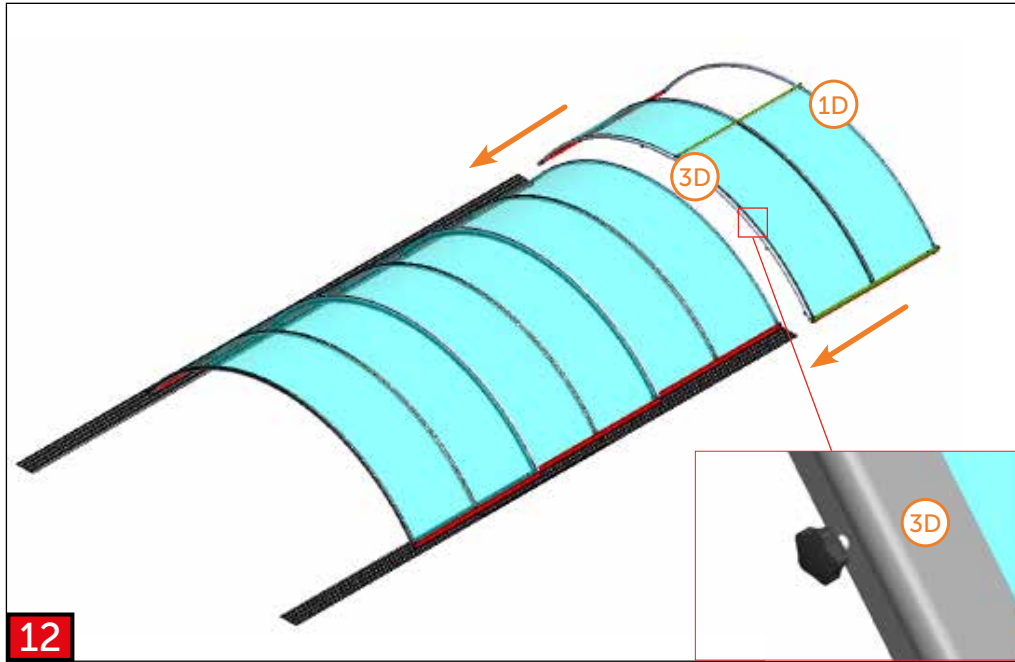


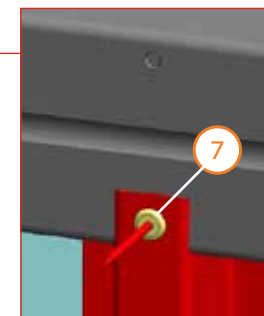
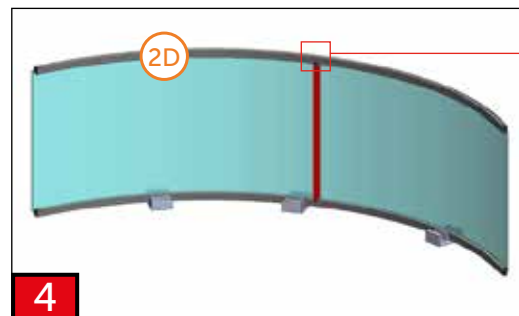
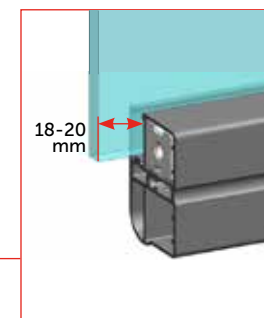
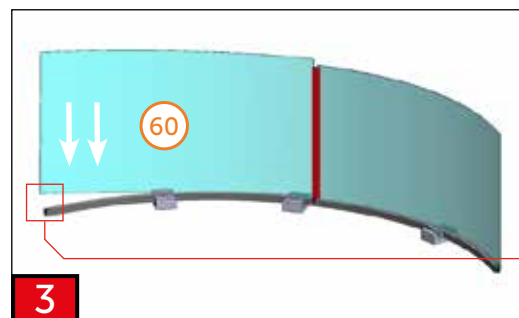
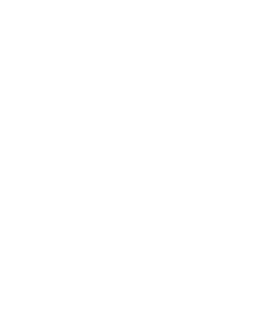
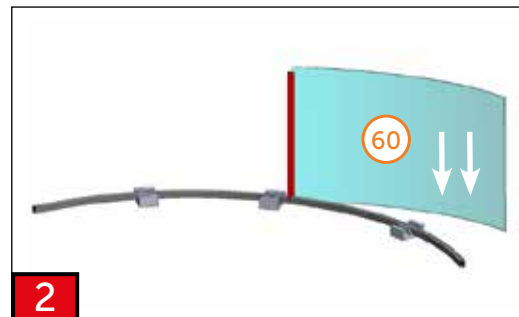
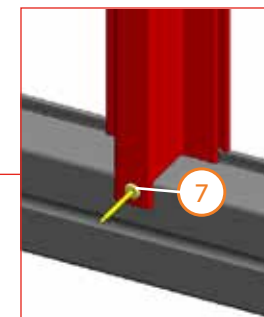
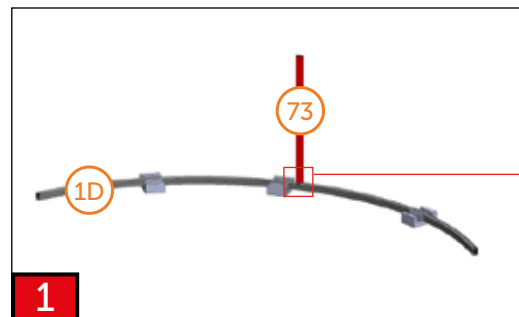
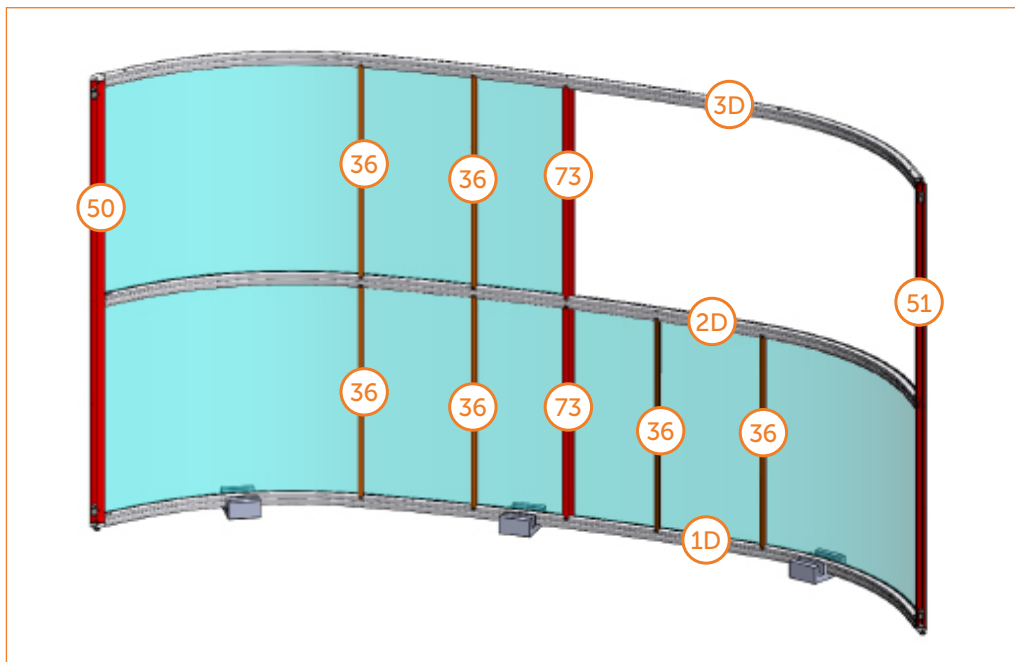




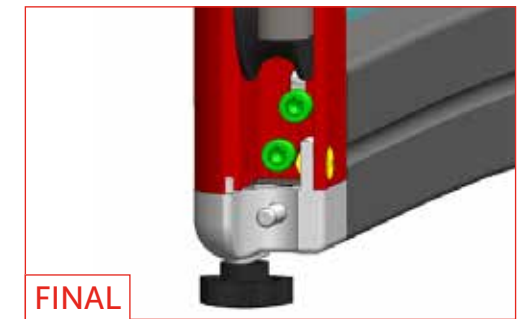
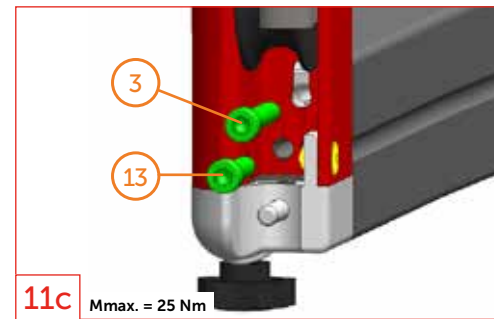
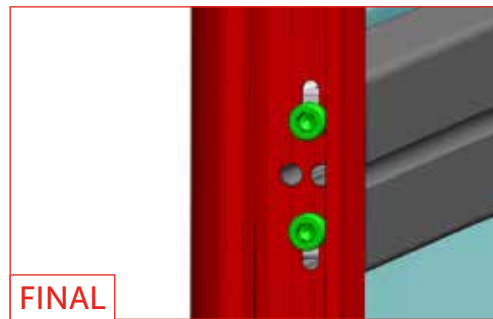
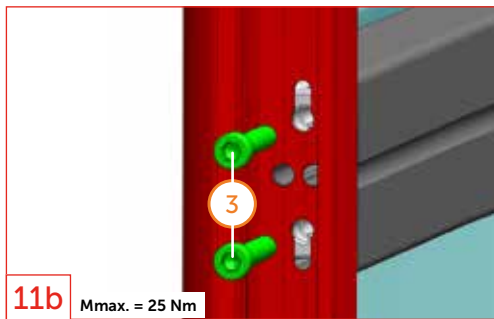
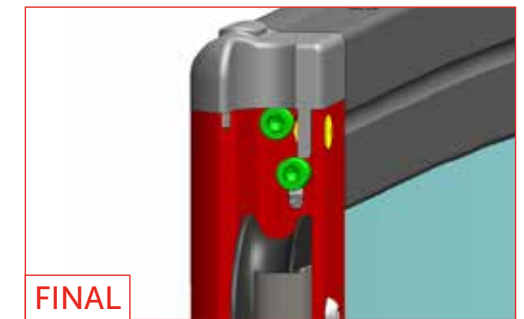
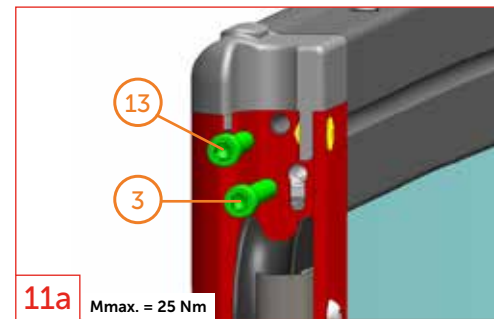
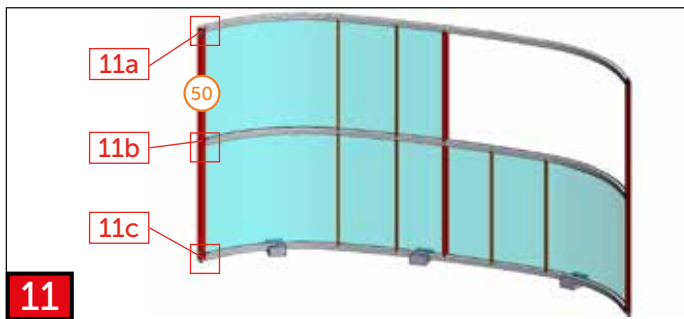
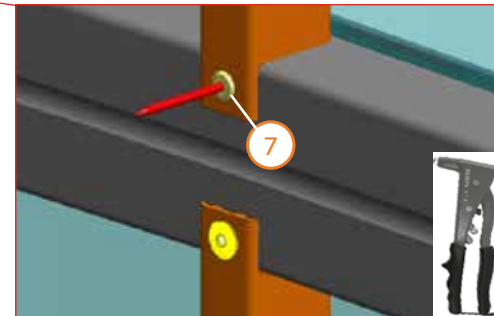
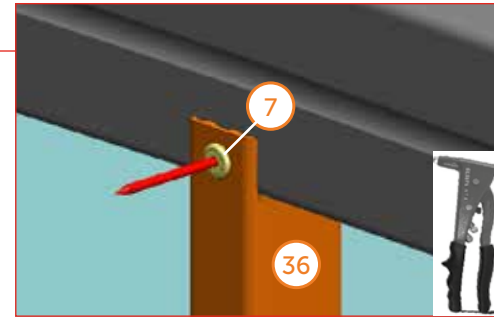
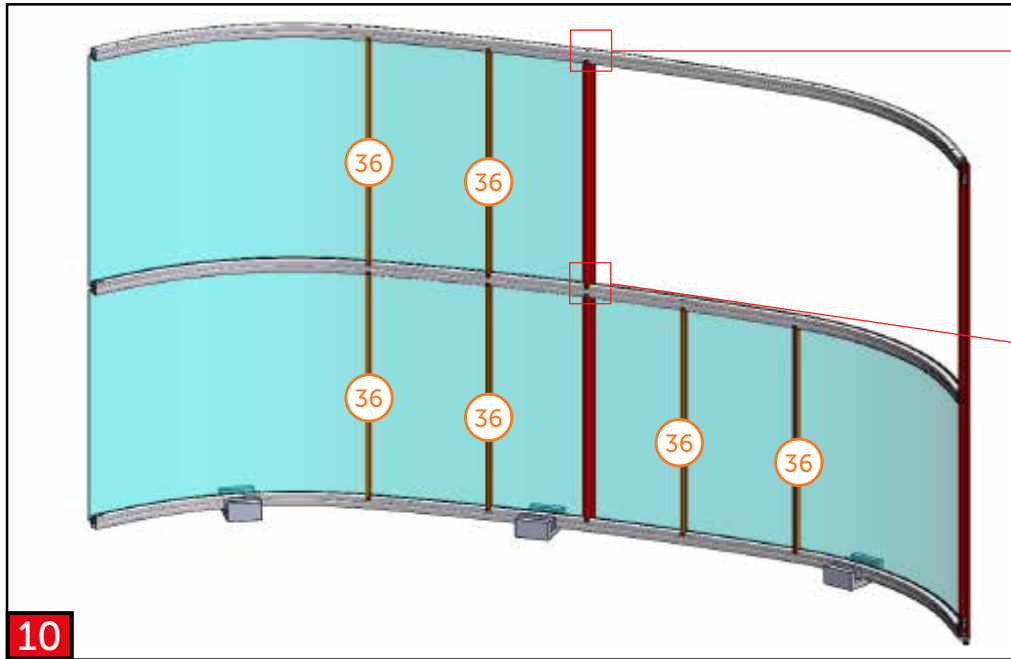








|                 |                          |                                  |                    |  |  |
|-----------------|--------------------------|----------------------------------|--------------------|--|--|
| <p>36<br/>7</p> | <p>36 36 36 36<br/>7</p> | <p>7</p>                         | <p>51 9a 9b 9c</p> |  |  |
| <p>73</p>       | <p>7</p>                 | <p>13 3<br/>9a Mmax. = 25 Nm</p> | <p>FINAL</p>       |  |  |
| <p>60</p>       | <p>7</p>                 | <p>3<br/>9b Mmax. = 25 Nm</p>    | <p>FINAL</p>       |  |  |
| <p>3D</p>       | <p>7</p>                 | <p>3 13<br/>9c Mmax. = 25 Nm</p> | <p>FINAL</p>       |  |  |

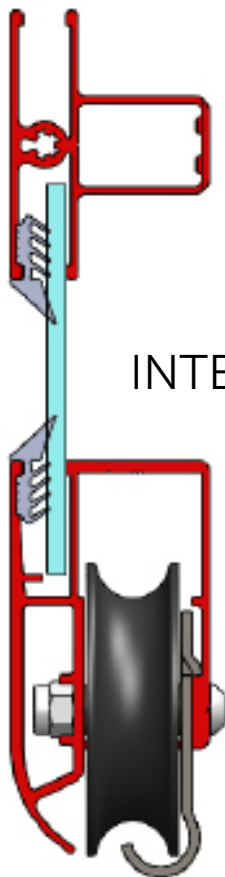




1

EXTERIÉR

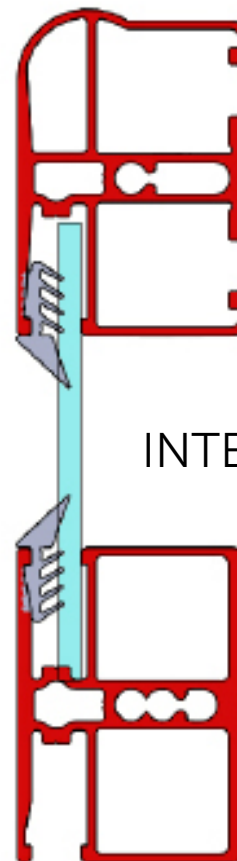
INTERIÉR



2

EXTERIÉR

INTERIÉR



3



EXTERIOR



4



5



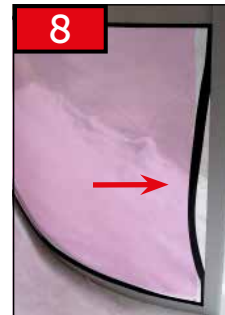
6



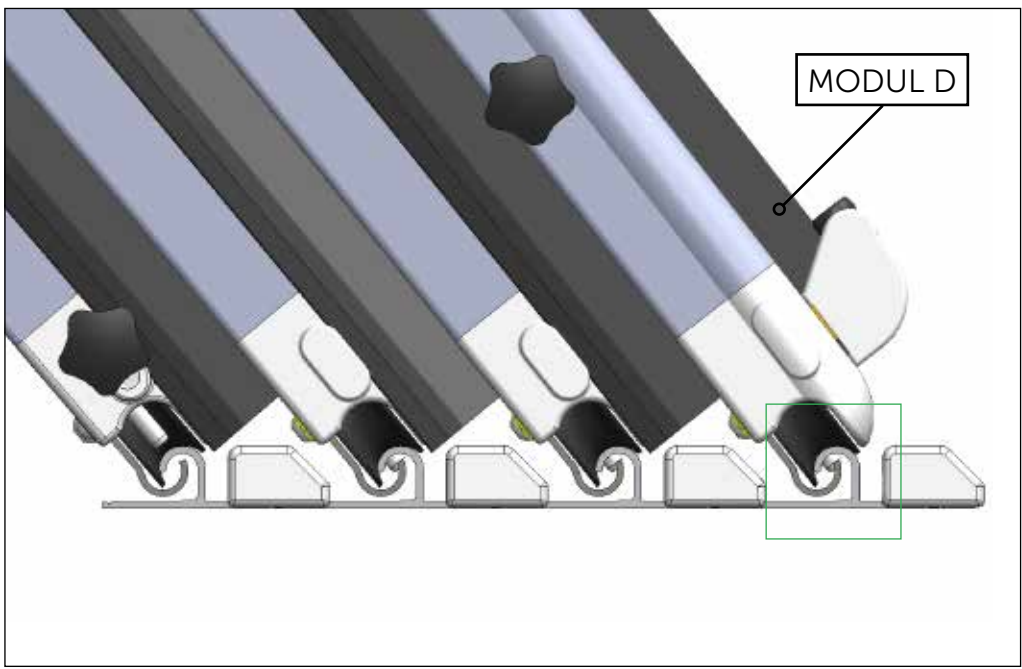
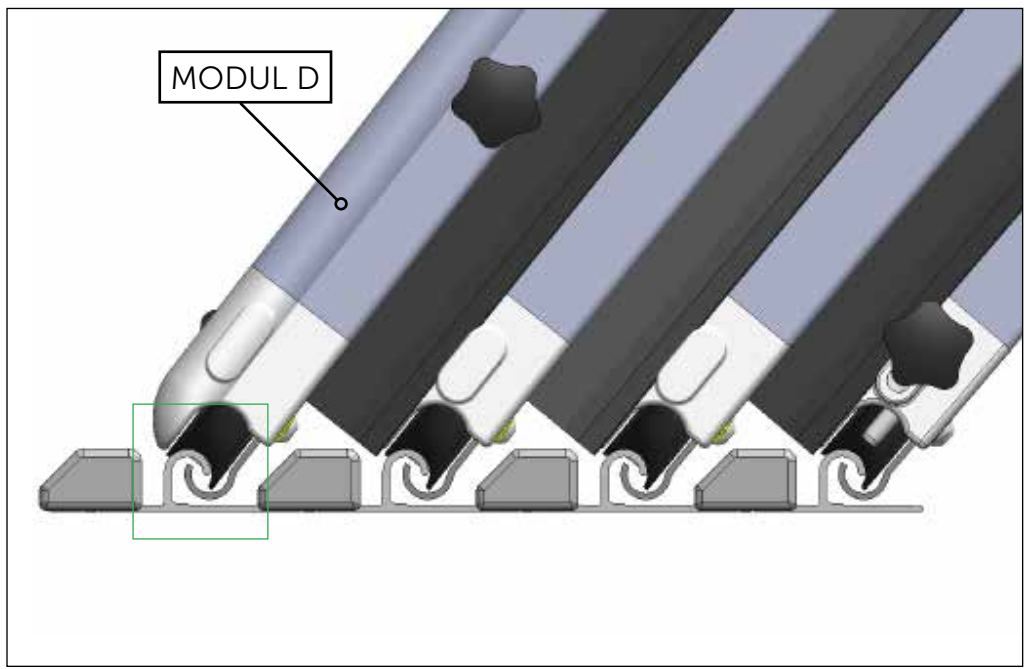
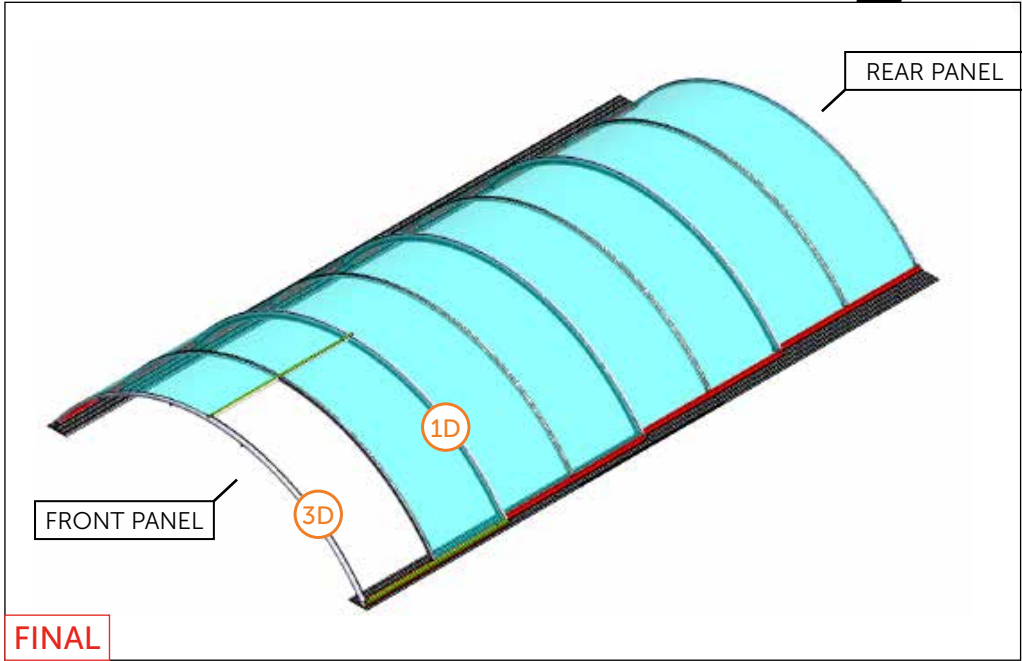
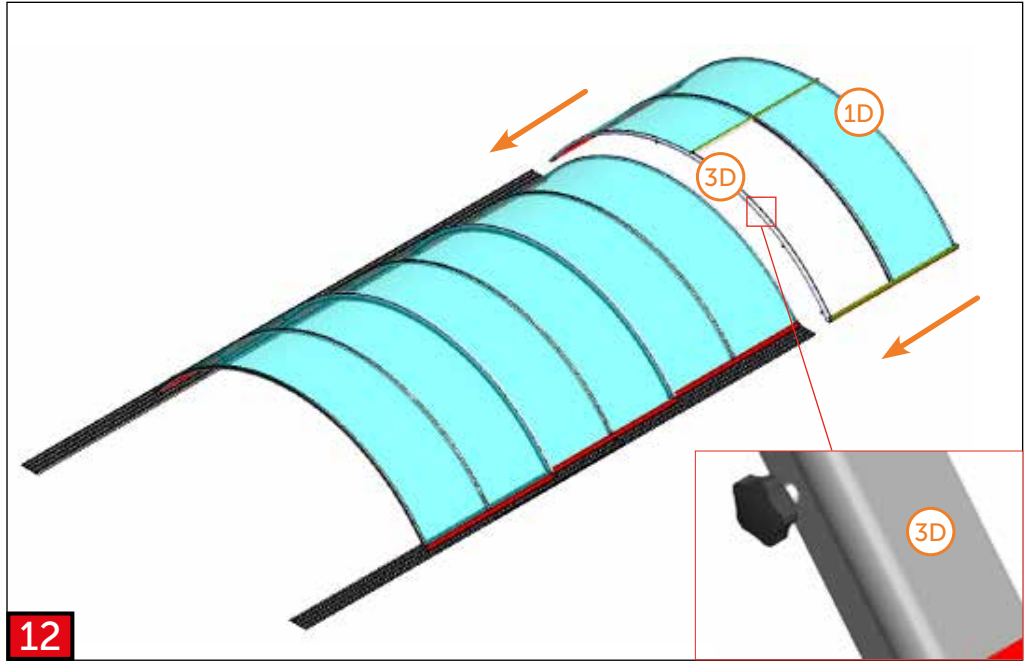
7

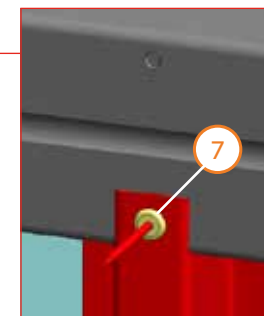
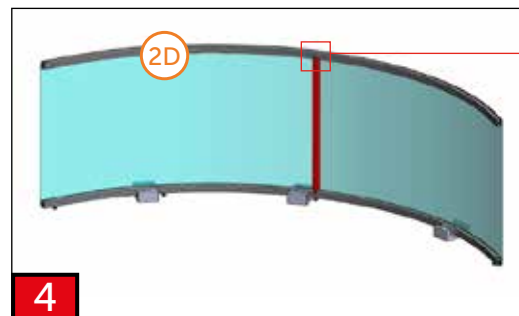
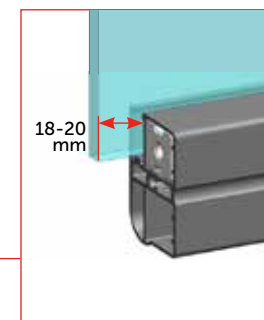
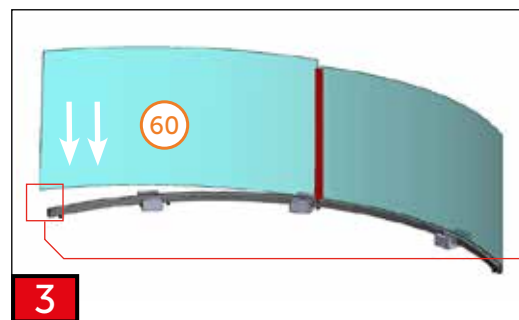
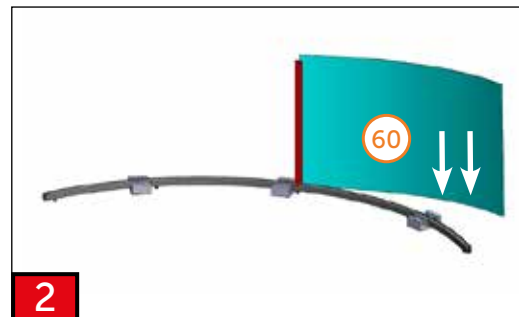
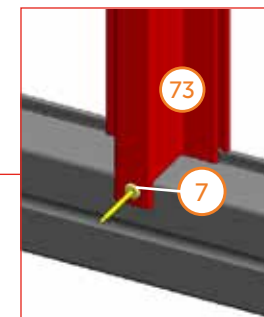
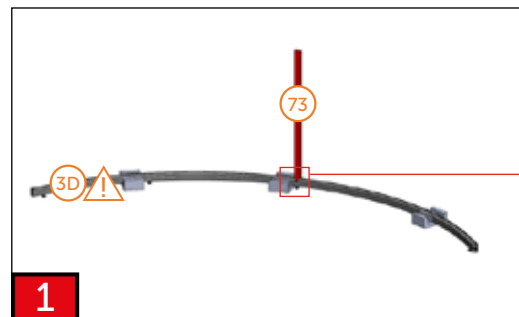
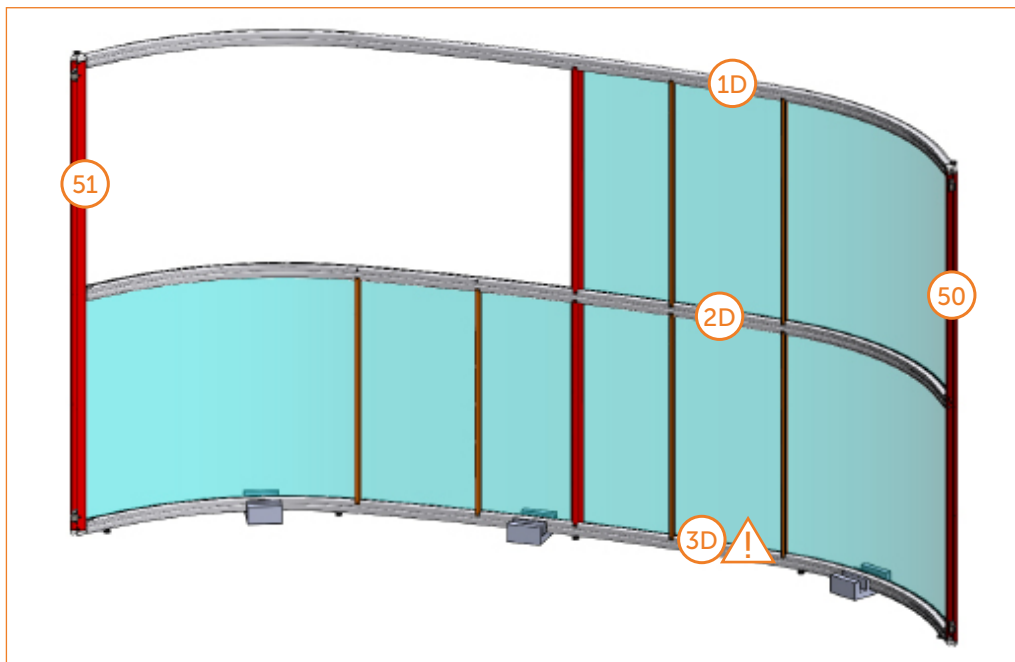


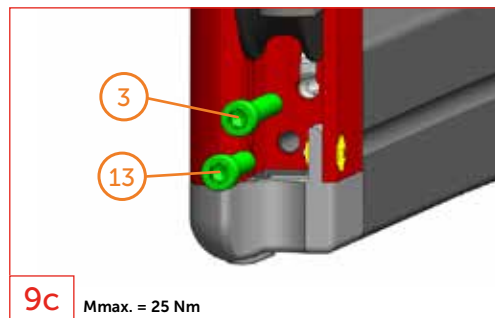
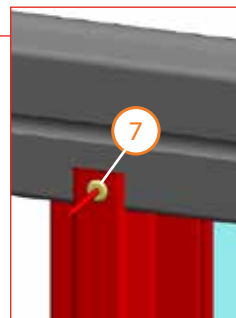
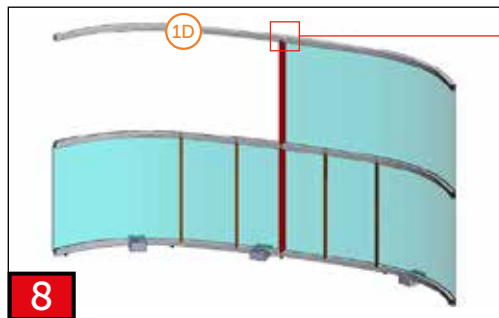
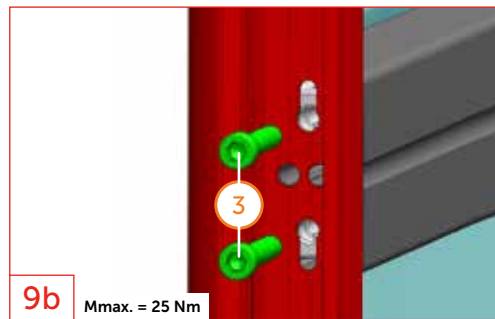
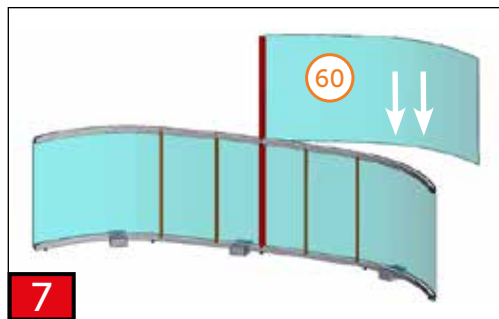
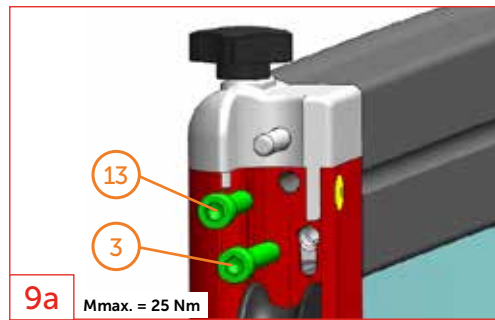
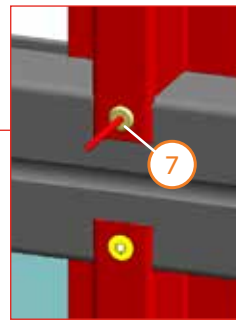
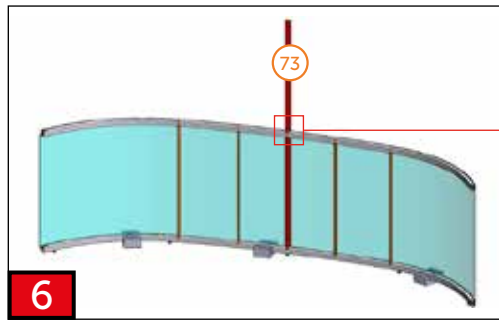
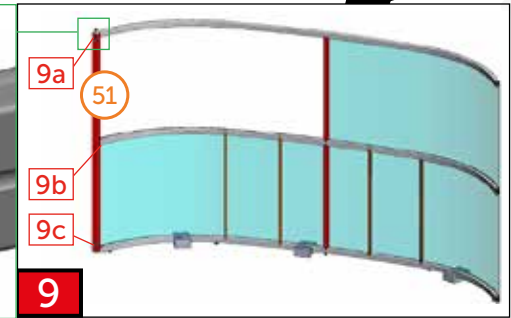
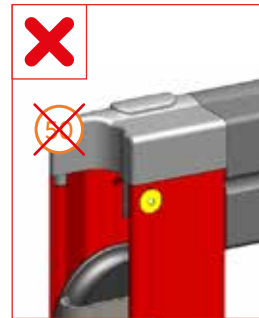
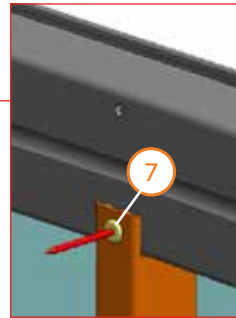
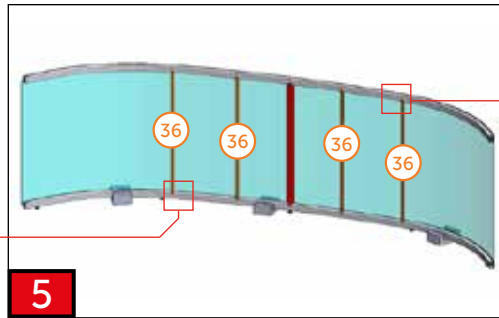
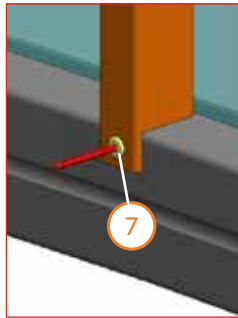
8

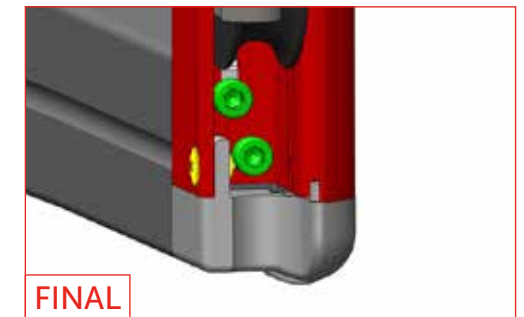
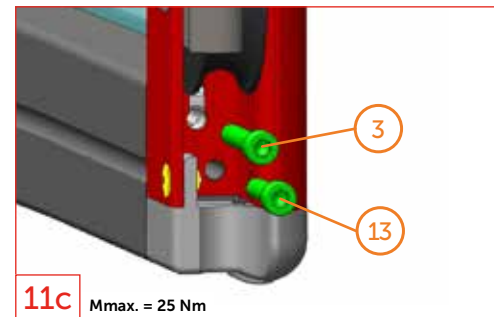
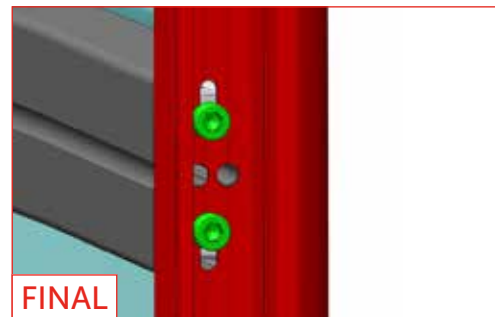
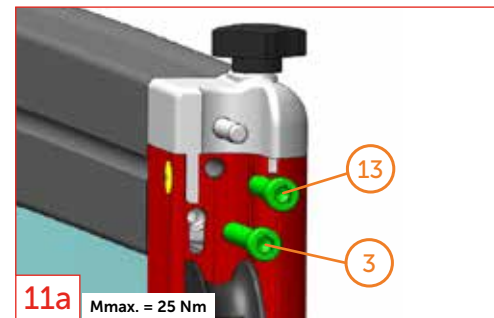
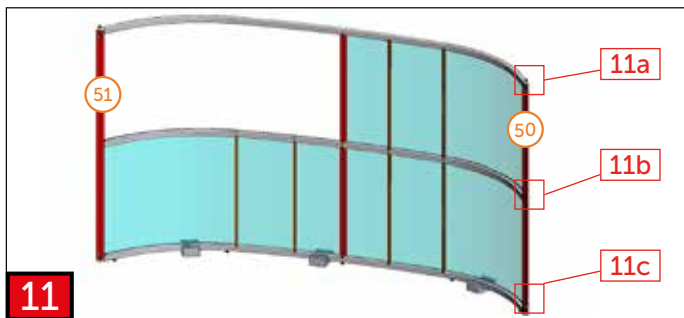
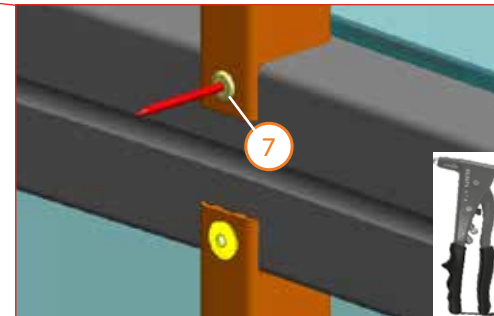
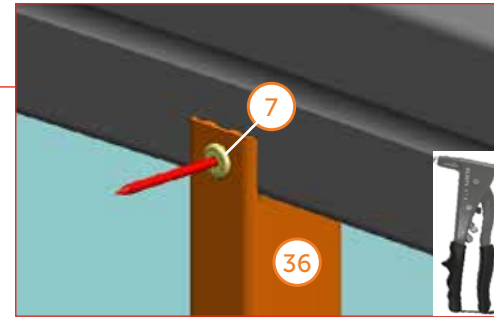
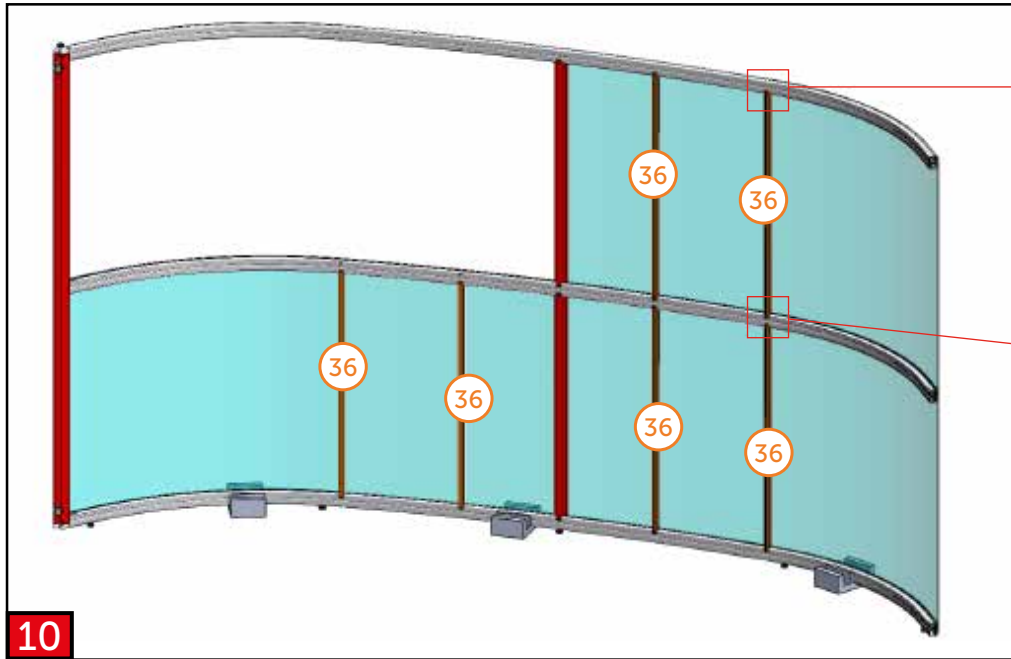


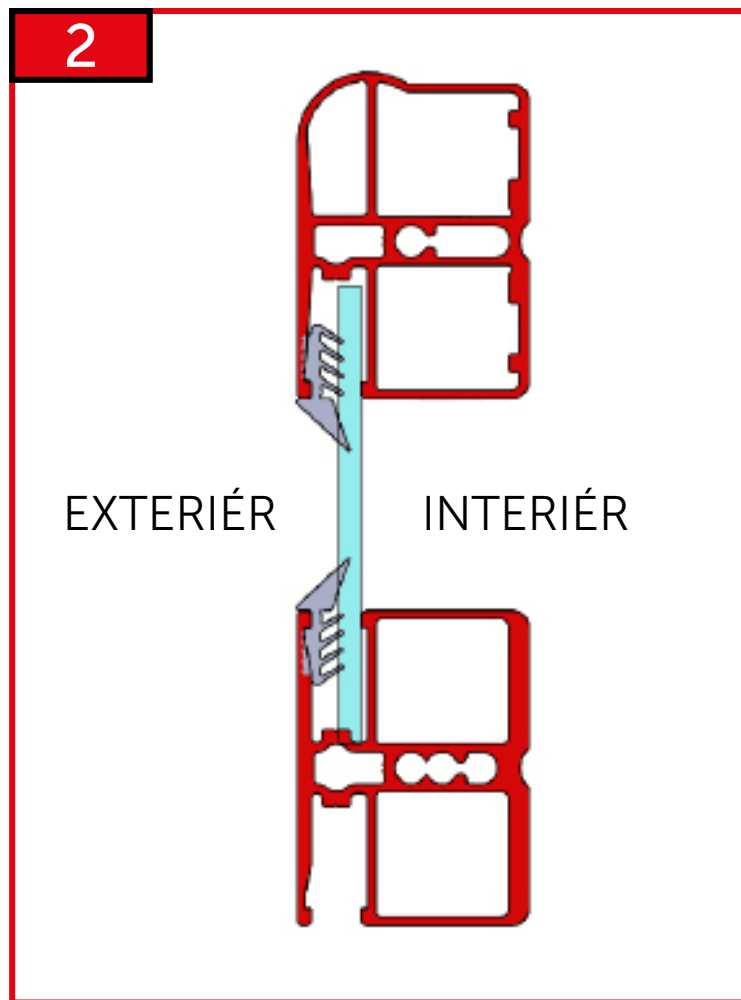
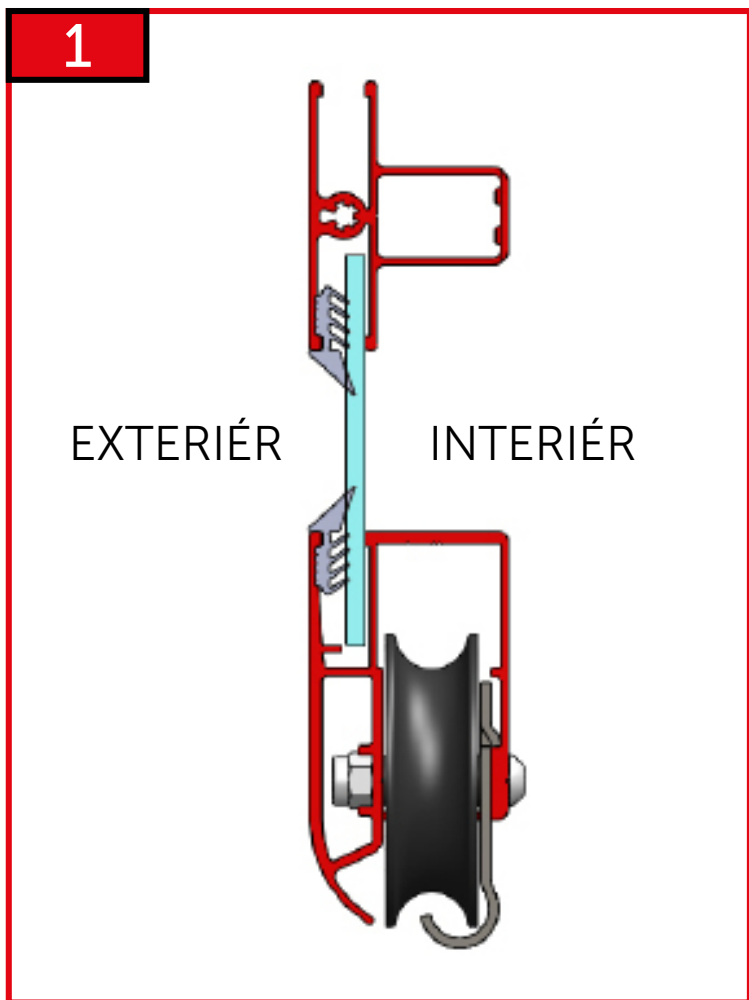


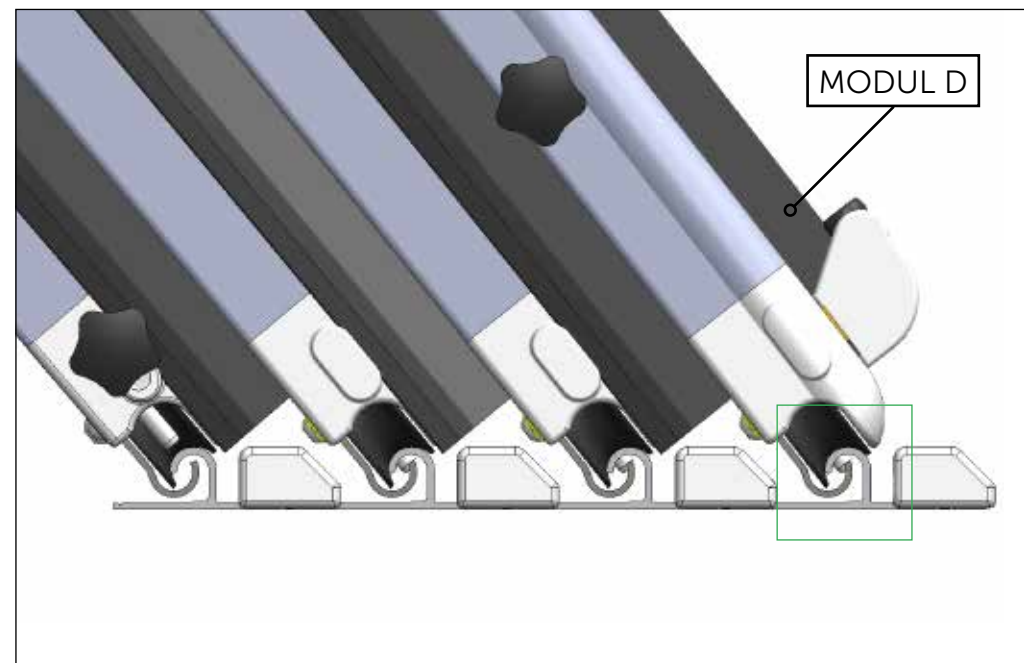
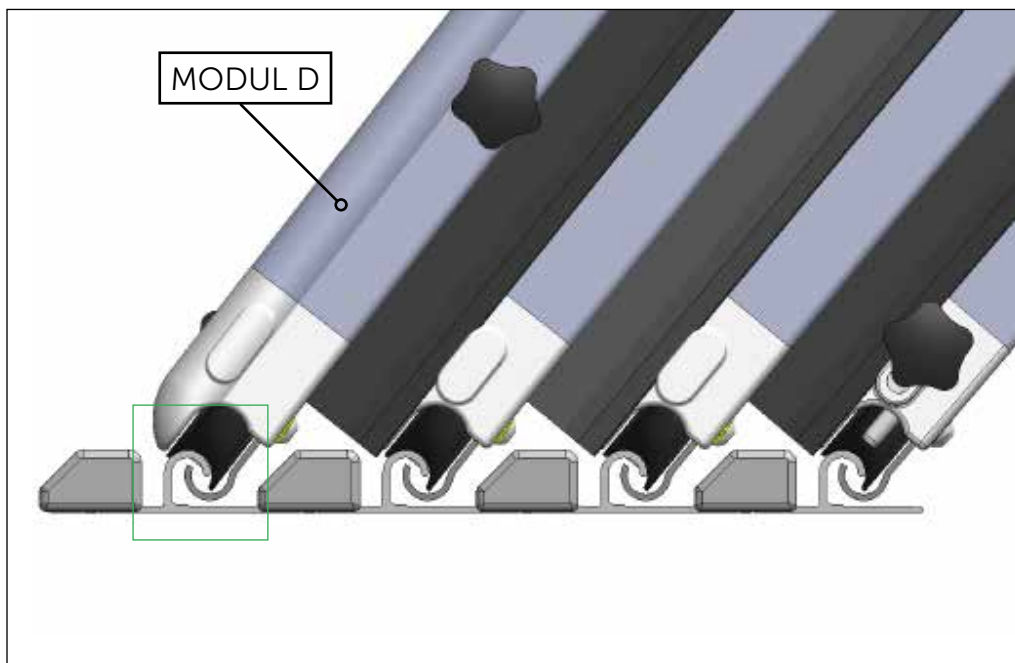
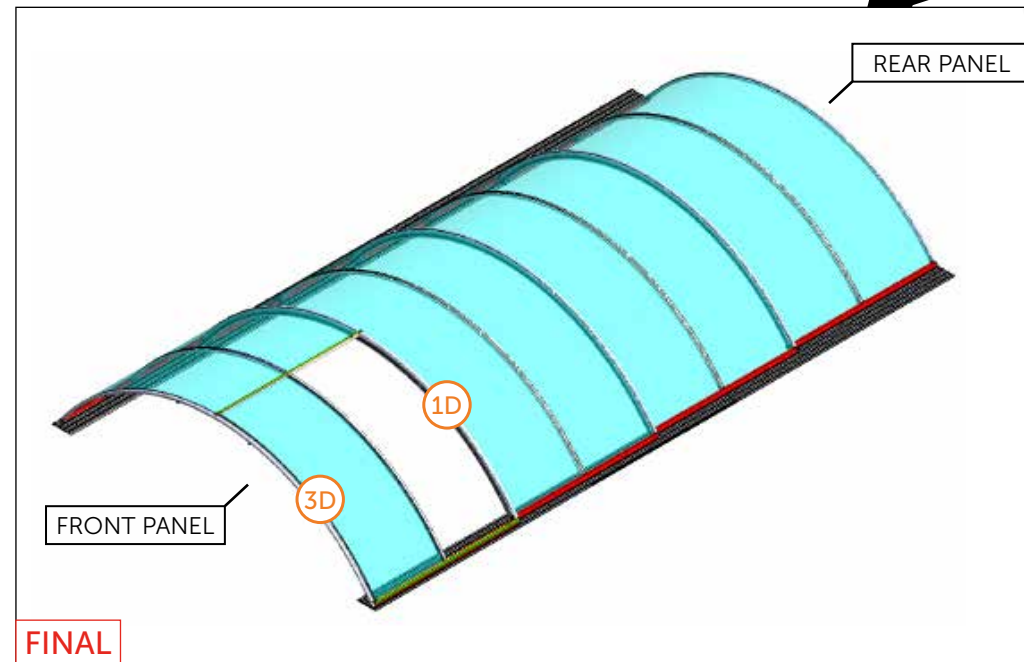
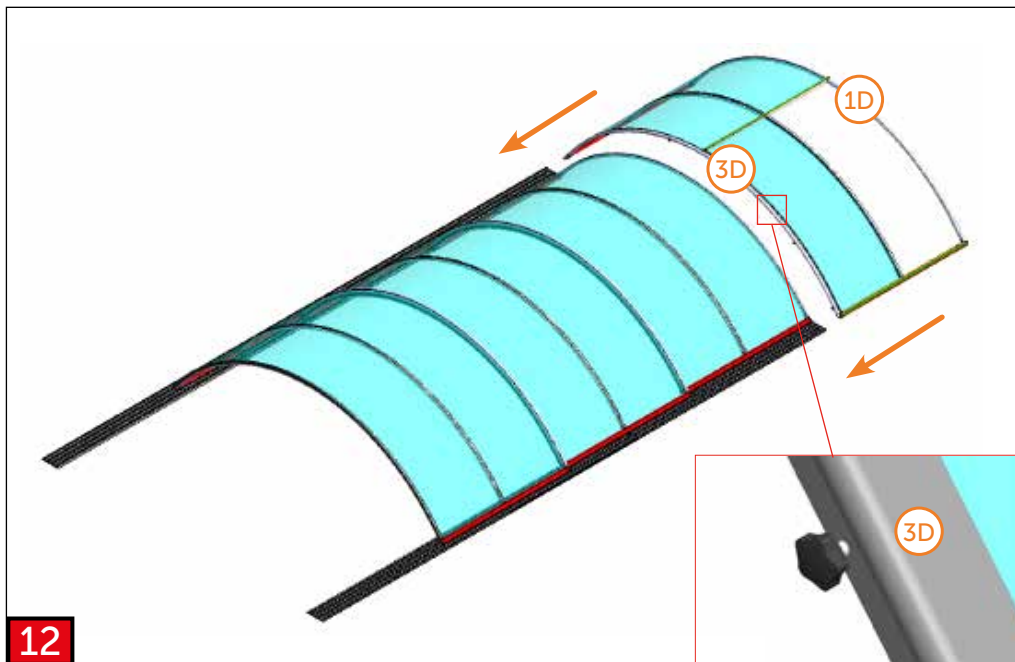












ZZ01-15-SB003D

1x

69

ZZ01-15-SB002D

1x

70

INTERIOR PKB

INTERIOR CLEAR

1SP11-01-029

AN 9051

6,3 x 50

4x

3

1SP07-01-001

ø4 x 10

4x

7

1SP11-01-027

AN 9051

6,3 x 38

4x

13

1NA03-01-050

17

ZZ04-01-SD001D

1041 mm

2x

36

EXTERIOR PKB

EXTERIOR CLEAR

UV

ZZ02-02-SR009D

2x

74

UV

OUT

MODUL

1KR01-08-005A

2570 x 1049 mm

1x

61

1SZ12-02-006

KEY

2x

6,3 x 38

2x

1x

75

1SP11-01-024

AN 9051

6,3 x 19

10x

77

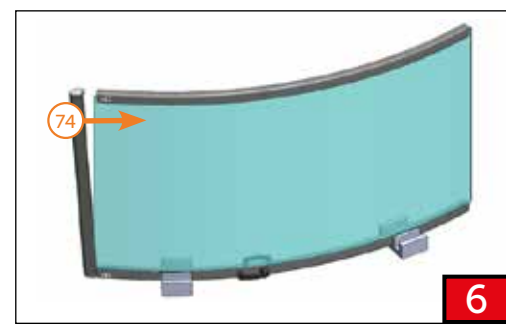
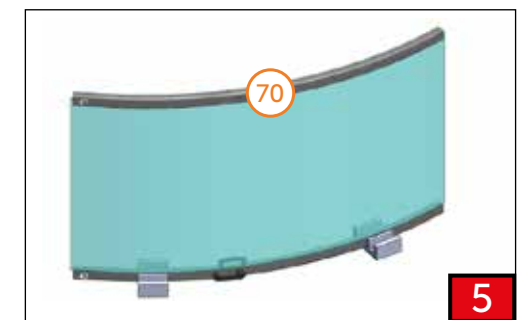
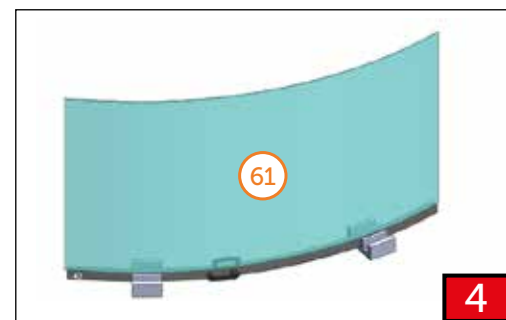
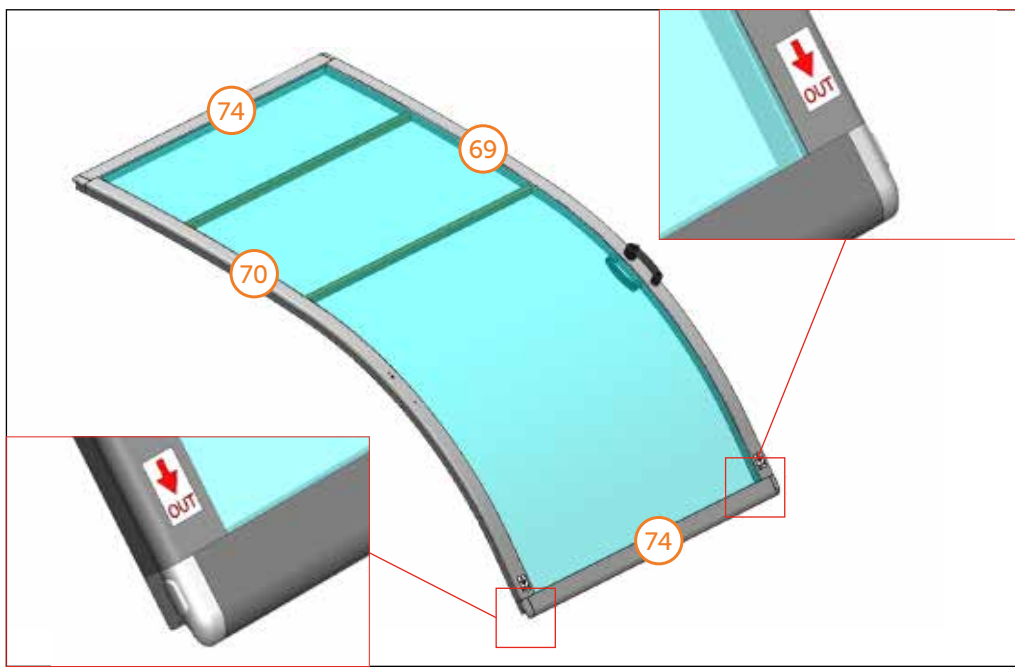
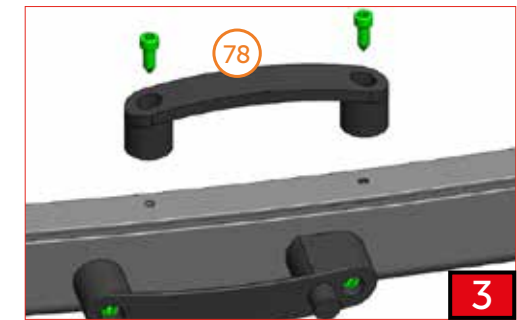
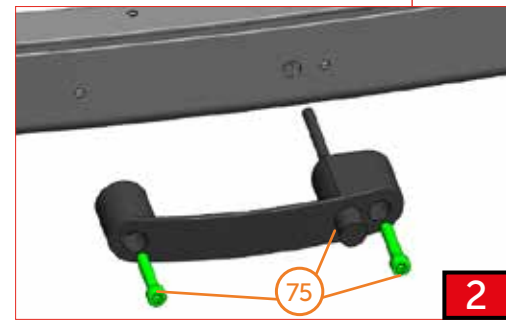
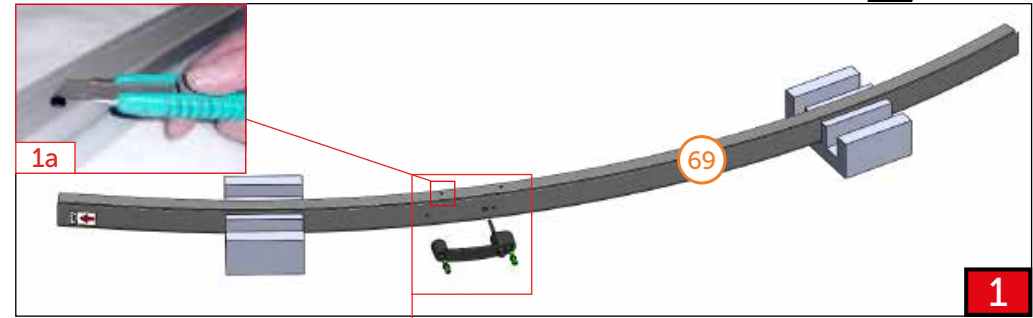
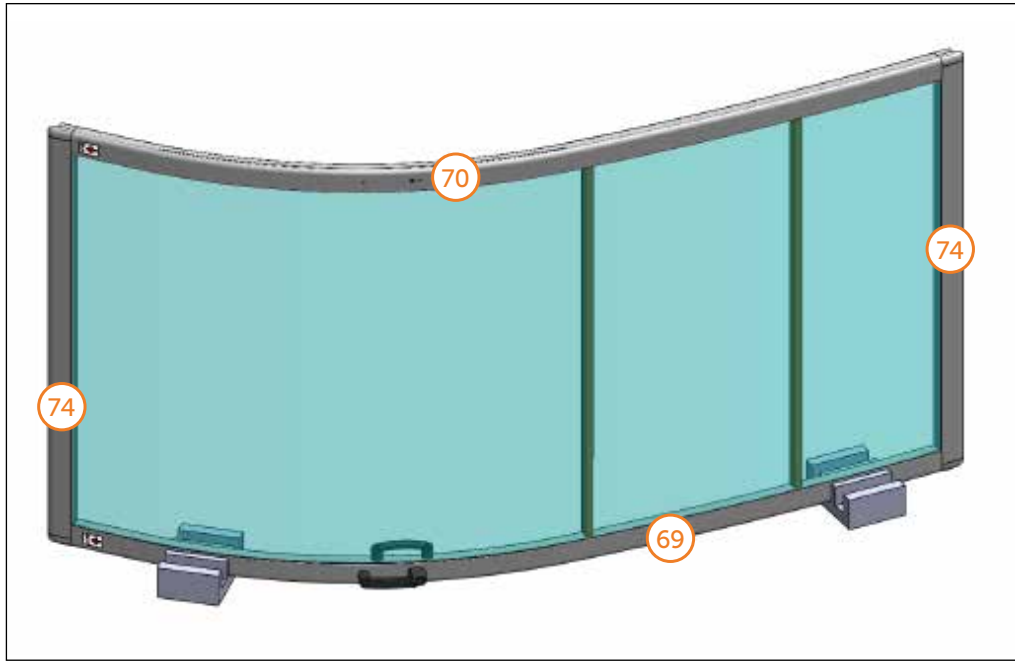
1SZ12-02-001

2x

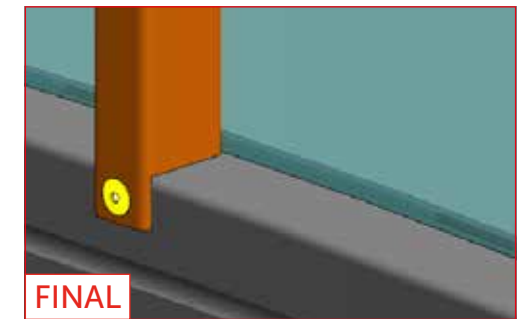
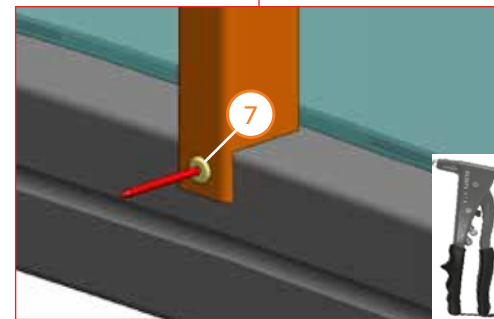
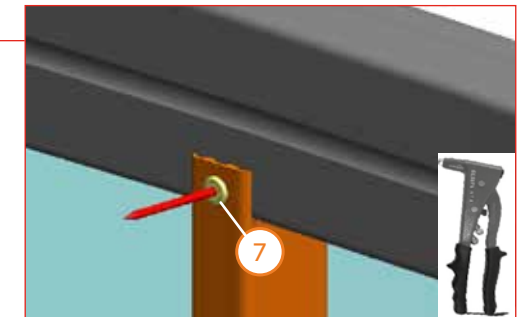
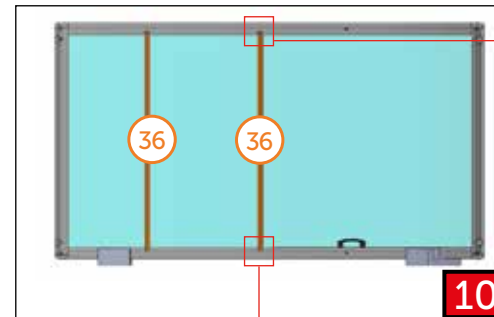
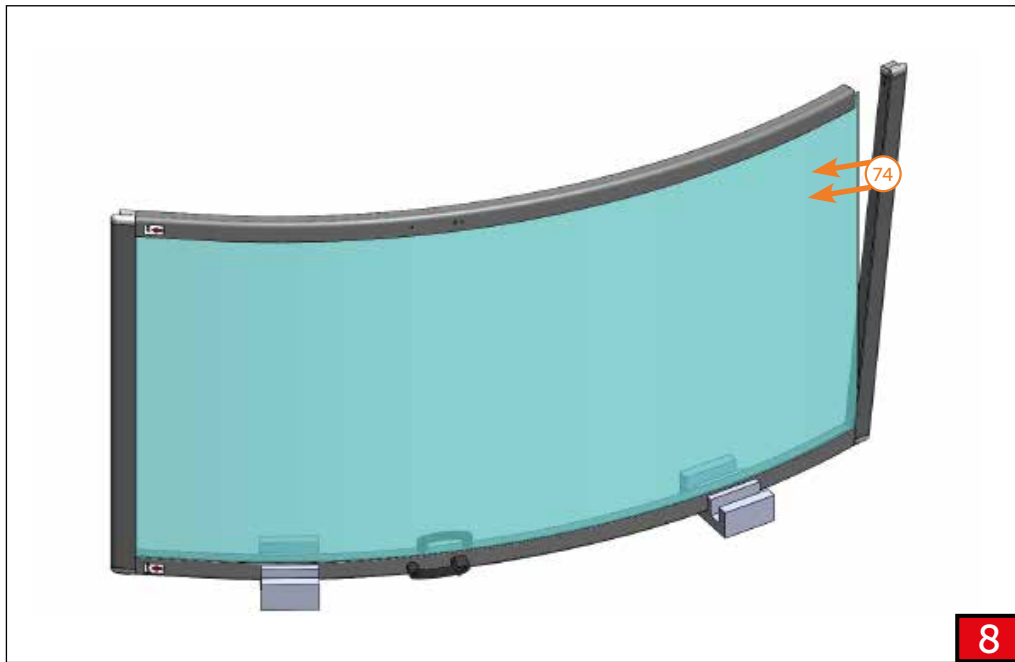
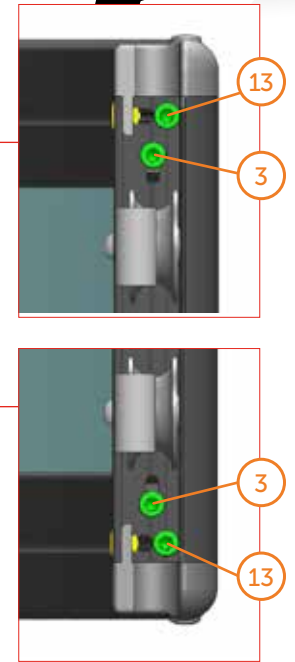
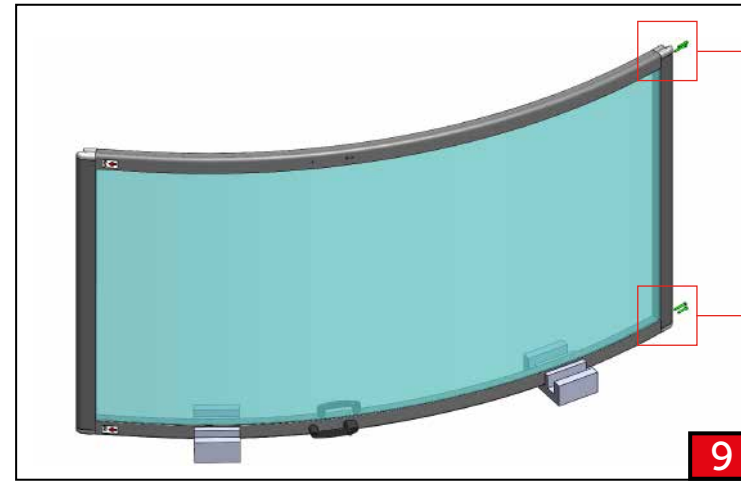
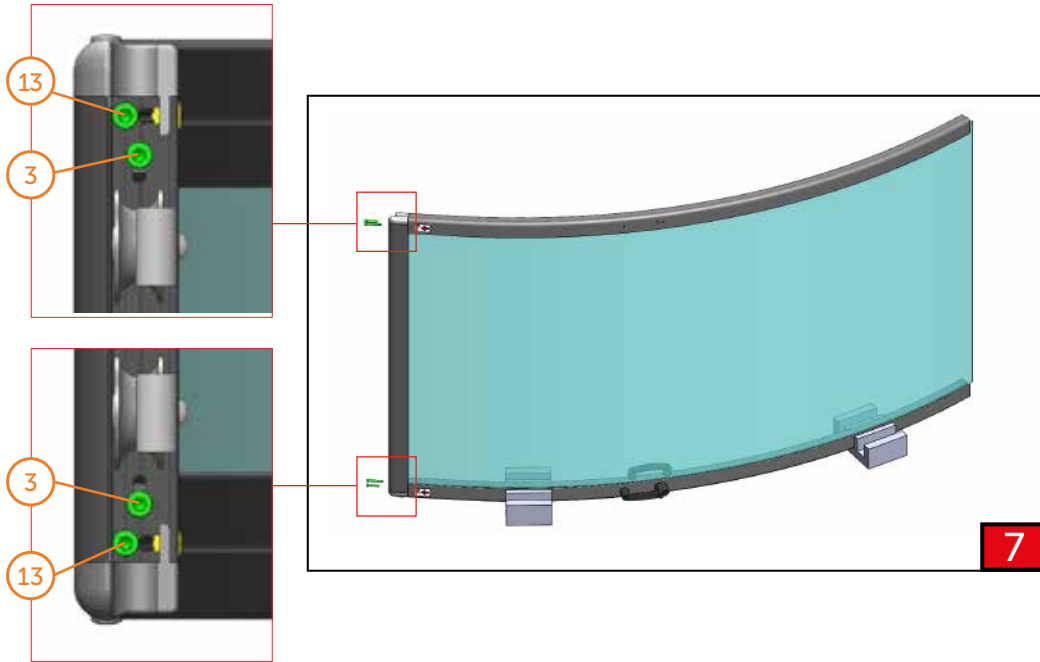
6,3 x 25

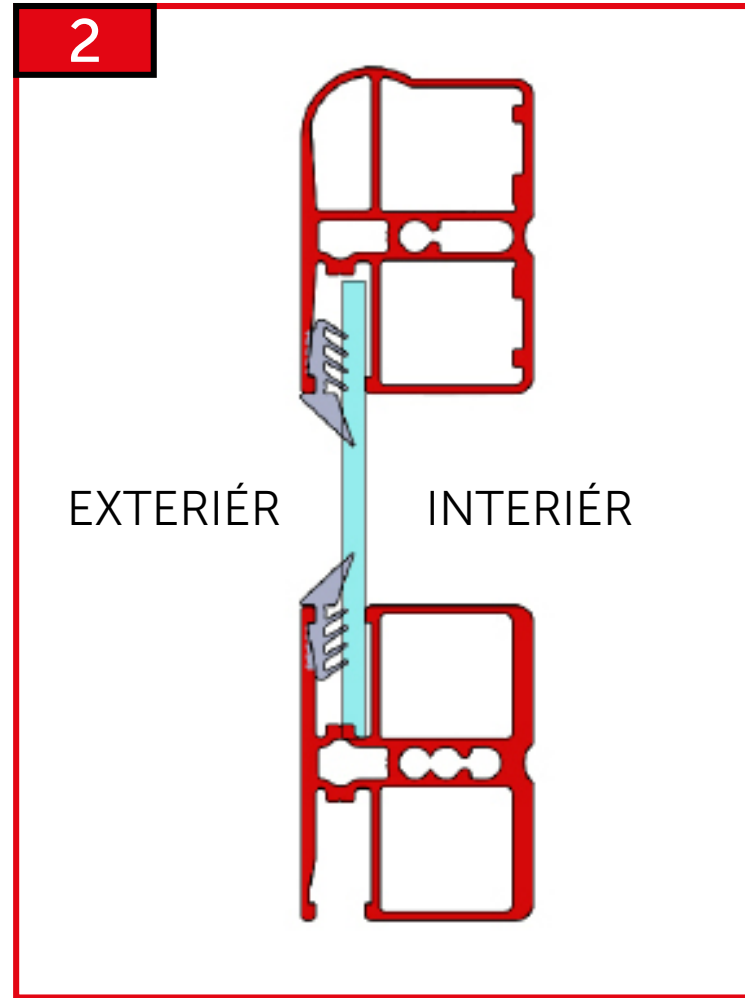
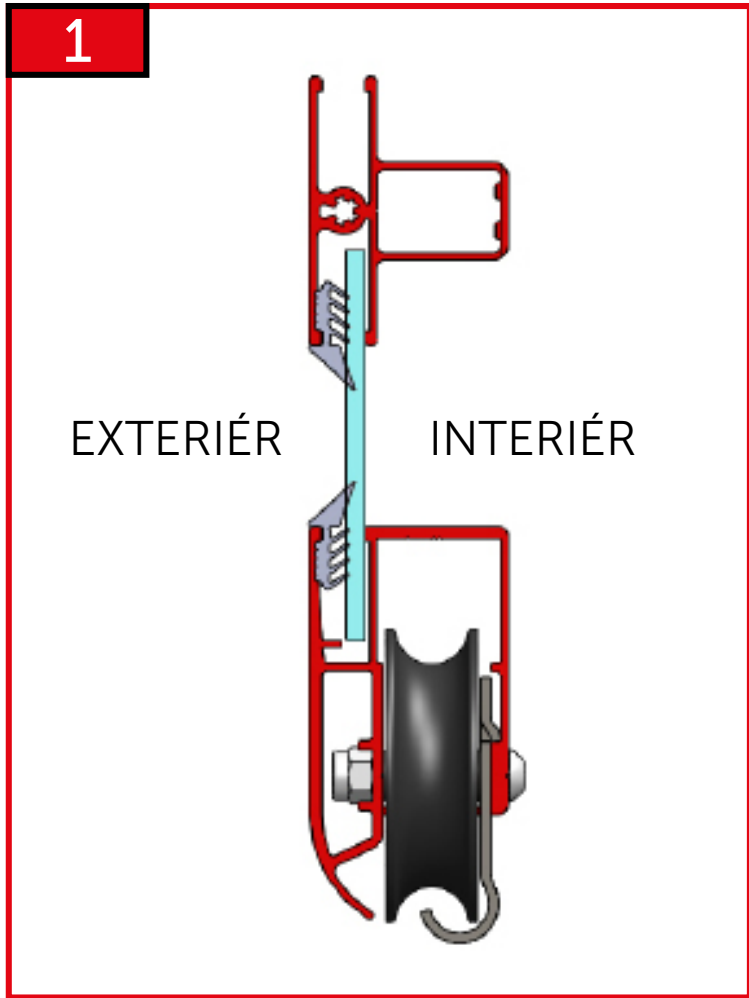
1x

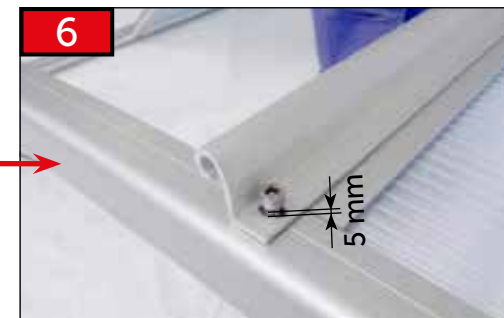
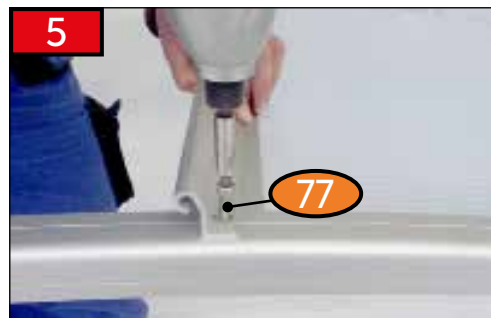
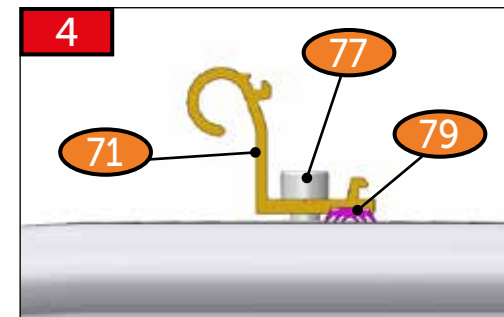
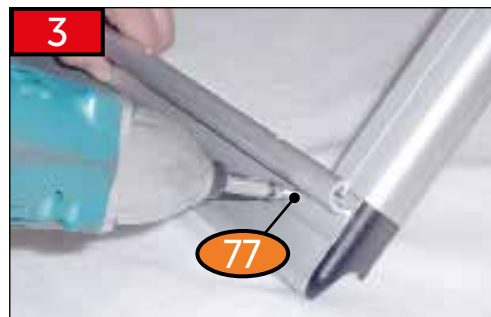
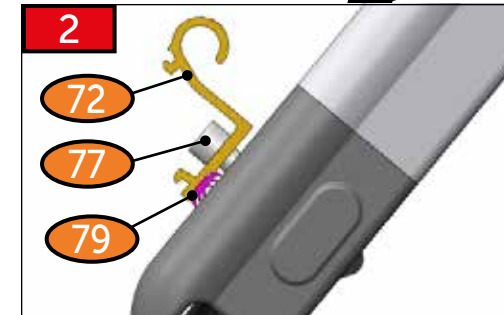
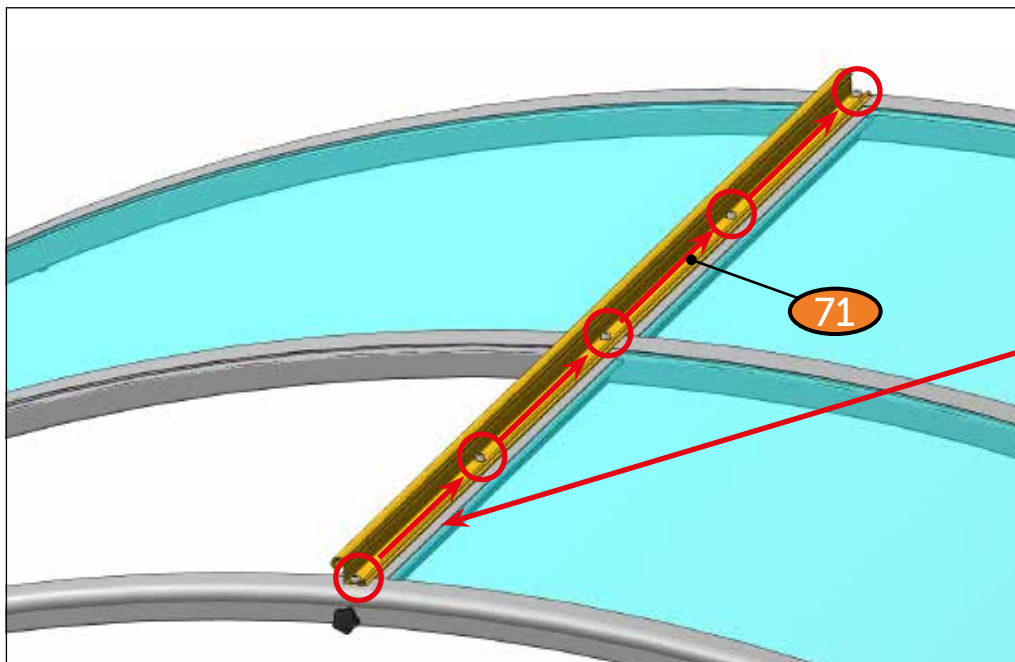
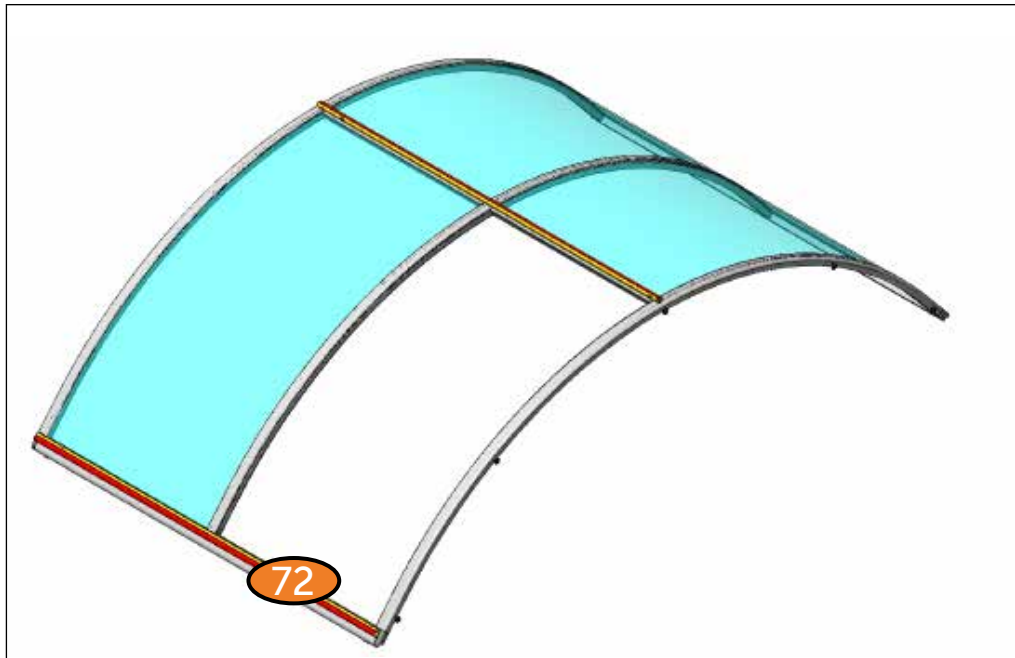
78

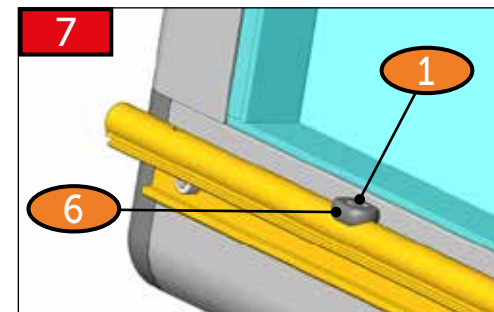
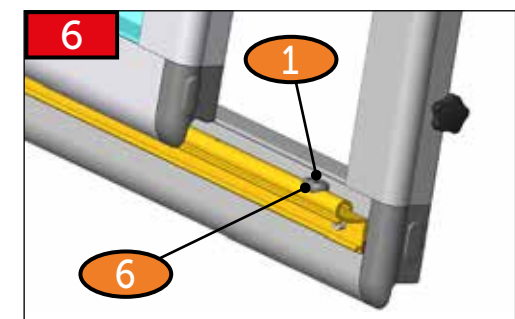
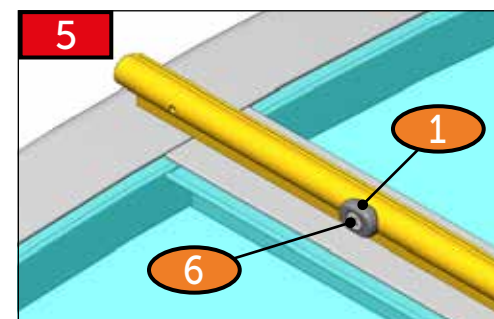
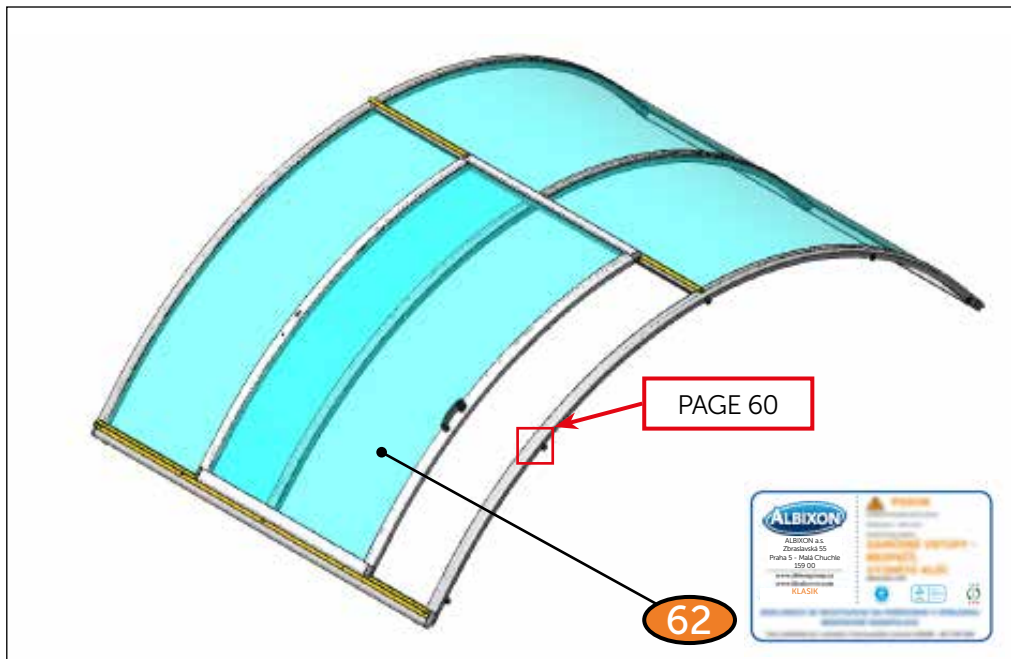
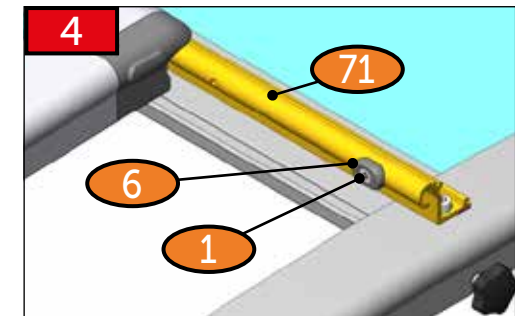
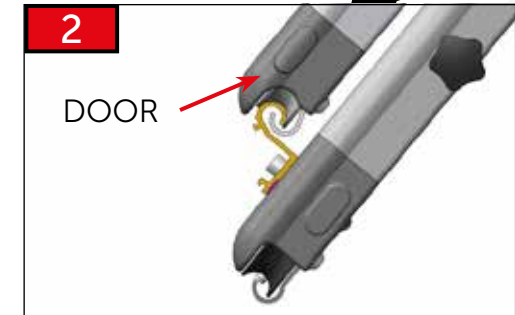
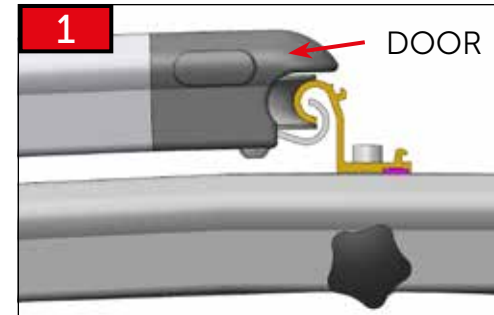
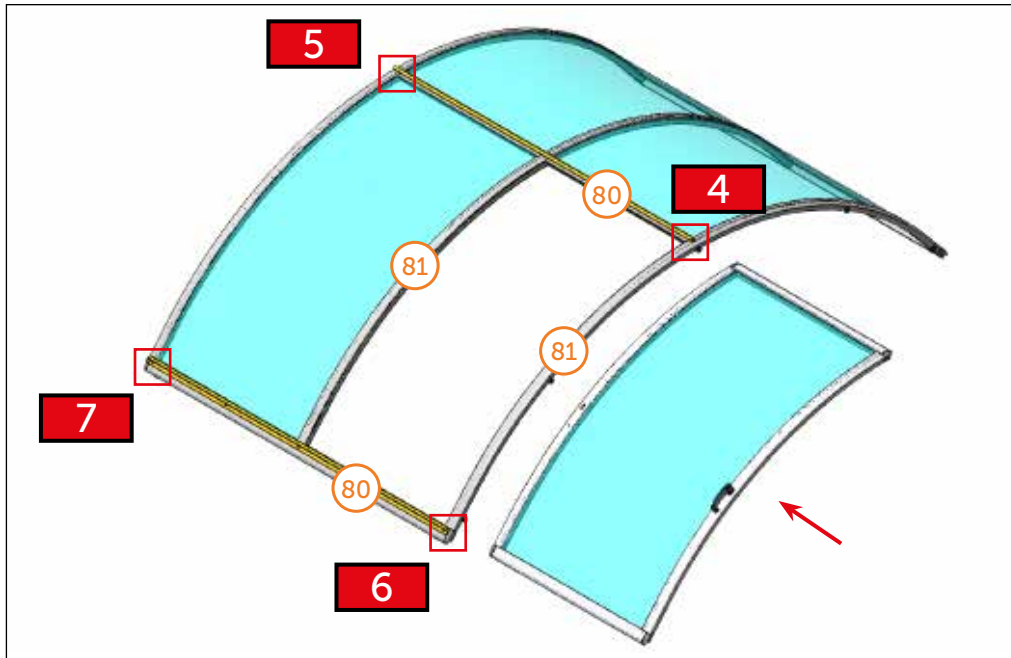


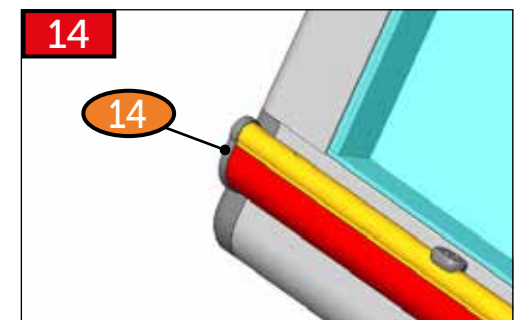
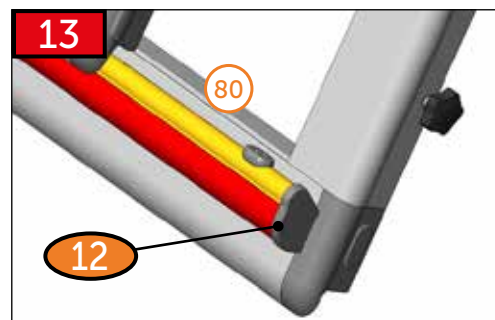
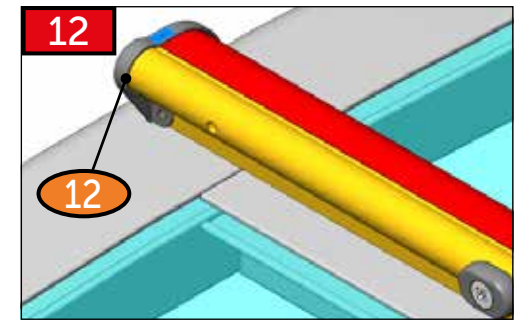
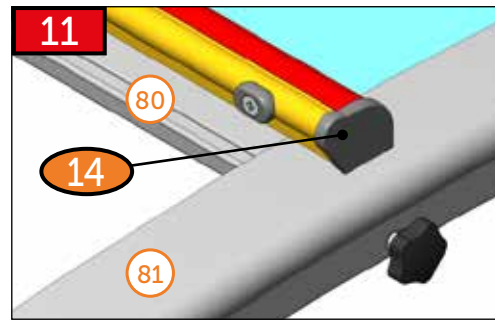
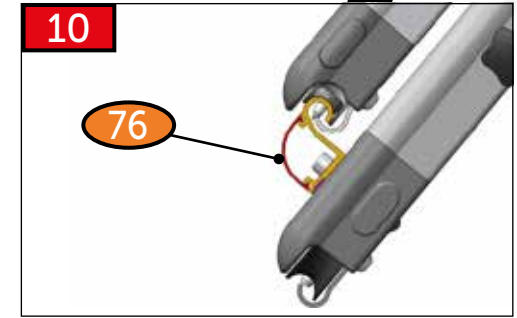
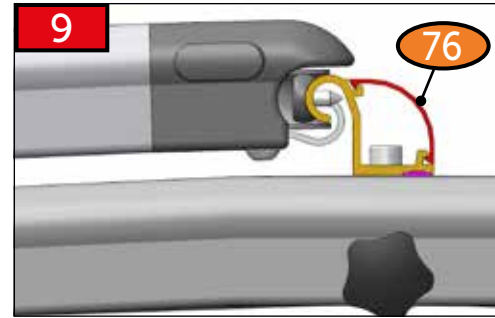
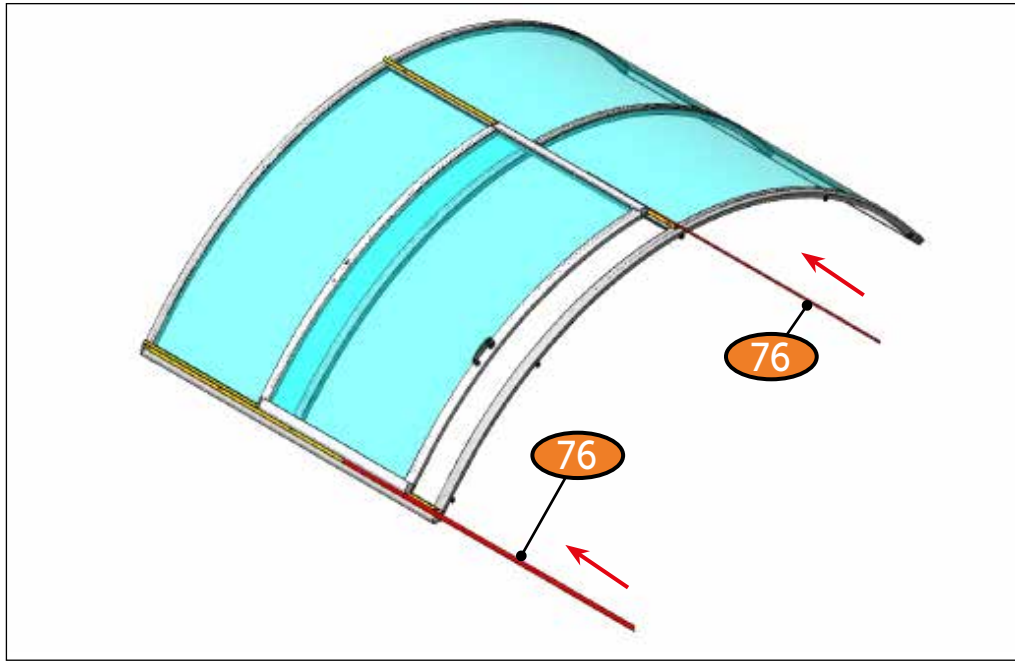


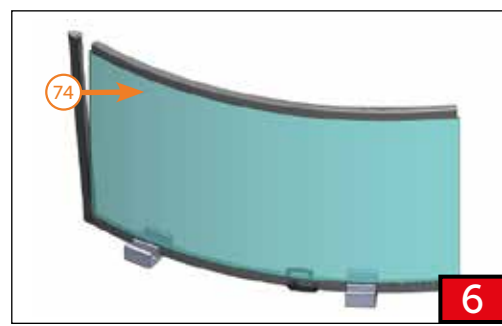
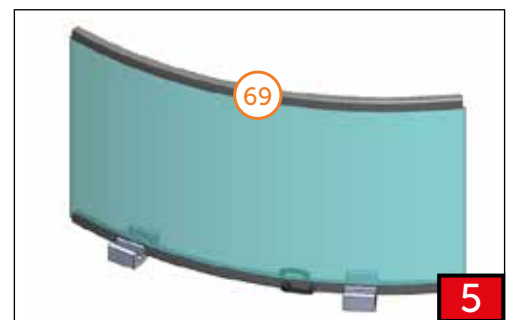
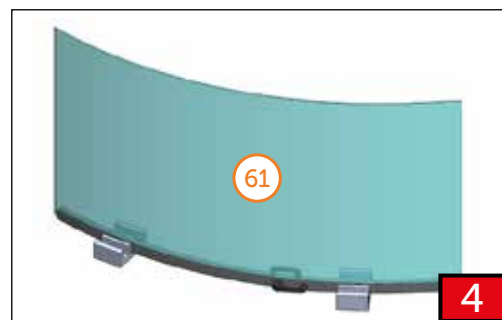
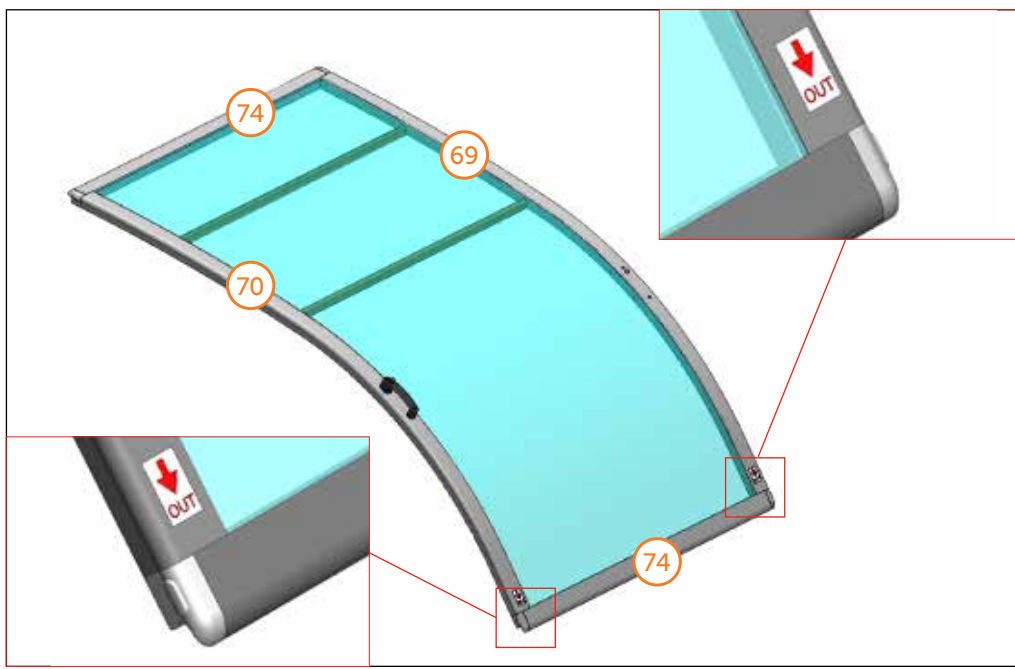
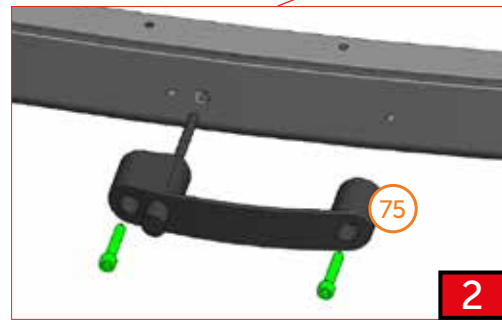
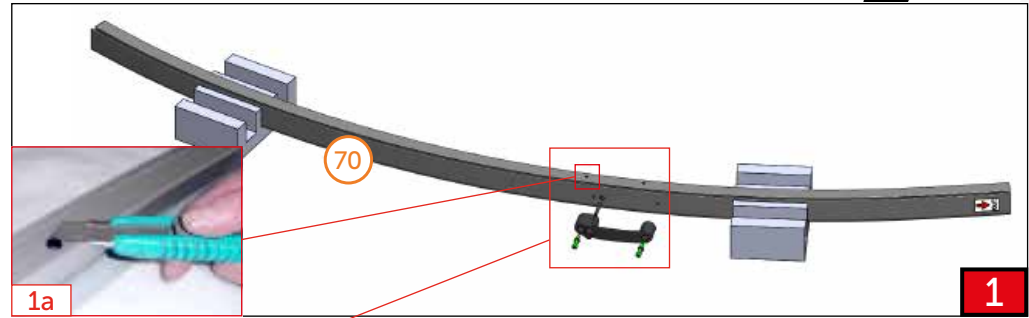
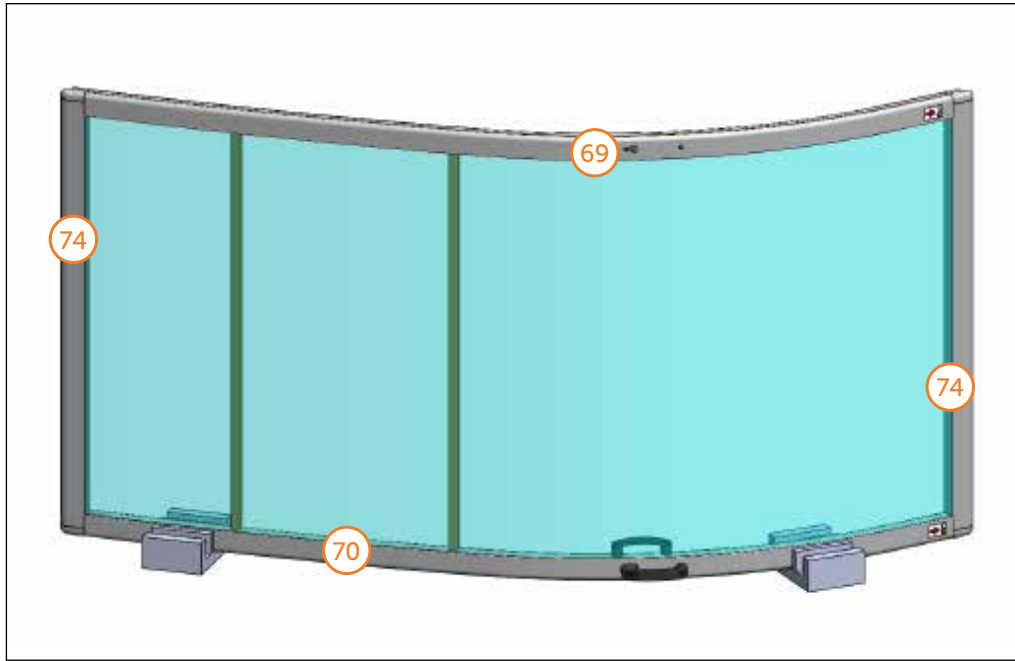


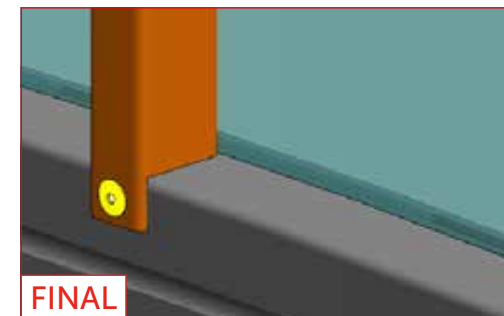
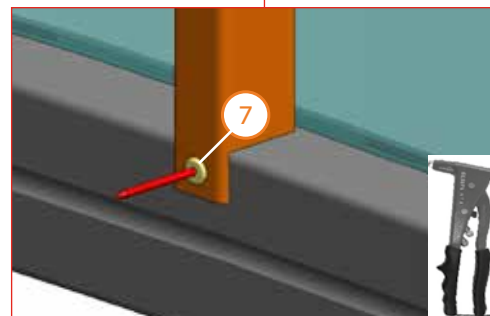
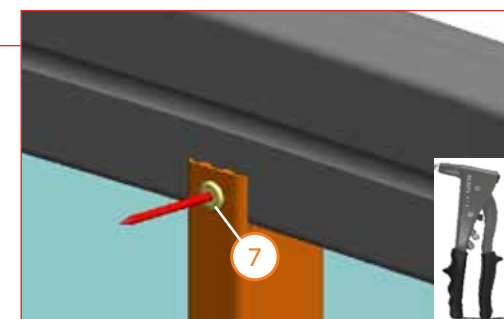
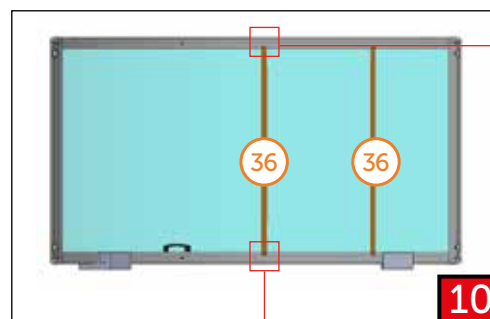
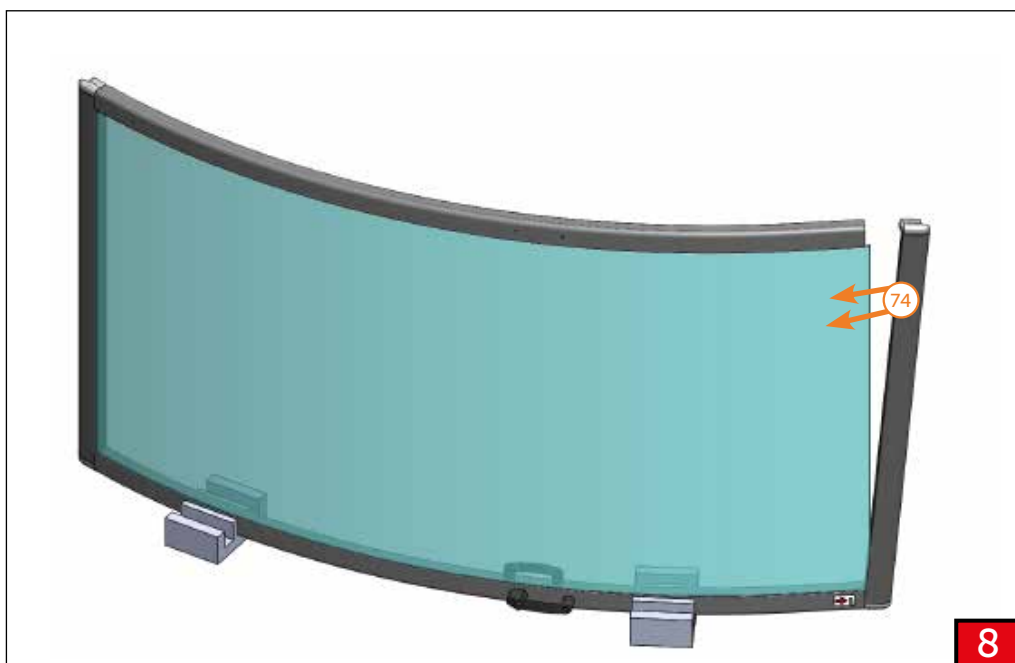
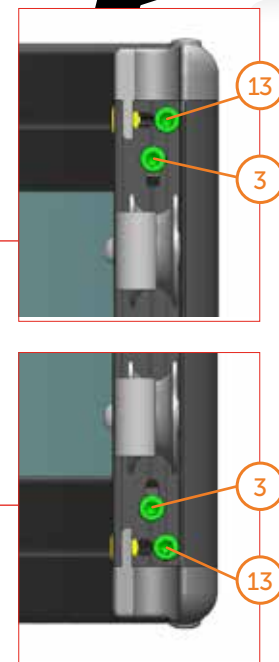
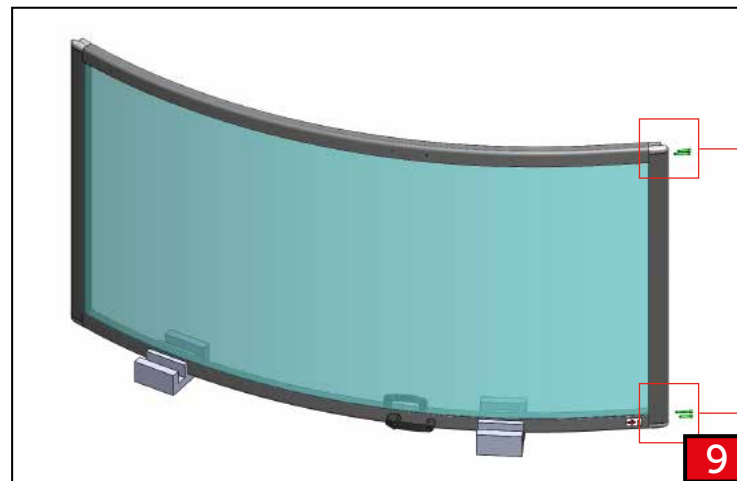
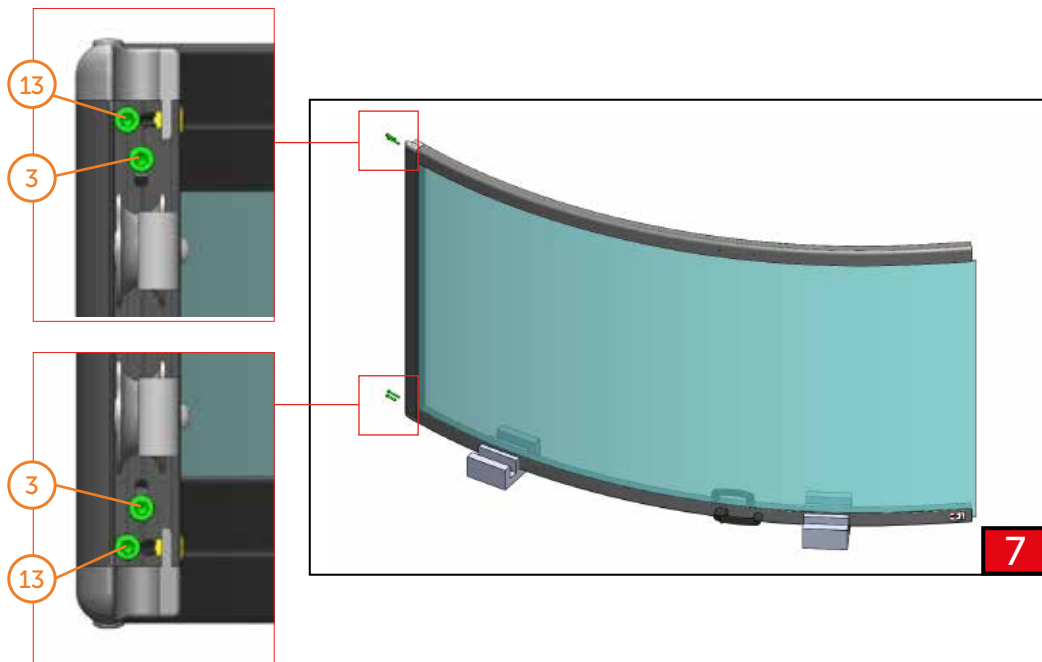


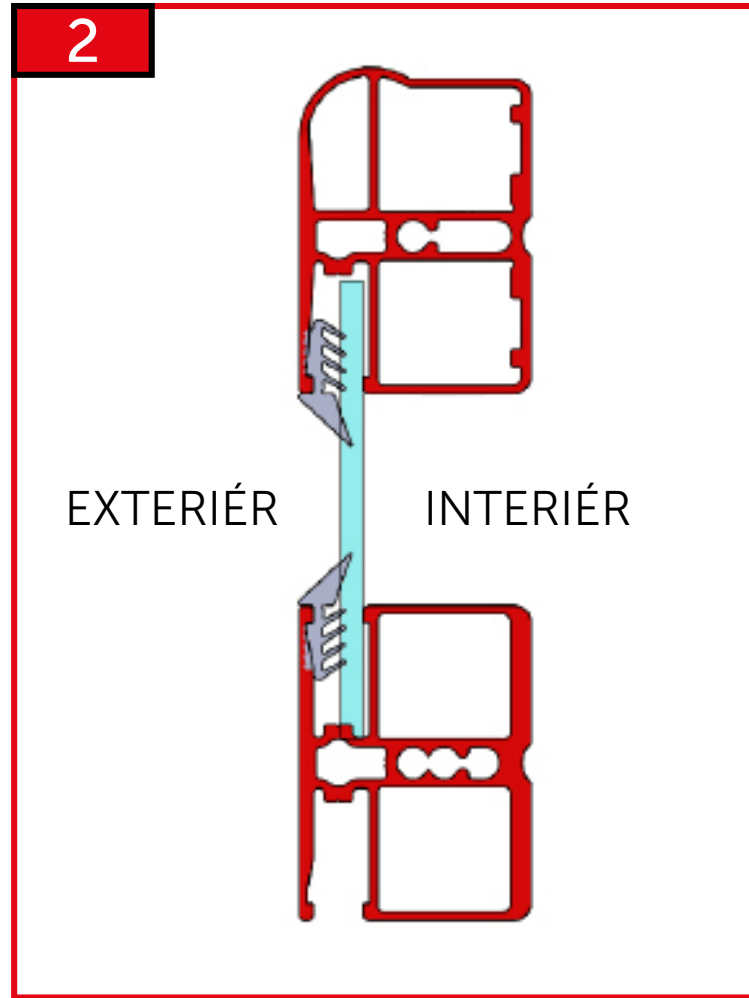
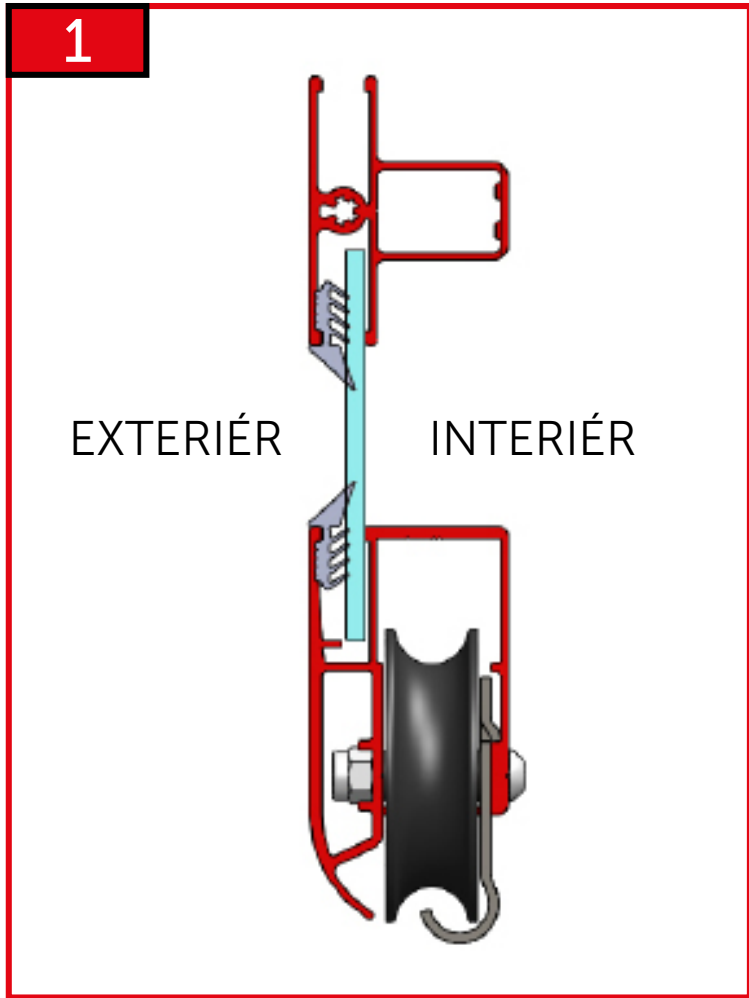




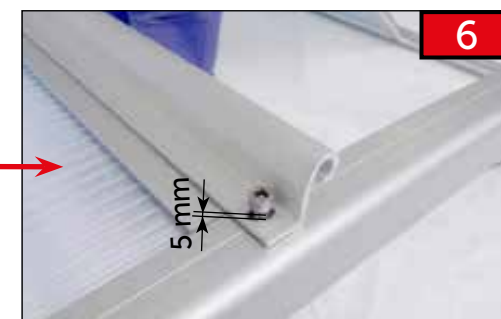
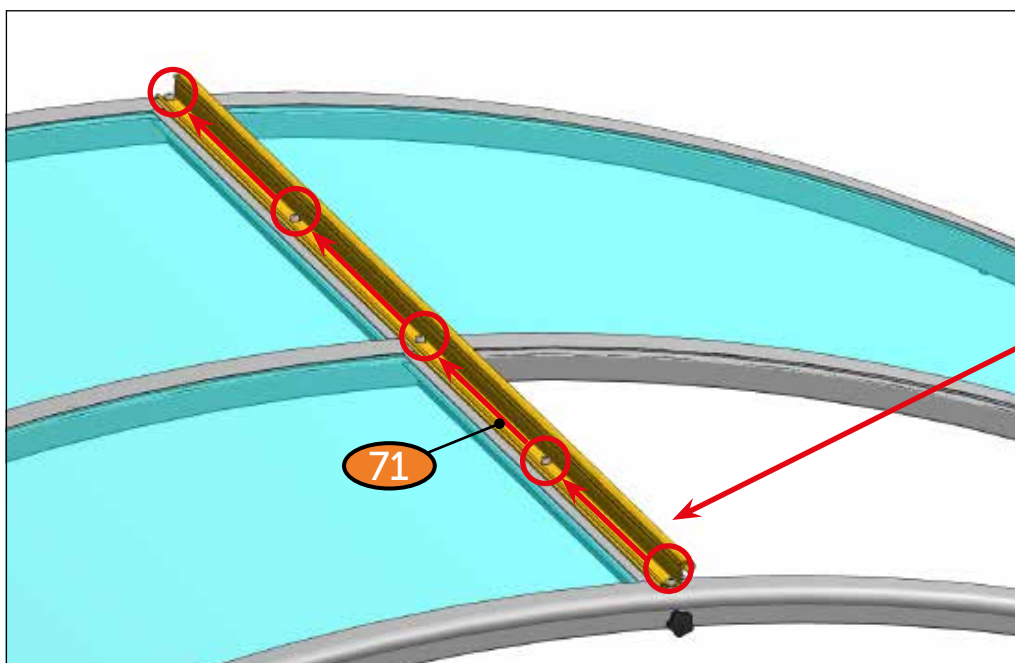
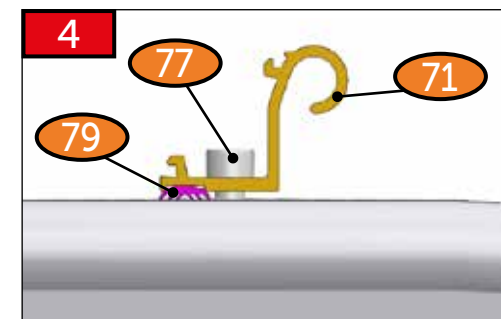
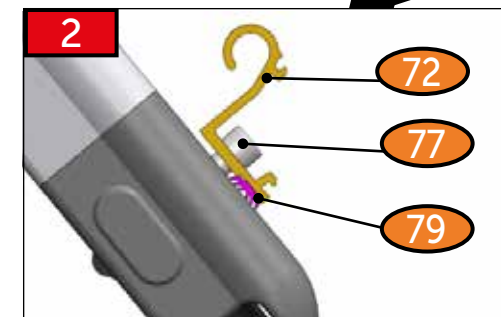
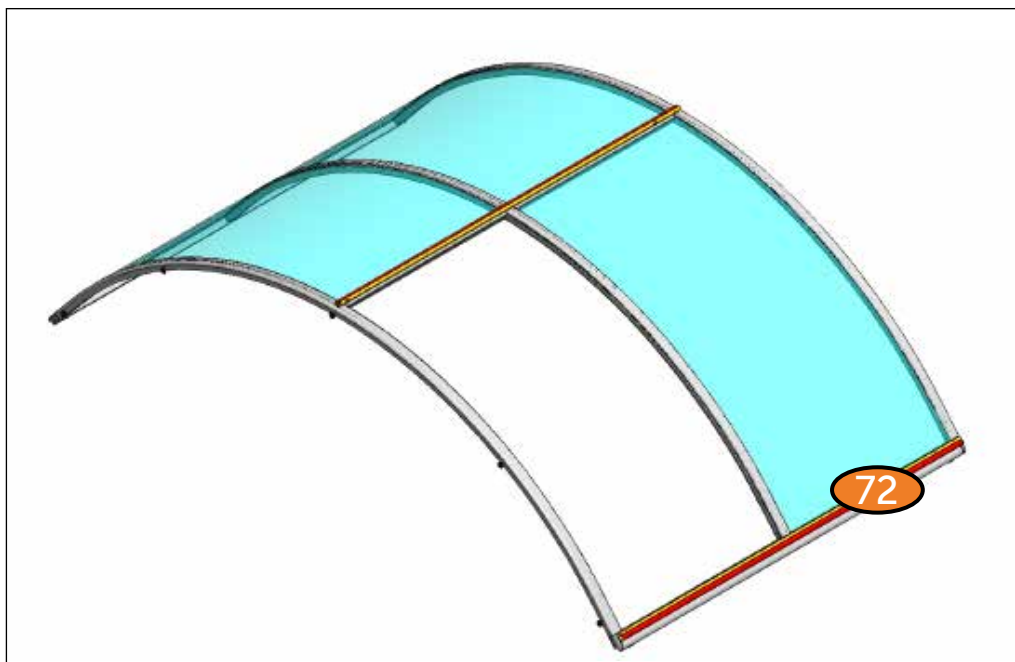


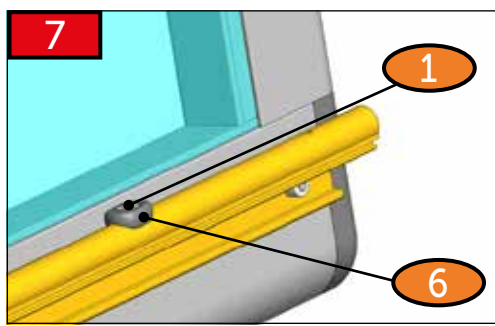
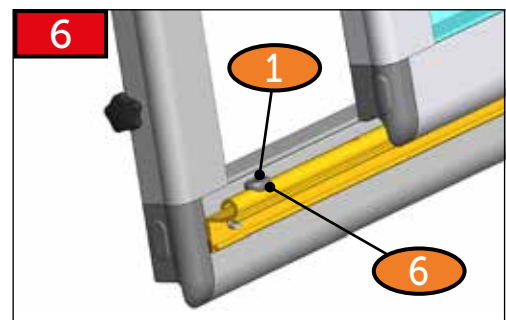
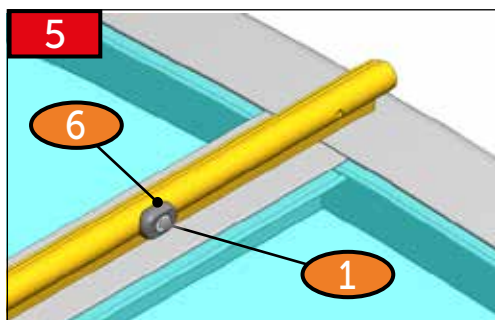
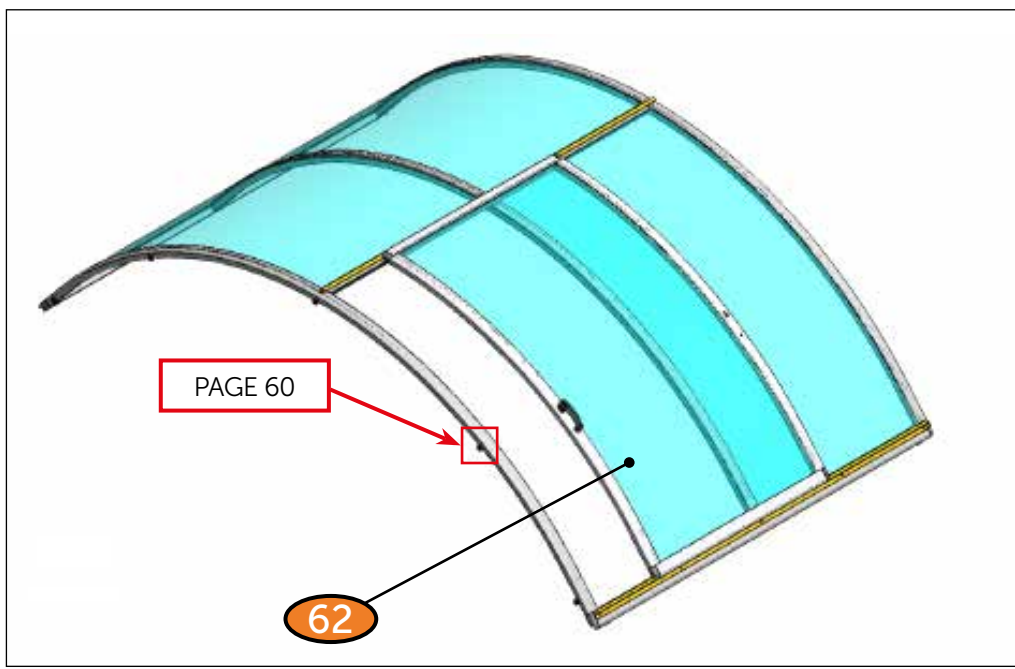
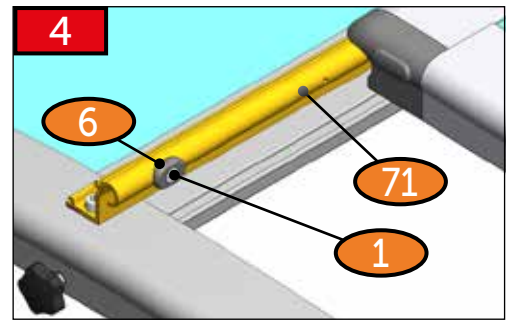
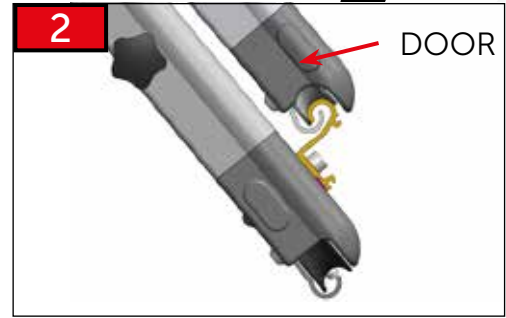
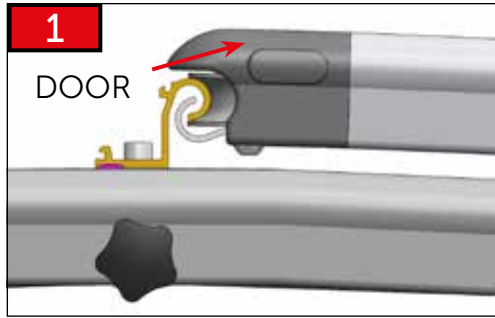
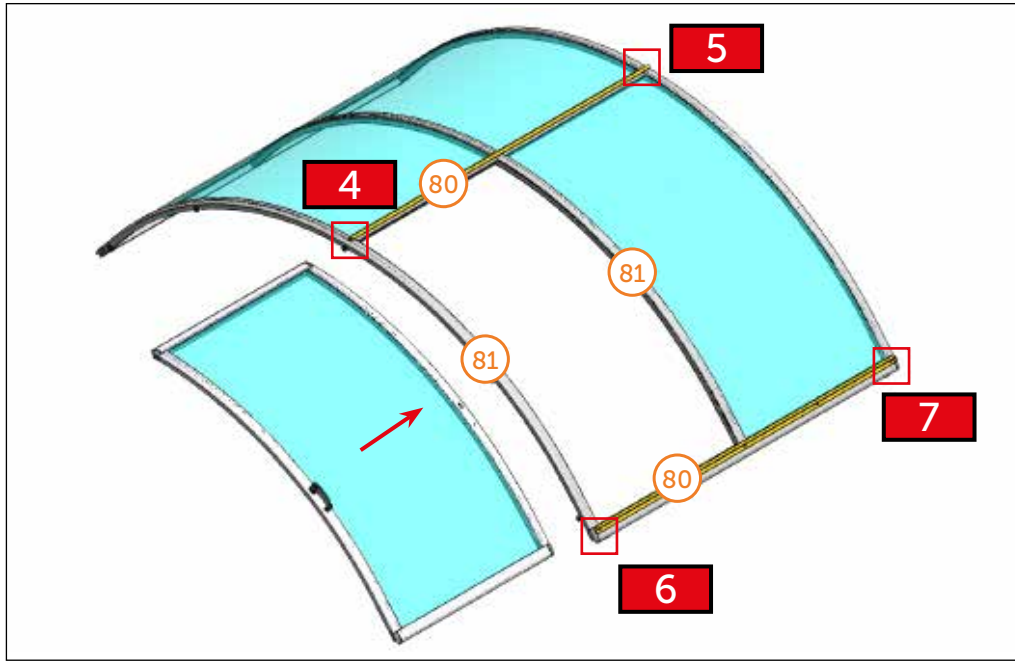


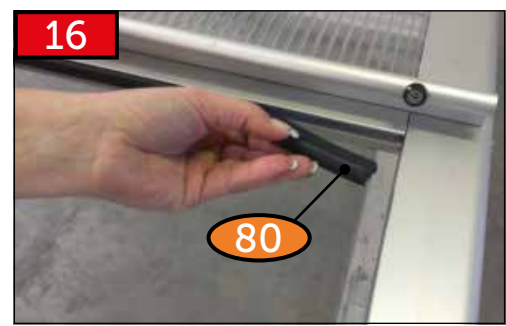
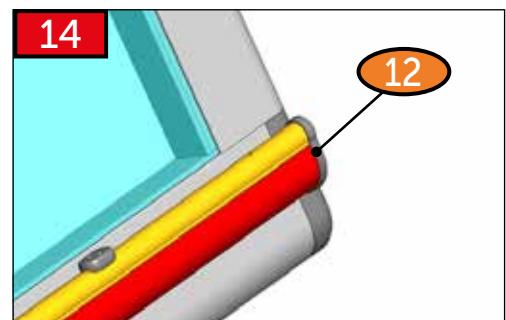
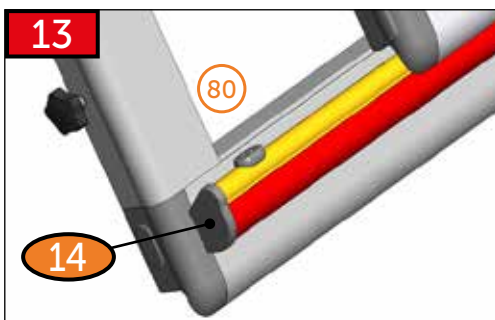
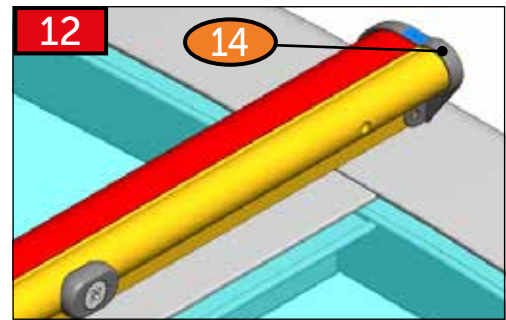
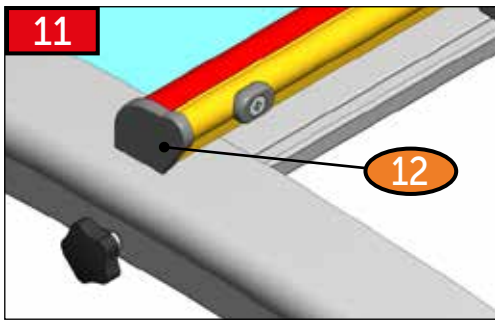
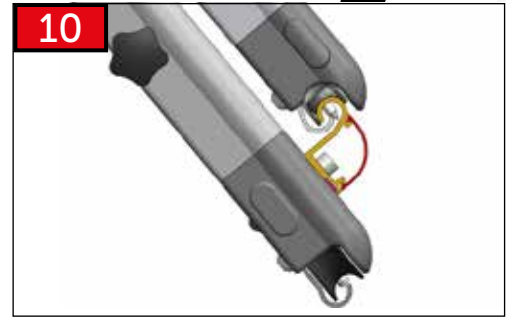
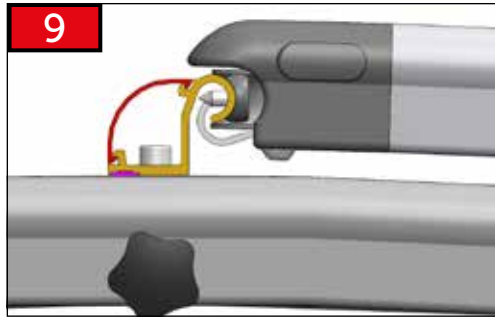
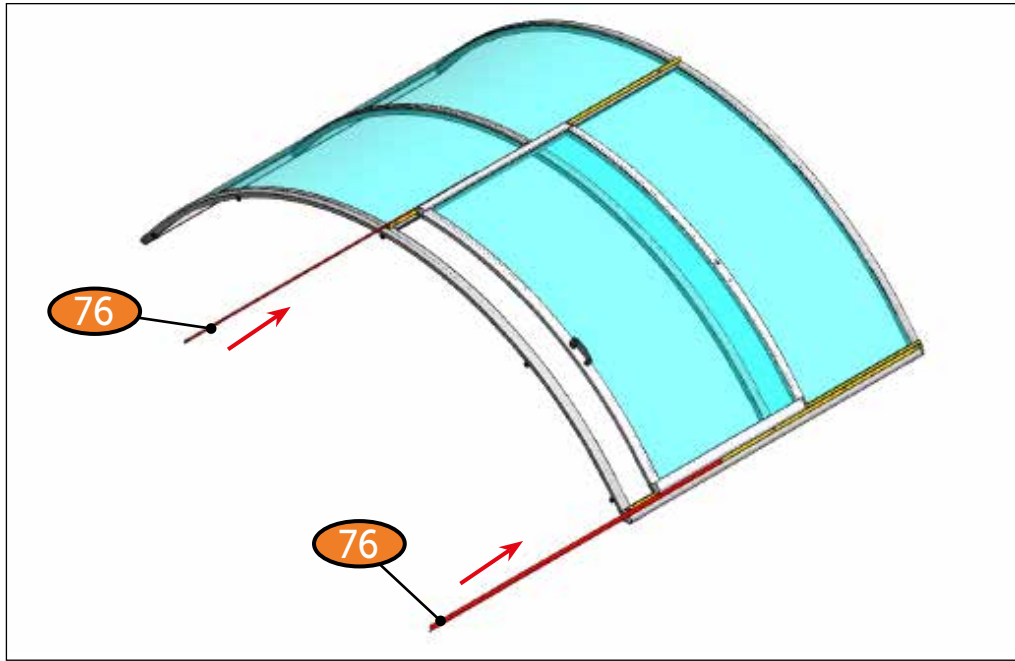


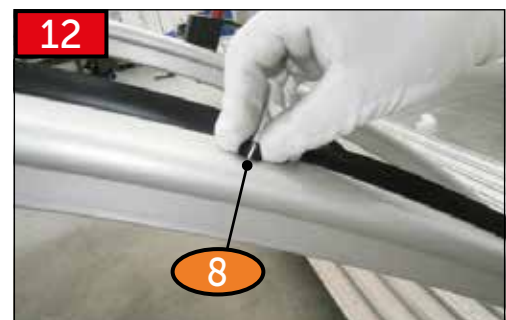
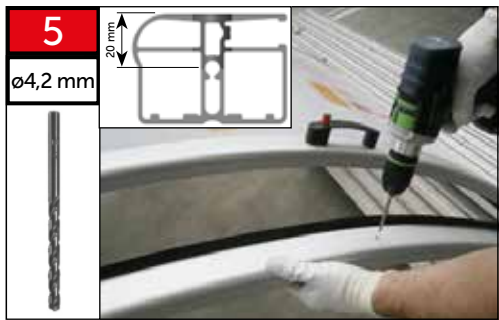


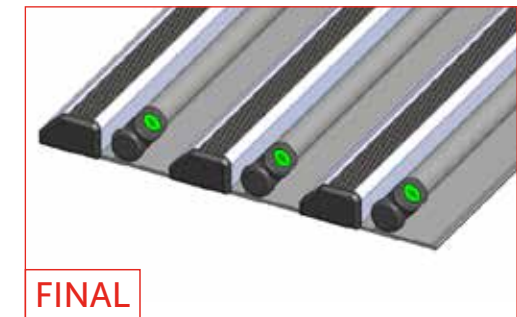
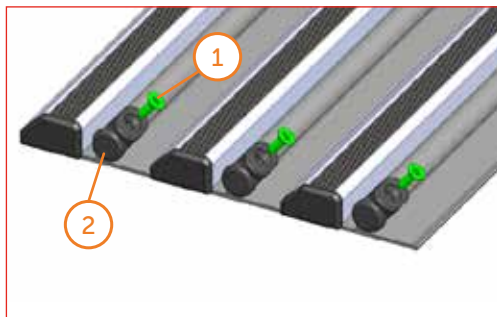
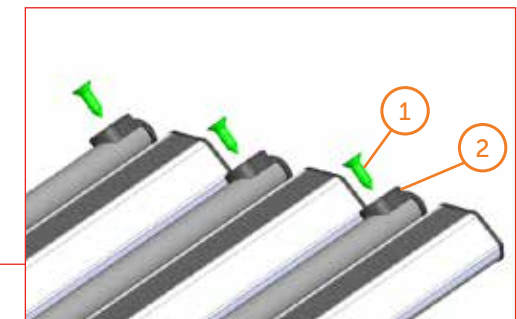
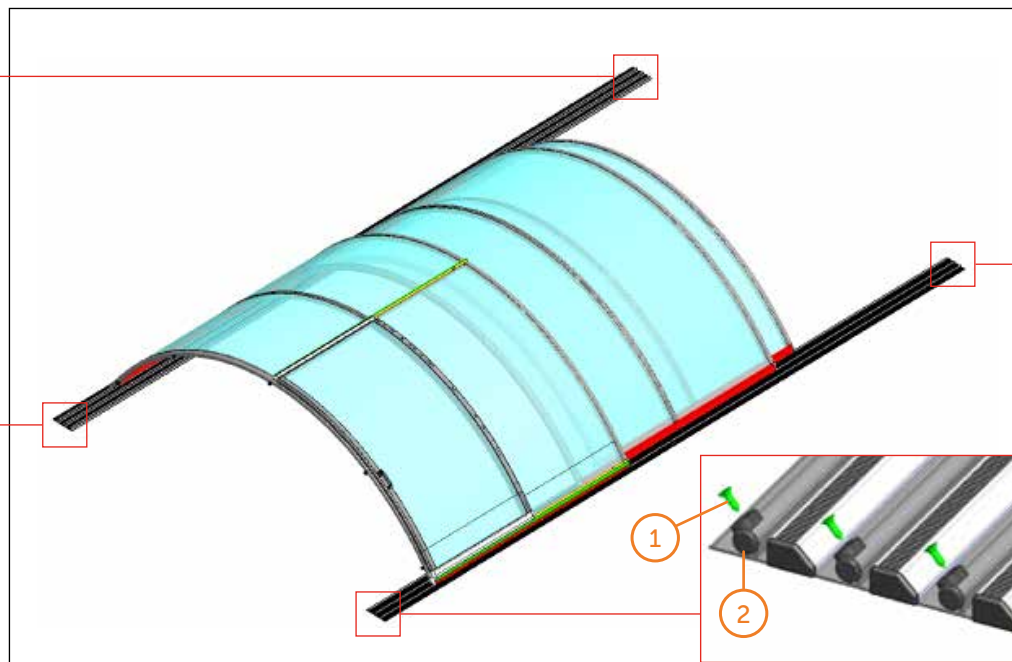
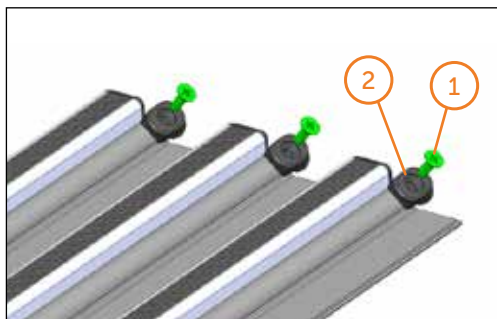
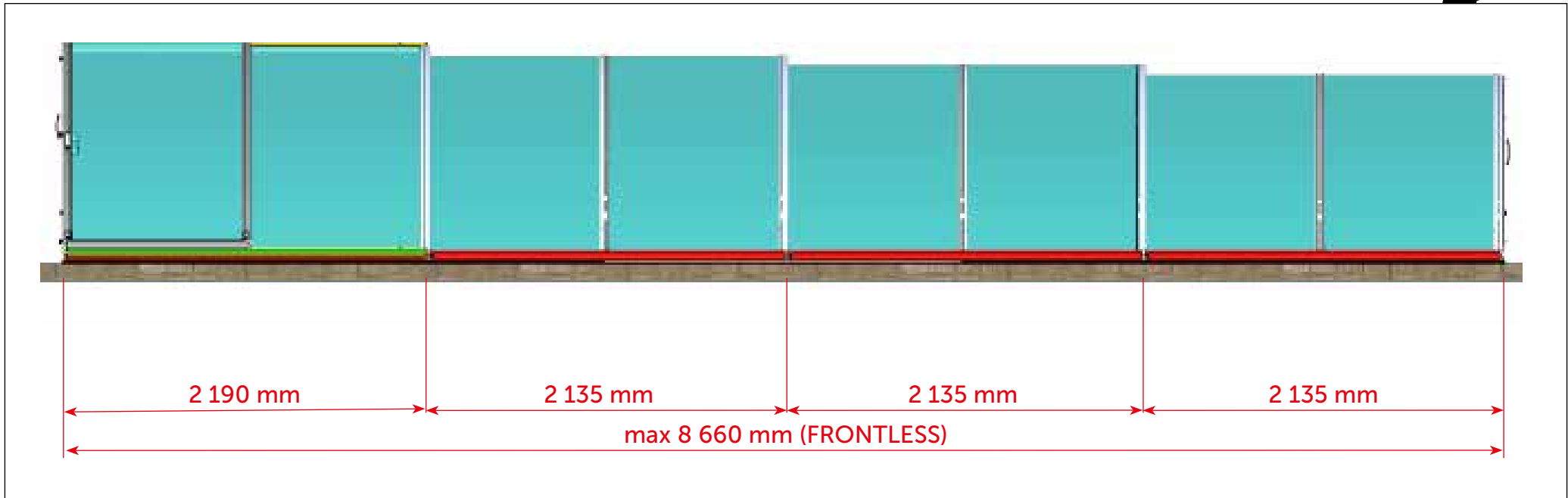


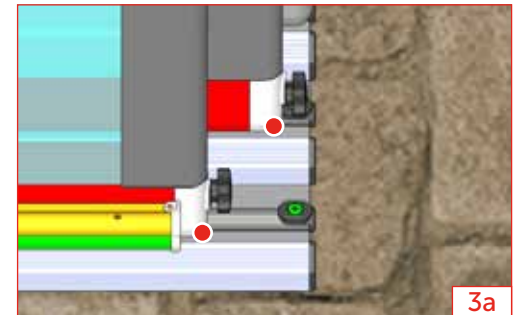
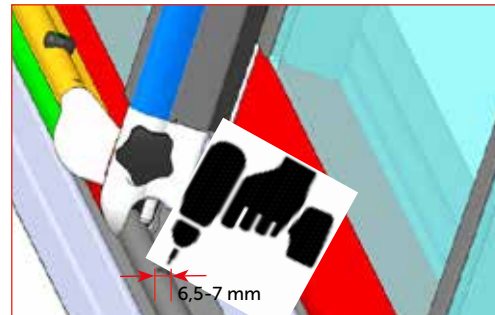
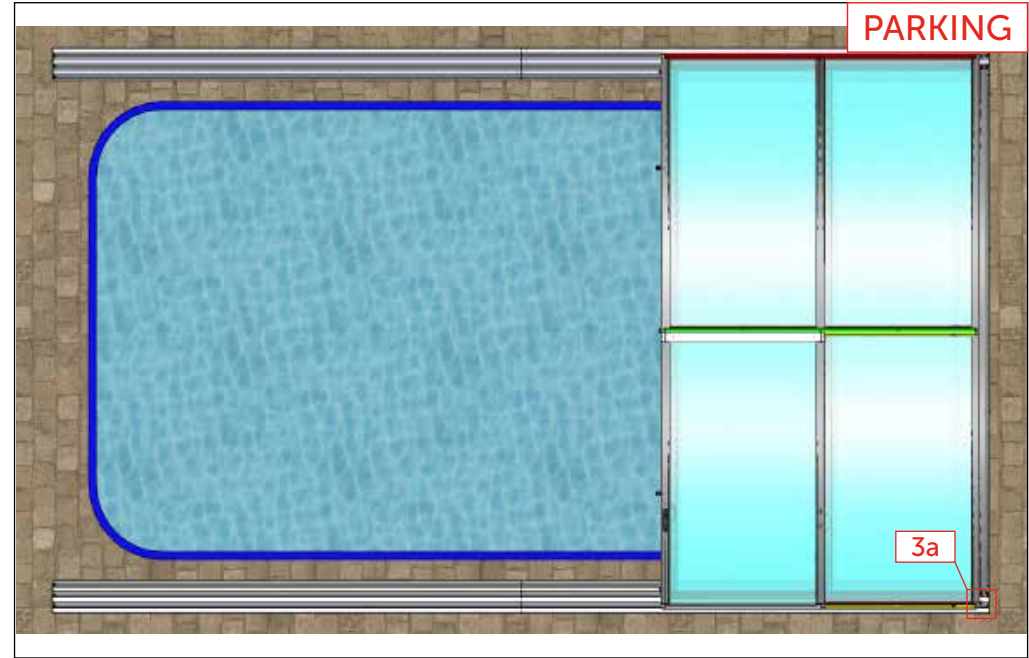
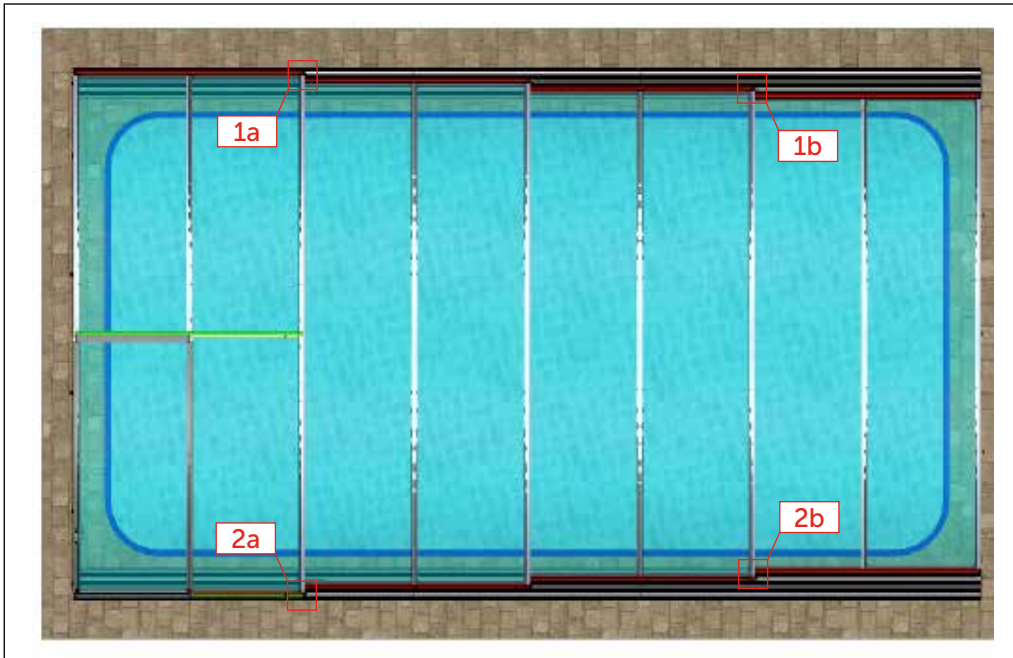
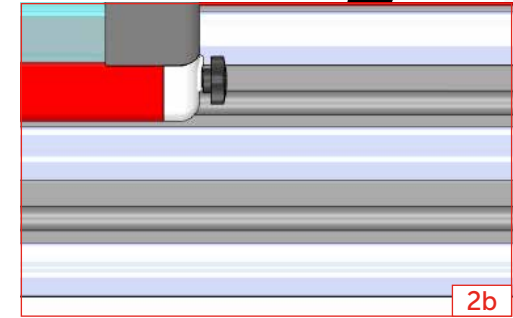
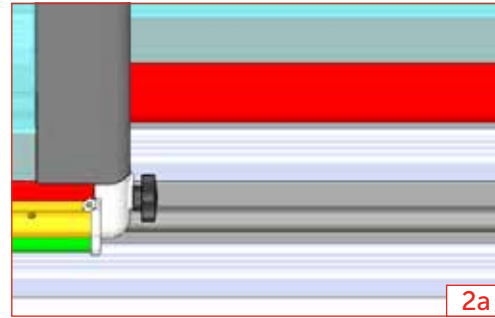
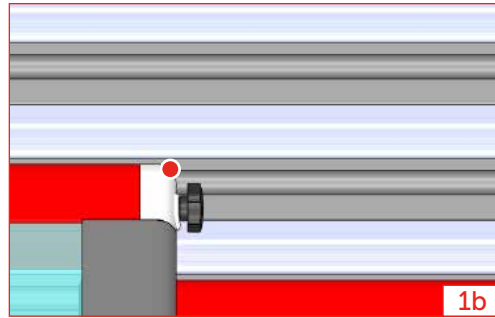
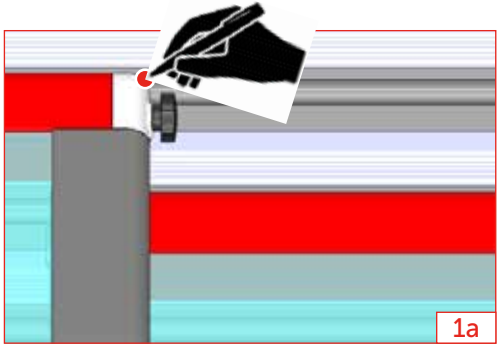




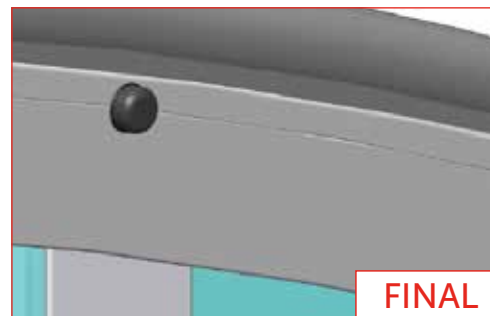
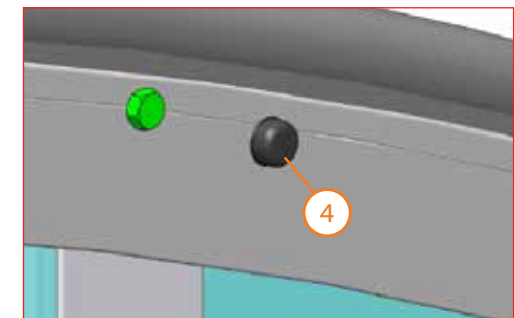
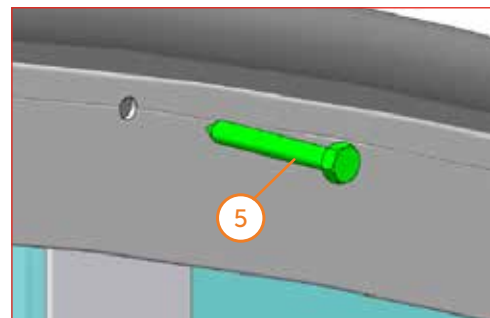
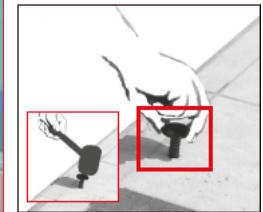
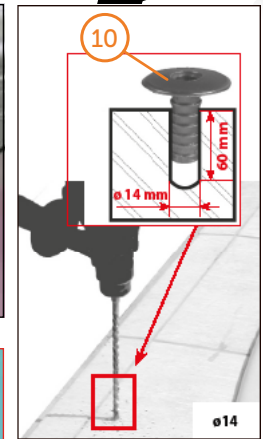
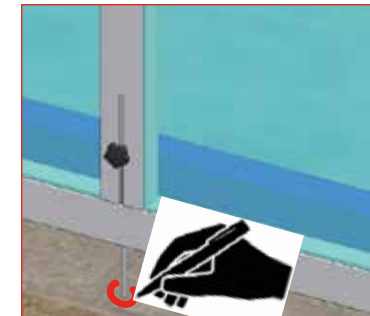
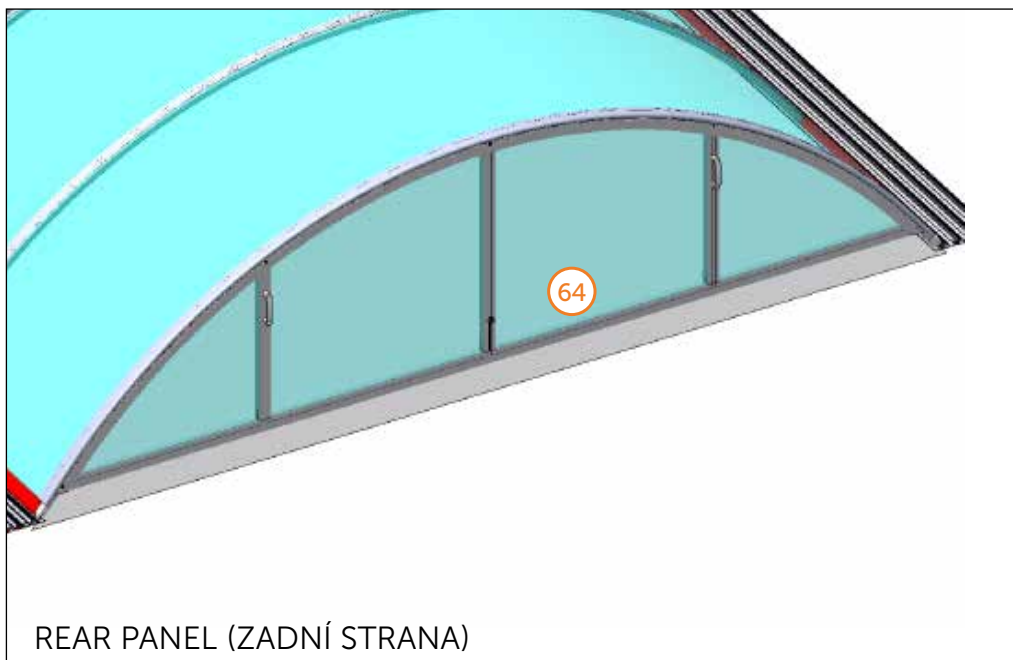
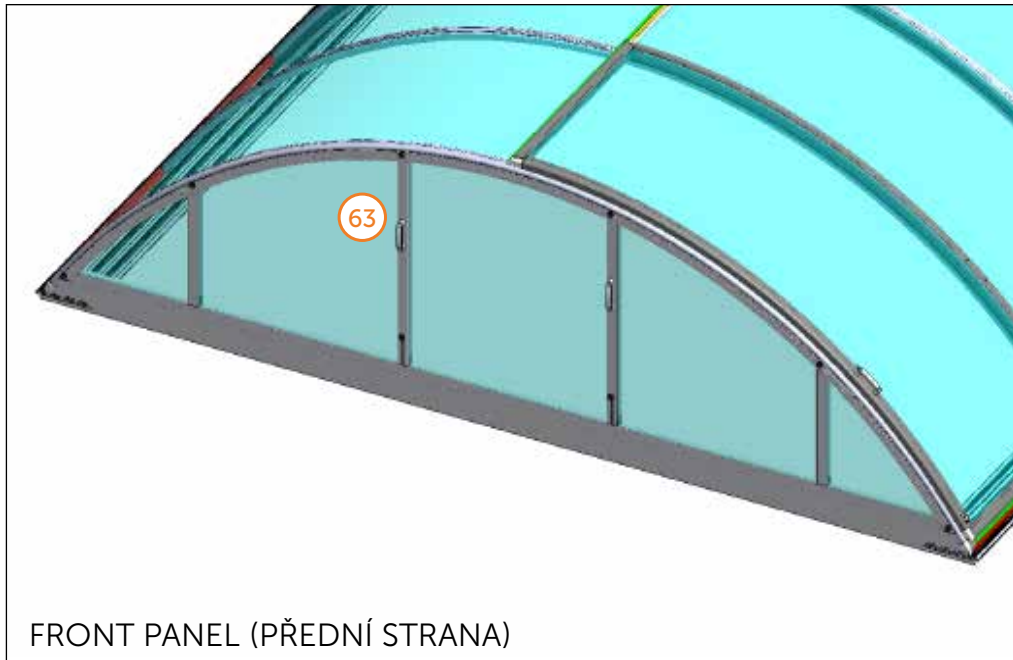








3a



## CZ

Dodavatel si vyhrazuje právo na změny a úpravy technických parametrů uváděných v tomto katalogu s ohledem na technický vývoj a zdokonalení výrobků a balení.  
Dodavatel si vyhrazuje právo na tiskové chyby a chyby v sazbě. Před montáží si pozorně přečtete návod. Návod si uchovejte pro pozdější použití.

## DE

Der Lieferant behält sich das Recht auf Änderungen und Anpassungen der technischen Parameter, die in diesem Katalog aufgeführt sind, mit Rücksicht auf die technische Entwicklung und Verbesserung der Produkte und Verpackung vor. Der Lieferant behält sich das Recht auf Druckfehler und Fehler im Satz vor.  
Vor der Montage lesen Sie bitte die Anleitung sorgfältig durch. Bewahren Sie die Anleitung für spätere Verwendung auf.

## EN

The supplier reserves the right for modifications and adaptations of the technical parameters stated in this catalogue, considering the technical development and upgrade of the products and packaging.  
The supplier reserves the right for print errors and typographical errors. Please read the manual carefully before you will start the installation. Keep the manual for later use.

## ES

El proveedor se reserva el derecho de hacer cambios y modificaciones técnicas de los parámetros que figuran en este catálogo, con respecto al desarrollo técnico mejorando los productos y embalajes.  
El proveedor se reserva también el derecho a errores de impresión y composición. Antes de empezar la instalación, lea atentamente las instrucciones. Guarde las instrucciones para su uso posterior.

## FR

Le fabricant se réserve le droit de modifier les paramètres techniques cités dans ce manuel en considération du développement technique et de l'amélioration des produits et de leur emballage. Le fabricant se réserve le droit des fautes d'impression et de composition. À lire attentivement et à conserver pour une consultation ultérieure.

## HU

Gyártó fenntartja jogát a katalógusban feltüntetett műszaki paraméterek változtatására a termékek és csomagolás technikai fejlesztése és tökéletesítése szerint.  
Szállító: a szállító fenntartja jogát a nyomtatási és szedési hibákra.

## IT

Il fornitore si riserva il diritto di effettuare modifiche e correzioni ai parametri tecnici riportati nel presente catalogo per migliorare e perfezionare dal punto di vista tecnico i prodotti e gli imballaggi.  
Il fornitore non esclude inoltre l'eventuale presenza di errori di stampa e di impaginazione. Prima dell'installazione, leggere attentamente le istruzioni. Tenere l'istruzione per un uso successivo.

## PL

Dostawca zastrzega sobie prawo do zmian oraz dostosowania parametrów technicznych podanych w niniejszym katalogu z uwzględnieniem rozwoju technicznego i udoskonalania produktów oraz opakowań. Dostawca zastrzega sobie prawo do błędów druku oraz typograficznych.

## PT

O provedor reserva-se o direito a efectuar alterações e adaptações de parâmetros técnicos mencionados neste catálogo, tendo em consideração o avanço técnico e melhorias de produtos e embalagens. O provedor reserva-se o direito a cometer erros de impressora e de edição.

## RO

Furnizorul își rezervă dreptul de a modifica și schimba parametrii tehnici menționați în acest catalog cu privire la evoluția tehnică și perfecționarea produselor și a ambalării. Furnizorul își rezervă dreptul la greșelile de tipar și greșelile privind tarifele.

## RU

Поставщик оставляет за собой право на изменение и исправление технических параметров продукции указанной в этом каталоге, с учетом технического развития, а усовершенствования изделий и его упаковки. Поставщик оставляет за собой право на опечатку в тексте и в ценах.  
Перед установкой и эксплуатацией изделия внимательно ознакомьтесь с настоящим руководством. Сохраните данное руководство для дальнейшего использования.