

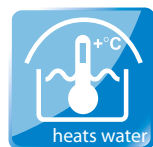
# SYDNEY B/BS [PKB 8mm]

# SYDNEY B/BS CLEAR [PK 4mm]

## [V-02] BOX



VERZE: 03. 11. 2021 / REVIZE: 04. 11. 2021



**BG**  
 Използването на басейна е възможно само с помощта на ALBIXON. Не е позволено използването на басейна без ALBIXON. Не е позволено използването на басейна с ALBIXON, който не е одобрен от ALBIXON.

**DE**  
 Schwimmbadüberdachung: keine Installation. Einbau nur durch ALBIXON. Nicht für den Eigenbau geeignet. Die Installation ist nur durch ALBIXON zu gewährleisten.

**ES**  
 Cubierta de piscina: instalación ligera. Construcción de ALBIXON. No es para el autoconstrucción. La instalación debe ser realizada por ALBIXON.

**FR**  
 Abri de piscine: construction légère. Construction de ALBIXON. Ne pas pour l'autoconstruction. L'installation doit être assurée par ALBIXON.

**HU**  
 Medencefedélzet: könnyű szerelés. ALBIXON. Ne P. 300 magában. A felépítést ALBIXON-nak kell biztosítani.

**CN**  
 游泳池 遮阳棚  
 轻型结构 ALBIXON. 不是 P. 300 本身。  
 必须由 ALBIXON 提供安装服务。

**LT**  
 Šiluminis vandens baseino apsaugos dangtis. ALBIXON. Ne P. 300 magában. A felépítést ALBIXON-nak kell biztosítani.

**PL**  
 Zadaszenie basenu: konstrukcja lekka. Instalacja ALBIXON. Nie P. 300 samodzielnie. Instalacja musi być wykonana przez ALBIXON.

**RU**  
 Тканевый для бассейна: установка легкая. Установка ALBIXON. Не P. 300 самостоятельно. Установка должна быть выполнена ALBIXON.

**SK**  
 Bazénové zastrešenie: ľahká konštrukcia. Inštalácia ALBIXON. Nie P. 300 samostatne. Inštalácia musí byť vykonaná ALBIXON.

**CZ**  
 Bazénové zastřešení: lehká konstrukce. Instalace ALBIXON. Ne P. 300 samostatně. Instalace musí být zabezpečena ALBIXON.

**DK**  
 Bæskederdækning: let konstruktion. Installation af ALBIXON. Ne P. 300 selv. Installationen skal udføres af ALBIXON.

**EE**  
 Basini kaetmine: lihtne konstruktsioon. Paigaldamine ALBIXON. Ne P. 300 iseseisvalt. Paigaldamine peab toimuma ALBIXON.

**GB**  
 The swimming pool enclosure: light weight construction. Installation of ALBIXON. Ne P. 300 self. Installation must be carried out by ALBIXON.

**HR**  
 Nadstrešnica bazena: laka konstrukcija. Instalacija ALBIXON. Ne P. 300 samostalno. Instalacija mora biti osigurana od strane ALBIXON.

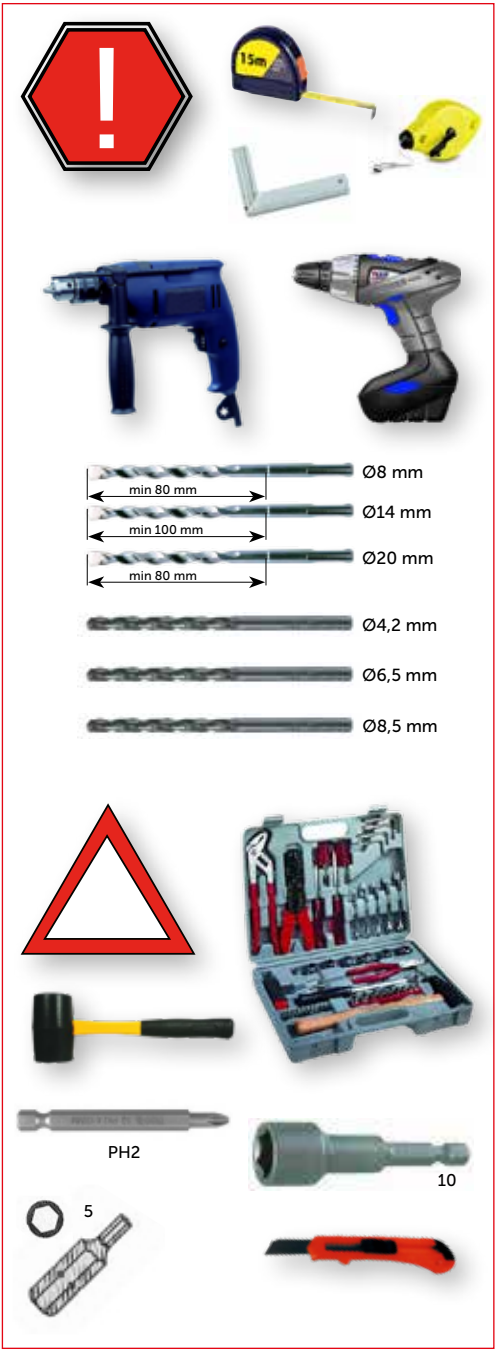
**IT**  
 Copertura per piscine: costruzione leggera. Installazione ALBIXON. Ne P. 300 da soli. L'installazione deve essere assicurata dal proprietario.

**LV**  
 Bāzēnu jumts: viegla konstrukcija. Instalācija ALBIXON. Ne P. 300 pašam. Instalācija jānodrošina ALBIXON.

**RO**  
 Acoperire pentru piscine: constructie usoara. Instalare ALBIXON. Ne P. 300 singur. Instalarea trebuie sa fie asigurata de proprietar.

**SE**  
 Pooltak: let konstruktion. Installation af ALBIXON. Ne P. 300 selv. Installationen skal udføres af ALBIXON.

**SK**  
 Bazénové zastrešenie: ľahká konštrukcia. Inštalácia ALBIXON. Nie P. 300 samostatne. Inštalácia musí byť zabezpečena ALBIXON.



TYP	PRODUKT
KL	SYDNEY - kolej vlevo
	SYDNEY - Rails on the left side only
	SYDNEY - einseitige Schiene links
	SYDNEY - rail d'un seul coté à gauche
	SYDNEY - в исполнении с рельсами с одной стороны - налево

TYP	PRODUKT
KP	SYDNEY - kolej vpravo
	SYDNEY - Rails on the right side only
	SYDNEY - einseitige Schiene rechts
	SYDNEY - rail d'un seul coté à droit
	SYDNEY - в исполнении с рельсами с одной стороны - направо

1SP11-01-032

DIN 7982  
4,8 x 13  
3x

1

2SZ12-03-021

2x

2

2SZ18-02-001D

4x

3

2SZ18-02-002D

4x

4

1SZ18-01-097

2x

5

1SP07-01-014

ø4 x 8  
4x

6

1SP07-01-001

ø4 x 10  
112x

7

1SZ03-01-035

DIN 914  
M6x14  
4x

8

1SP01-01-016

ø8 x 80  
28x

9

1SZ12-01-051

4x

10

1SZ29-01-008

4x

11

1SZ03-01-040

4x

12

1SP11-01-029

AN 9051  
6,3 x 50  
2x

13

1SP11-01-031

AN 9051  
6,3 x 70  
50x

14

1SP11-01-027

AN 9051  
6,3 x 38  
4x

15

1SP11-01-053

AN 9051 A4  
6,3 x 32  
22x

16



1NA03-01-050

1x

17

1CH02-01-011  
1SZ28-01-001

1x

18

1SZ01-02-007      1SP03-01-008      1SP11-01-010

a      b      c

9x      9x      27x

DIN 7982 TX  
5,5x45

Pouze pro dřevěné a dřevoplastové podlahy  
Only for wooden and wood-plastic floors  
Nur für Holz- und Holz-Kunststoffböden  
Uniquement pour les planchers en bois et en bois-plastique  
Только для деревянных и древесно-пластиковых полов

2Z06-03-SD001

9x

19

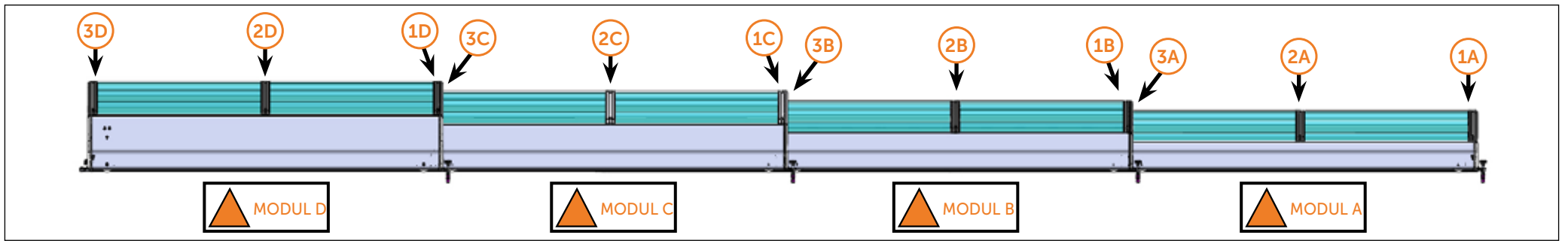
2Z06-03-SD004

6x

KEY

4x

20



2Z12-03-SM005D - 1A  
2Z12-03-SM006D - 2A  
2Z12-03-SM007D - 3A

MODUL A

1A	1x	21
2A	1x	22
3A	1x	23

2Z12-03-SM008D - 1B  
2Z12-03-SM009D - 2B  
2Z12-03-SM010D - 3B

MODUL B

1B	1x	24
2B	1x	25
3B	1x	26

2Z12-03-SM011D - 1C  
2Z12-03-SM012D - 2C  
2Z12-03-SM013D - 3C

MODUL C

1C	1x	27
2C	1x	28
3C	1x	29



2Z12-03-SM014D - 1D	
2Z12-03-SM015D - 2D	
2Z12-03-SM016D - 3D	
MODUL D	
1x	
1x	
1x	

Sydney BS/ Clear BS 2Z04-01-SD004	906 mm
Sydney B/ Clear B 2Z04-01-SD001	1041 mm

48x

Sydney BS/ Clear BS 2Z05-01-SD005	906 mm
Sydney B/ Clear B 2Z05-01-SD001	1041 mm

8x

2Z01-01-SD045

3230 mm
1x

2Z01-01-SD053 - Sydney BS  
2Z01-01-SD047 - Sydney B

Sydney BS/ Clear BS	1110 mm
Sydney B/ Clear	2190 mm

1x





2Z01-01-SD049

<b>D</b>
3230 mm
1x
<b>42</b>

2Z01-01-SD002

<b>D</b>
3230 mm
4x
<b>43</b>

2Z01-01-SD054 - Sydney BS  
2Z01-01-SD043 - Sydney B

Sydney BS/ Clear BS	1110 mm
Sydney B/ Clear	2190 mm
<b>B</b>	
2x	
<b>44</b>	

**MODUL A**

2Z12-03-DP020

215 mm
1x
<b>45</b>

**MODUL D**

2Z12-03-DP018

397 mm
1x
<b>46</b>

**MODUL A**

2Z12-03-DP019

4049 mm
1x
<b>47</b>


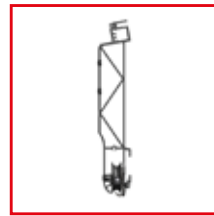
**MODUL D**

2Z12-03-DP017

4469 mm
1x
<b>48</b>



**MODUL D**


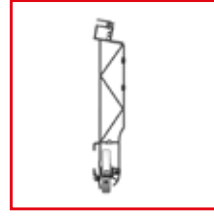



Sydney BS/ Clear BS 2Z02-09-SR017	1880 mm
Sydney B/ Clear B 2Z02-09-SR007	2150 mm

1x

**50**

**MODUL D**

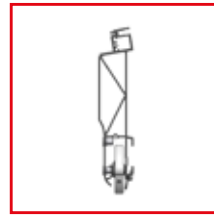



Sydney BS/ Clear BS 2Z02-09-SR018	1880 mm
Sydney B/ Clear B 2Z02-09-SR008	2150 mm

1x

**51**

**MODUL C**


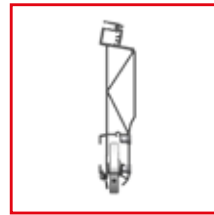



Sydney BS/ Clear BS 2Z02-09-SR015	1880 mm
Sydney B/ Clear B 2Z02-09-SR005	2150 mm

1x

**52**

**MODUL C**


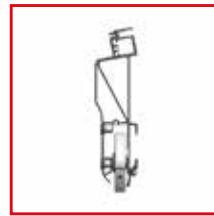
Sydney BS/ Clear BS 2Z02-09-SR016	1880 mm
Sydney B/ Clear B 2Z02-09-SR006	2150 mm

1x

**53**



**MODUL B**


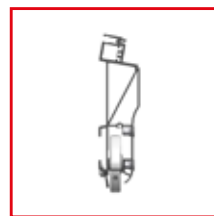



Sydney BS/ Clear BS 2Z02-09-SR013	1880 mm
Sydney B/ Clear B 2Z02-09-SR003	2150 mm

1x

**54**

**MODUL B**

Sydney BS/ Clear BS 2Z02-09-SR014	1880 mm
Sydney B/ Clear B 2Z02-09-SR004	2150 mm

1x

**55**

**MODUL A**






Sydney BS/ Clear BS 2Z02-09-SR011	1880 mm
Sydney B/ Clear B 2Z02-09-SR001	2150 mm

1x

**56**

**MODUL A**

Sydney BS/ Clear BS 2Z02-09-SR012	1880 mm
Sydney B/ Clear B 2Z02-09-SR002	2150 mm

1x

**57**



Sydney BS/ Clear BS 2Z02-09-SD028	1880 mm
Sydney B/ Clear B 2Z02-09-SD027	2150 mm

8x
58

2Z12-02-DK010 - Sydney BS  
2Z12-03-DK010 - Sydney B  
2Z12-06-DK010 - Sydney BS Clear  
2Z12-07-DK010 - Sydney B Clear

Sydney BS/ Clear BS	2040 x 915 mm
Sydney B/ Clear B	2040 x 1050 mm

4x

60

2Z12-02-DK011 - Sydney BS  
2Z12-03-DK011 - Sydney B  
2Z12-06-DK011 - Sydney BS Clear  
2Z12-07-DK011 - Sydney B Clear

Sydney BS/ Clear BS	2110 x 915 mm
Sydney B/ Clear B	2110 x 1050 mm

4x

61

2Z12-02-DK012 - Sydney BS  
2Z12-03-DK012 - Sydney B  
2Z12-06-DK012 - Sydney BS Clear  
2Z12-07-DK012 - Sydney B Clear

Sydney BS/ Clear BS	2180 x 915 mm
Sydney B/ Clear B	2180 x 1050 mm

4x

62

2Z12-02-DK013 - Sydney BS  
2Z12-03-DK013 - Sydney B  
2Z12-06-DK013 - Sydney BS Clear  
2Z12-07-DK013 - Sydney B Clear

Sydney BS/ Clear BS	2251 x 915 mm
Sydney B/ Clear B	2251 x 1050 mm

4x

63

2Z12-03-DK003  
2Z12-03-DK004

2x

64

2Z12-11-DK001  
2Z12-11-DK002

2x

65



2Z12-03-DO009

2x

66

**MODUL A**

2Z12-03-DO008

2x

67

**MODUL D**

## ⚠ only SYDNEY CLEAR ⚠

2Z12-06-DO010 - Sydney BS Clear  
2Z12-07-DO010 - Sydney B Clear

Sydney Clear B/BS	2040 mm
Sydney Clear B	1030 mm
Sydney Clear BS	915 mm

8x

68

**MODUL A**

2Z12-06-DO011 - Sydney BS Clear  
2Z12-07-DO011 - Sydney B Clear

Sydney Clear B/BS	2110 mm
Sydney Clear B	1030 mm
Sydney Clear BS	915 mm

8x

69

**MODUL B**

2Z12-06-DO012 - Sydney BS Clear  
2Z12-07-DO012 - Sydney B Clear

Sydney Clear B/BS	2180 mm
Sydney Clear B	1030 mm
Sydney Clear BS	915 mm

8x

70

**MODUL C**

2Z12-06-DO013 - Sydney BS Clear  
2Z12-07-DO013 - Sydney B Clear













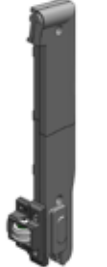
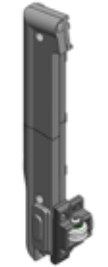
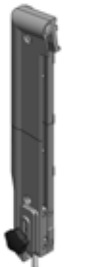
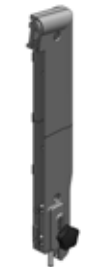
Sydney Clear B/BS	2251mm
Sydney Clear B	1030 mm
Sydney Clear BS	915 mm

8x

71

**MODUL D**




<b>MODUL A</b>  2Z09-01-SD016 1x <b>72</b>	<b>MODUL A</b>  2Z09-01-SD017 1x <b>73</b>	<b>MODUL A</b>  2Z09-01-SD018 1x <b>74</b>	<b>MODUL A</b>  2Z09-01-SD019 1x <b>75</b>
<b>MODUL B</b>  2Z09-01-SD012 1x <b>76</b>	<b>MODUL B</b>  2Z09-01-SD013 1x <b>77</b>	<b>MODUL B</b>  2Z09-01-SD014 1x <b>78</b>	<b>MODUL B</b>  2Z09-01-SD015 1x <b>79</b>
<b>MODUL C</b>  2Z09-01-SD058 1x <b>80</b>	<b>MODUL C</b>  2Z09-01-SD059 1x <b>81</b>	<b>MODUL C</b>  2Z09-01-SD060 1x <b>82</b>	<b>MODUL C</b>  2Z09-01-SD061 1x <b>83</b>
<b>MODUL D</b>  2Z09-01-SD054 1x <b>84</b>	<b>MODUL D</b>  2Z09-01-SD055 1x <b>85</b>	<b>MODUL D</b>  2Z09-01-SD056 1x <b>86</b>	<b>MODUL D</b>  2Z09-01-SD057 1x <b>87</b>






2Z09-01-SD020



1x

88


2Z09-01-SD021



1x

89


2Z09-01-SD003



6x

90


1SP10-01-077



DIN 912  
M 5x65  
4x

91


1SP10-01-084



ISO 7380  
M 6x20  
12x

92


1SZ18-02-010



8x

93


1SZ18-02-012



16x

94


1SP11-01-049



AN 9051  
4,8x60  
24x

95


1SP10-01-078



DIN 912  
M 6x65  
16x

96


1SP10-01-082



DIN 912  
M 6x100  
16x

97


1SZ03-01-038



8x

98


1SZ03-01-030



16x

99

1SZ12-01-010



28x

100

2Z06-03-SD003



2x

102


1SZ12-01-052



4x

104


1SP11-01-050



AN 9051  
4,8x19  
2x

105

1SZ04-01-019    1SZ04-01-026    1SP10-01-116    1SP08-01-015



A    B    C    D


DIN 912  
M8x20

DIN 440R  
M8

2x

106


1SZ12-03-020



1x

107

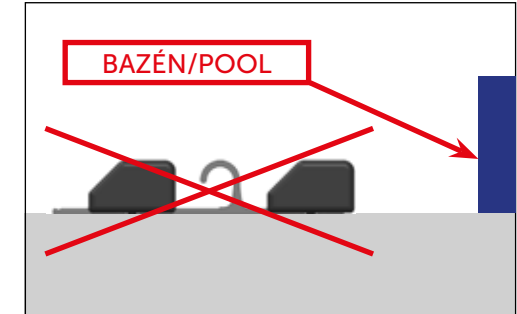
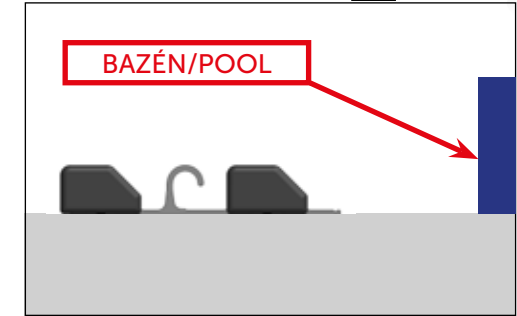
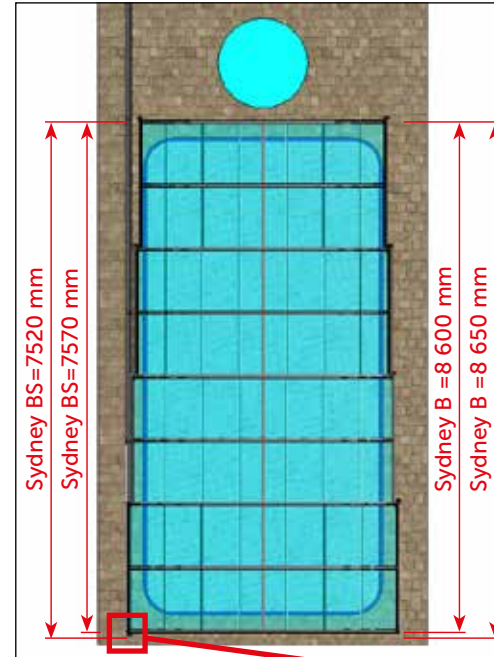
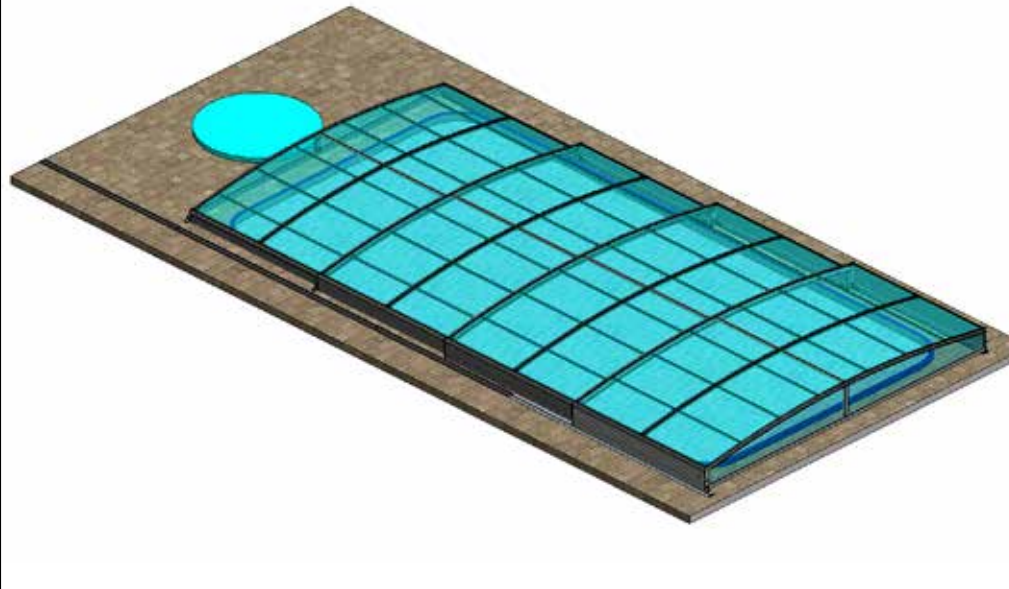
1SP10-01-025



DIN912  
M6x25  
10x

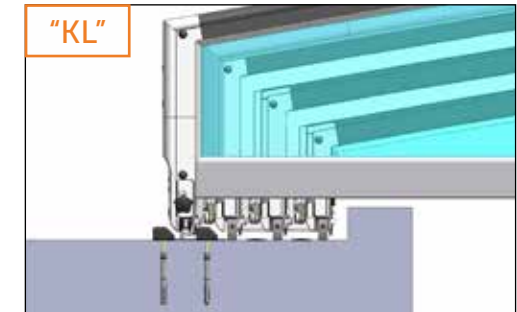
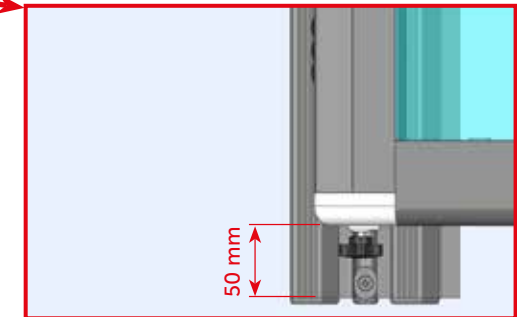
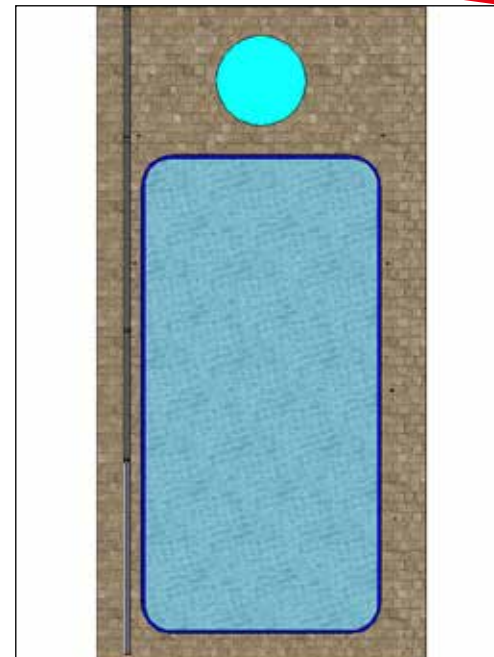
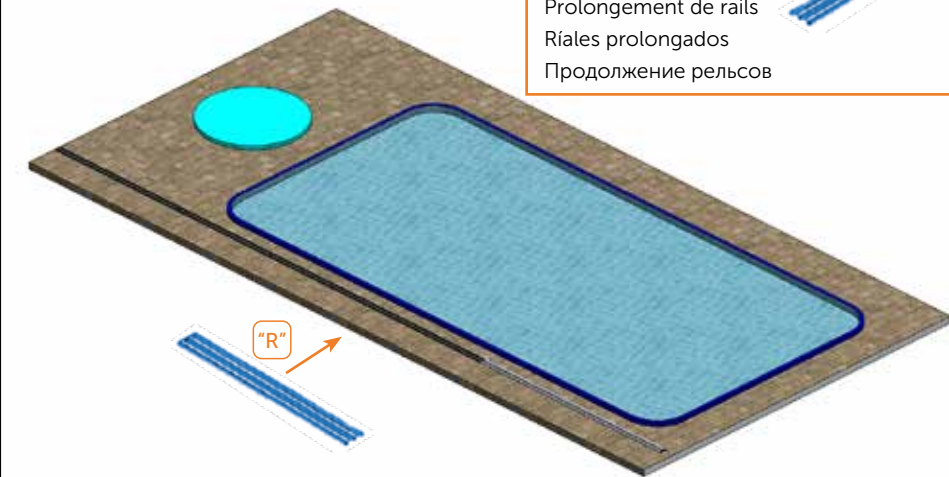
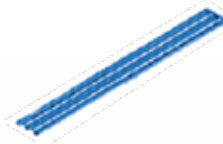
108

### OPTIONAL "KL"

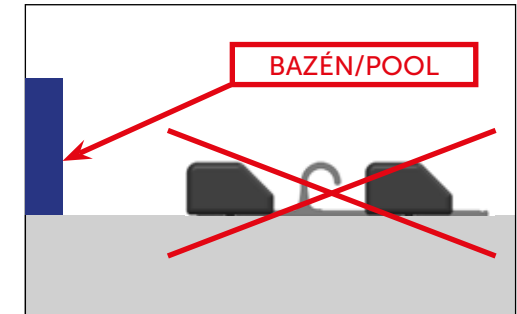
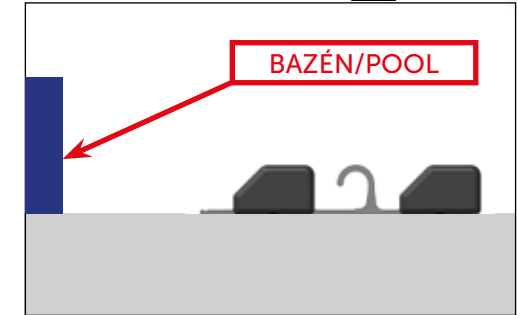
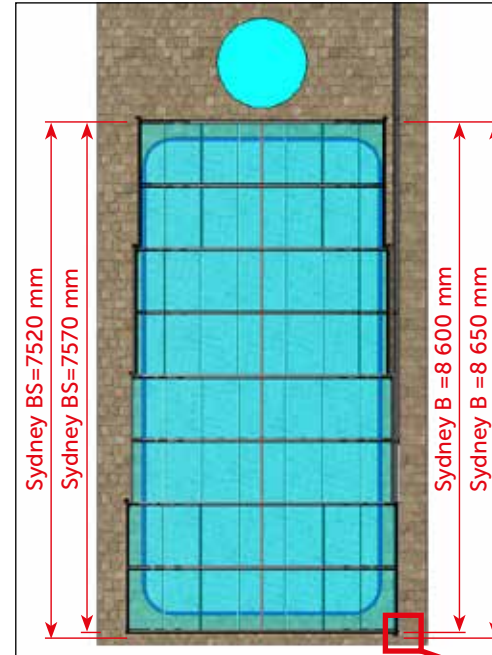
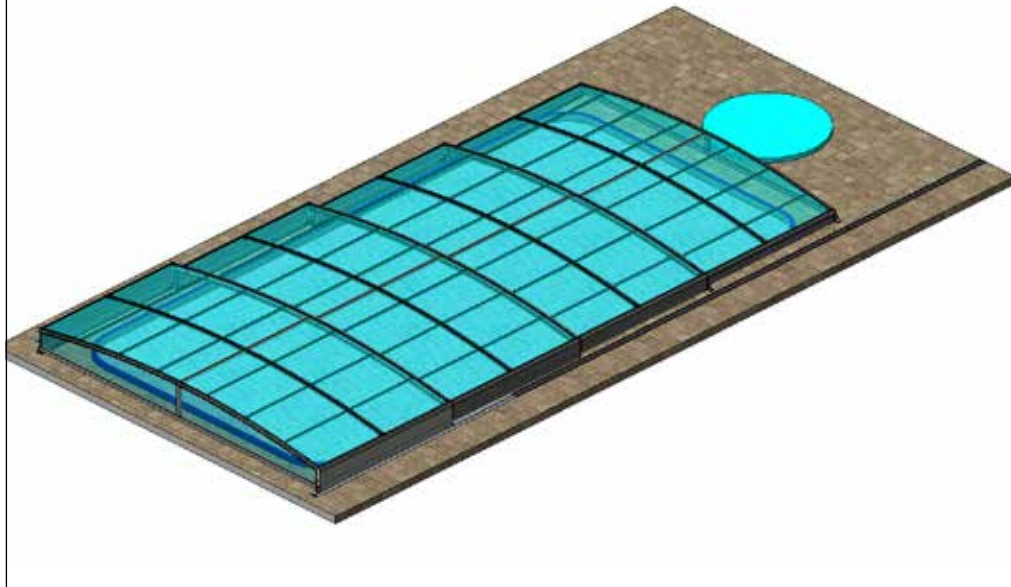


### OPTIONAL "R"

- Prodloužení kolejí
- Rail extension
- Schienenverlängerung
- Prolongement de rails
- Riales prolongados
- Продолжение рельсов

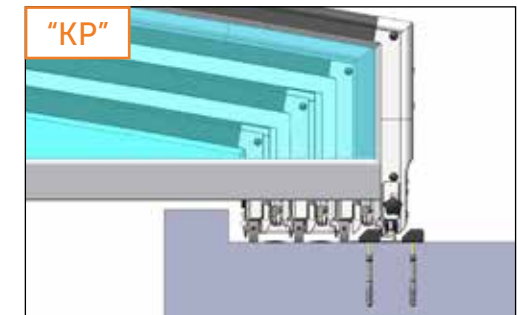
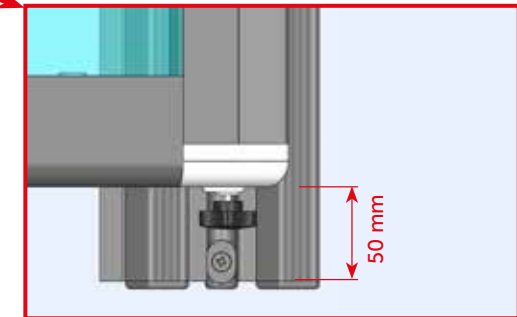
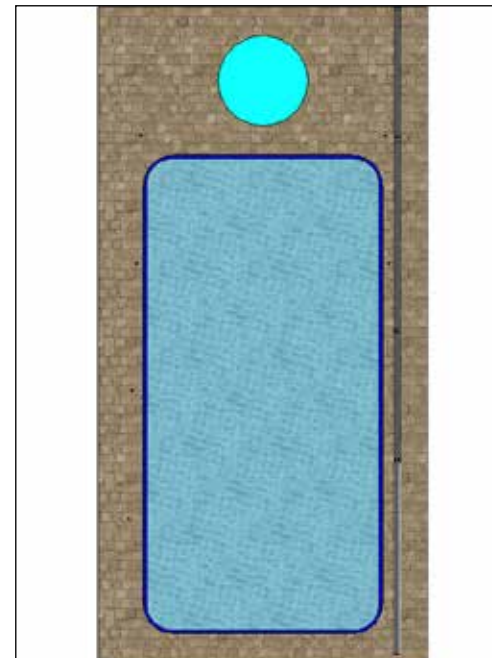
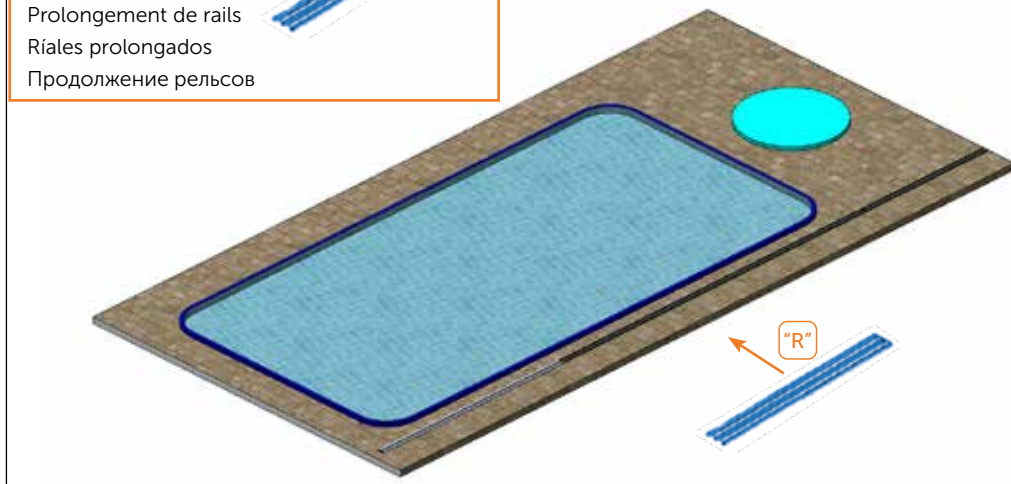
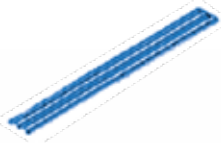


## OPTIONAL "KP"

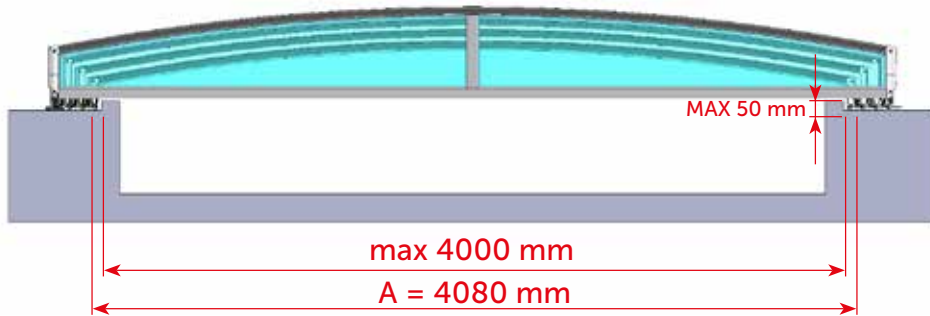


## OPTIONAL "R"

- Prodloužení koleji
- Rail extension
- Schienenverlängerung
- Prolongement de rails
- Riales prolongados
- Продолжение рельсов

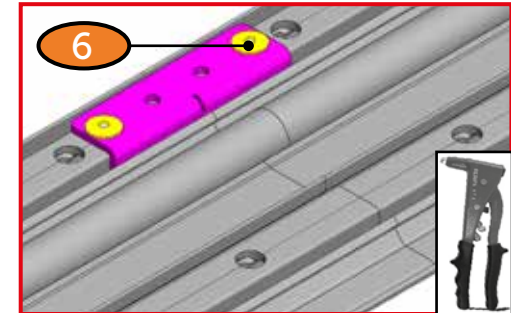
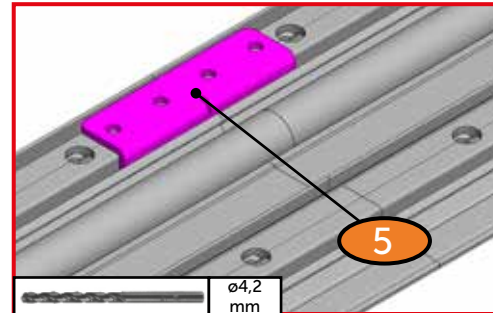
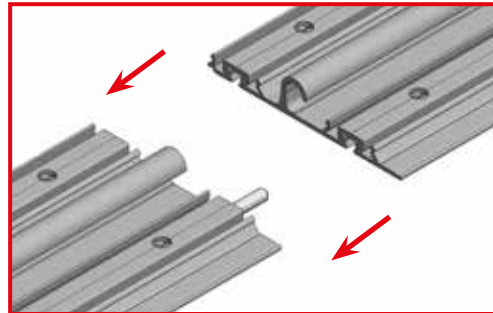
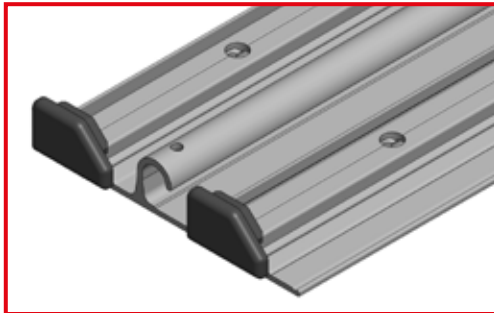
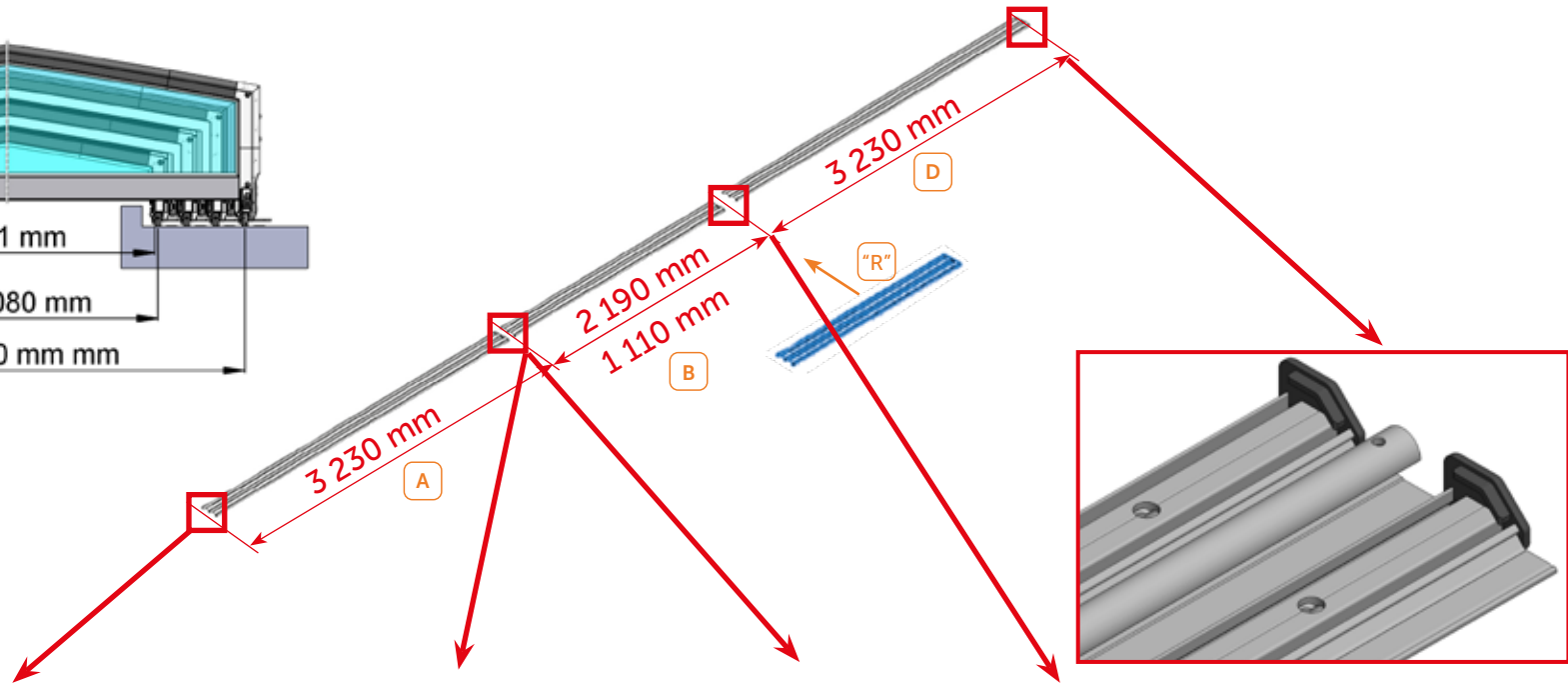
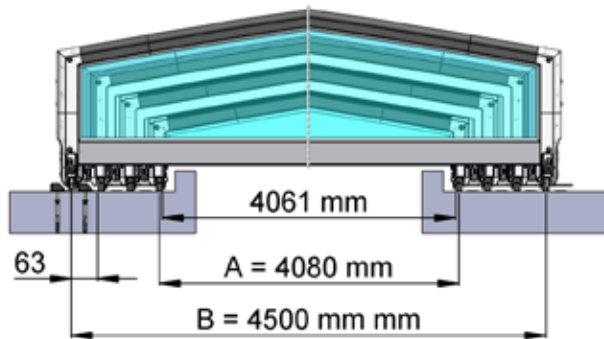


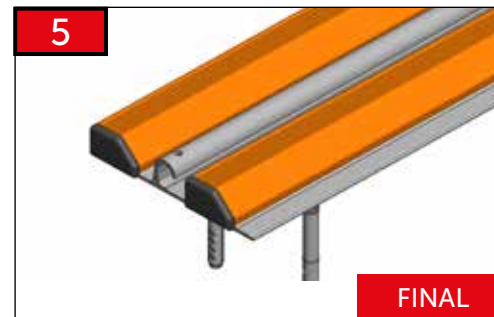
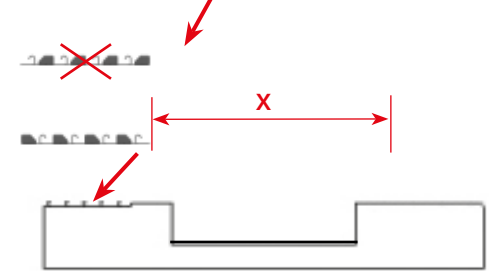
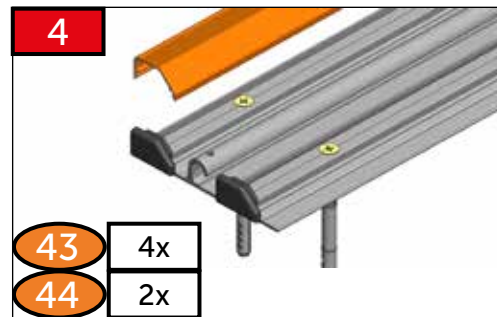
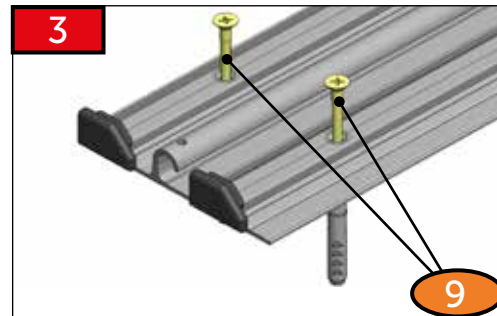
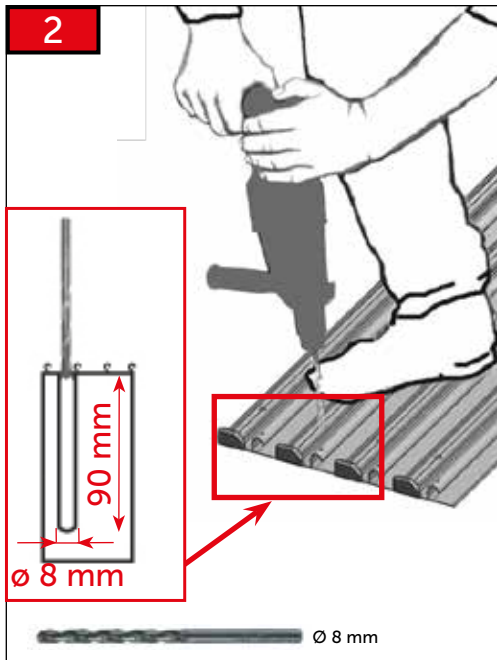
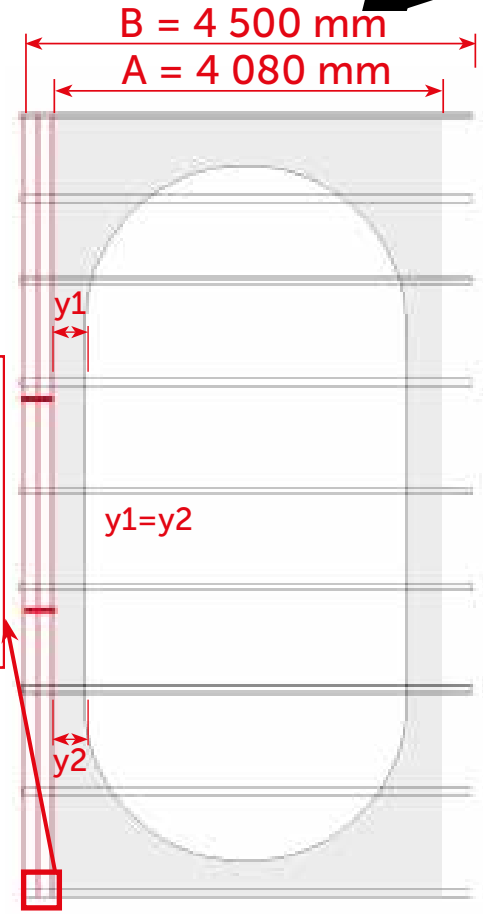
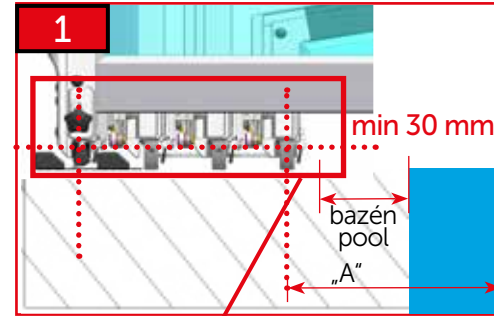
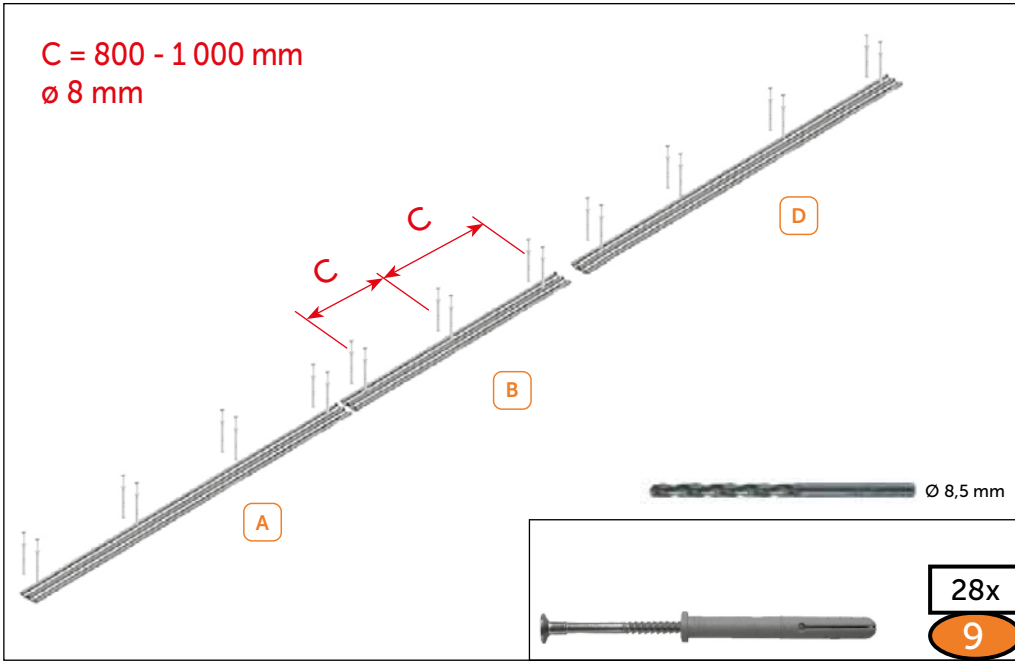




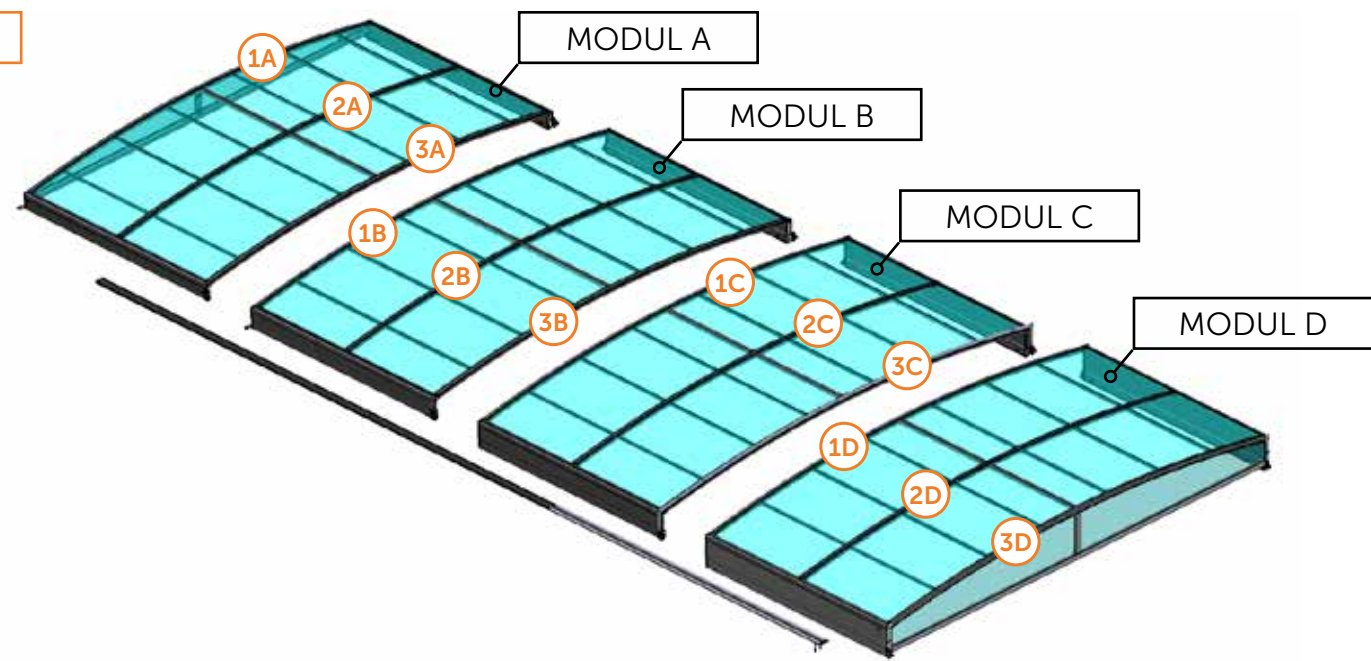
**OPTIONAL**

Prodloužení kolejí  
 Rail extension  
 Schienenverlängerung  
 Prolongement de rails  
 Ríales prolongados  
 Продолжение рельсов

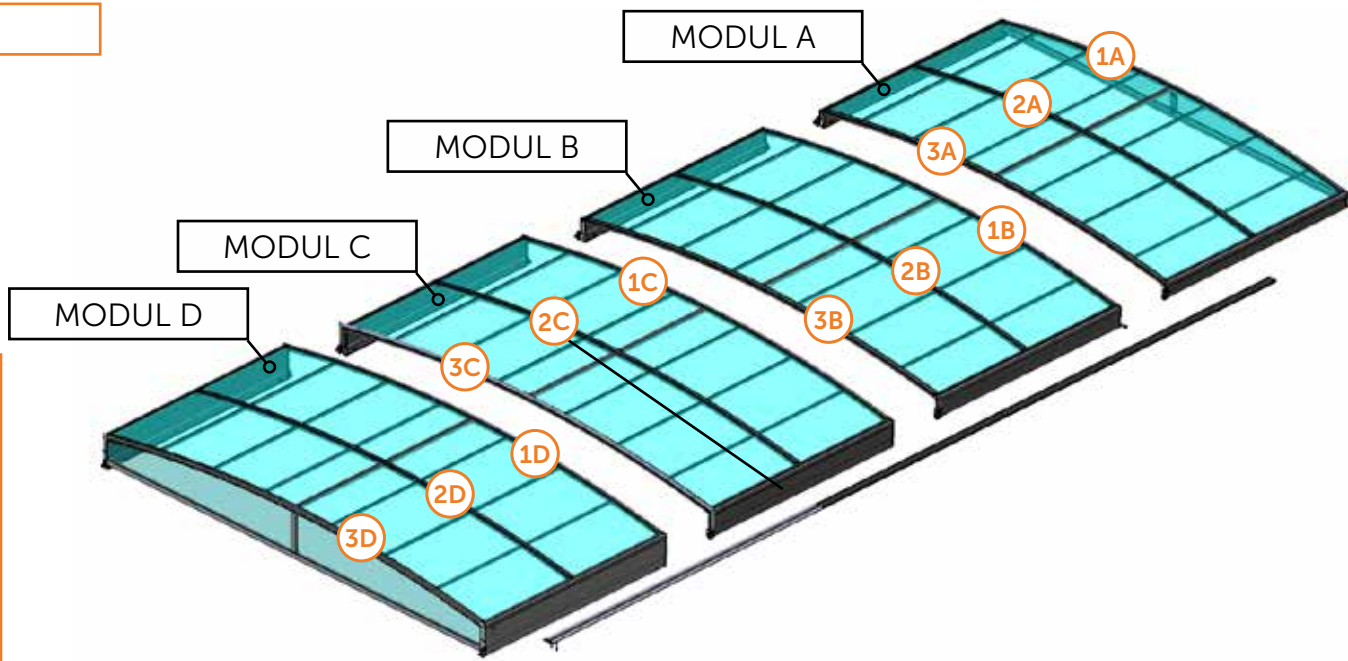




OPTIONAL "KL" - STANDARD



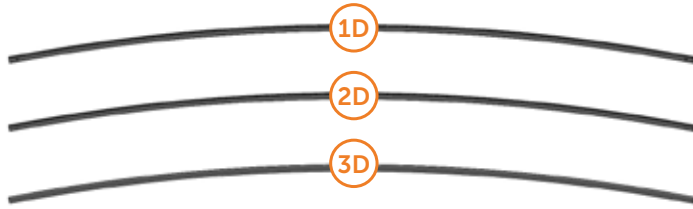
OPTIONAL "KP"



**MODUL D**

KL → KP  
 = výměna koleček v profilech  
 = changing wheels in profiles  
 = Radwechsel in Profilen  
 = changement de roues dans les profils  
 = смена колес в профилях





1SP07-01-001

ø4 x 10

28x

7

1SZ03-01-035

DIN 914

M6x14

2x

8

1SZ29-01-008

2x

11

1SZ03-01-040

2x

12

1SP11-01-029

AN 9051

6,3 x 50

1x

13

1SP11-01-031

AN 9051

6,3 x 70

13x

14

1SP11-01-027

AN 9051

6,3 x 38

2x

15

1SP11-01-053

AN 9051 A4

6,3 x 32

4x

16

1NA03-01-050

1x

17

Sydney BS/ Clear BS 2Z04-01-SD004	906 mm
Sydney B/ Clear B 2Z04-01-SD001	1041 mm

12x

36

Sydney BS/ Clear BS 2Z05-01-SD005	906 mm
Sydney B/ Clear B 2Z05-01-SD001	1041 mm

2x

37

2Z12-03-DP018

397 mm

1x

46

2Z12-03-DP017

4469 mm

1x

48

OPTIONAL "KL" - STANDARD

Sydney BS/ Clear BS 2Z02-09-SR017	1880 mm
Sydney B/ Clear B 2Z02-09-SR007	2150 mm

1x

50

OPTIONAL "KL" - STANDARD

Sydney BS/ Clear BS 2Z02-09-SR018	1880 mm
Sydney B/ Clear B 2Z02-09-SR008	2150 mm

1x

51

Sydney BS/ Clear BS 2Z02-09-SD028	1880 mm
Sydney B/ Clear B 2Z02-09-SD027	2150 mm

2x

58

Sydney BS/ Clear BS	2251 x 915 mm
Sydney B/ Clear B	2251 x 1050 mm

MODUL D

4x

63

2x

65

2x

67

2Z09-01-SD056

1x

86


2Z09-01-SD057

1x

87




2Z09-01-SD020



1x

88


2Z09-01-SD021



1x

89

1SP10-01-077




DIN 912  
M 5x65

2x

91

1SP10-01-084




ISO 7380  
M 6x20

2x

92


1SZ18-02-010



2x

93


1SZ18-02-012



4x

94

1SP11-01-049




AN 9051  
4,8x60

6x

95

1SP10-01-078




DIN 912  
M 6x65

4x

96

1SP10-01-082




DIN 912  
M 6x100

4x

97


1SZ03-01-038



2x

98


1SZ03-01-030



4x

99


1SZ12-01-010



8x

100


1SZ12-01-052



2x

104

1SP11-01-050




AN 9051  
4,8x19

2x

105

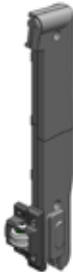
1SZ12-01-051



2x

10

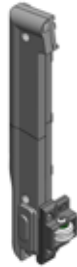
2Z09-01-SD054



1x

84


2Z09-01-SD055



1x

85

1SP10-01-025



DIN912  
M6x25

4x

108

OPTIONAL "KL"

2SZ18-02-001D



1x

3

OPTIONAL "KP"

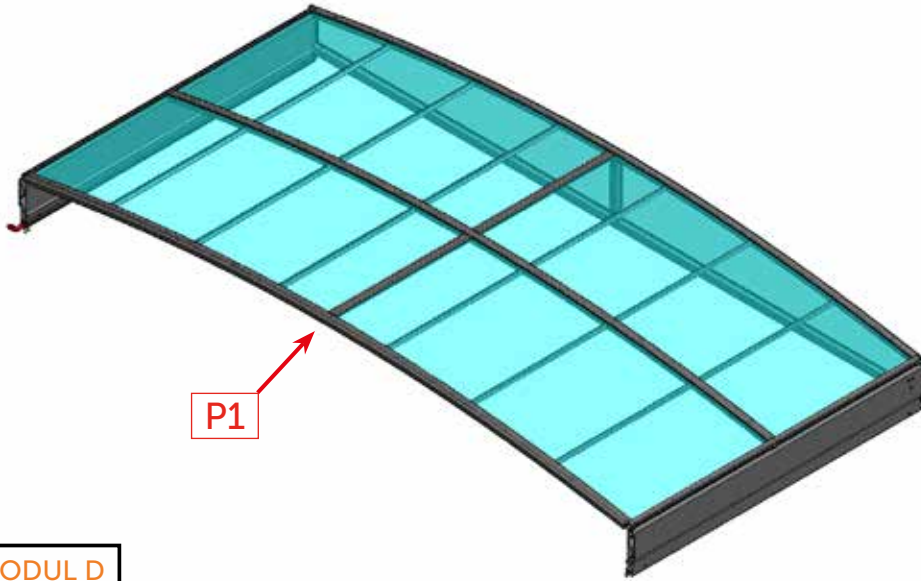
2SZ18-02-002D



1x

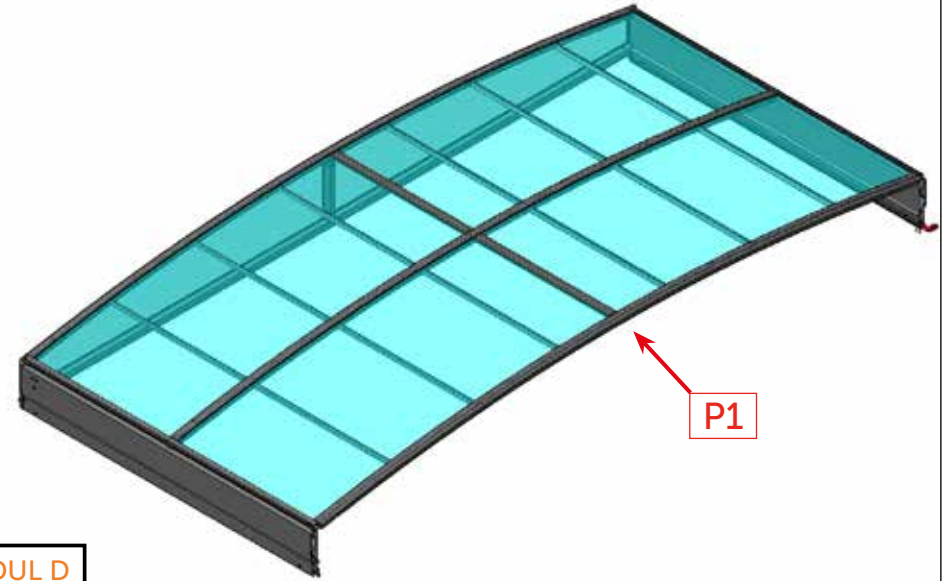
4

### OPTIONAL "KL" - STANDARD

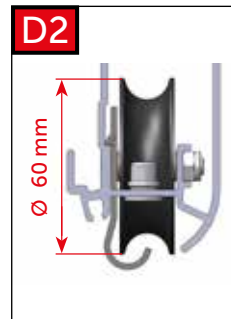
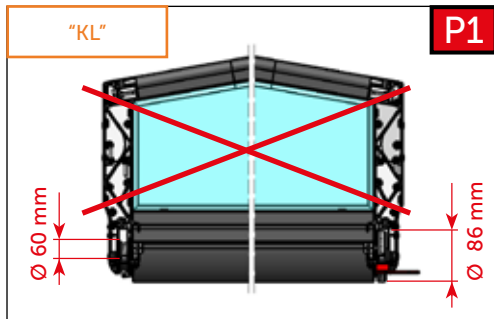
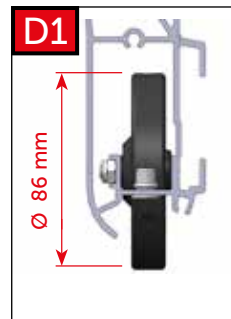
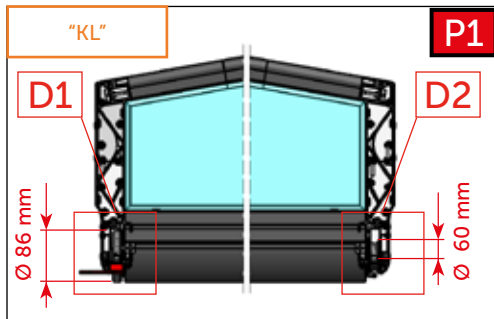


MODUL D

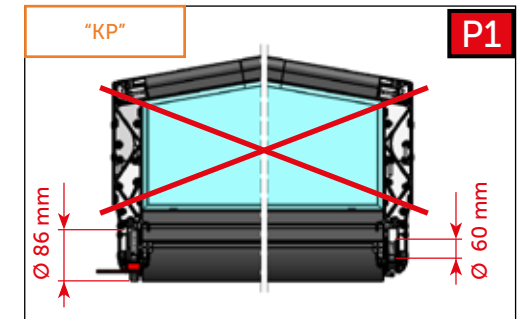
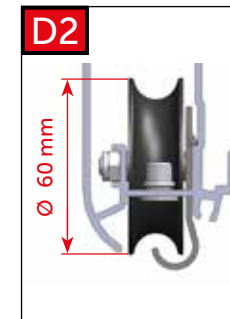
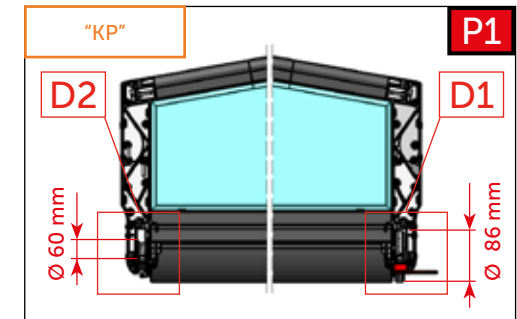
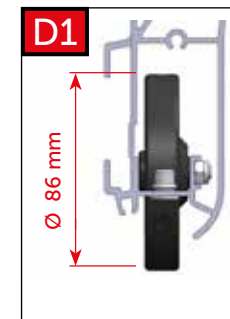
### OPTIONAL "KP"



MODUL D



KL → KP  
 = výměna koleček v profilech  
 = changing wheels in profiles  
 = Radwechsel in Profilen  
 = changement de roues dans les profils  
 = смена колес в профилях



**1** KL → KP

**1a**

- = demontáž
- = disassembly
- = Demontage
- = démontage
- = удаление

**1x**  
**50**

**1**

**4a**

- = demontáž
- = disassembly
- = Demontage
- = démontage
- = удаление

**1x**  
**51**

**1a**

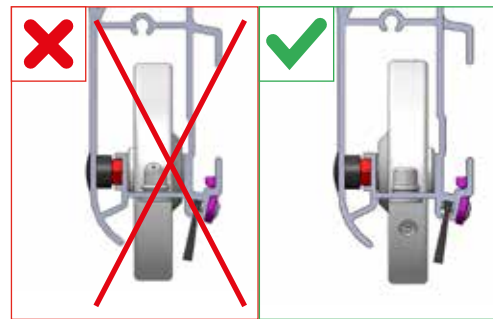
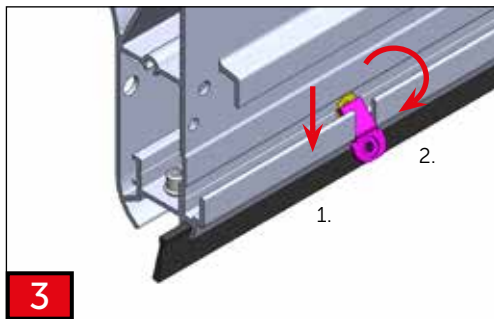
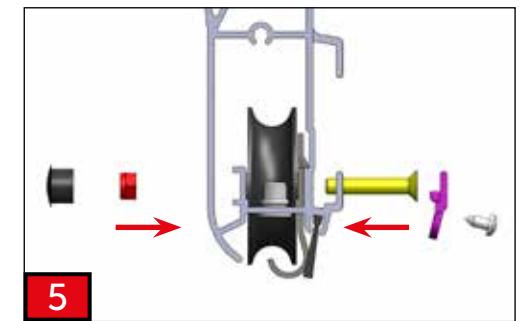
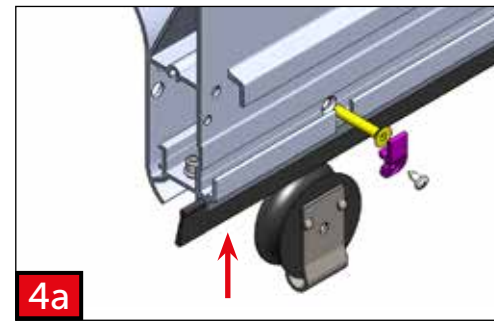
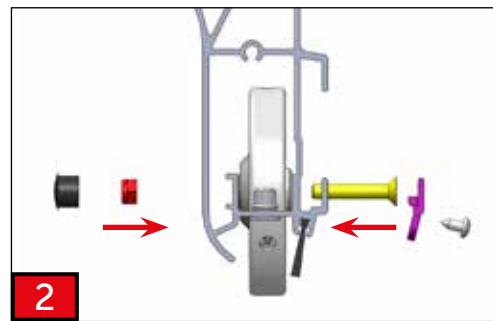
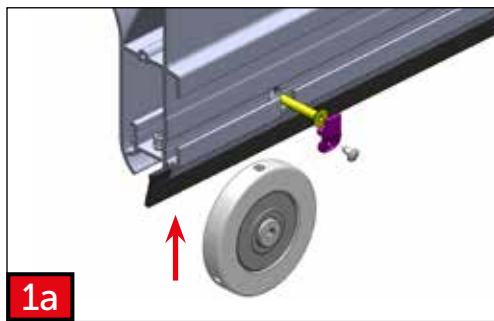
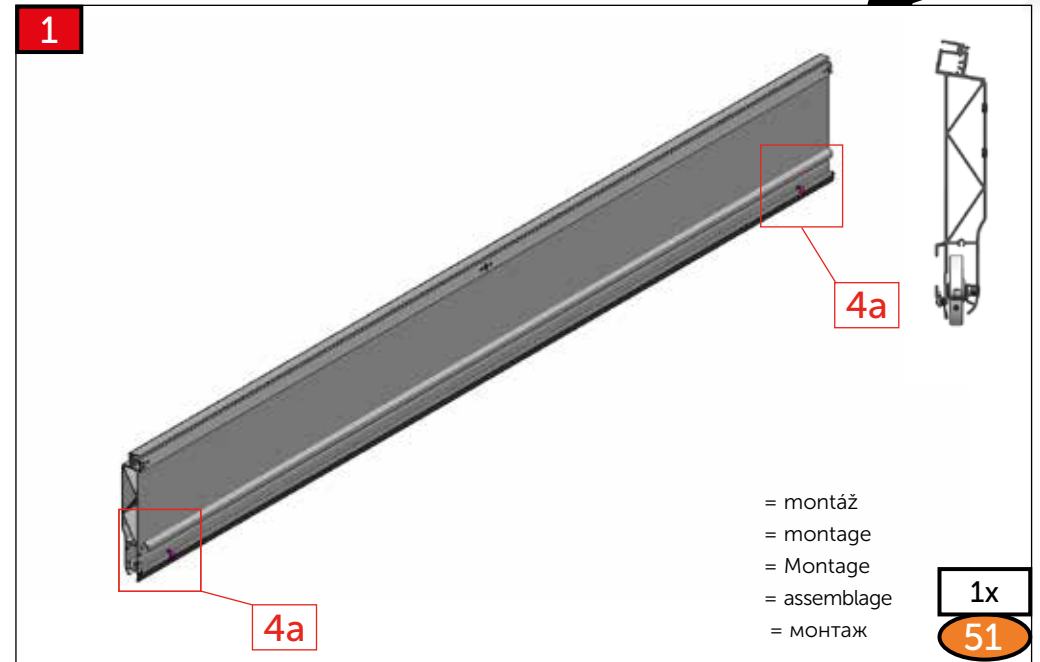
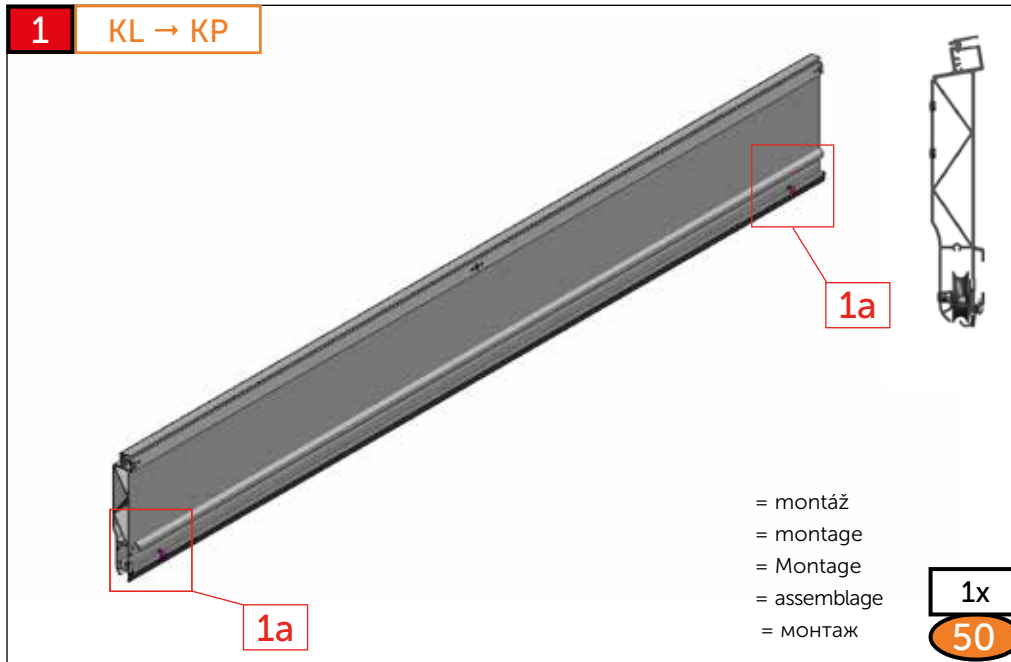
**2**

1.  
2.

**4a**

**5**

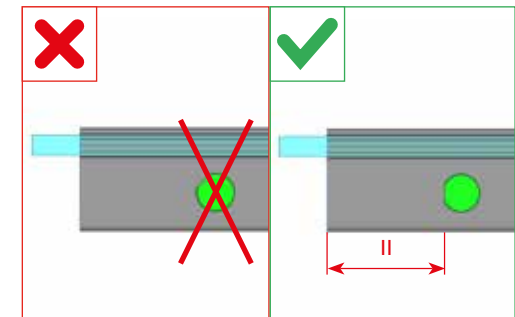
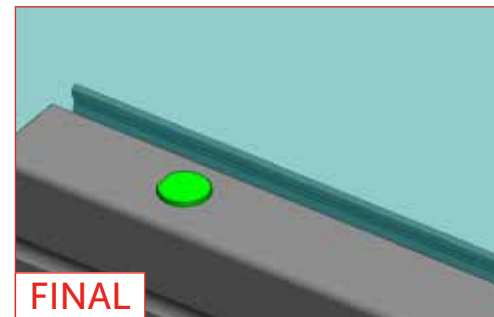
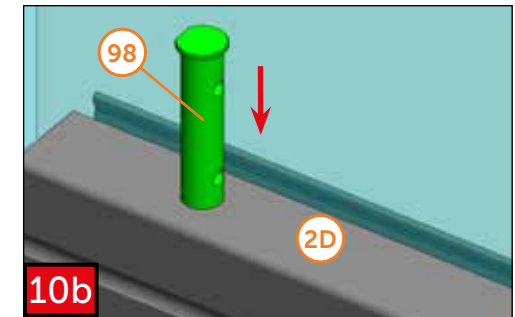
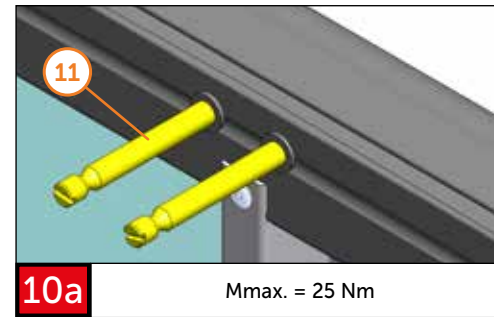
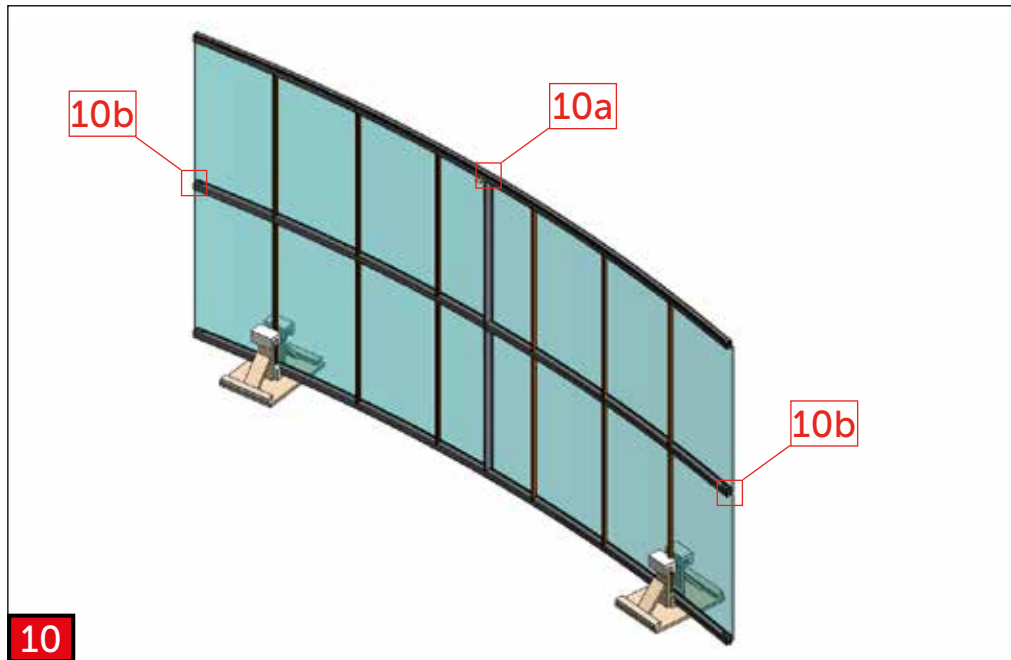
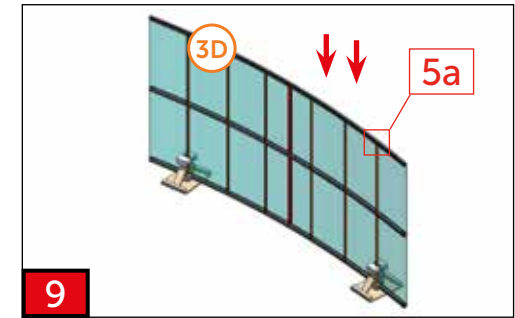
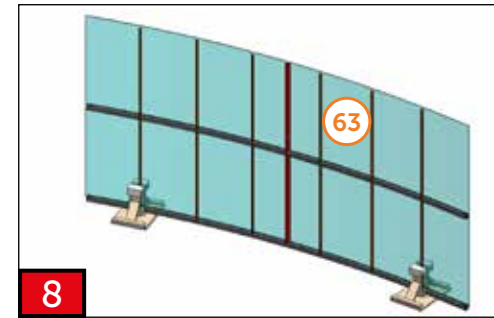
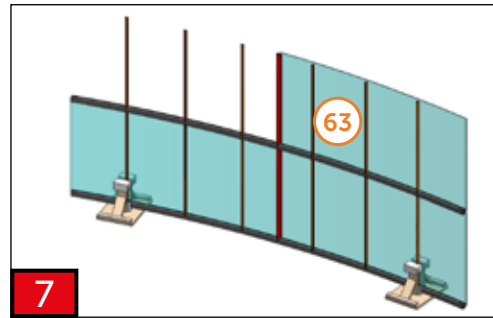
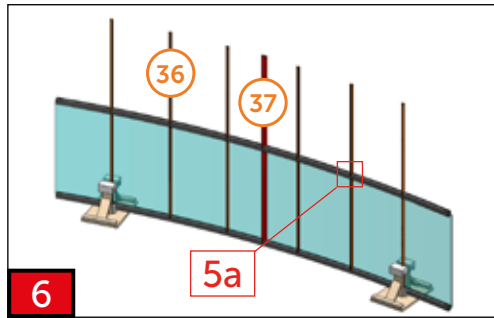
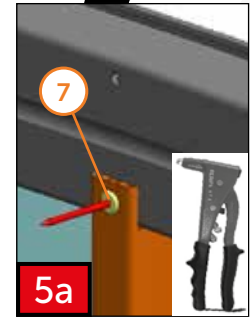
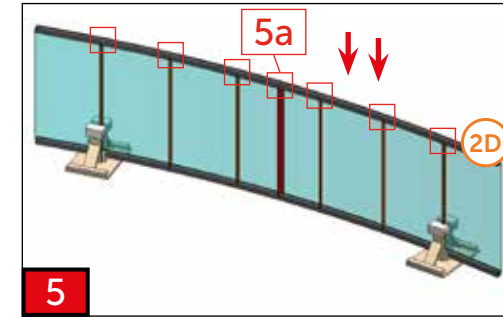
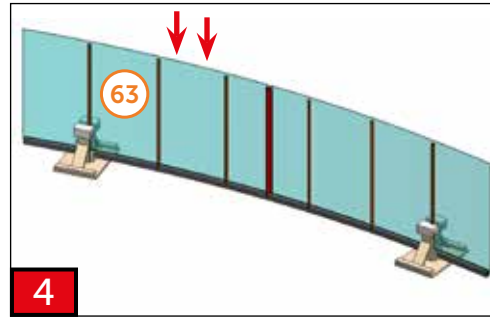
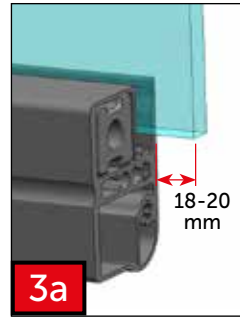
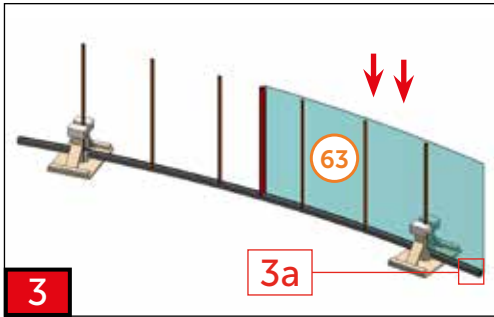
**3**

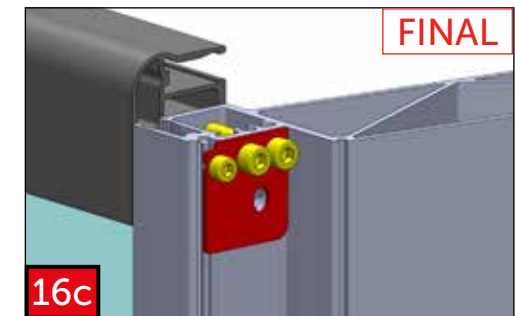
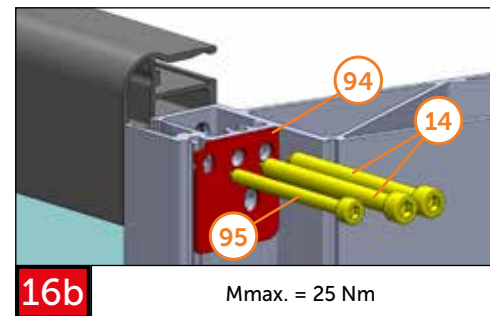
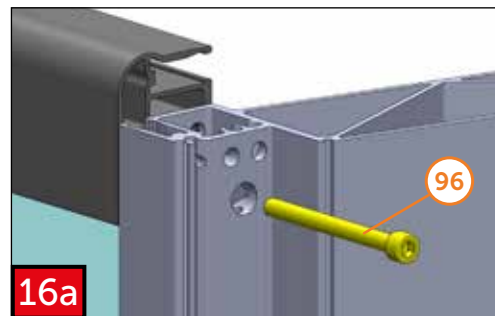
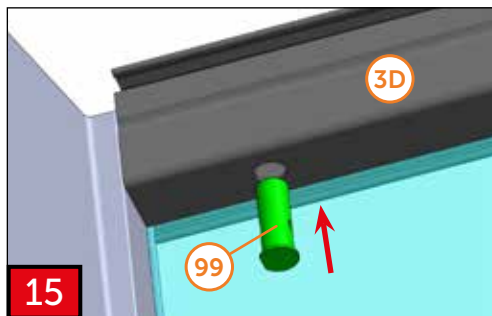
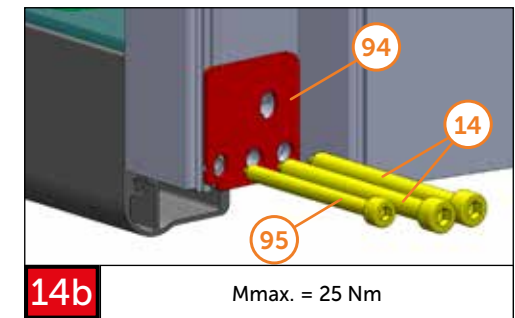
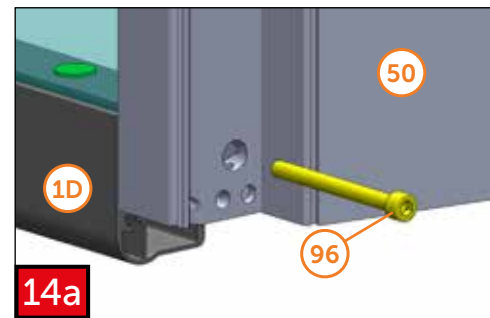
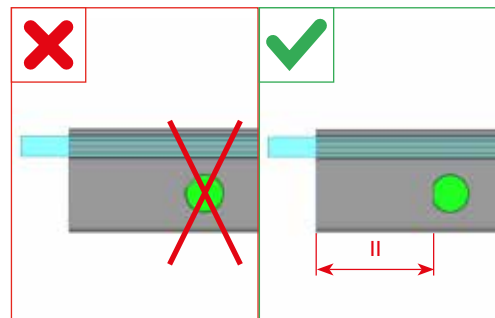
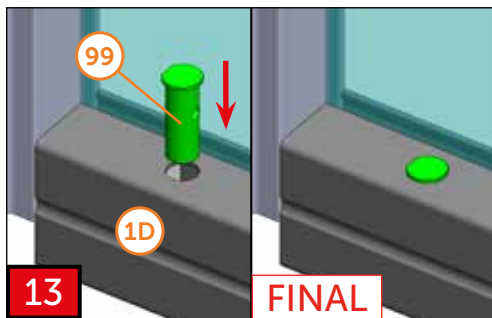
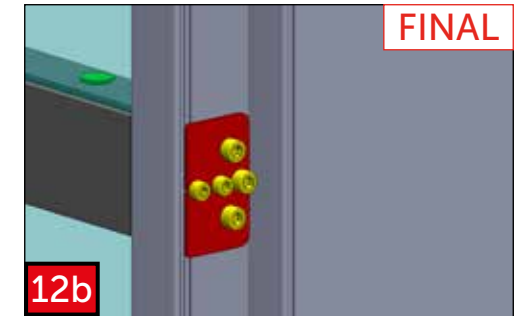
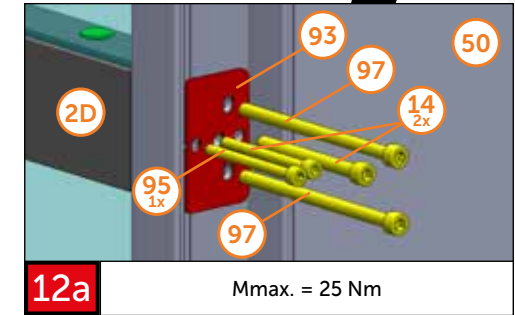
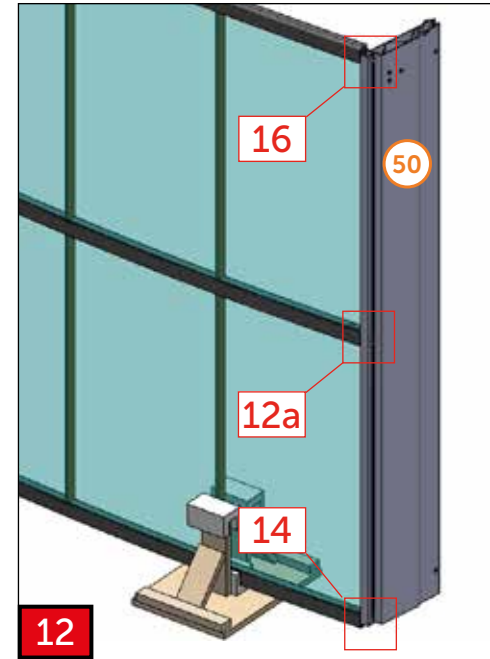
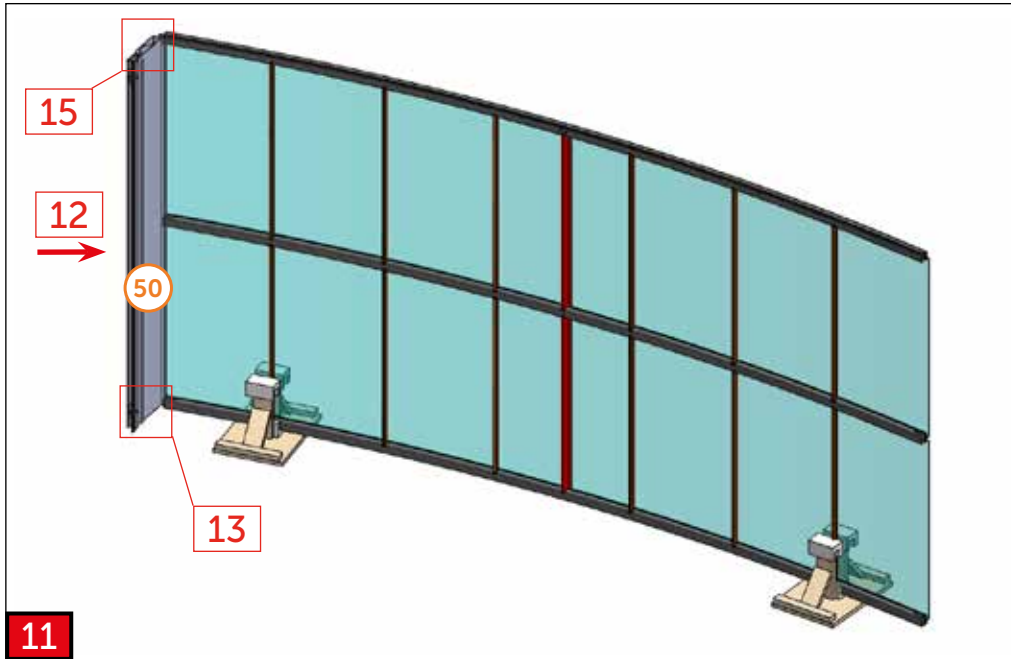


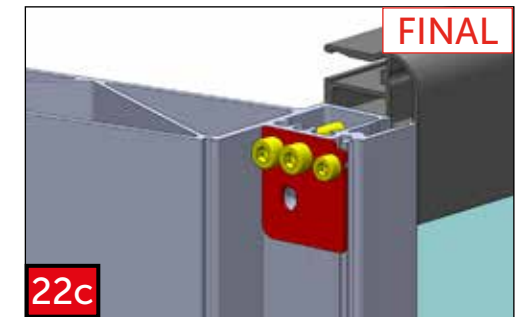
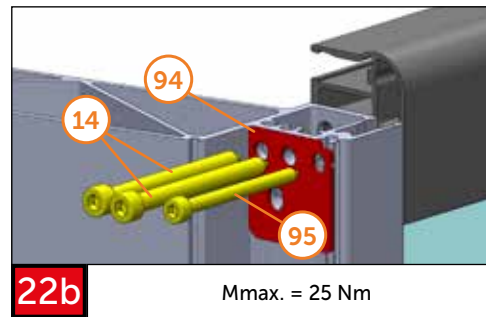
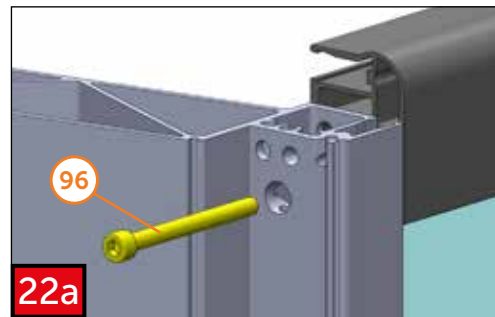
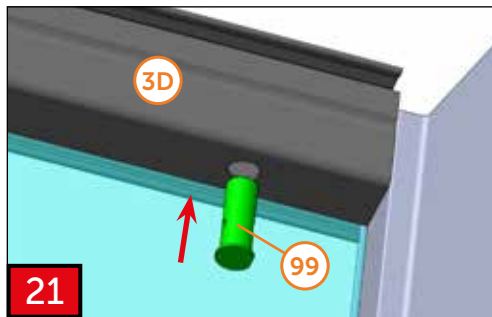
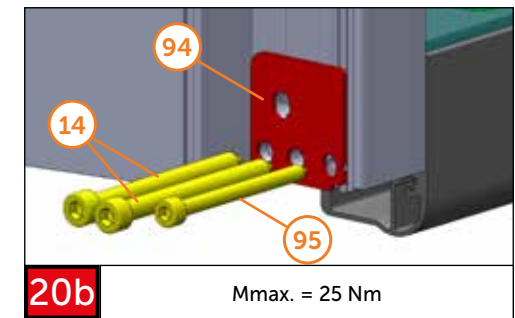
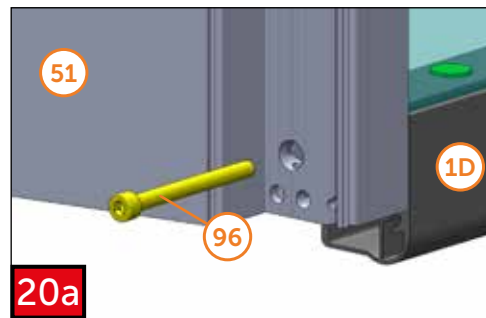
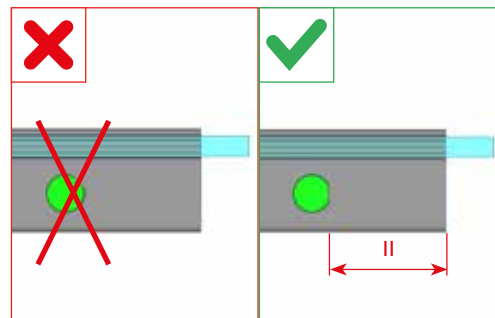
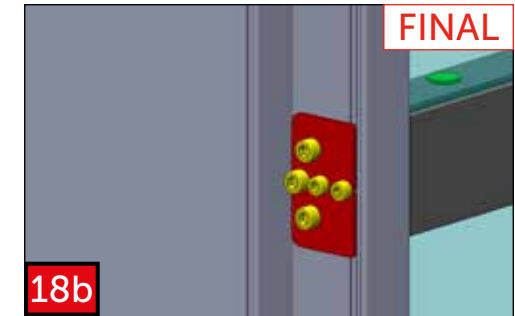
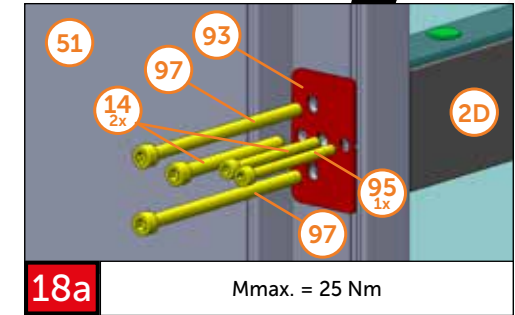
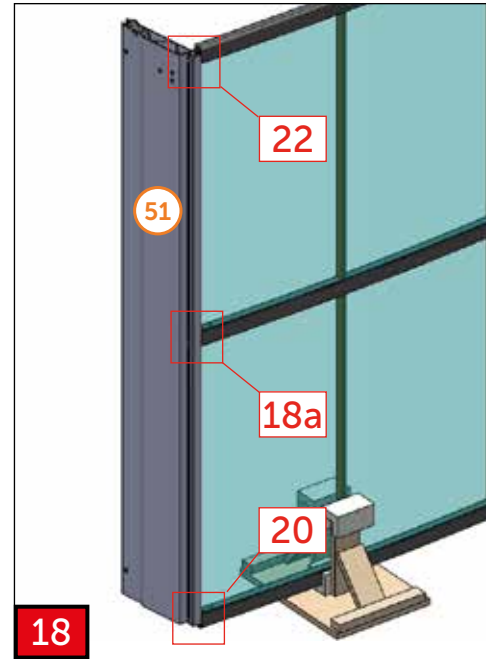
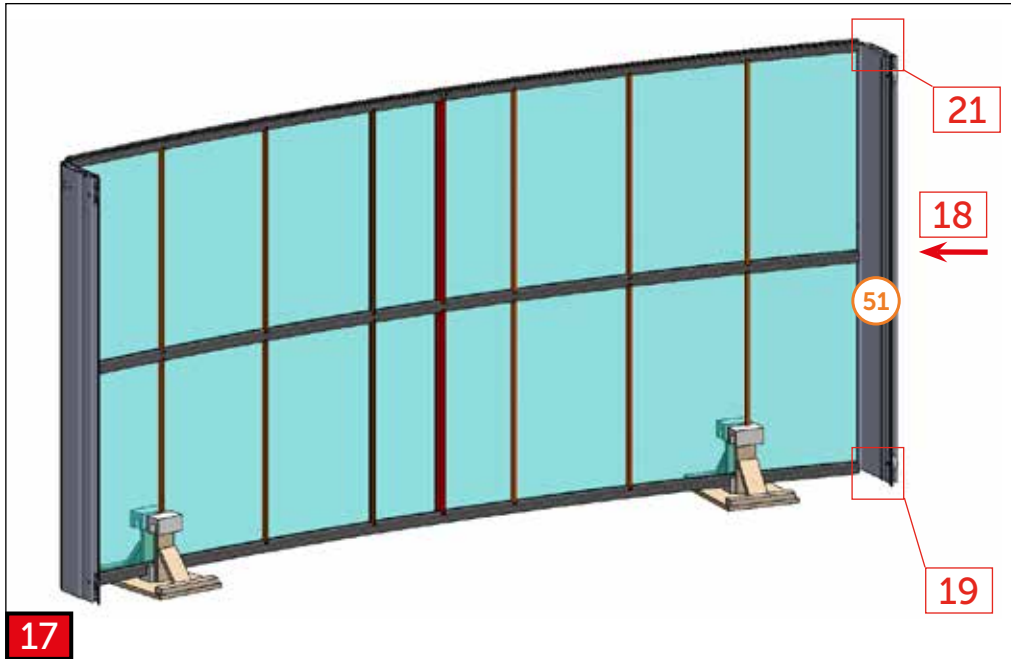


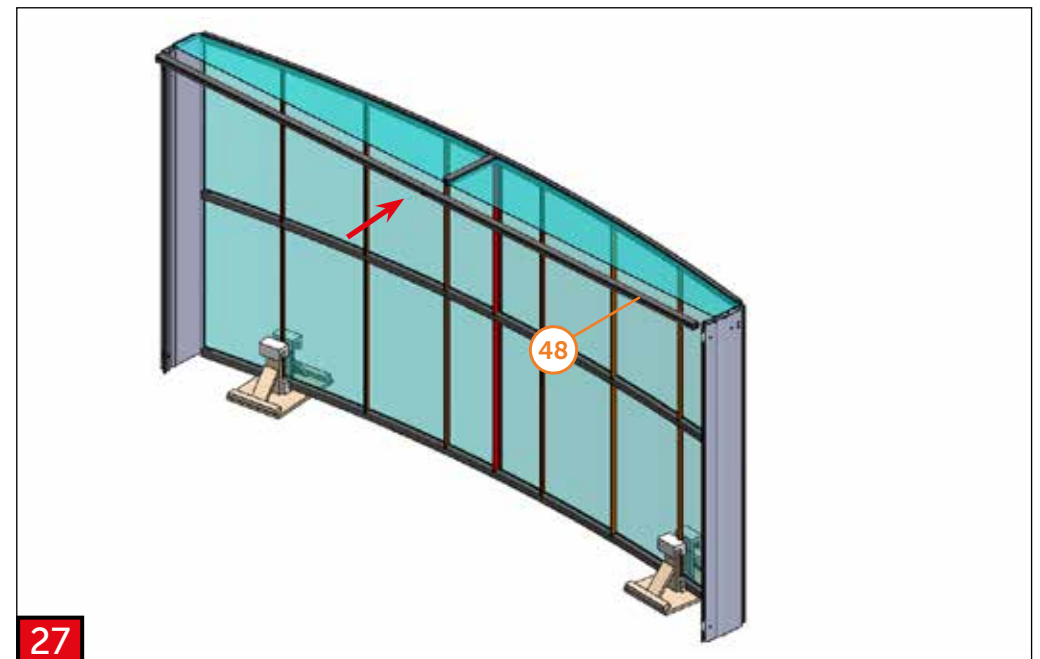
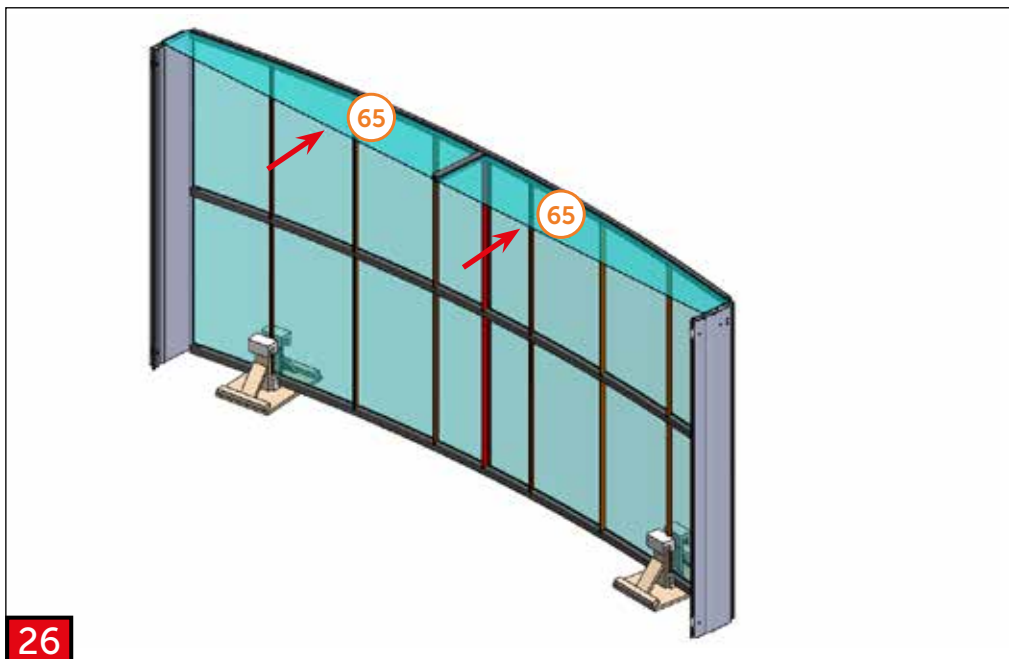
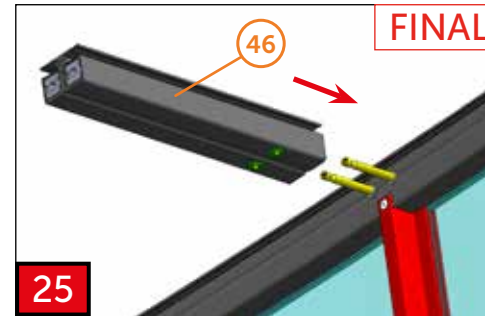
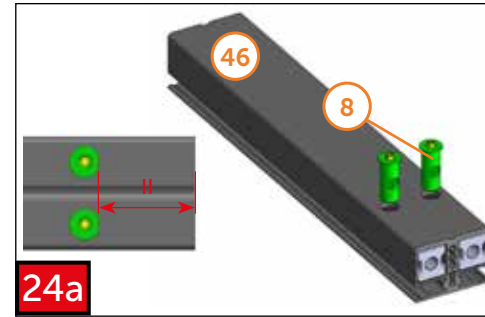
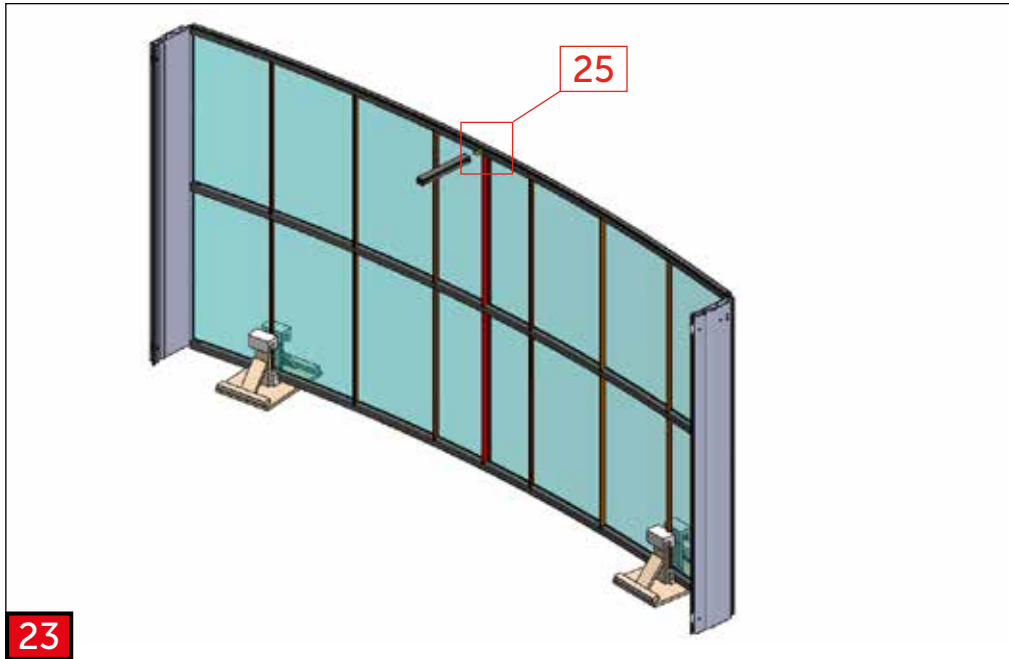




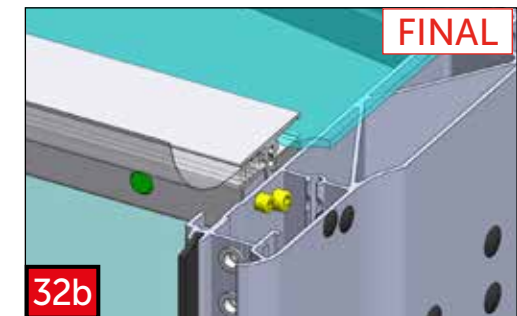
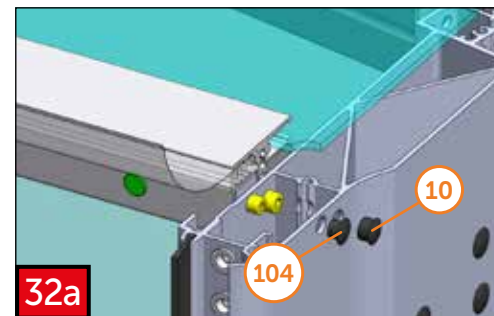
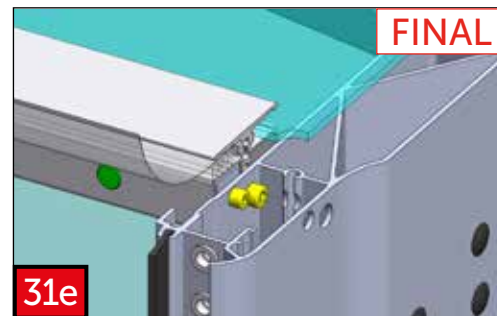
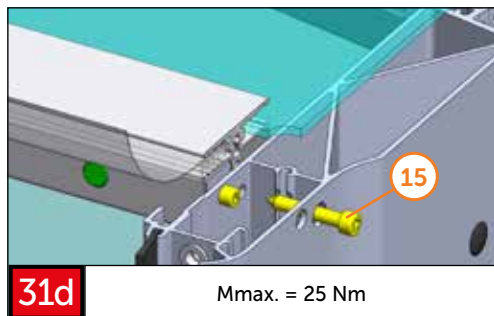
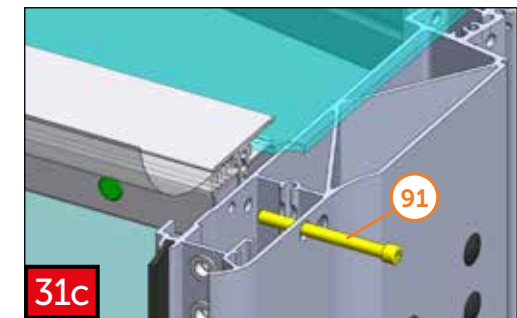
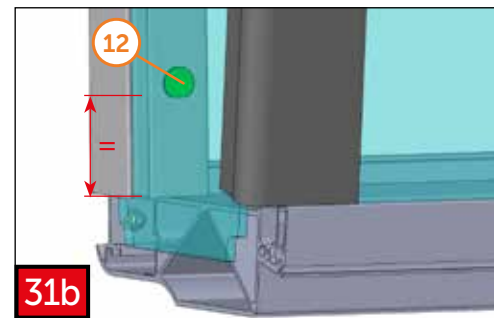
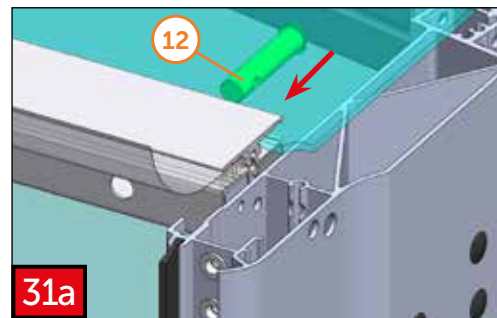
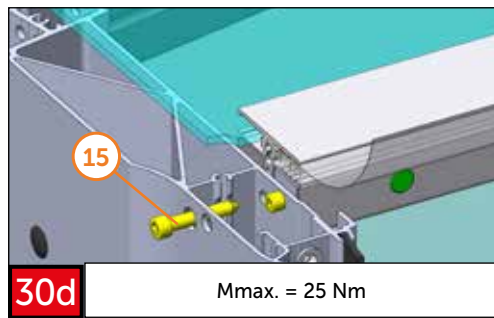
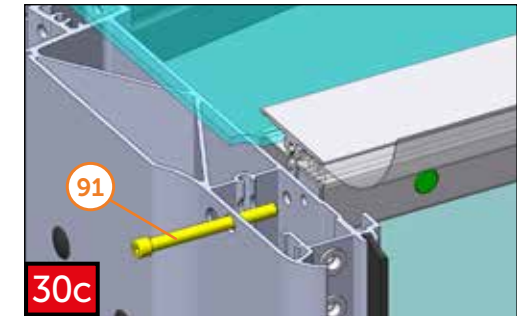
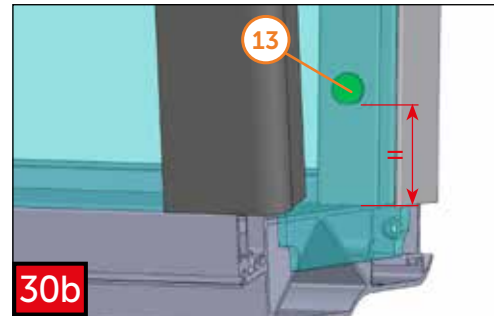
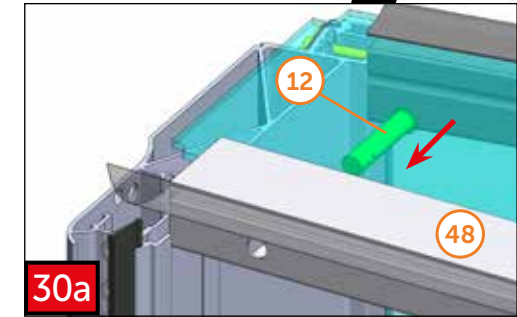
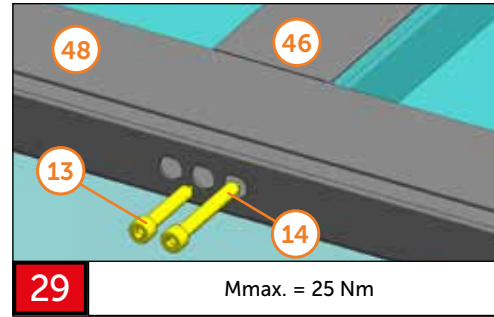
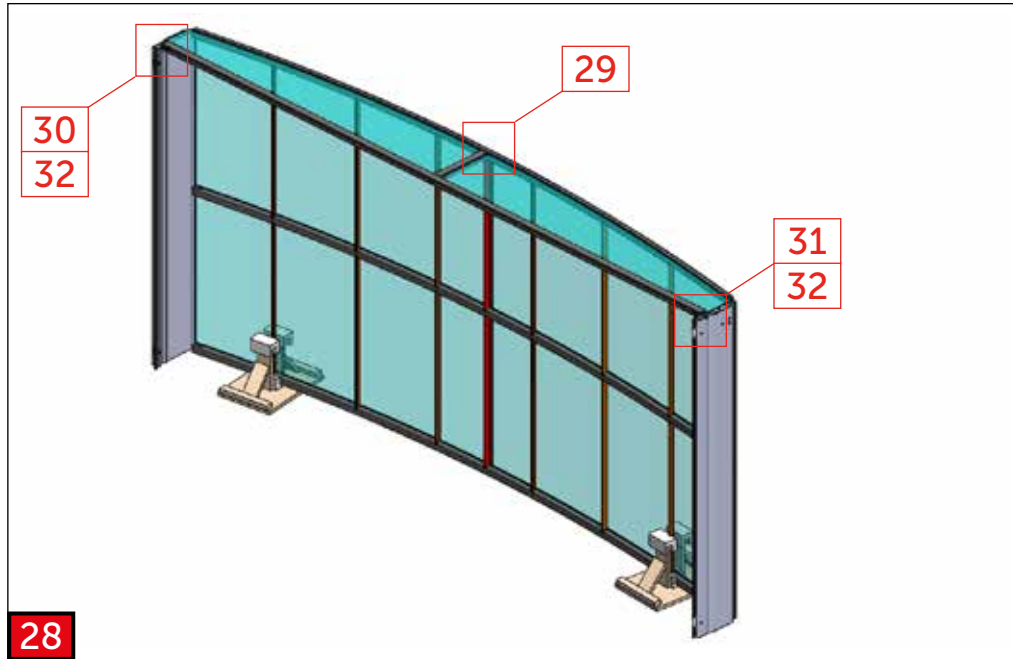




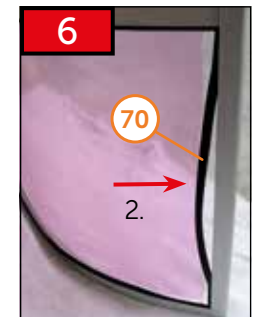
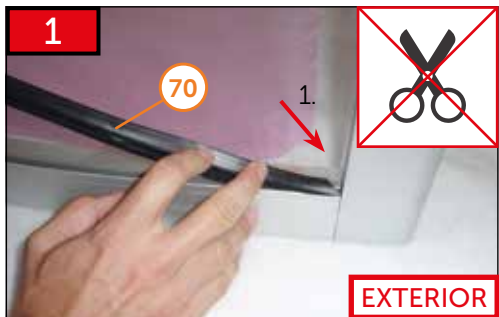
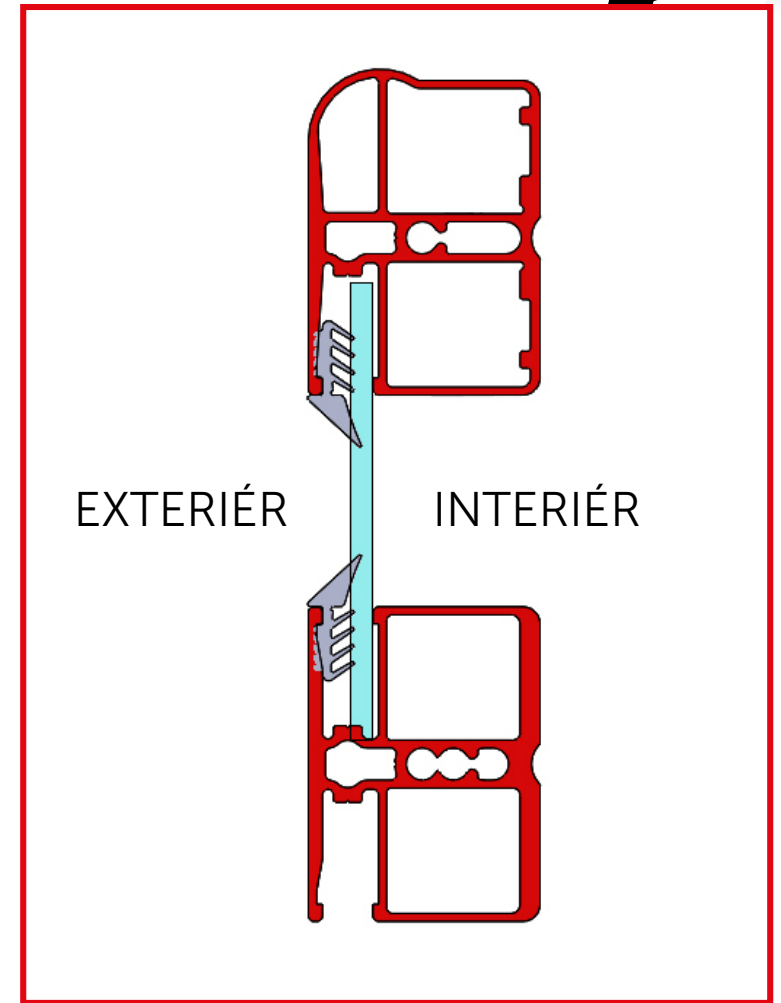
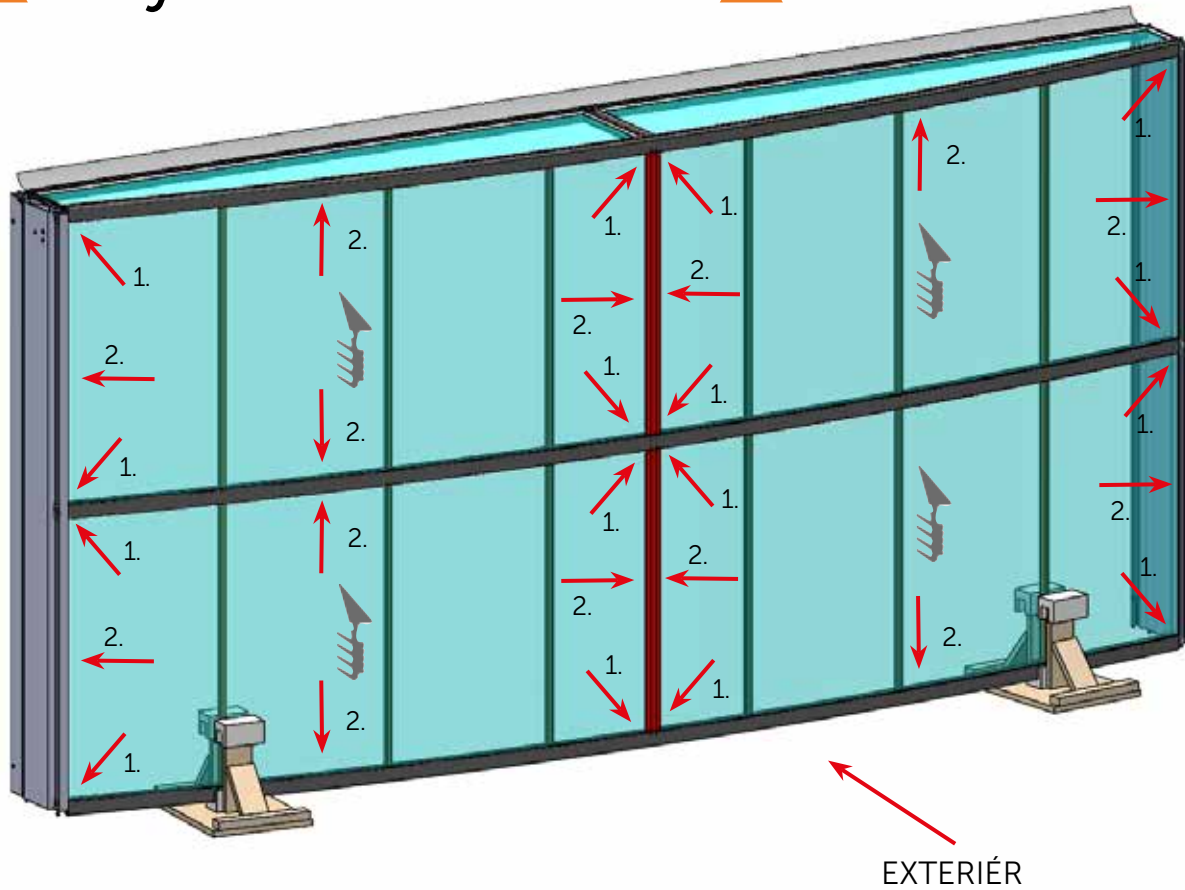




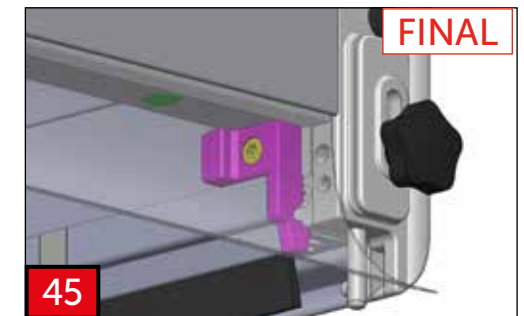
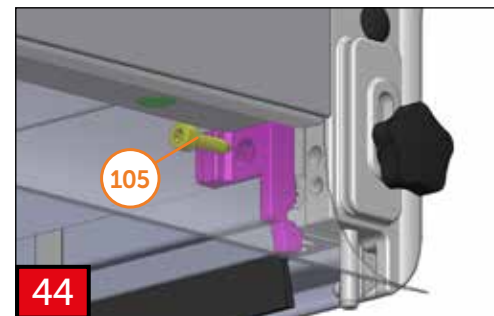
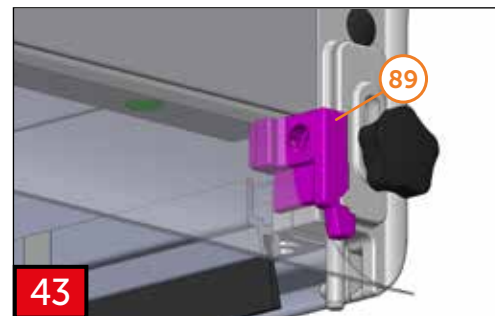
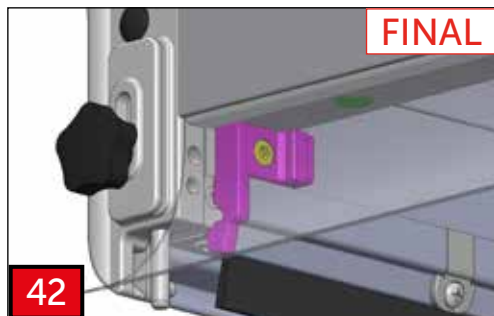
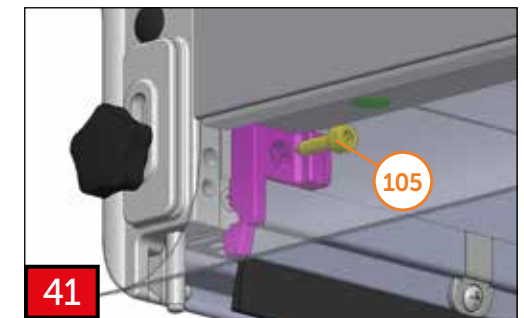
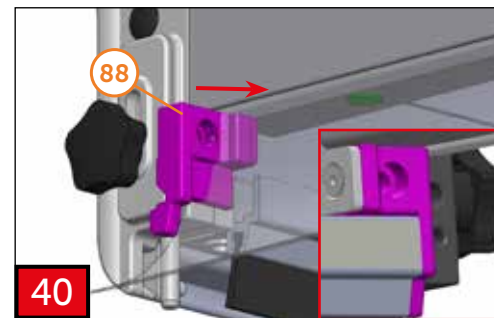
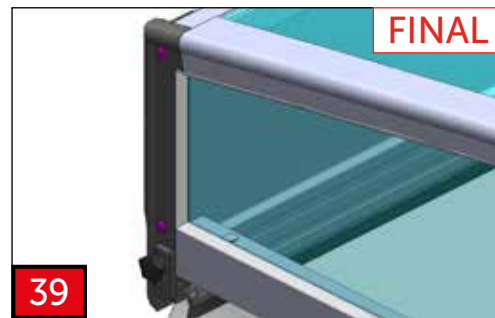
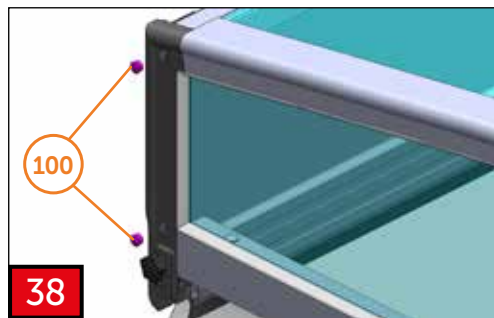
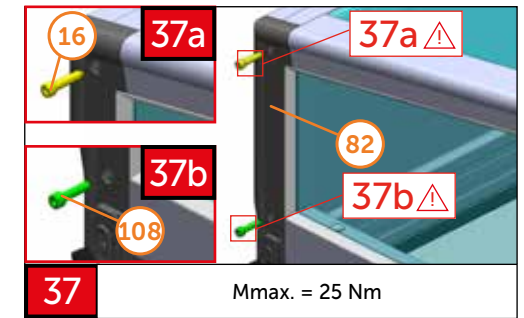
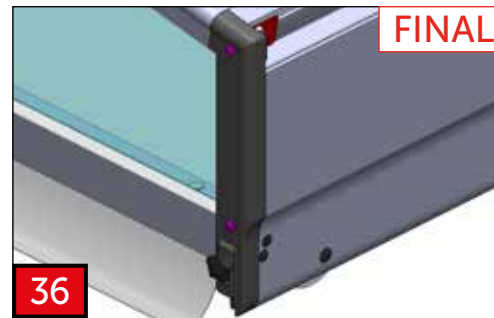
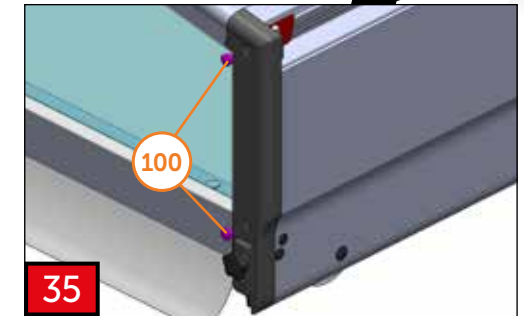
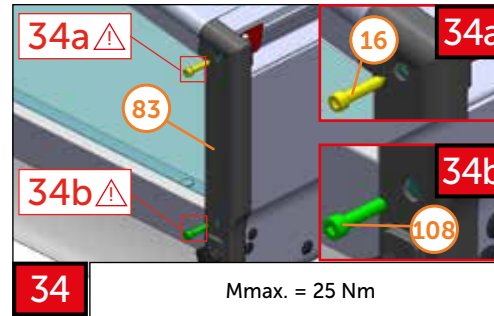
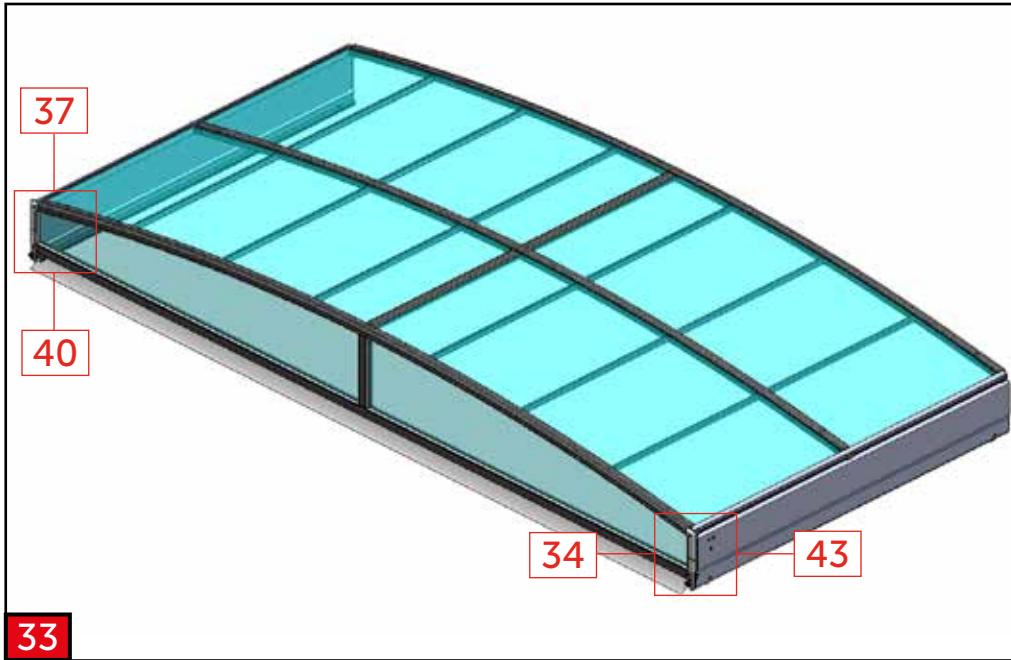




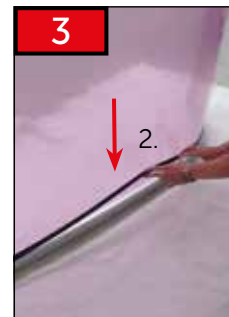
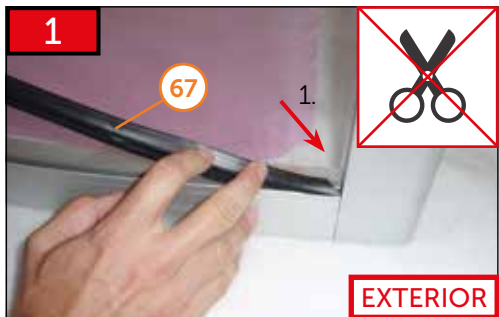
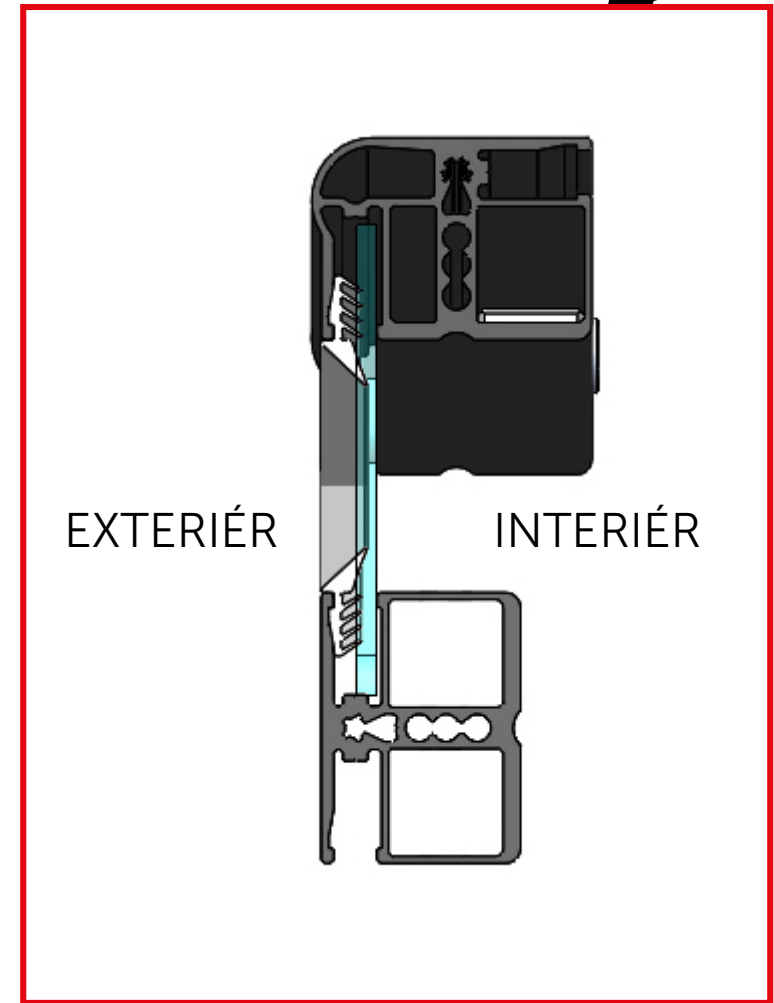
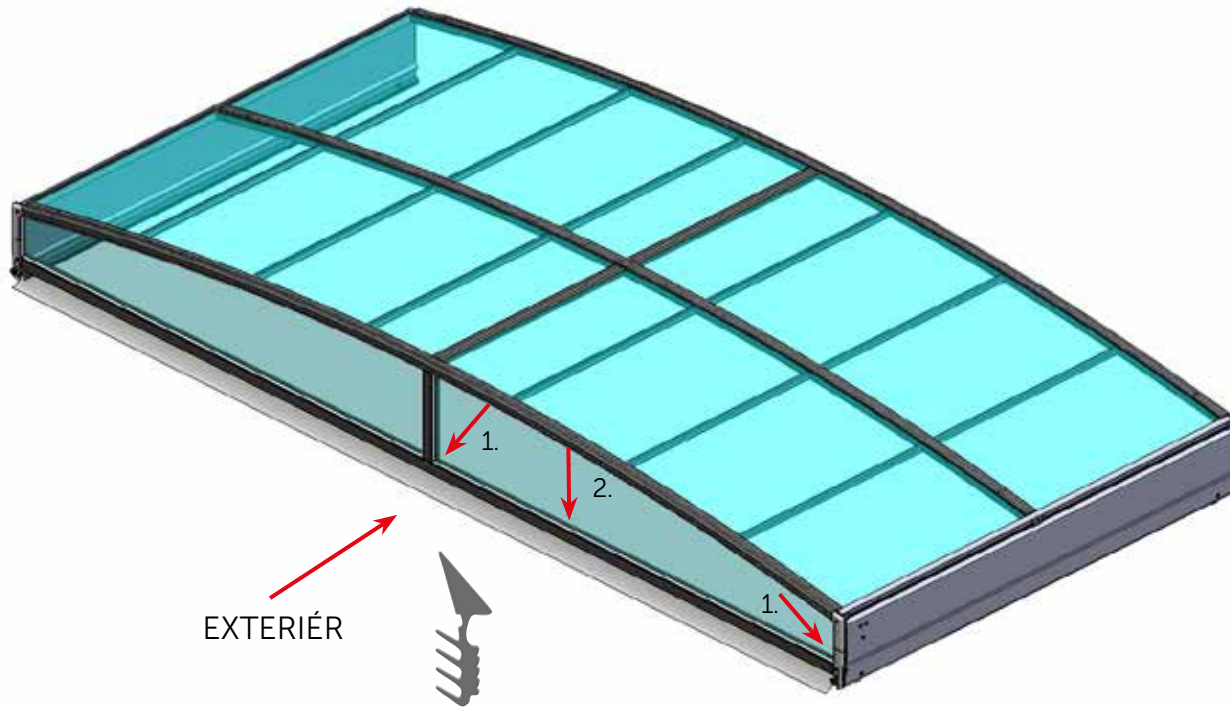
⚠ only SYDNEY CLEAR ⚠

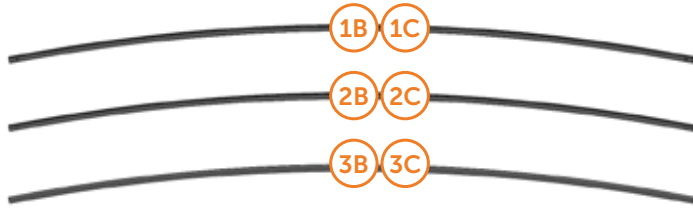






⚠ only SYDNEY CLEAR ⚠





1SP07-01-001

ø4 x 10
28x

7

1SP11-01-031

AN 9051
6,3 x 70
12x

14

1SP11-01-053

AN 9051
6,3 x 32
6x

16

1NA03-01-050

1x
----

17

Sydney BS/ Clear BS 2Z04-01-SD004	906 mm
Sydney B/ Clear B 2Z04-01-SD001	1041 mm

12x
-----

36

Sydney BS/ Clear BS 2Z05-01-SD005	906 mm
Sydney B/ Clear B 2Z05-01-SD001	1041 mm

2x
----

37

Sydney BS/ Clear BS 2Z02-09-SD028	1880 mm
Sydney B/ Clear B 2Z02-09-SD027	2150 mm

2x
----

58

1SP10-01-084

ISO 7380
M 6x20
2x

92

1SZ18-02-010

2x
----

93

1SZ18-02-012

4x
----

94

1SP11-01-049

AN 9051
4,8x60
6x

95

1SP10-01-078

DIN 912
M 6x65
4x

96

1SP10-01-082

DIN 912
M 6x100
4x

97

1SZ03-01-038

2x
----

98

1SZ03-01-030

4x
----

99

1SZ12-01-010

MODUL B	6x
MODUL C	8x

100

1SP10-01-025

DIN912
M6x25
2x

108

MODUL B

"KL" = "KP"

Sydney BS/ Clear BS 2Z02-09-SR013	1880 mm
Sydney B/ Clear B 2Z02-09-SR003	2150 mm

1x
----

54

MODUL B

"KL" = "KP"

Sydney BS/ Clear BS 2Z02-09-SR014	1880 mm
Sydney B/ Clear B 2Z02-09-SR004	2150 mm

1x
----

55

MODUL C

"KL" = "KP"

Sydney BS/ Clear BS 2Z02-09-SR015	1880 mm
Sydney B/ Clear B 2Z02-09-SR005	2150 mm

1x
----

52

MODUL C

"KL" = "KP"

Sydney BS/ Clear BS 2Z02-09-SR016	1880 mm
Sydney B/ Clear B 2Z02-09-SR006	2150 mm

1x
----

53

Sydney BS/ Clear BS	2110 x 915 mm	
Sydney B/ Clear B	2110 x 1050 mm	

4x  
61

Sydney BS/ Clear BS	2180 x 915 mm	
Sydney B/ Clear B	2180 x 1050 mm	

4x  
62

**MODUL B**

2Z09-01-SD012

1x  
76

**MODUL B**

2Z09-01-SD013

1x  
77

**MODUL B**

2Z09-01-SD014

1x  
78

**MODUL B**

2Z09-01-SD015

1x  
79

**MODUL C**

2Z09-01-SD058

1x  
80

**MODUL C**

2Z09-01-SD059

1x  
81

**MODUL C**

2Z09-01-SD060

1x  
82

**MODUL C**

2Z09-01-SD061

1x  
83

<b>MODUL B</b>	1x
<b>MODUL C</b>	1x

2SZ18-02-001D

**OPTIONAL "KL"**

3

<b>MODUL B</b>	1x
<b>MODUL C</b>	1x

2SZ18-02-002D

**OPTIONAL "KP"**

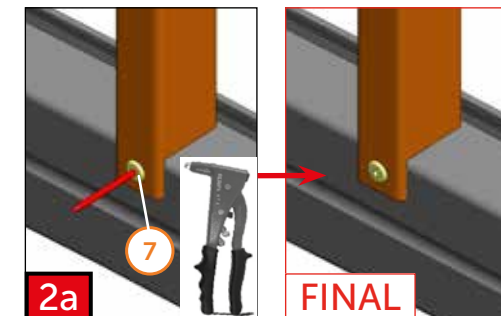
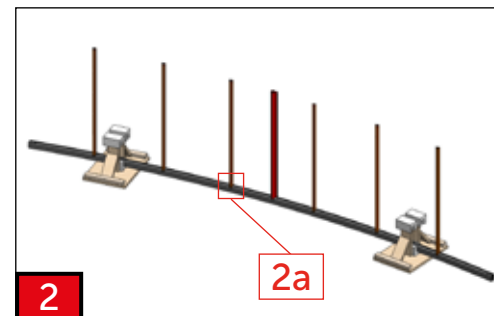
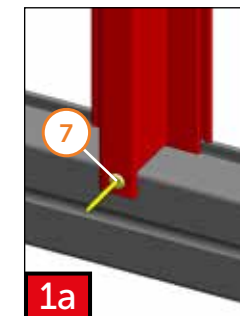
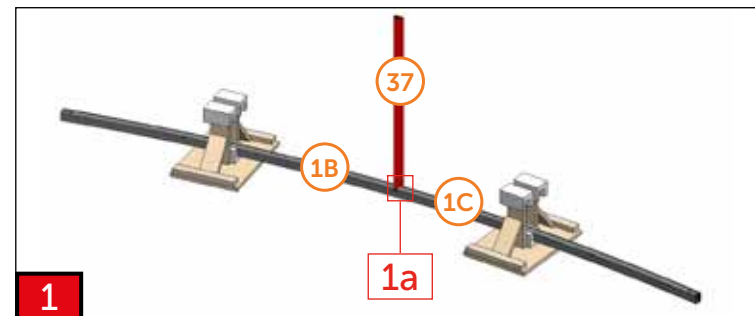
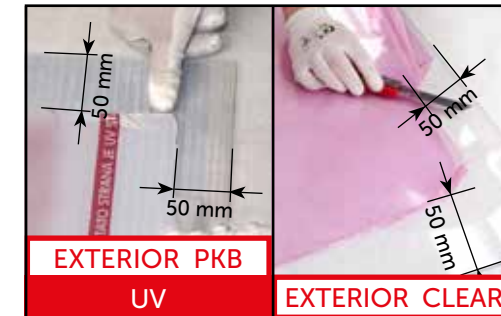
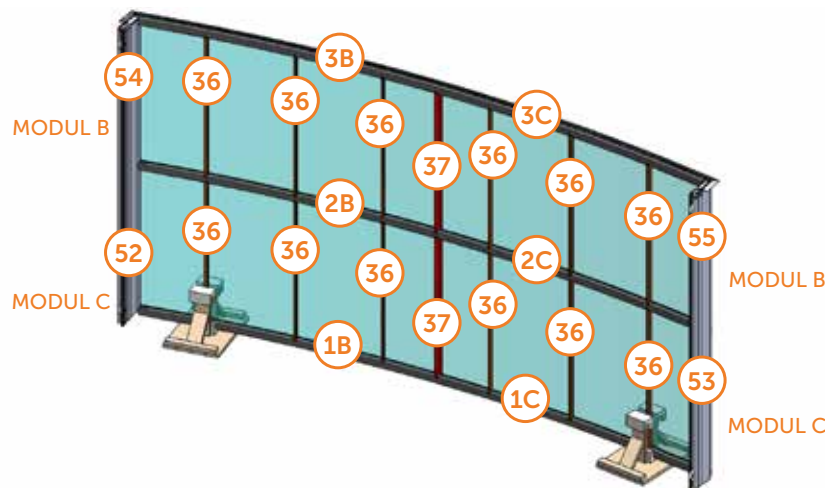
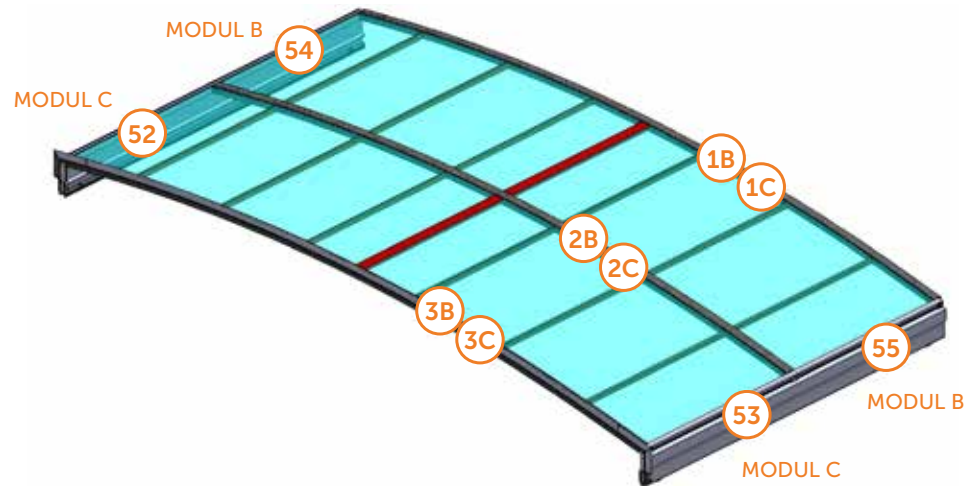
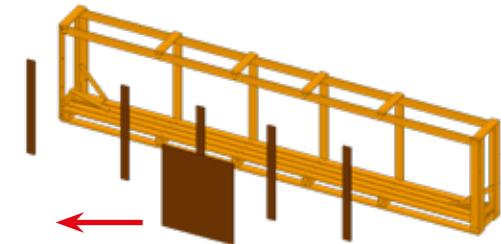
4

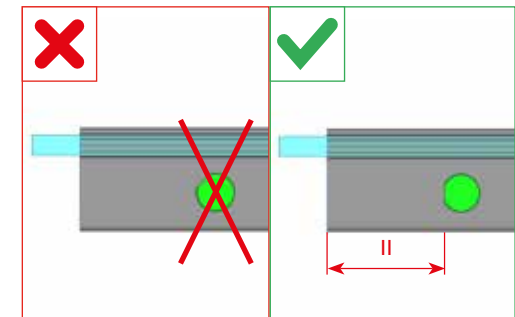
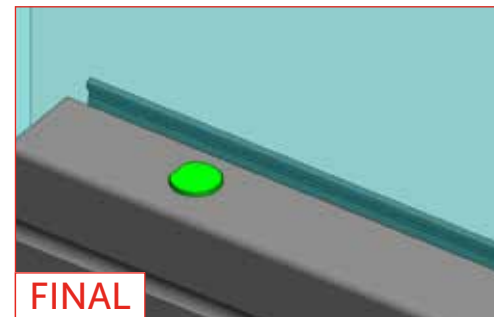
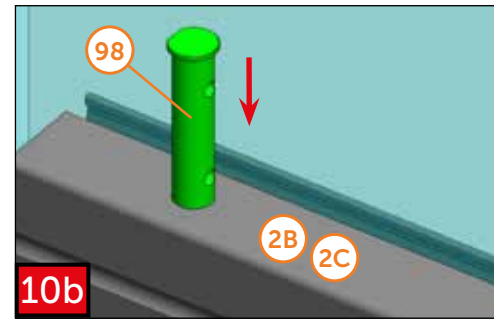
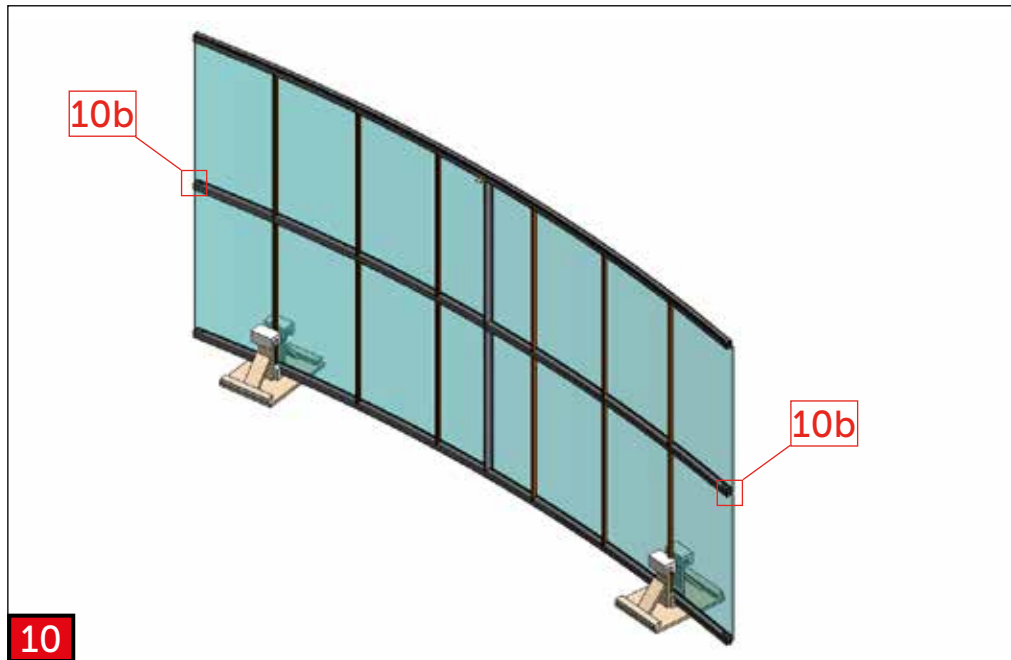
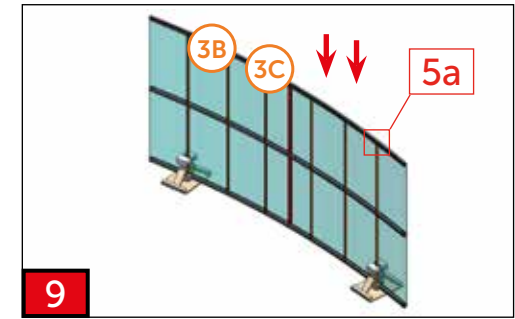
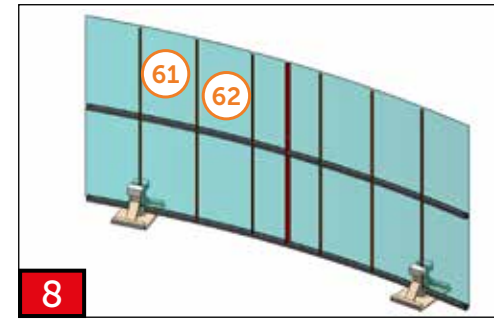
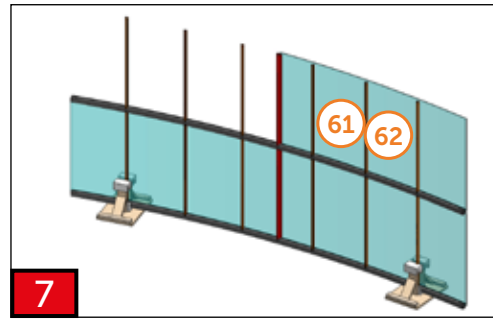
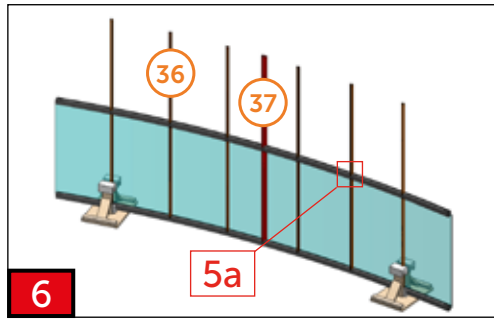
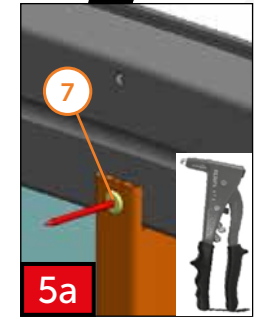
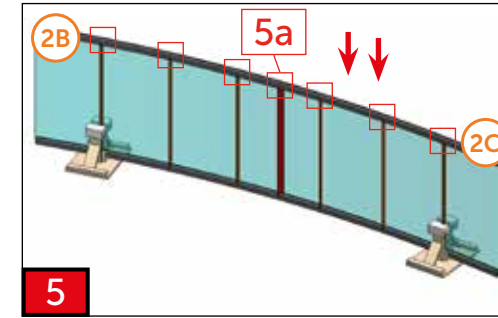
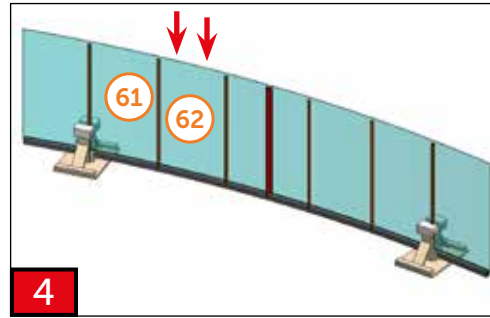
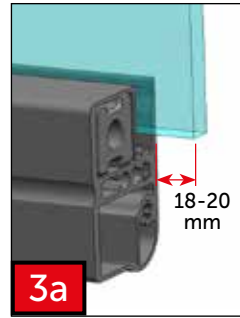
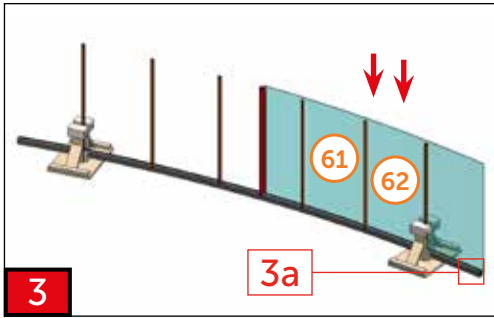


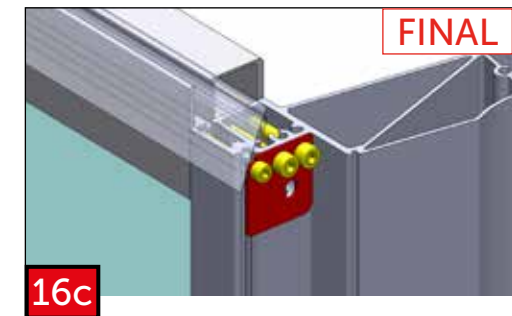
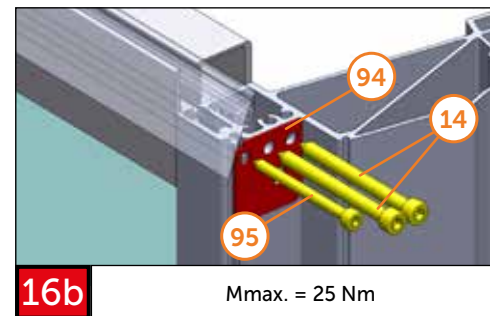
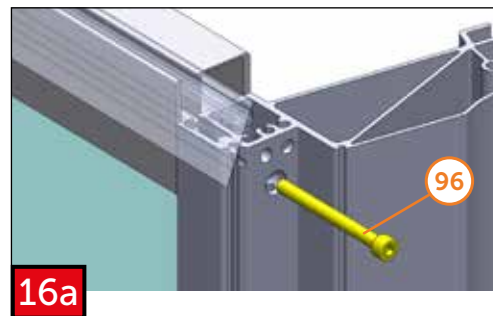
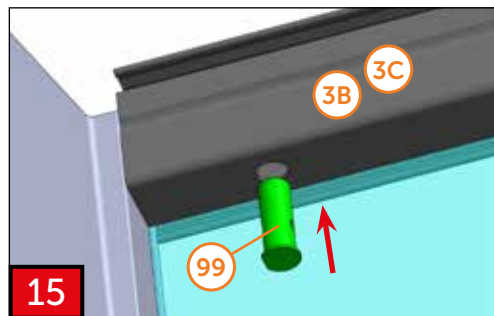
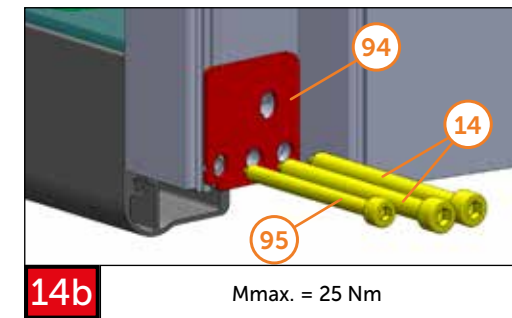
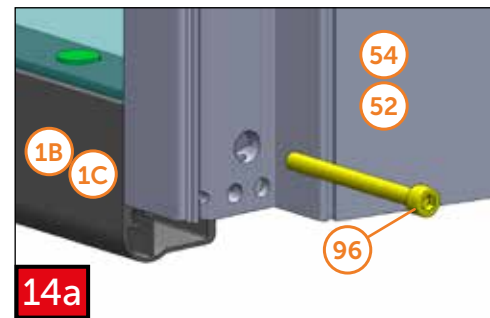
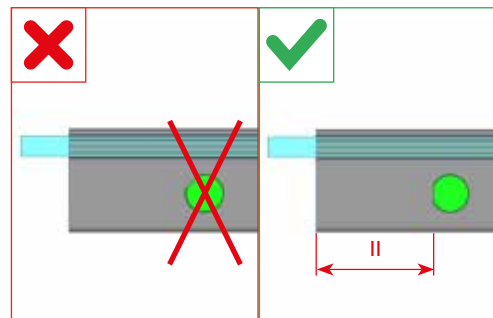
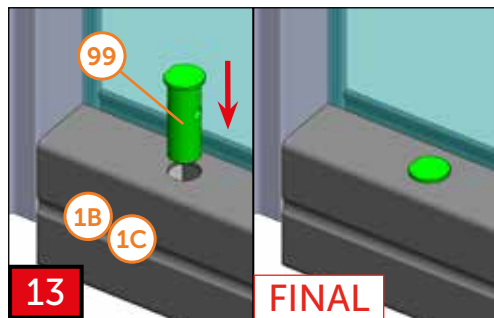
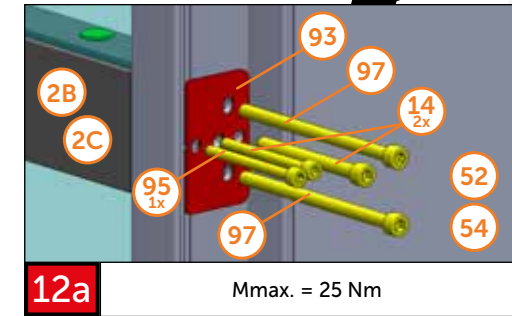
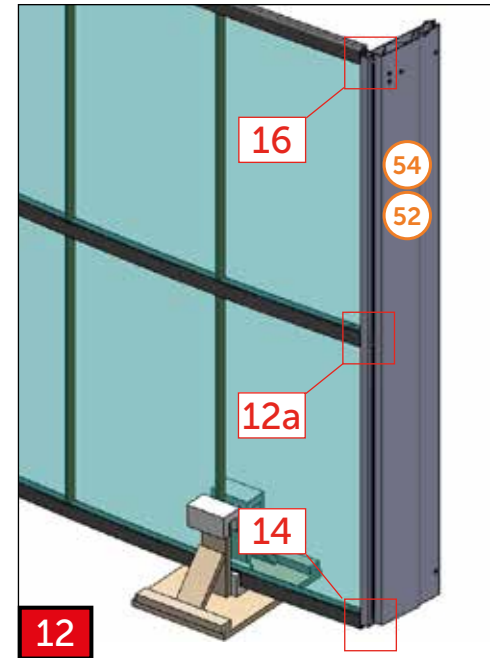
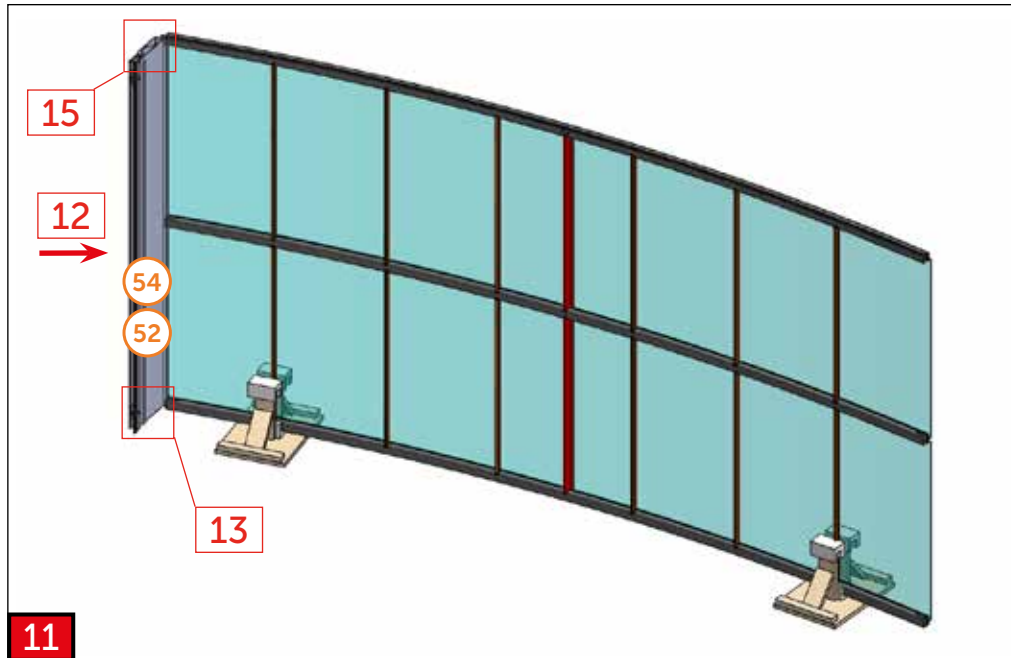
**Pomocný držák pro montáž modulu**  
**Auxiliary holder for the assembly of module**  
**Zusätzliche Halterung für die Modulmontage**  
**Support auxiliaire pour l'assemblage du module**  
**Вспомогательный держатель для сборки модуля**



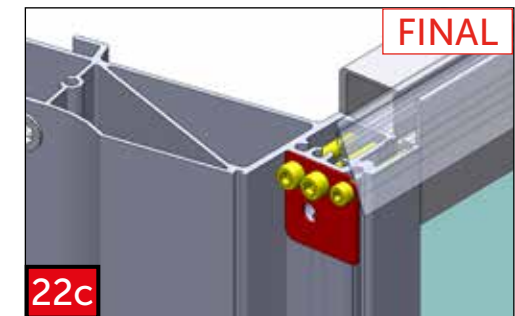
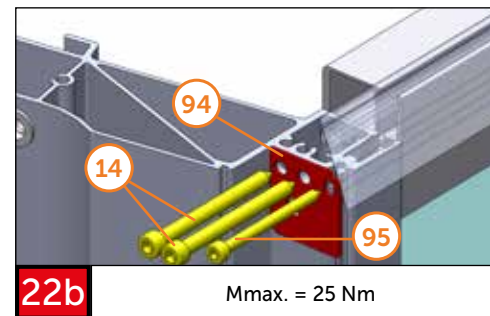
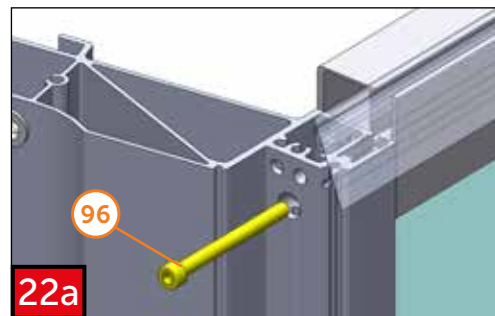
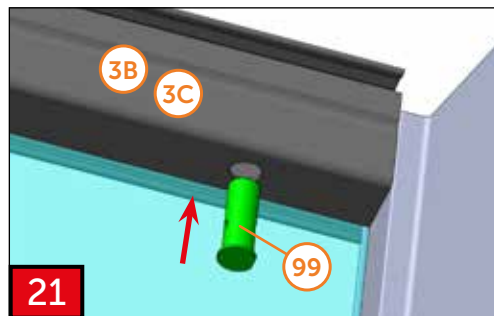
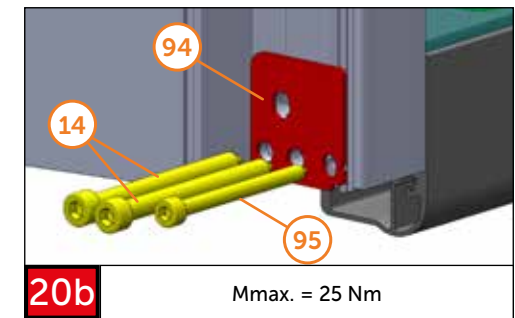
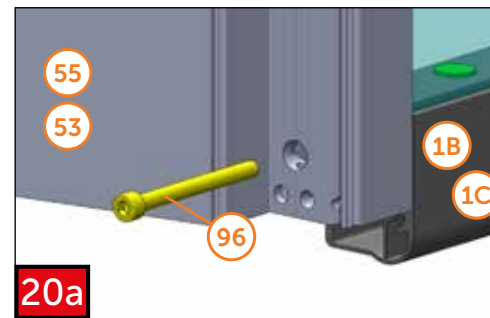
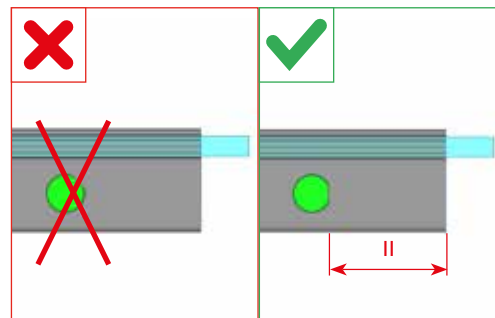
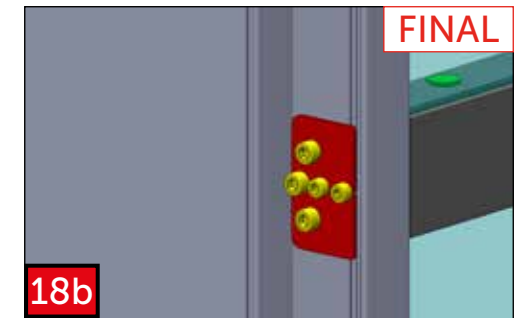
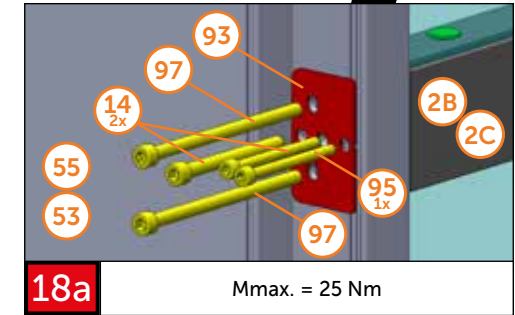
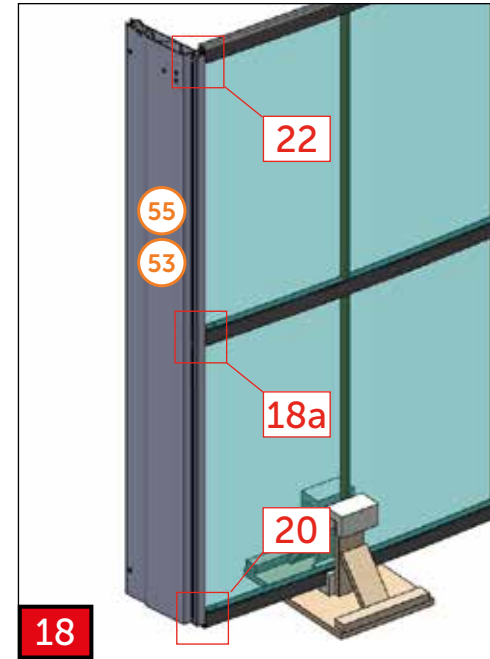
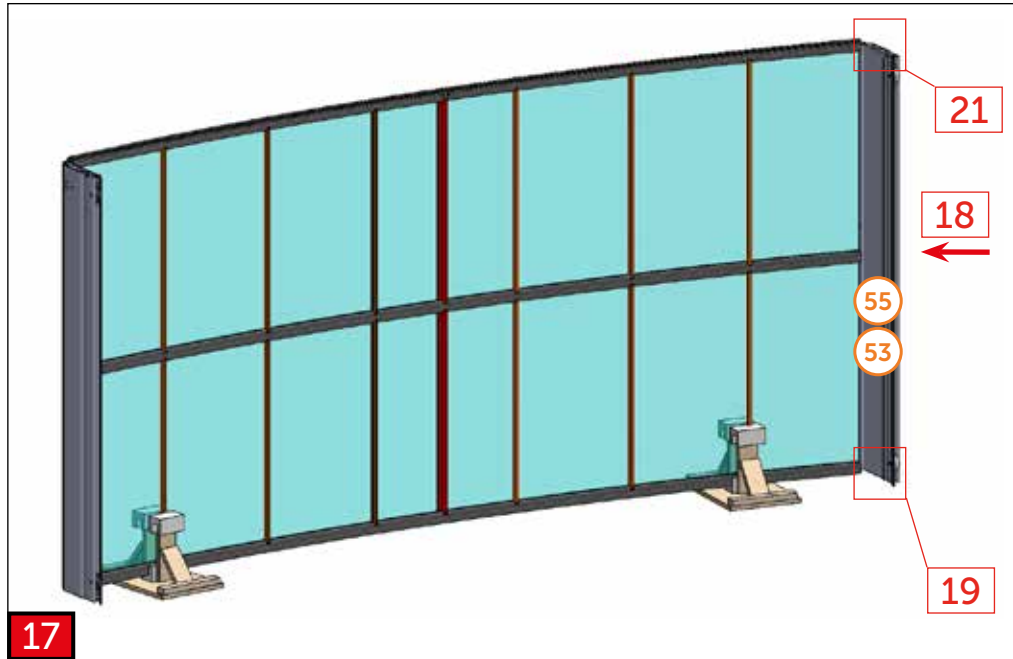
Nutné zajistit modul proti překlopení. Doporučujeme vyrobit držák z balení (prkna + výložky) nebo zajistit jiným způsobem.  
 The module must be secured against falling. We recommend that you make a holder from the transport box (boards + foam liner) or that you secure the module in other safe way.  
 Das Modul muss gegen Umkippen gesichert werden. Wir empfehlen, einen Halter aus der Verpackung (Bretter + Liner) zu machen oder das Modul auf andere Weise zu sichern.  
 Il est nécessaire d'assurer le module contre son renversement. Nous recommandons de fabriquer le support de l'emballage (les planches + les parements) ou de l'assurer autrement.  
 Необходимо обезопасить модуль от опрокидывания. Мы рекомендуем сделать держатель из упаковки (доски + вкладыши) или закрепить его другим способом.





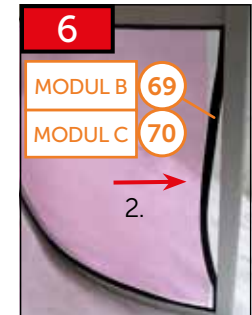
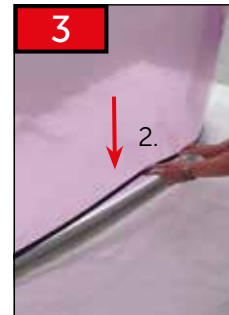
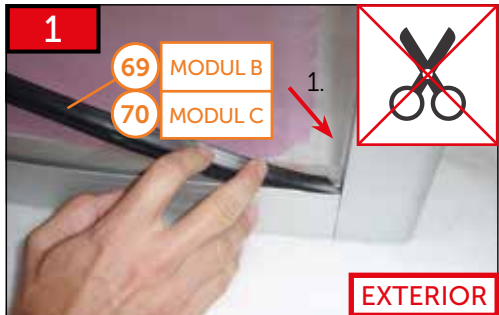
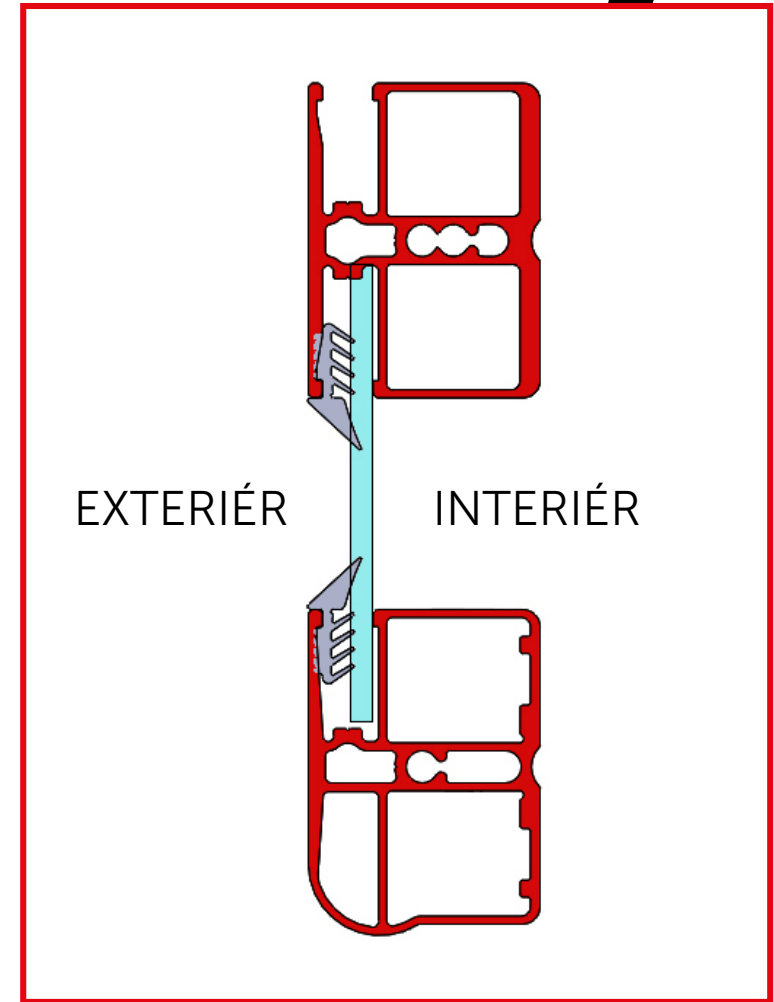
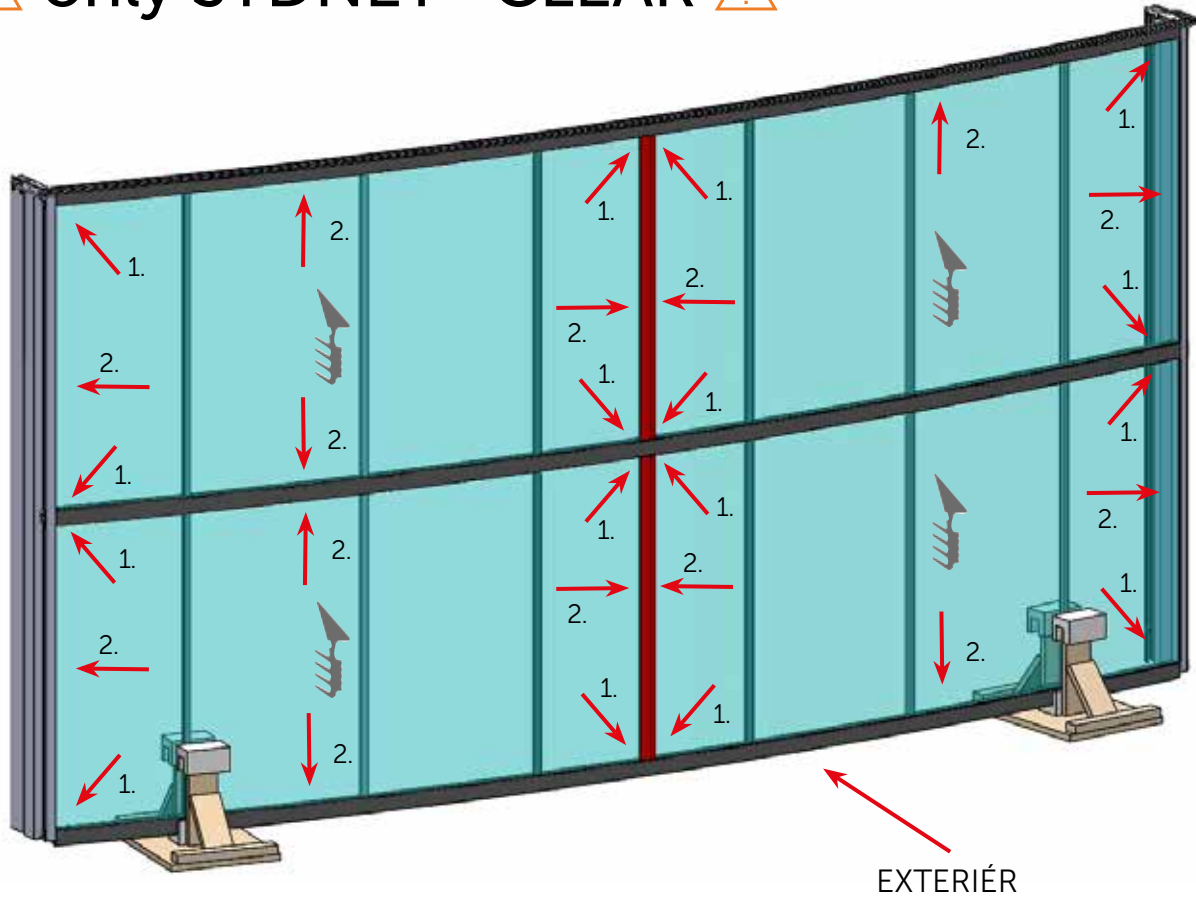


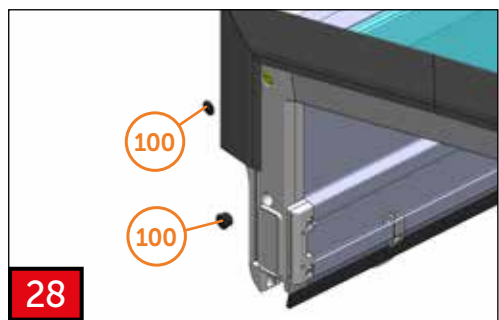
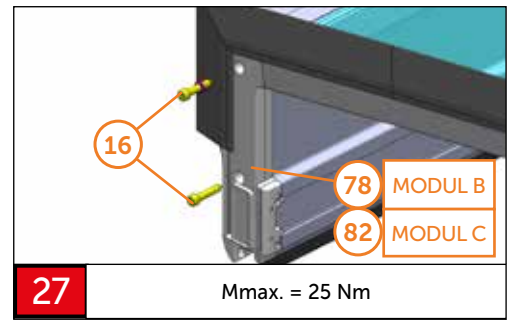
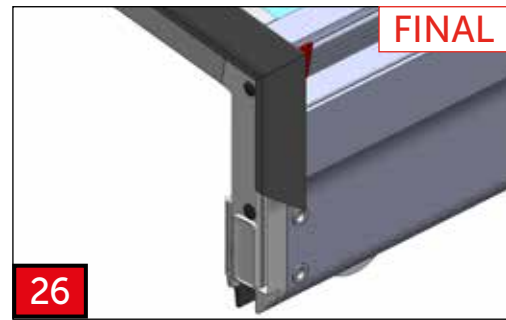
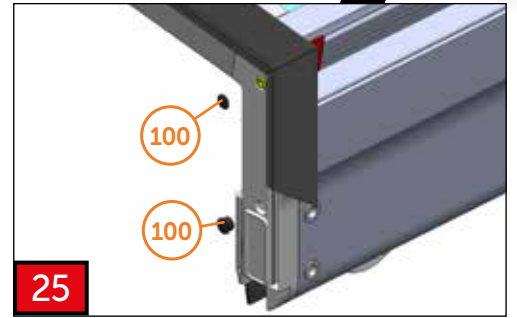
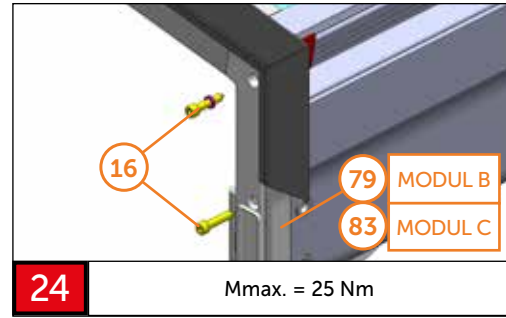
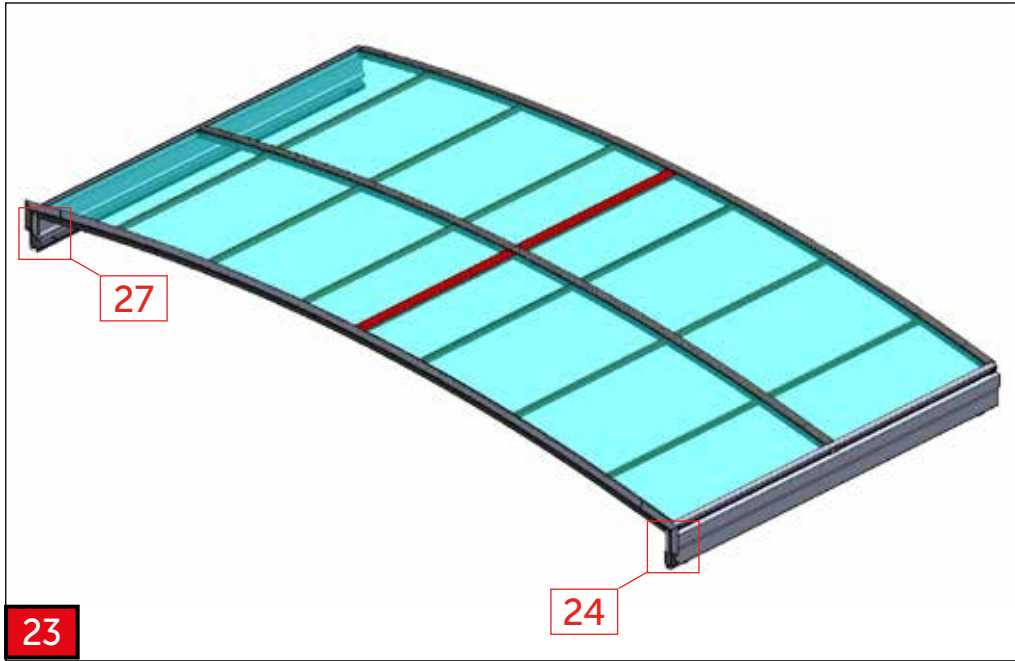


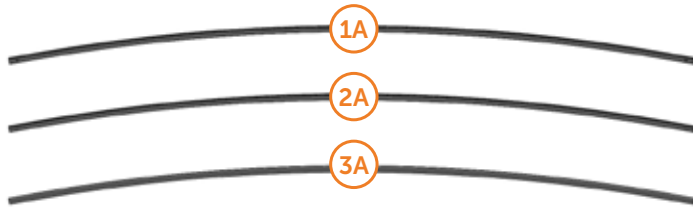




### ⚠ only SYDNEY CLEAR ⚠







1SP07-01-001

ø4 x 10

20x

7

1SZ03-01-035

DIN 914  
M6x14

2x

8

1SZ29-01-008

2x

11

1SZ03-01-040

2x

12

1SP11-01-029

AN 9051  
6,3 x 50

1x

13

1SP11-01-031

AN 9051  
6,3 x 70

13x

14

1SP11-01-027

AN 9051  
6,3 x 38

2x

15

1SP11-01-053

AN 9051 A4  
6,3 x 32

6x

16

1NA03-01-050

1x

17

Sydney BS/ Clear BS 2Z04-01-SD004	906 mm
Sydney B/ Clear B 2Z04-01-SD001	1041 mm

12x

36

Sydney BS/ Clear BS 2Z05-01-SD005	906 mm
Sydney B/ Clear B 2Z05-01-SD001	1041 mm

2x

37

2Z12-03-DP020

215 mm

1x

45

2Z12-03-DP019

4049 mm

1x

47

"KL" = "KP"

Sydney BS/ Clear BS 2Z02-09-SR011	1880 mm
Sydney B/ Clear B 2Z02-09-SR001	2150 mm

1x

56

"KL" = "KP"

Sydney BS/ Clear BS 2Z02-09-SR012	1880 mm
Sydney B/ Clear B 2Z02-09-SR002	2150 mm

1x

57

Sydney BS/ Clear BS 2Z02-09-SD028	1880 mm
Sydney B/ Clear B 2Z02-09-SD027	2150 mm

2x

58

Sydney BS/ Clear BS	2040 x 915 mm
Sydney B/ Clear B	2040 x 1050 mm

MODULA

4x

60

2x

64

2x

66

2Z09-01-SD018

1x

MODULA

74

2Z09-01-SD019

1x

MODULA

75



1SP10-01-077

DIN 912  
M 5x65

2x

91

1SP10-01-084

ISO 7380  
M 6x20

4x

92

1SZ18-02-010

2x

93

1SZ18-02-012

4x

94

1SP11-01-049

AN 9051  
4,8x60

6x

95

1SP10-01-078

DIN 912  
M 6x65

4x

96

1SP10-01-082

DIN 912  
M 6x100

4x

97

1SZ03-01-038

2x

98

1SZ03-01-030

4x

99

1SZ12-01-010

6x

100

1SZ12-01-052

2x

104

1SZ12-01-051

2x

10

1SP10-01-025

DIN912  
M6x25

2x

108

2Z09-01-SD016

1x

72

MODUL A

2Z09-01-SD017

1x

73

MODUL A

2SZ18-02-001D

1x

3

MODUL A

2SZ18-02-002D

1x

4

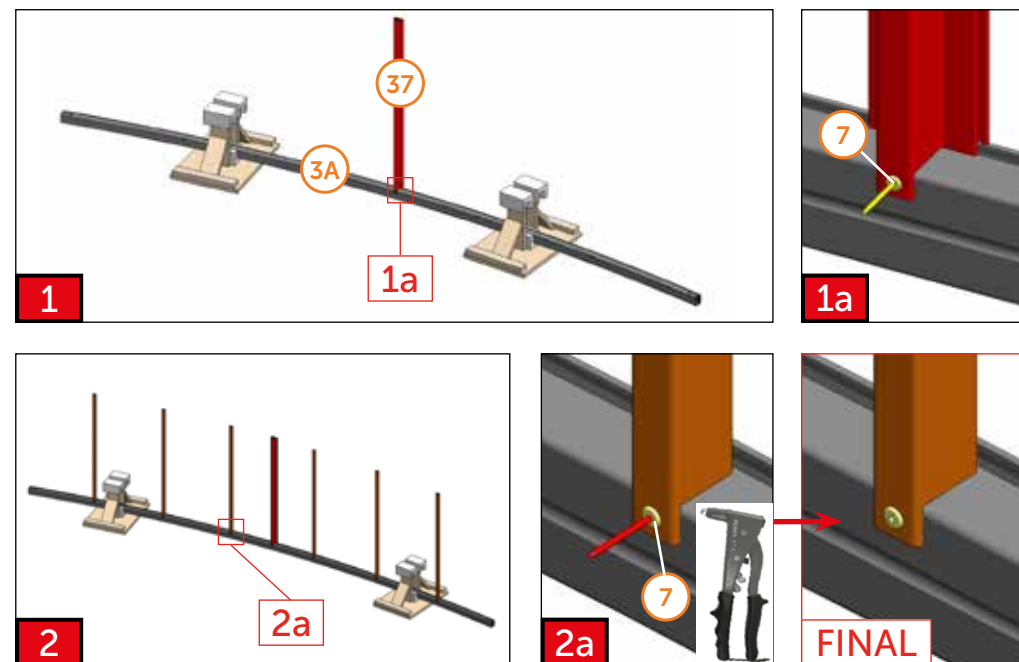
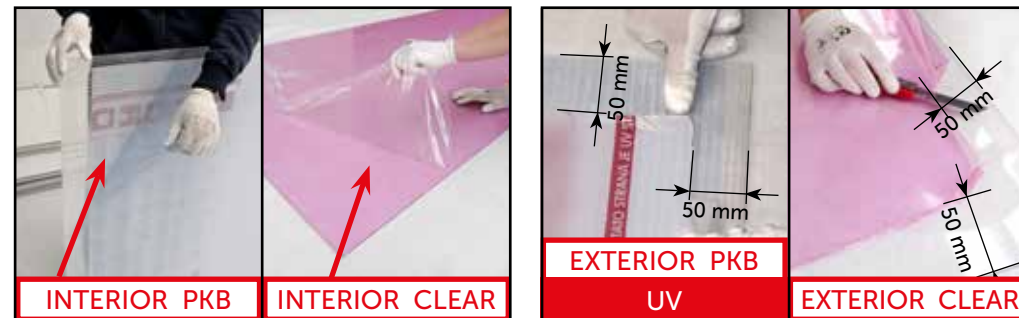
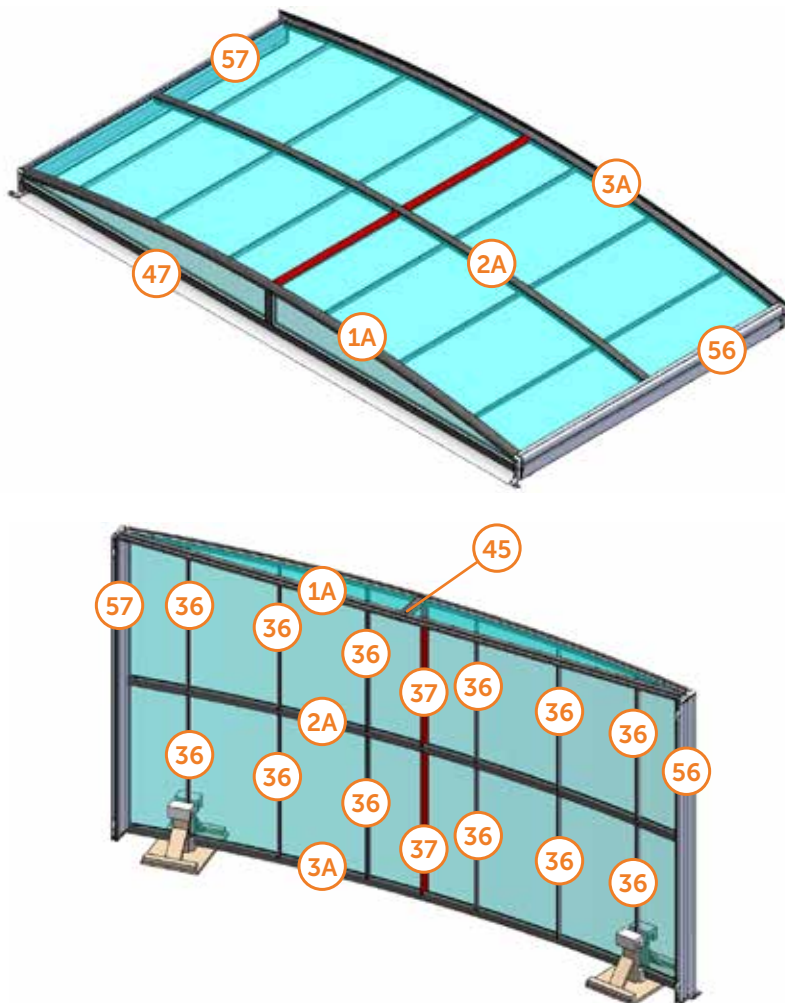
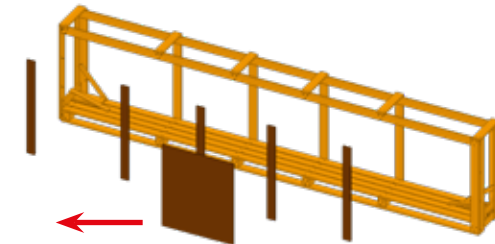
MODUL A

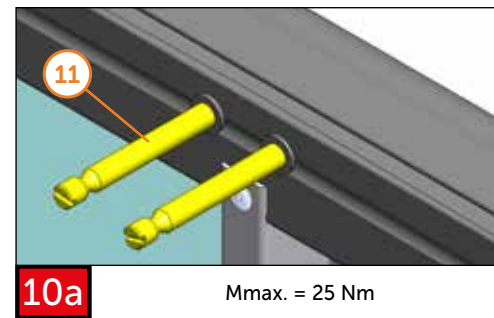
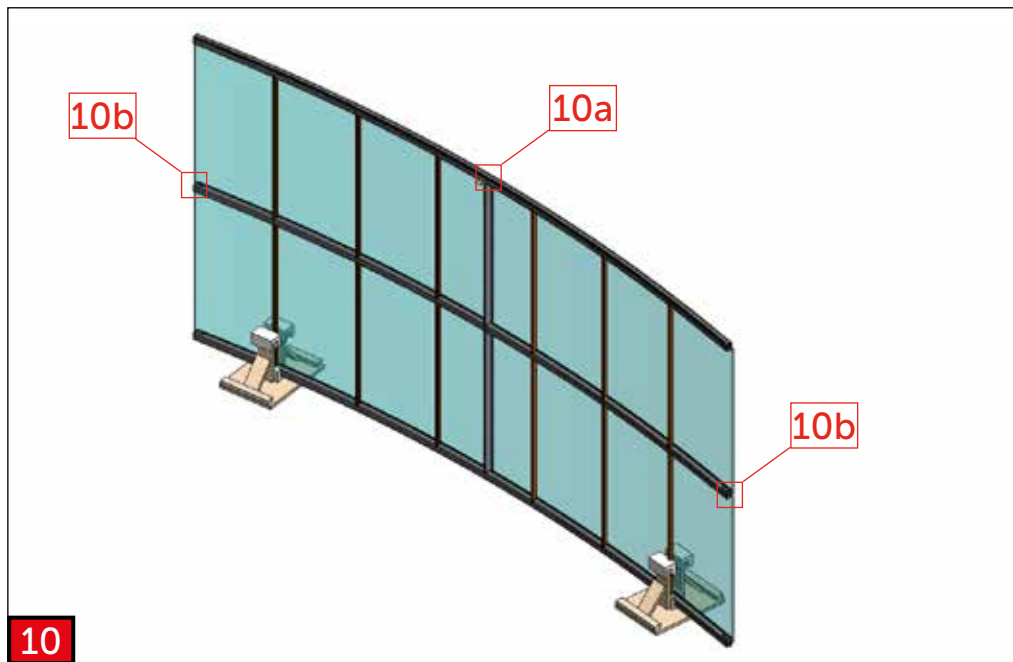
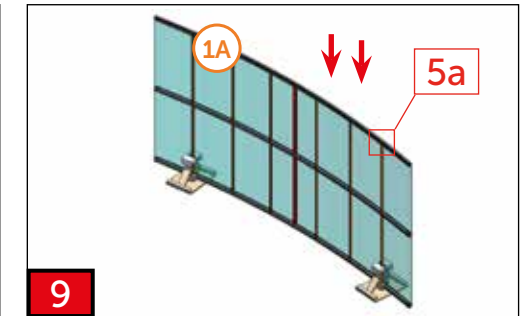
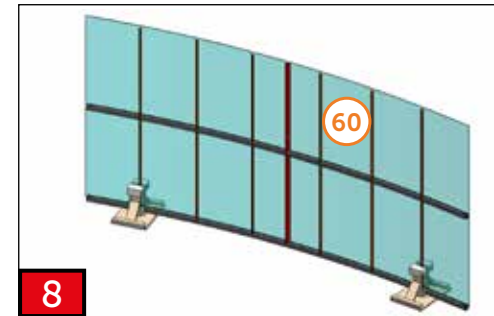
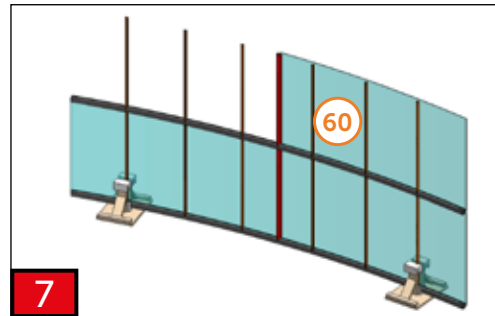
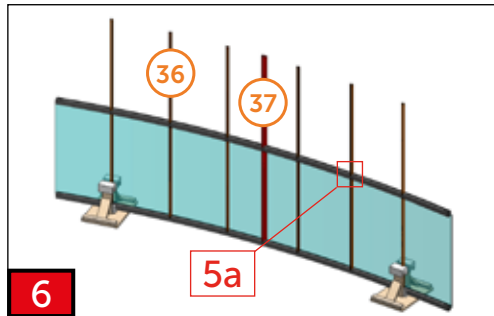
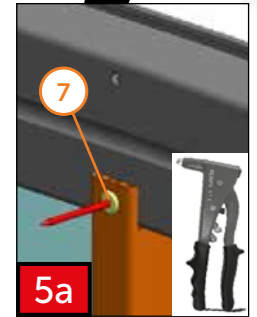
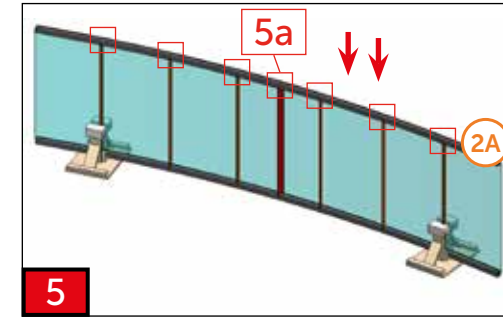
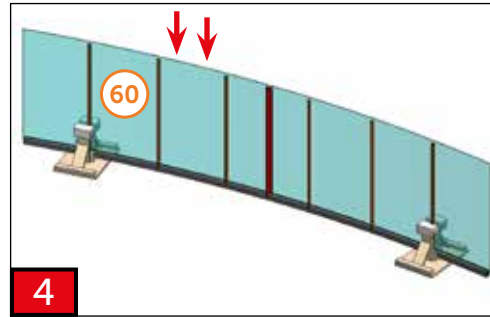
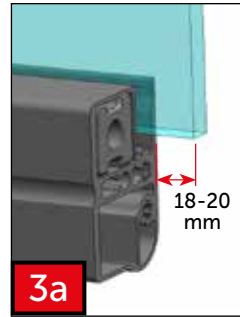
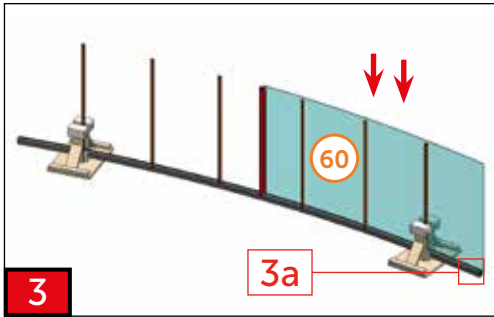


**Pomocný držák pro montáž modulu**  
**Auxiliary holder for the assembly of module**  
**Zusätzliche Halterung für die Modulmontage**  
**Support auxiliaire pour l'assemblage du module**  
**Вспомогательный держатель для сборки модуля**

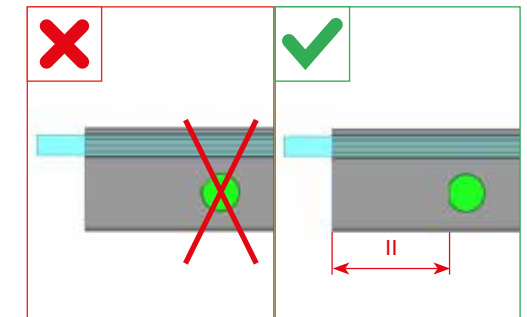
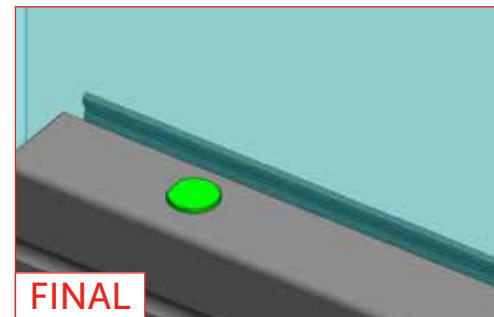
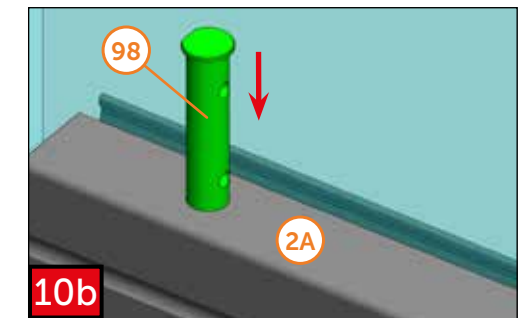


Nutné zajistit modul proti překlopení. Doporučujeme vyrobit držák z balení (prkna + výložky) nebo zajistit jiným způsobem.  
 The module must be secured against falling. We recommend that you make a holder from the transport box (boards + foam liner) or that you secure the module in other safe way.  
 Das Modul muss gegen Umkippen gesichert werden. Wir empfehlen, einen Halter aus der Verpackung (Bretter + Liner) zu machen oder das Modul auf andere Weise zu sichern.  
 Il est nécessaire d'assurer le module contre son renversement. Nous recommandons de fabriquer le support de l'emballage (les planches + les parements) ou de l'assurer autrement.  
 Необходимо обезопасить модуль от опрокидывания. Мы рекомендуем сделать держатель из упаковки (доски + вкладыши) или закрепить его другим способом.

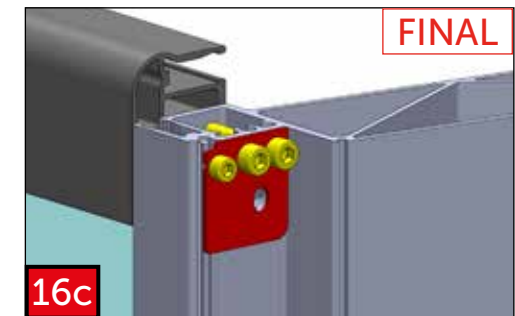
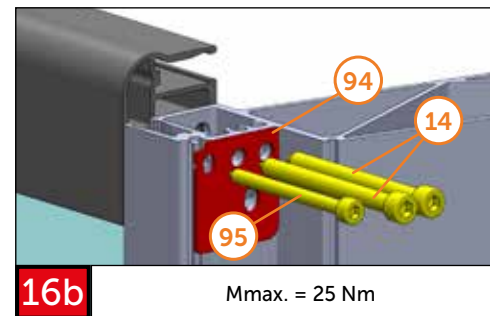
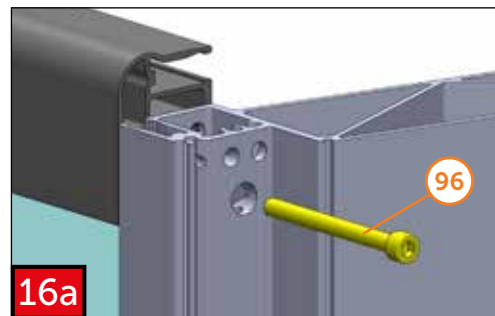
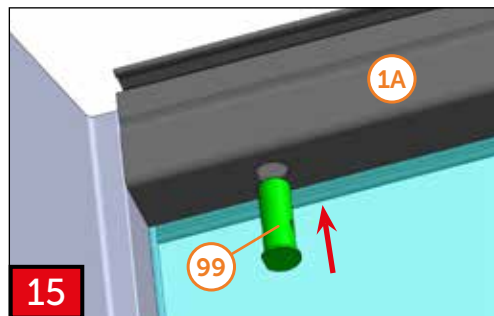
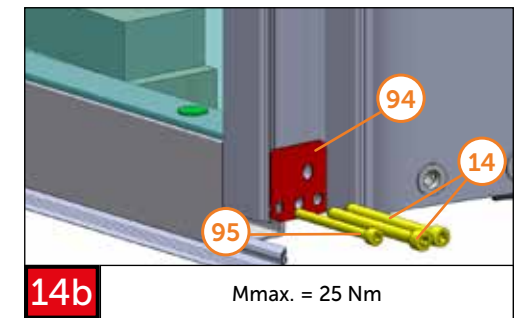
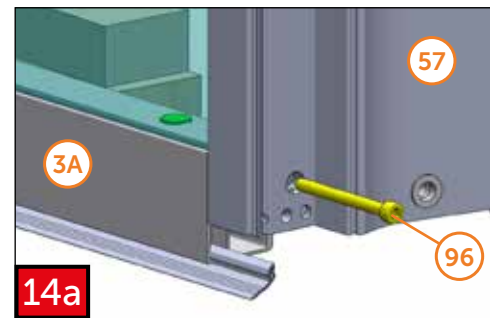
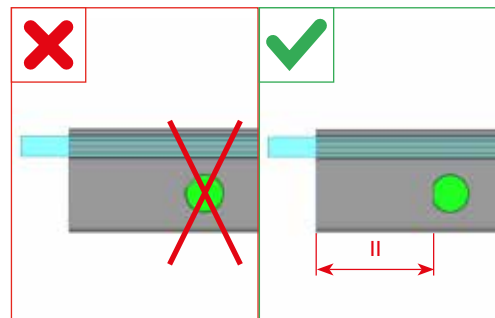
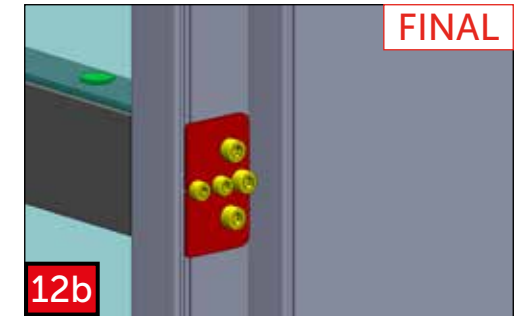
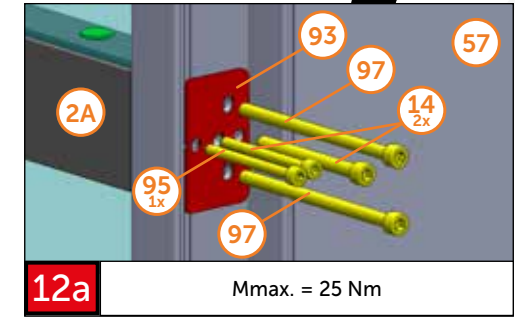
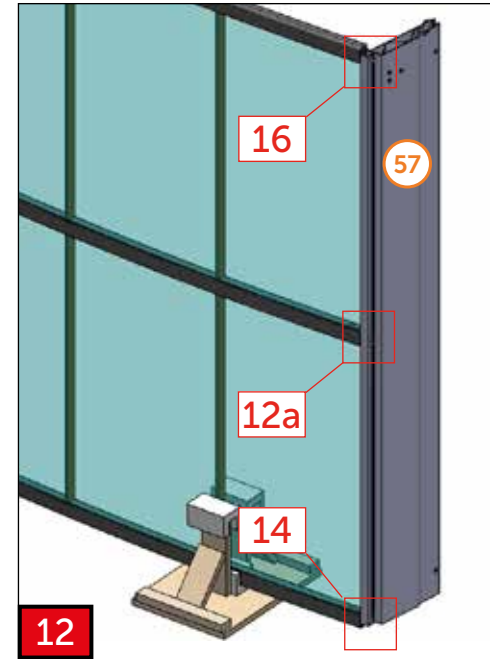
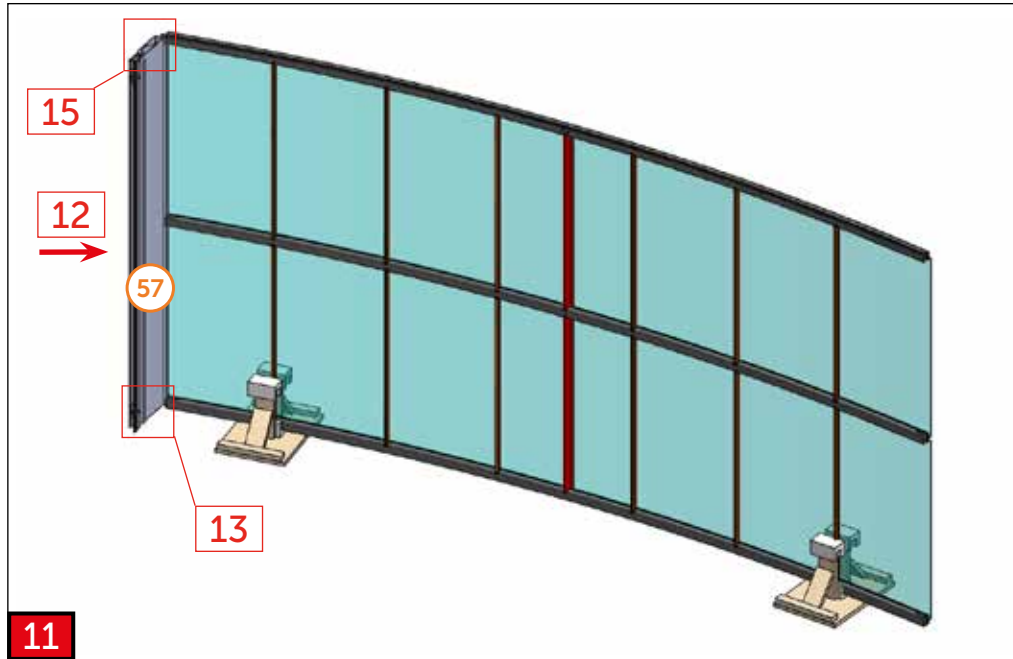


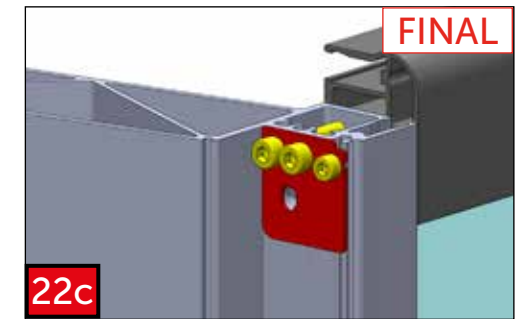
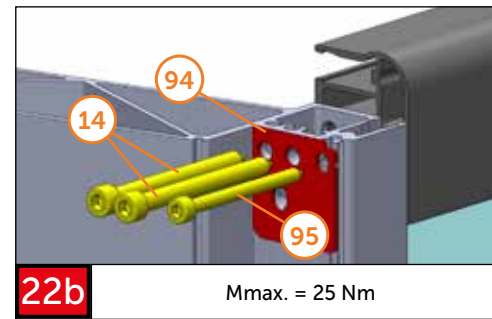
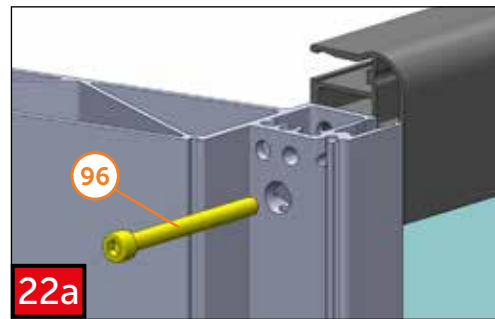
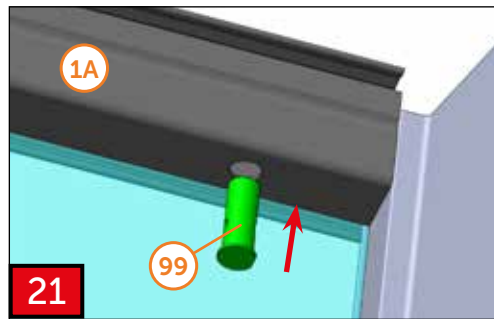
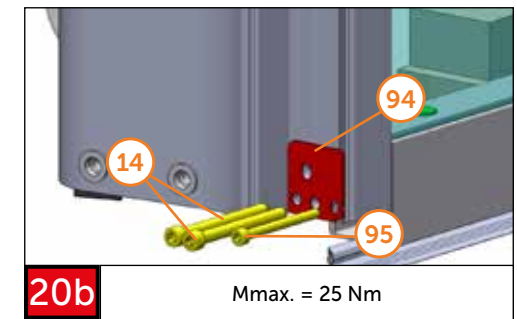
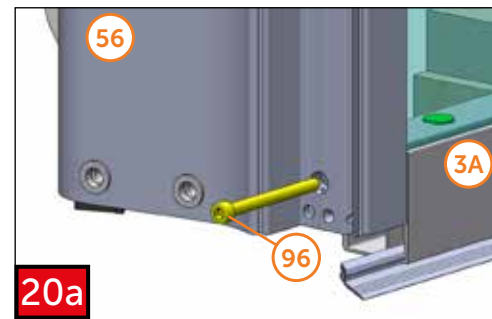
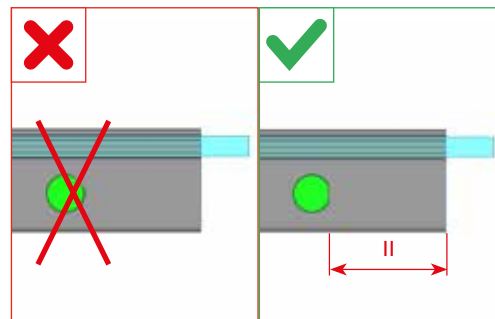
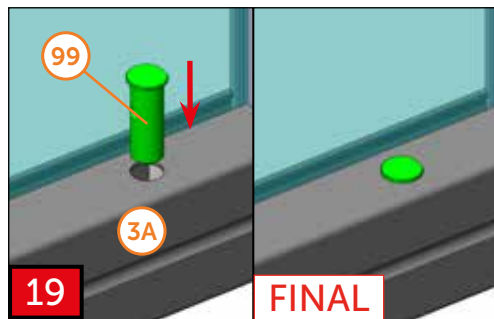
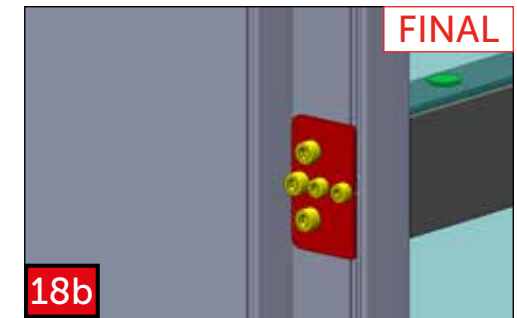
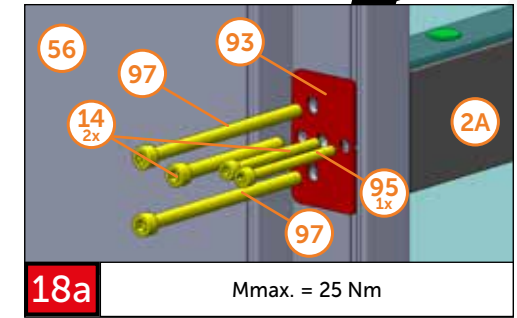
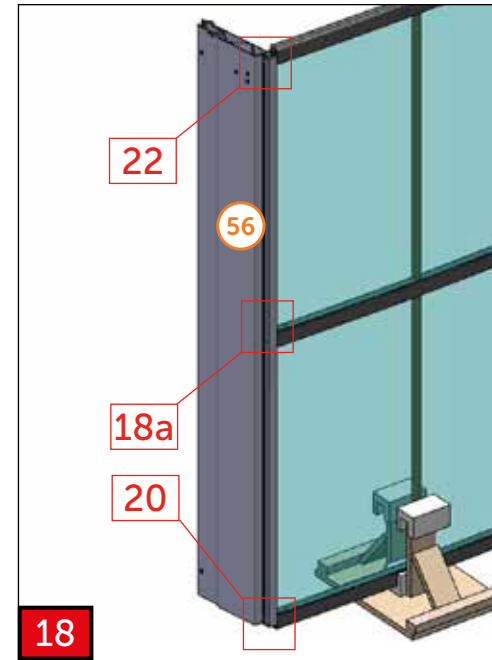
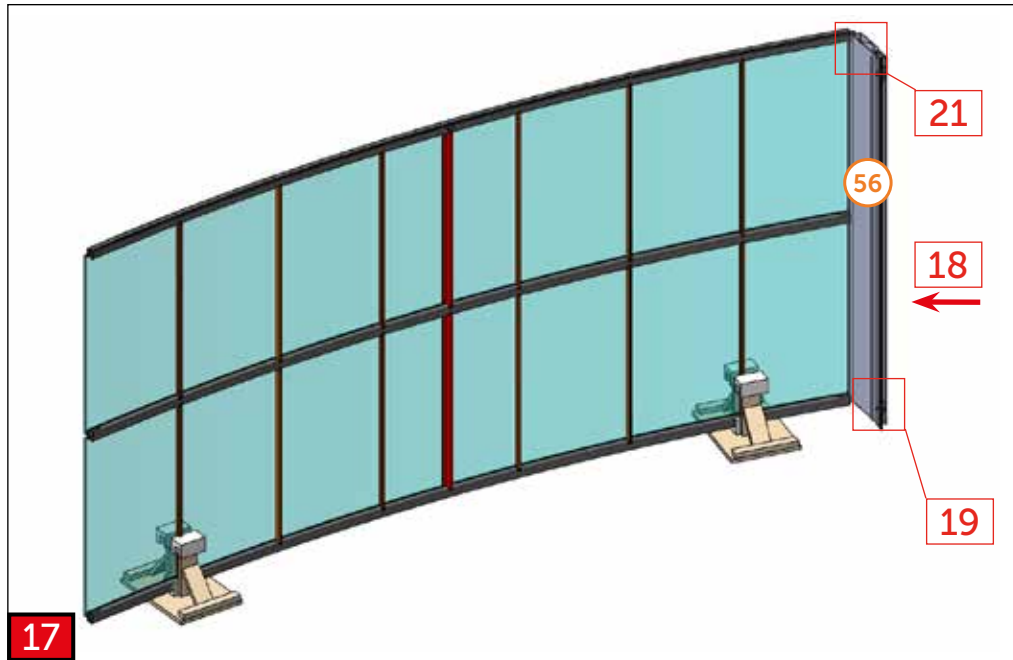


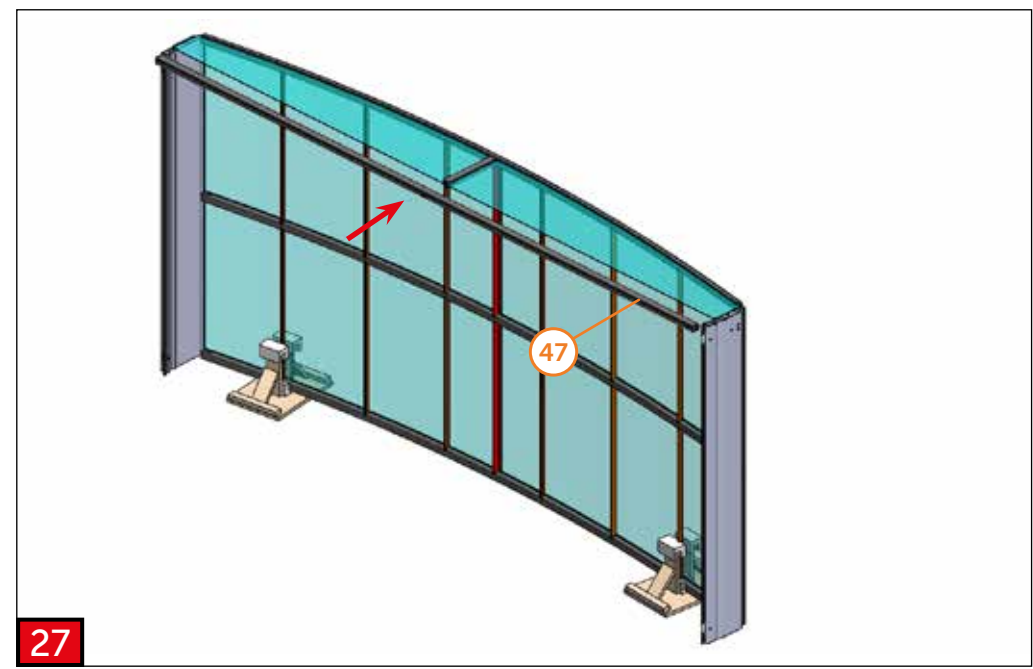
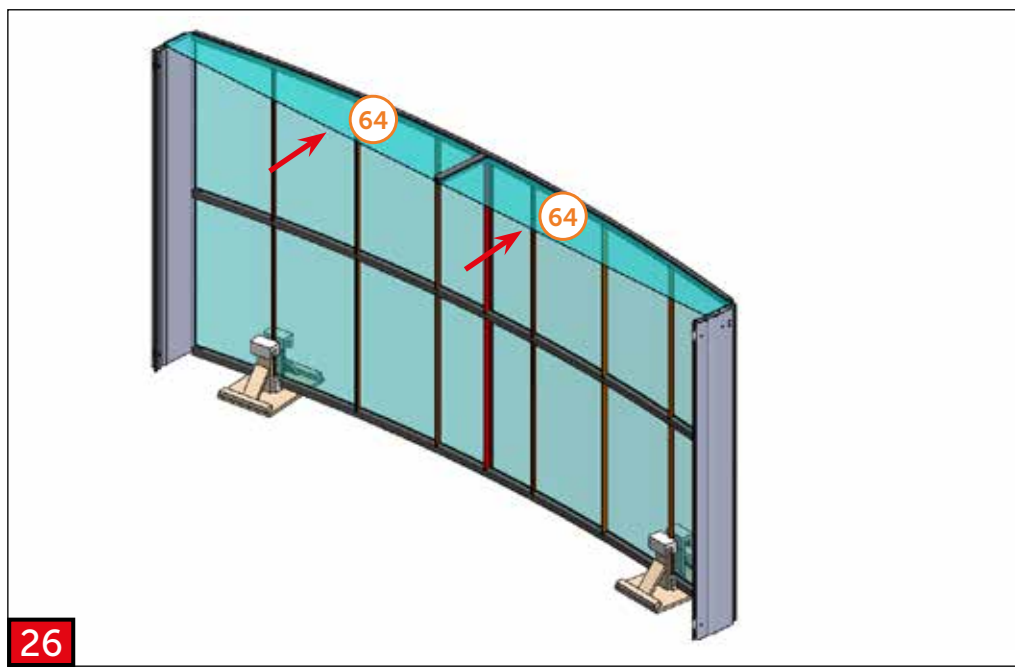
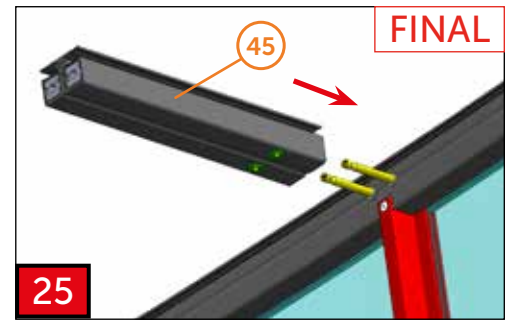
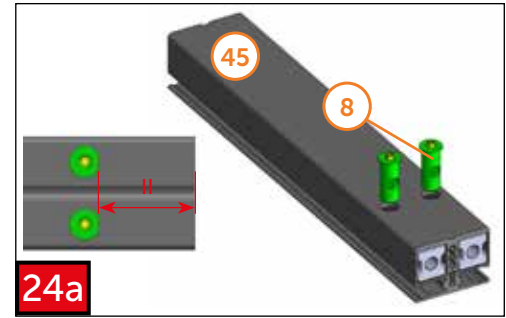
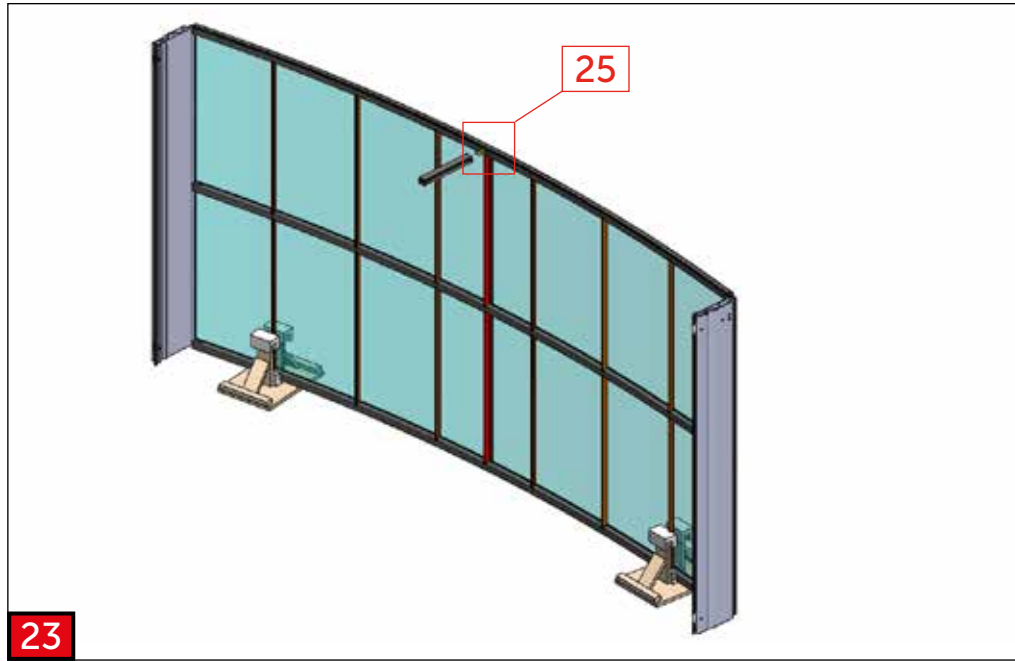
$M_{max.} = 25 \text{ Nm}$



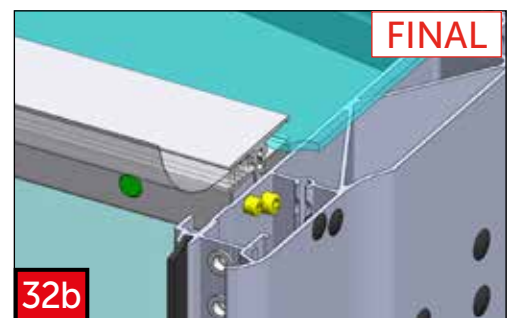
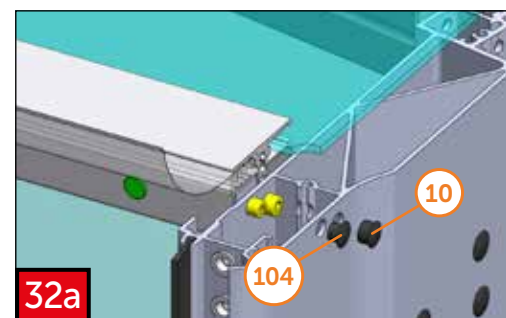
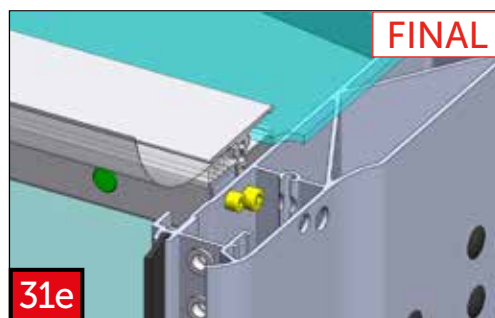
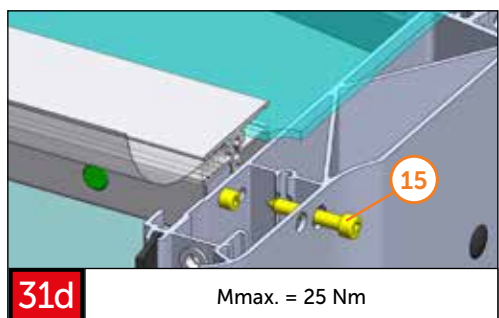
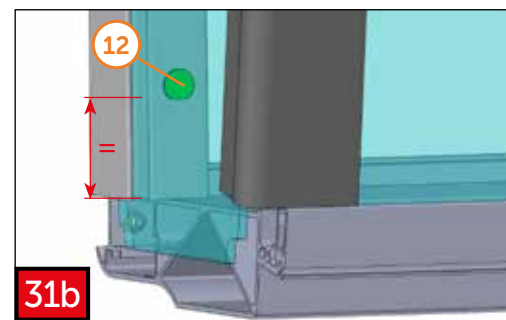
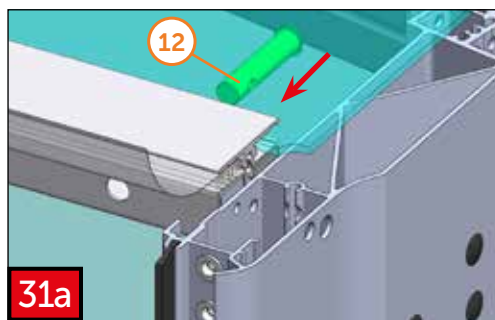
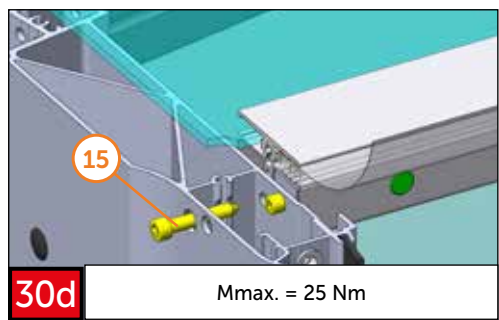
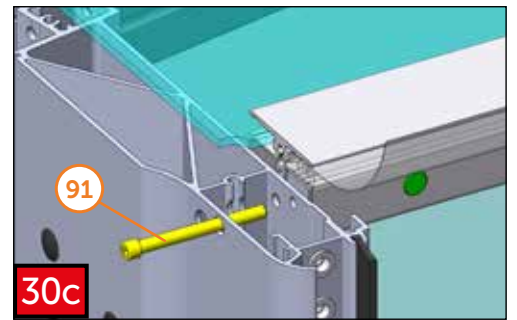
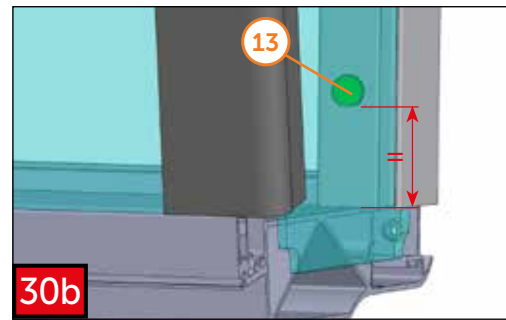
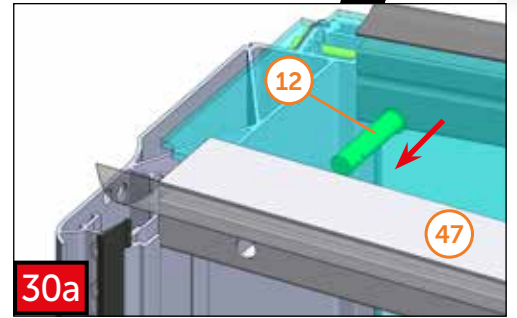
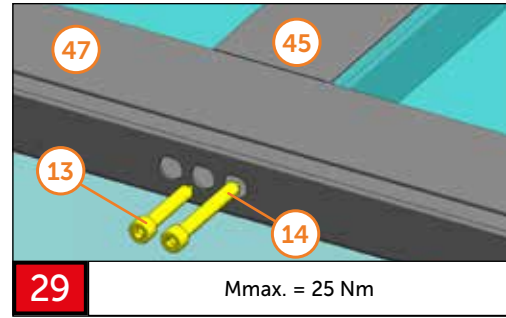
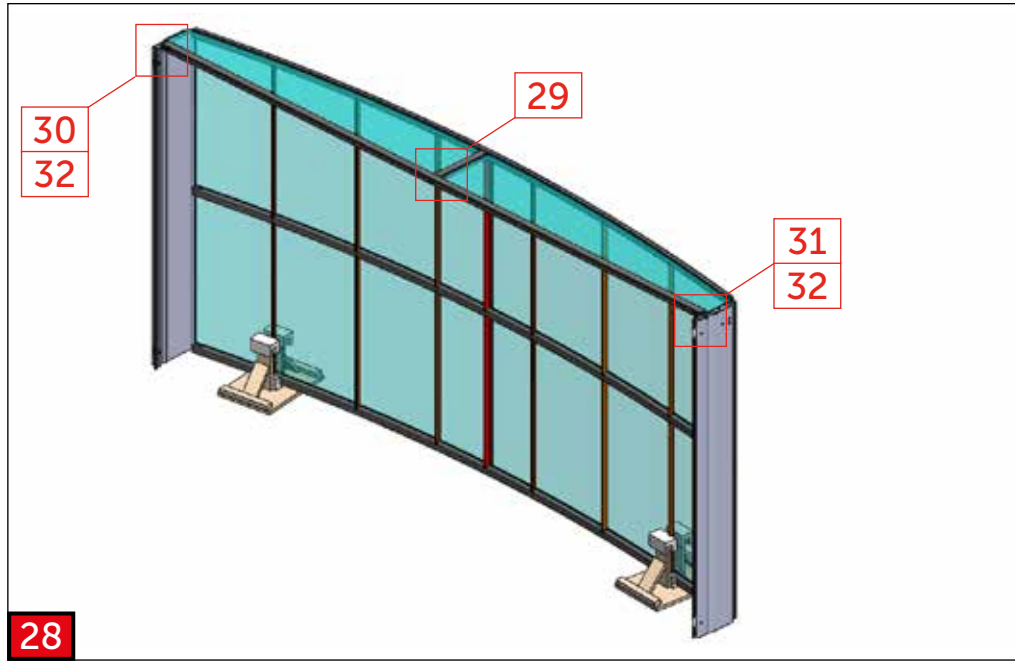






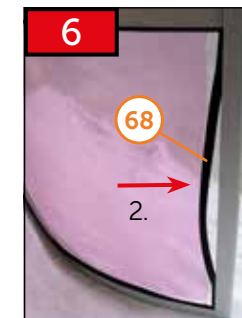
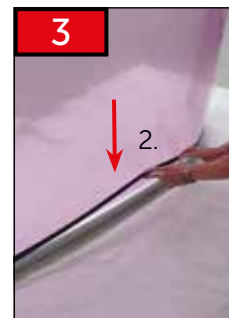
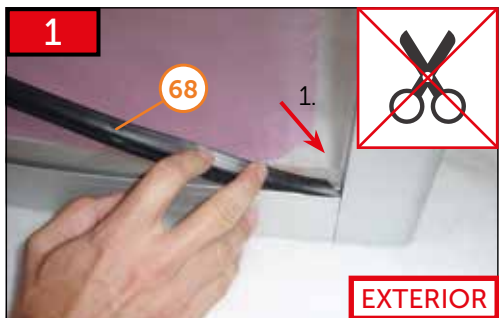
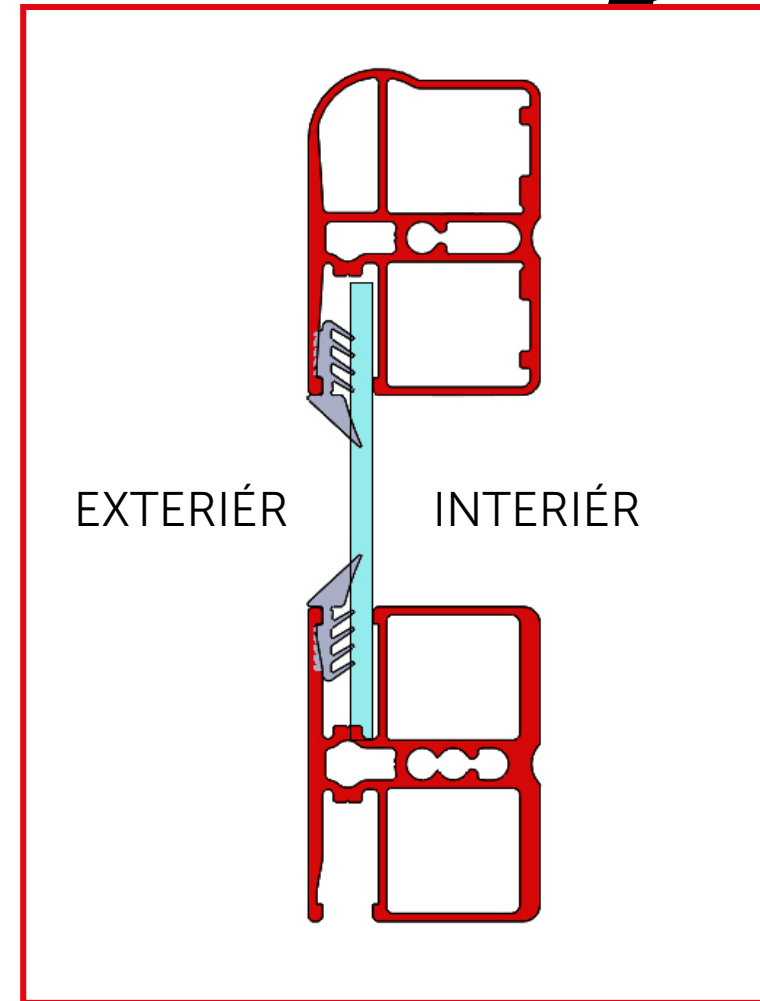
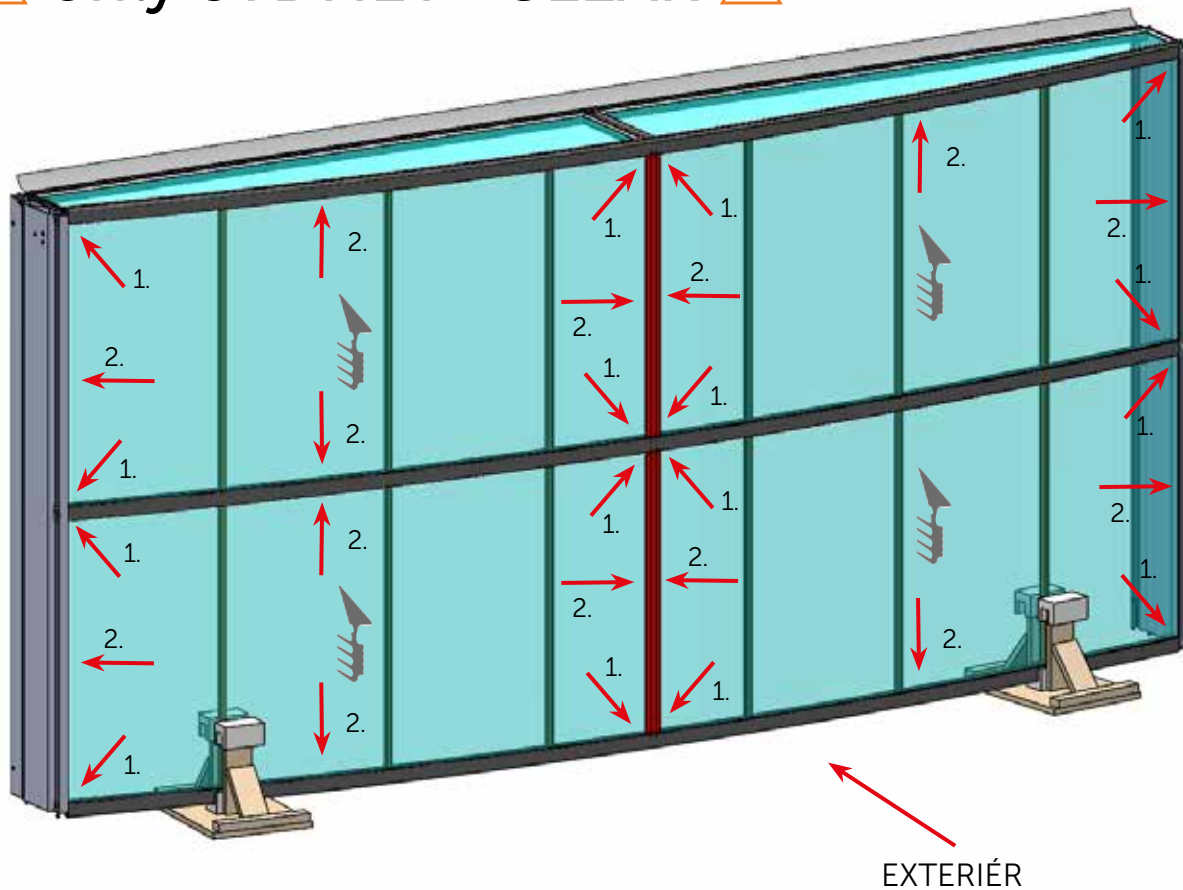


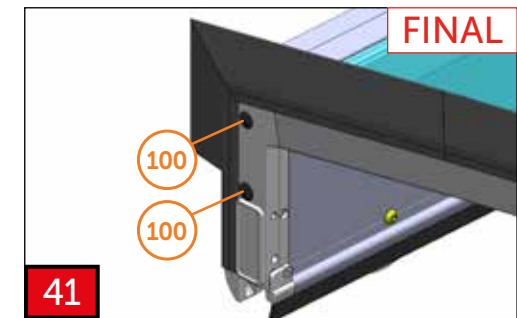
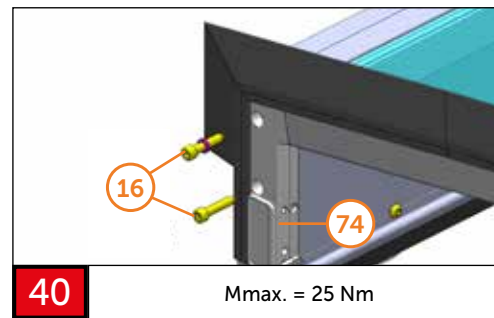
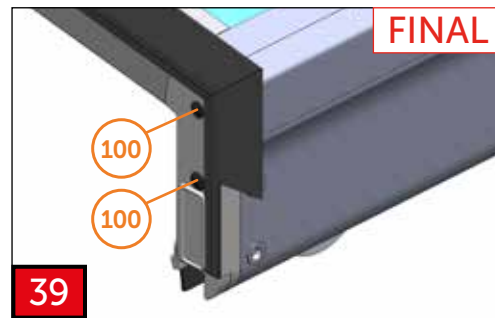
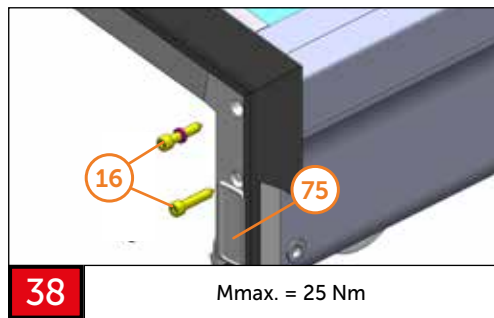
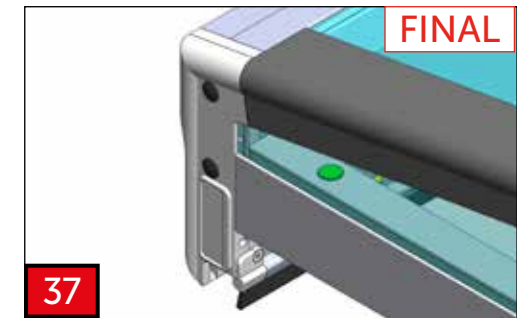
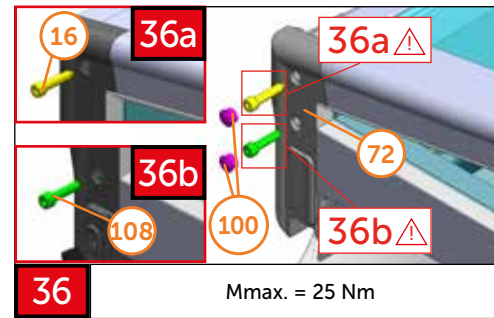
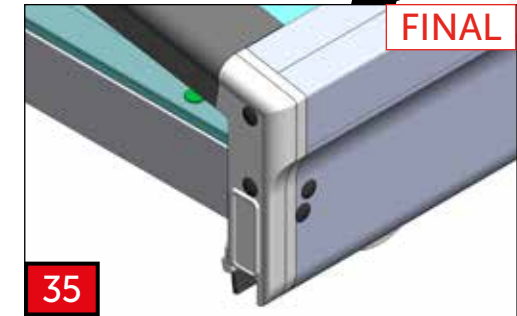
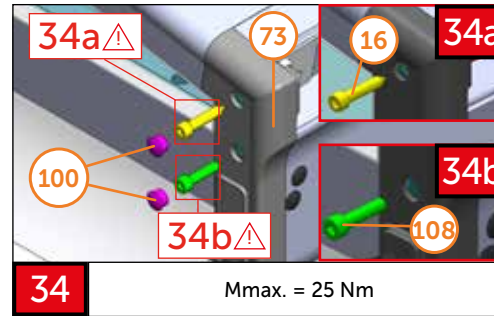
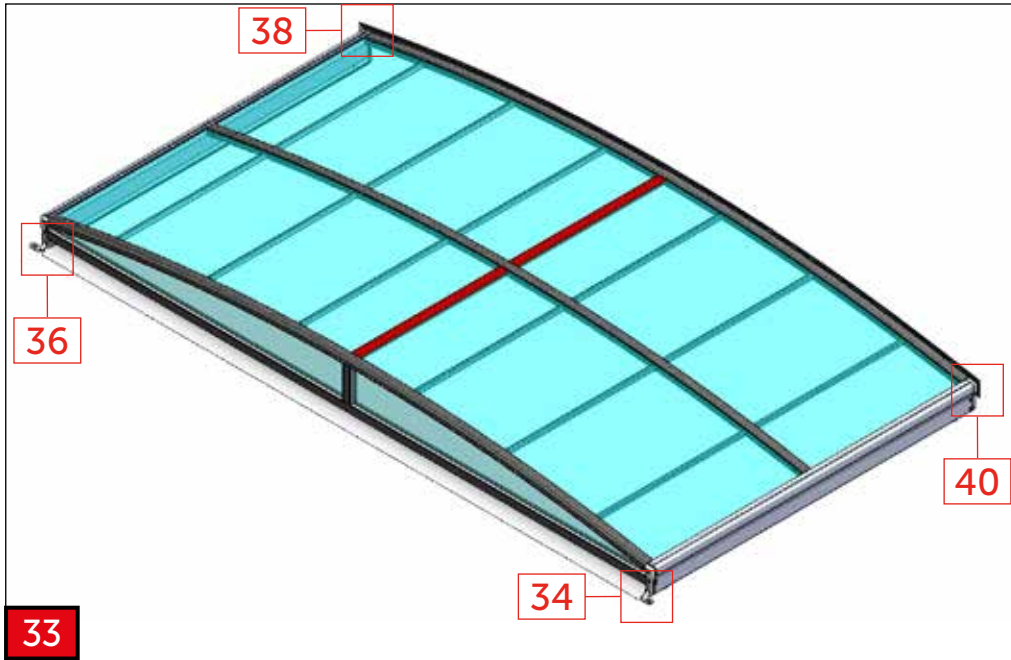


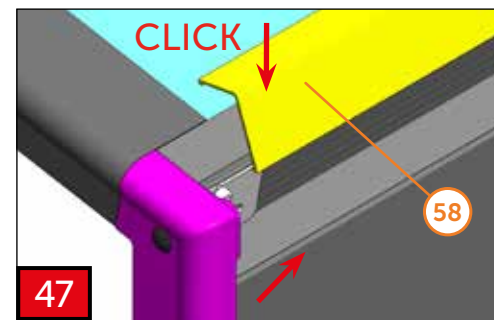
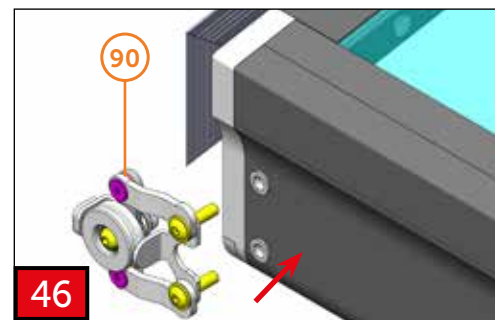
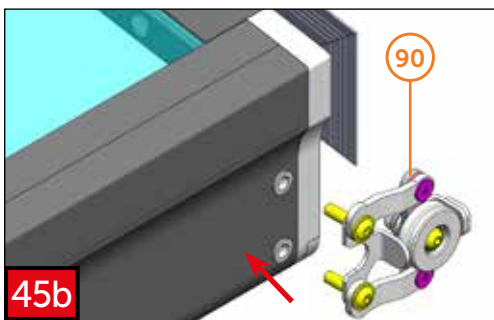
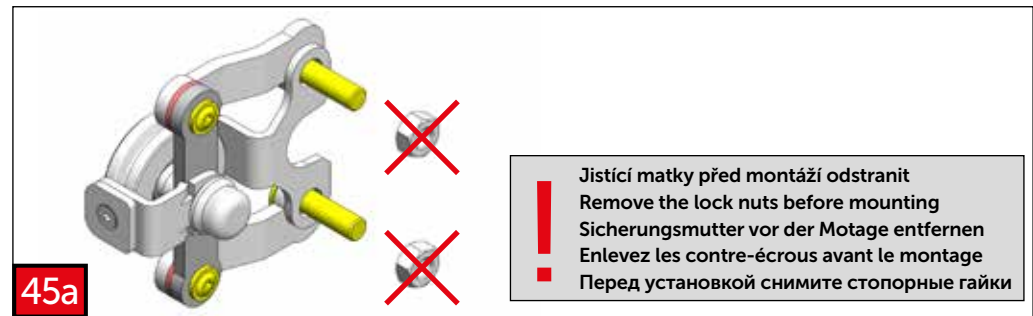
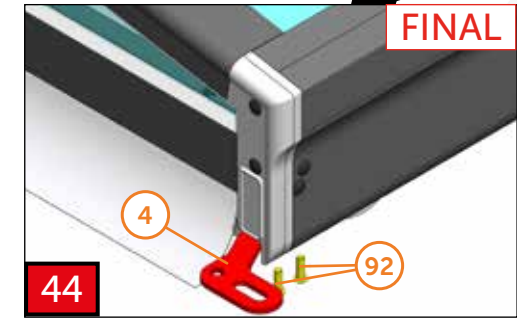
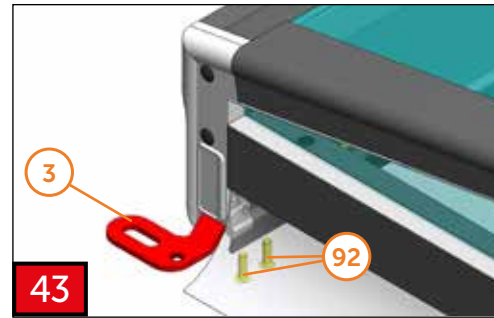
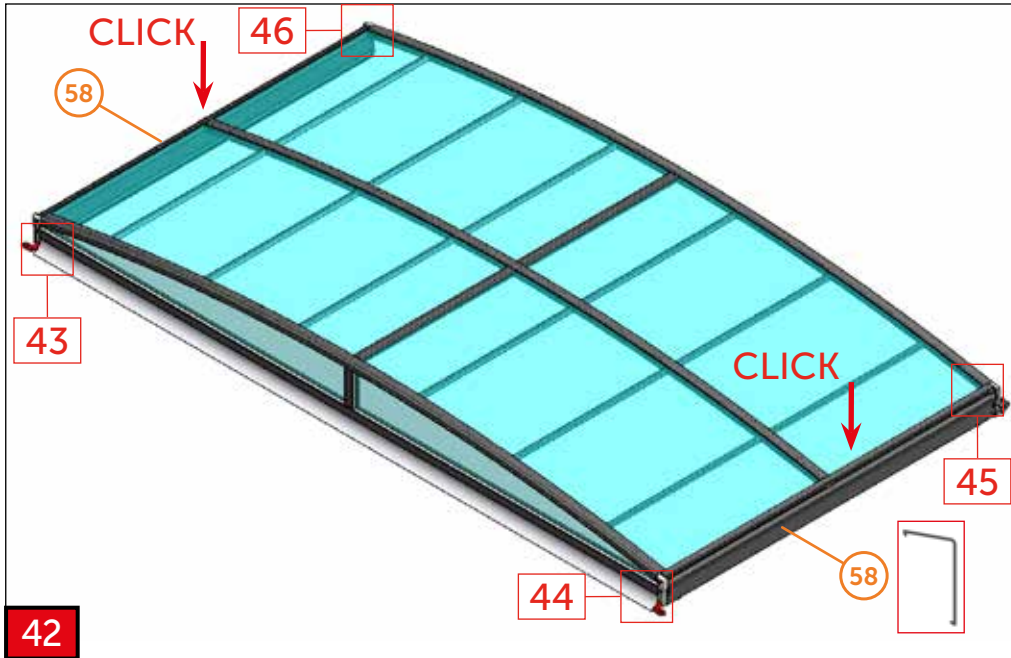




### ⚠ only SYDNEY CLEAR ⚠

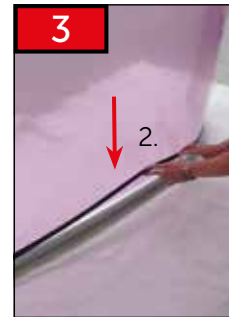
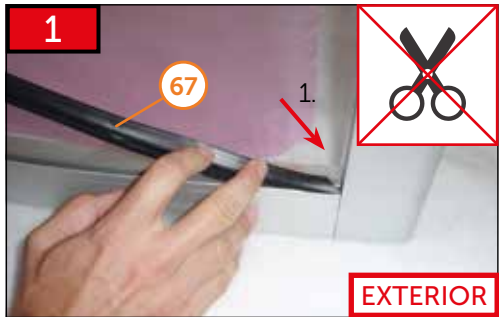
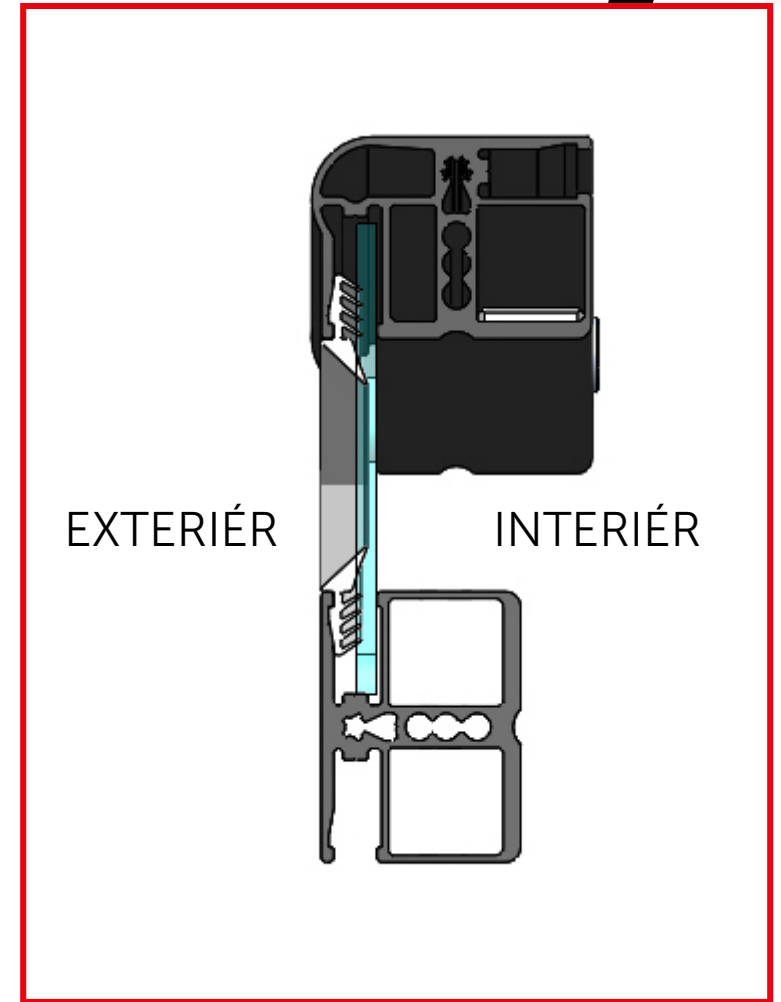
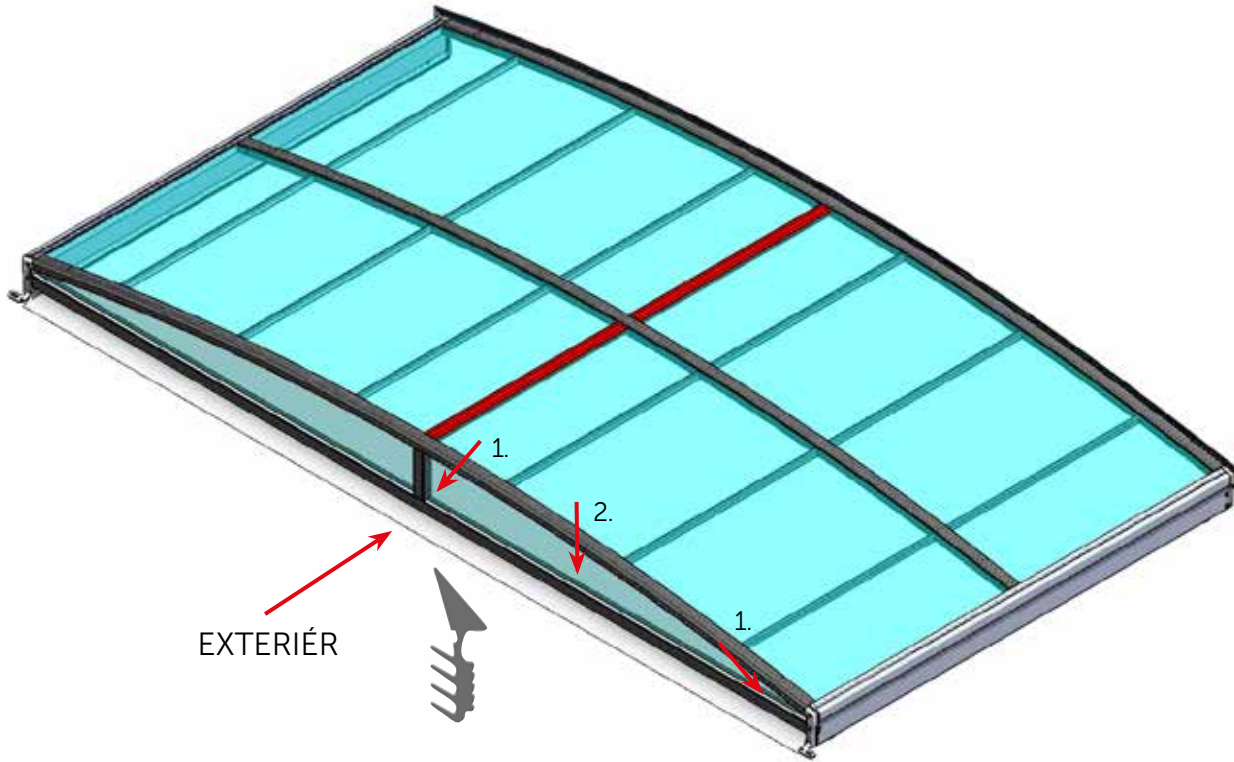








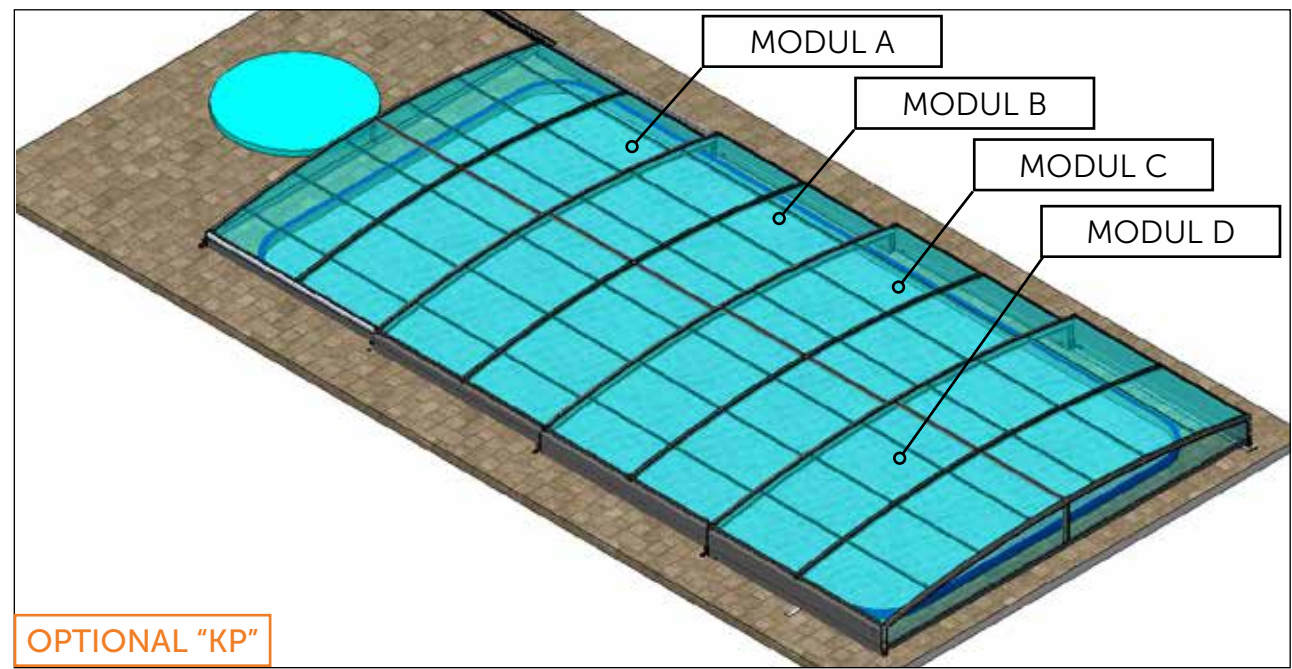
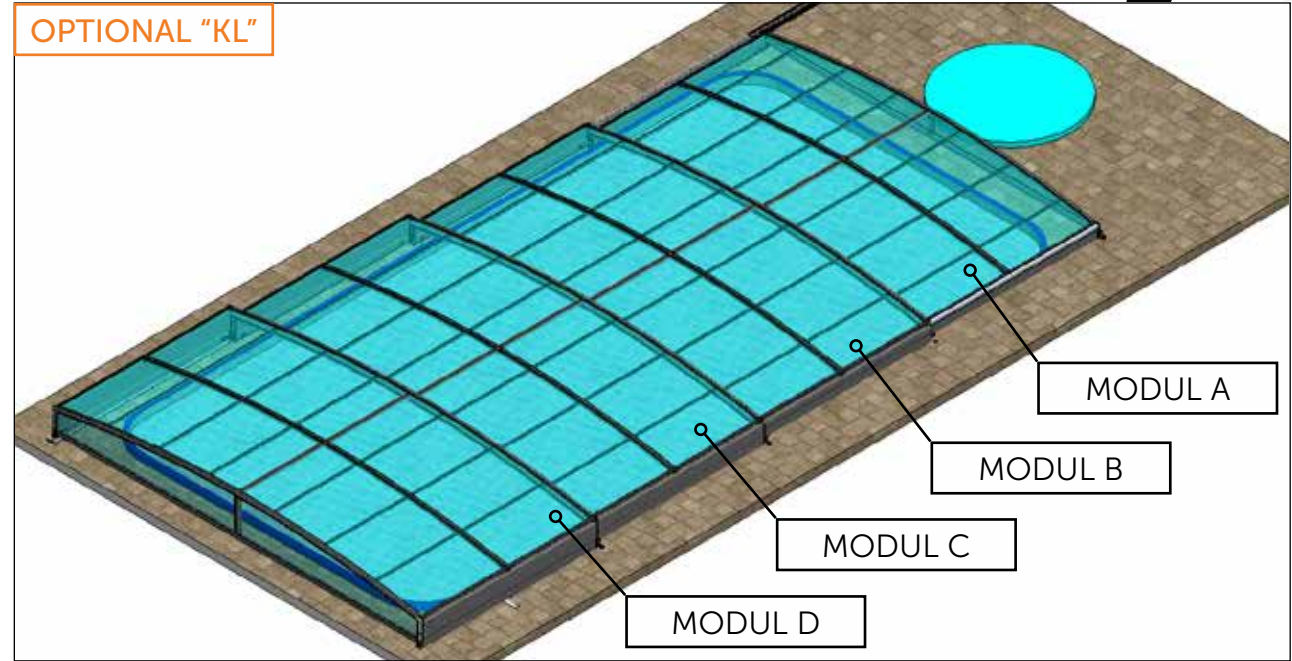
⚠ only SYDNEY CLEAR ⚠



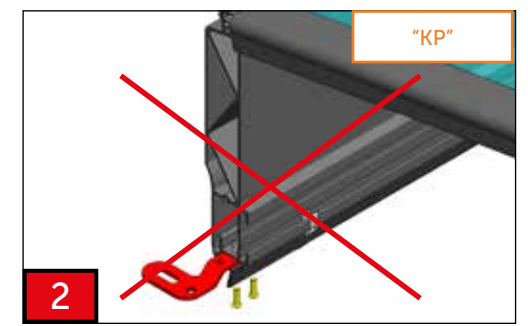
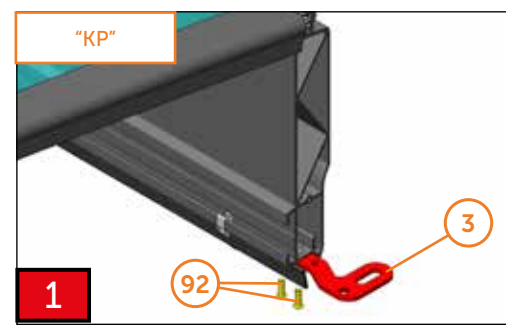
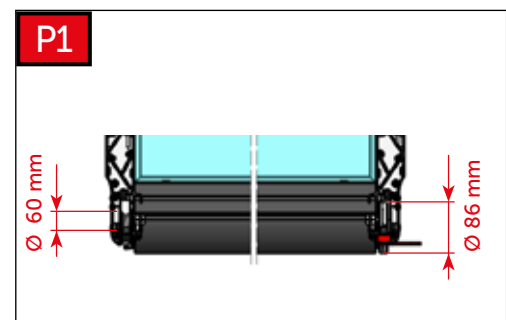
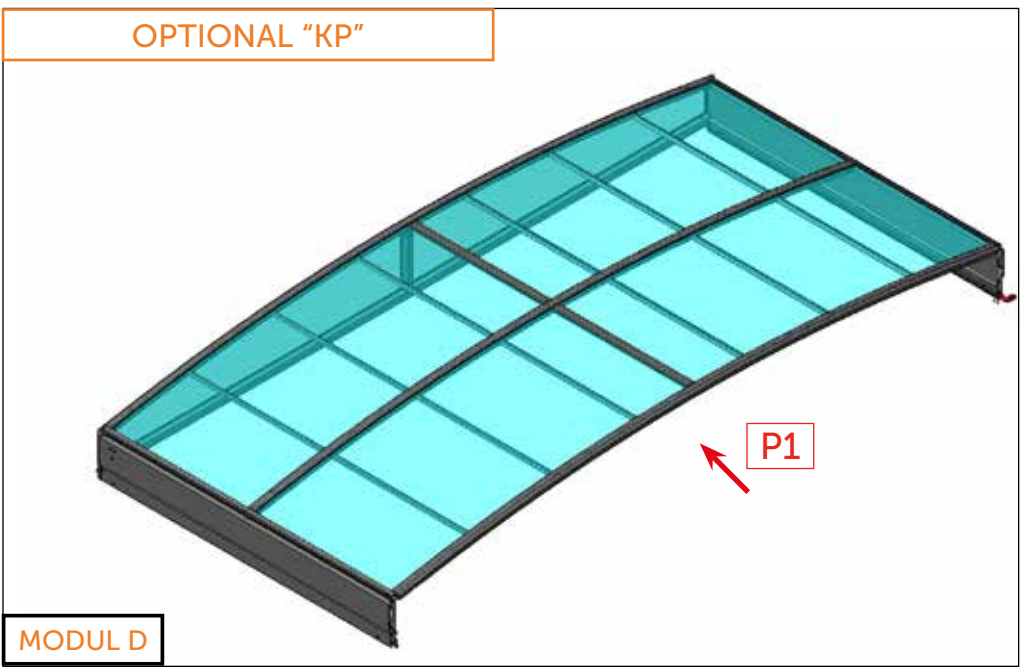
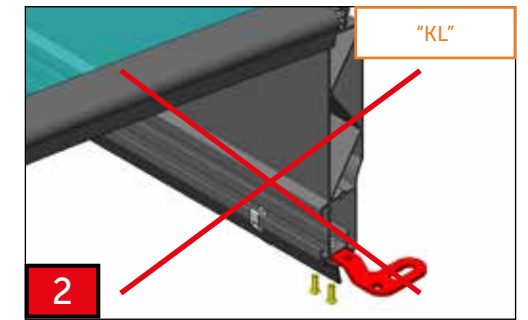
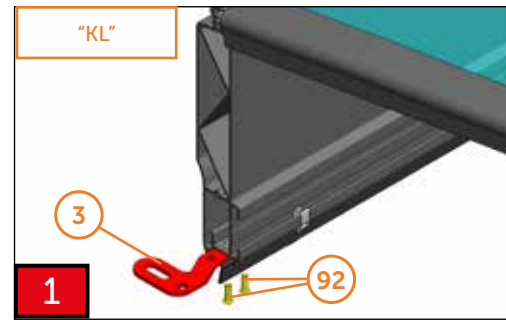
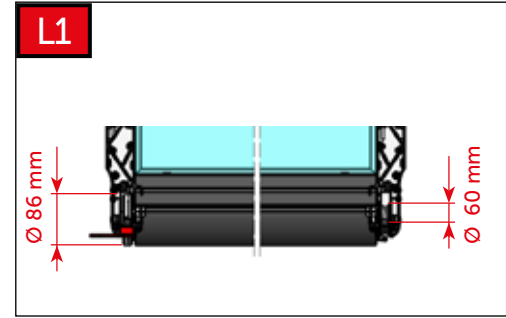
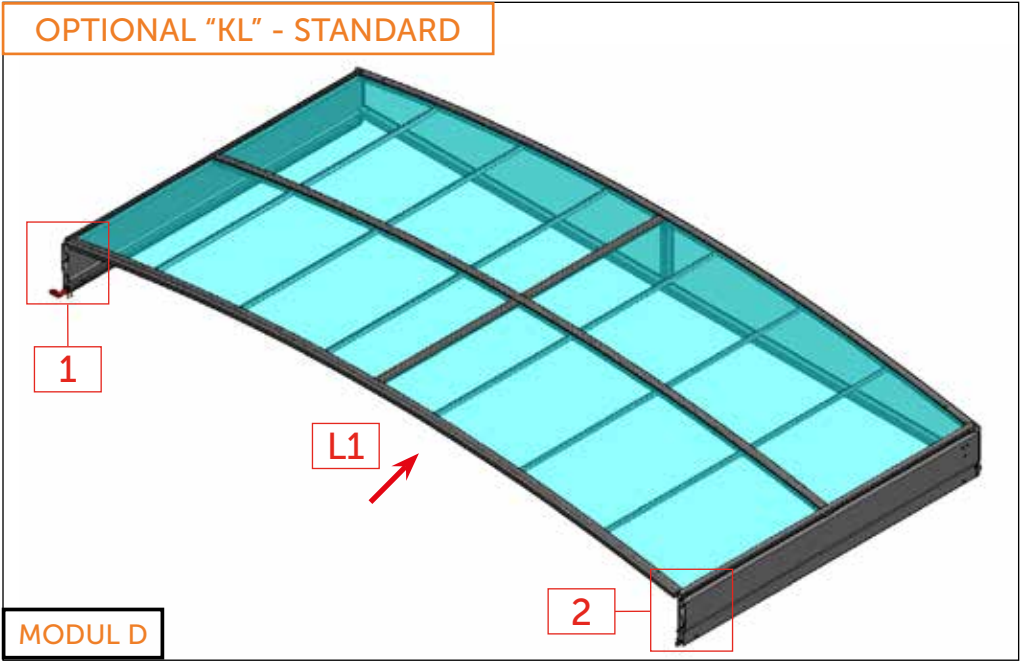


Umístění modulů na bazén  
 Placing of modules on the swimming pool  
 Lage der Module auf dem Pool  
 Emplacement des modules au-dessus de la piscine  
 Расположение модулей на бассейне

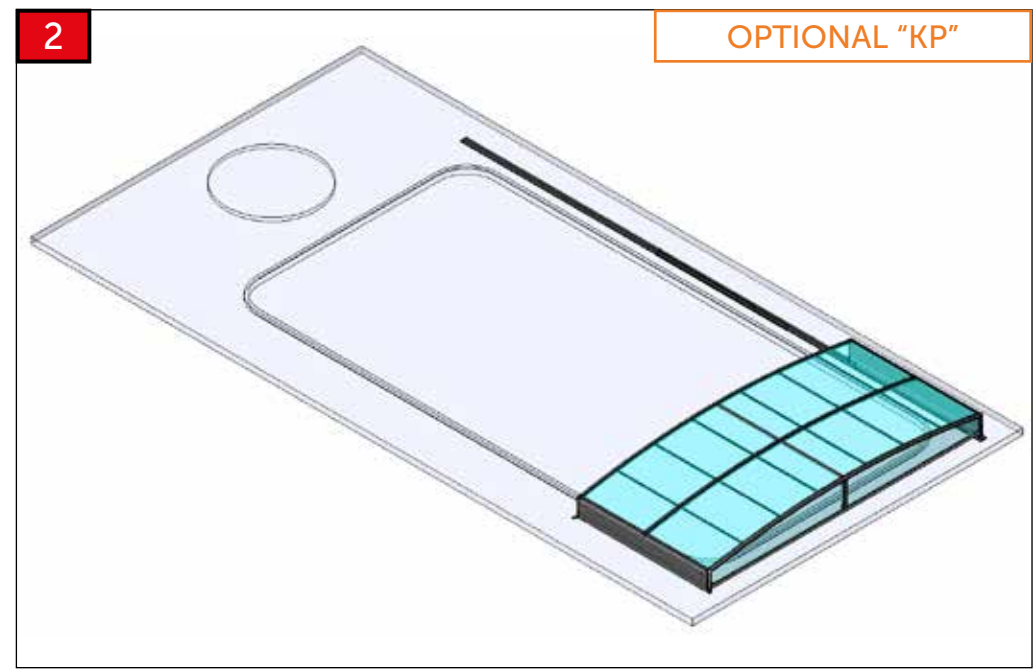
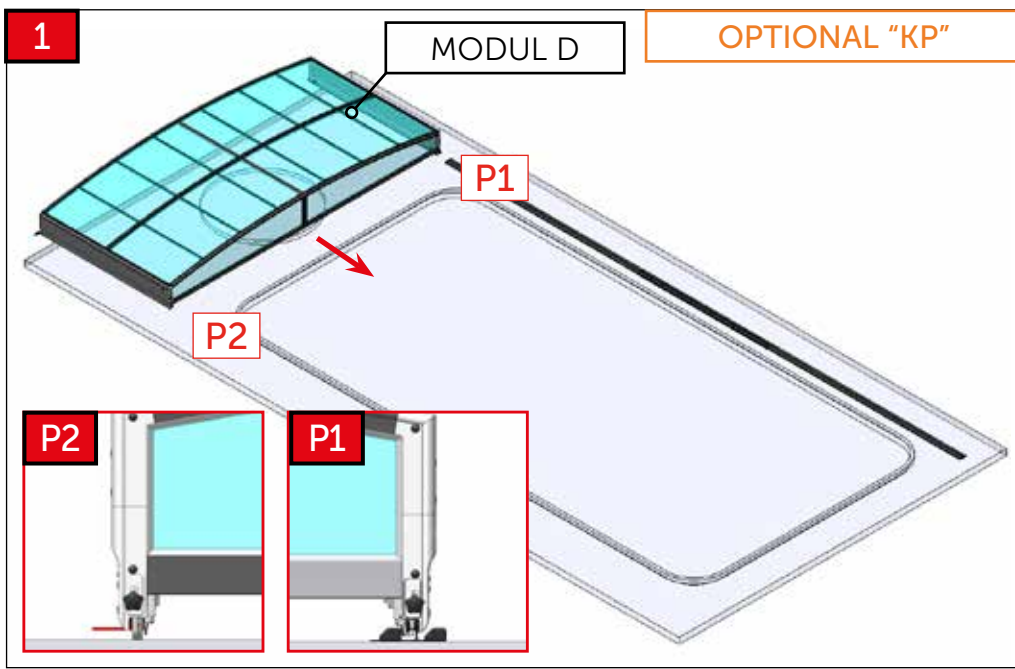
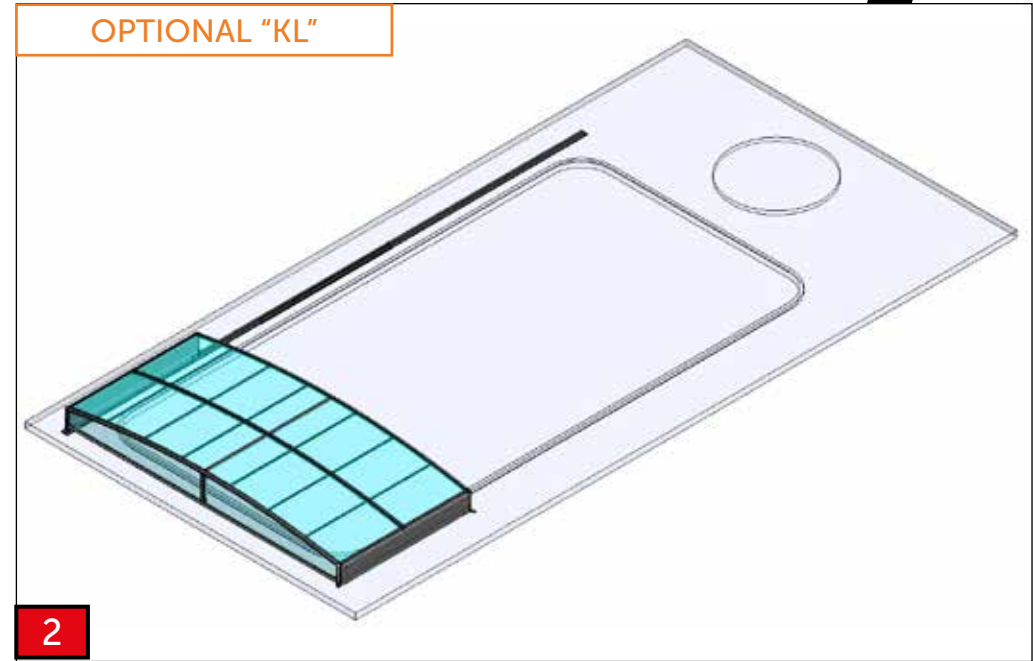
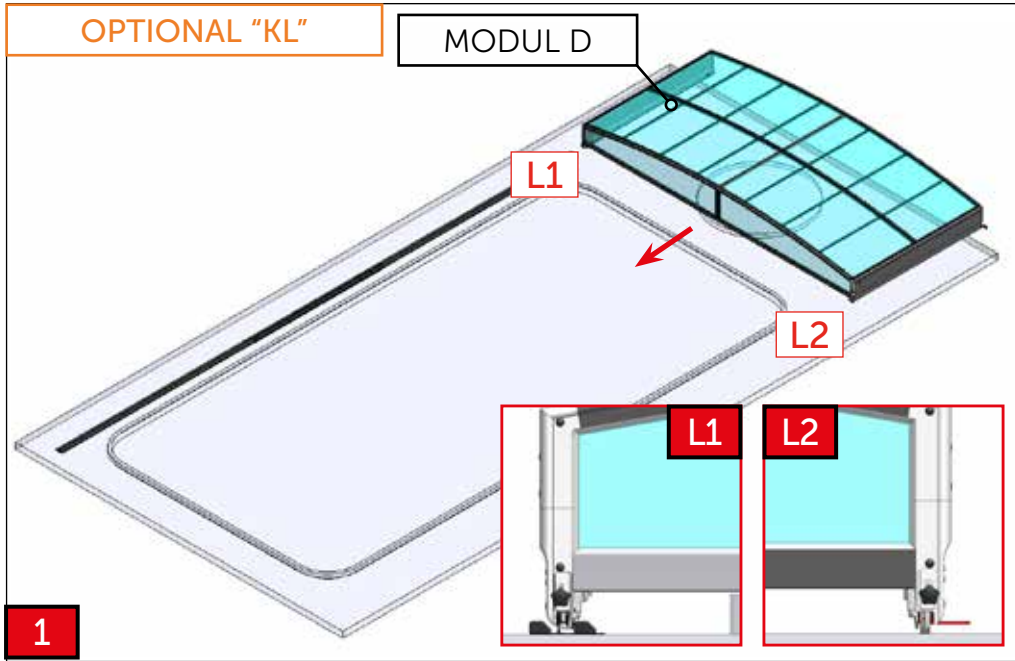
OPTIONAL "KL"

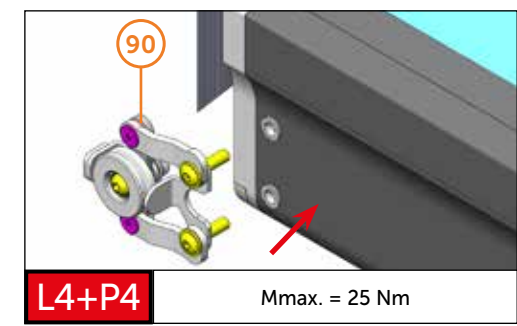
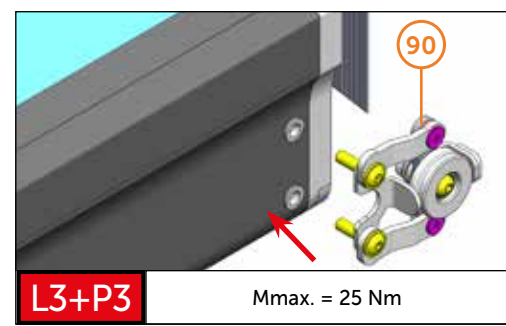
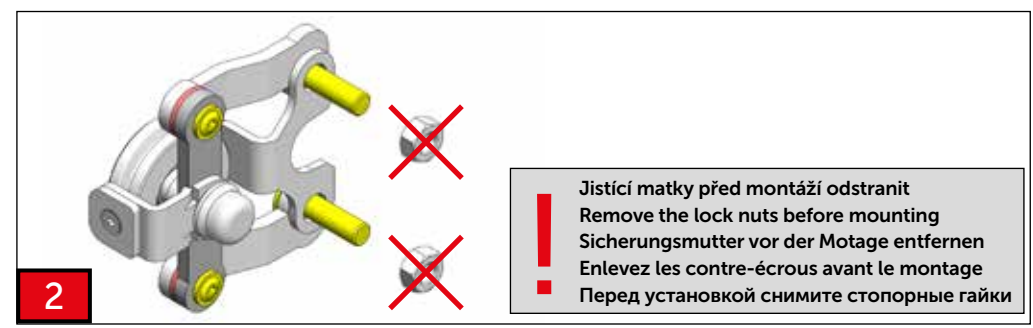
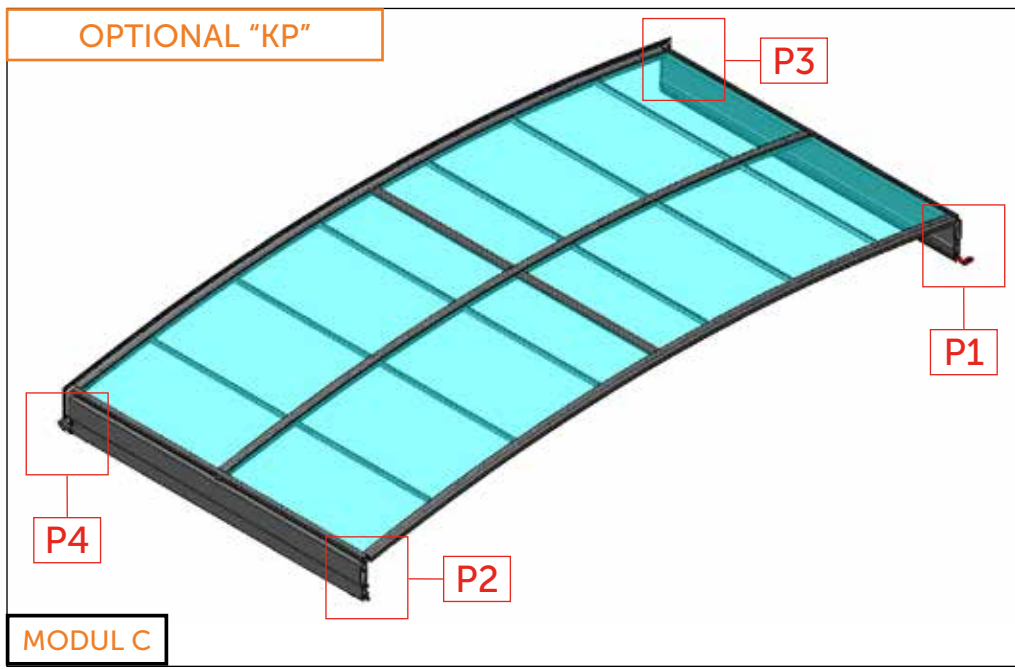
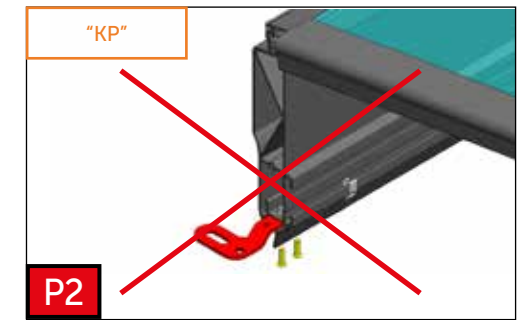
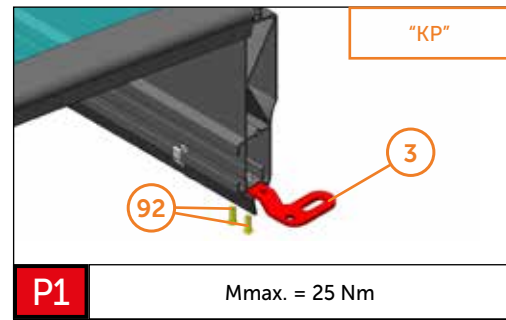
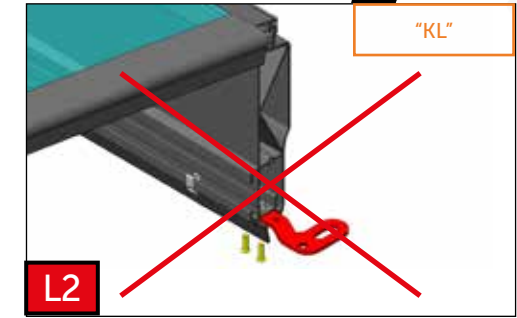
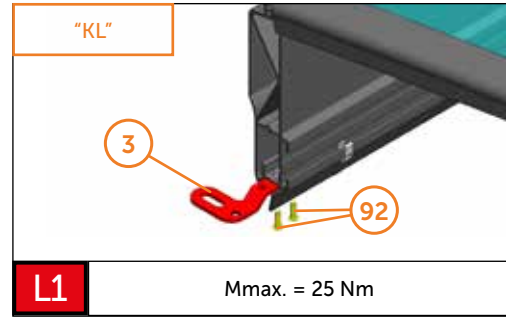
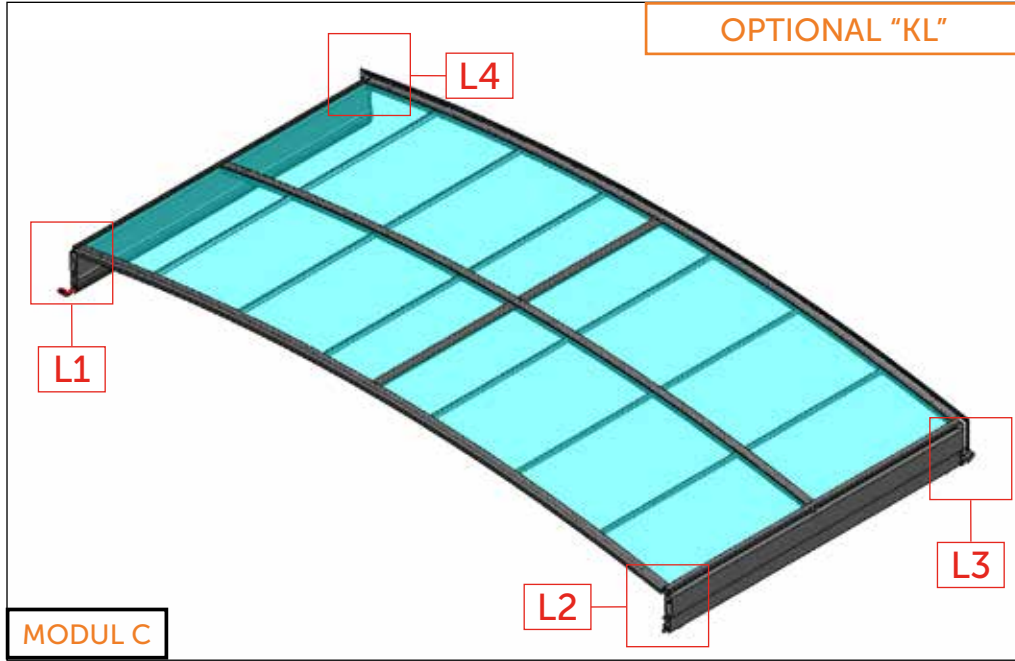


OPTIONAL "KP"

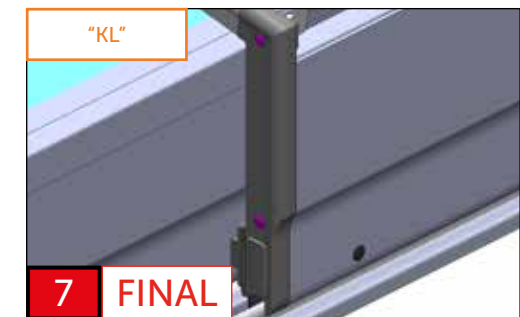
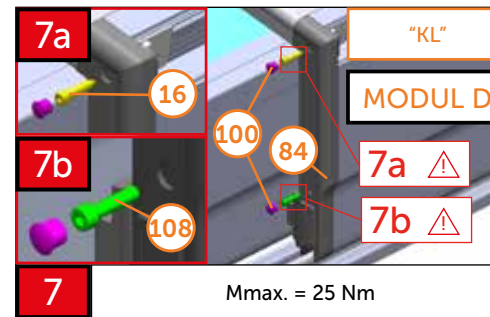
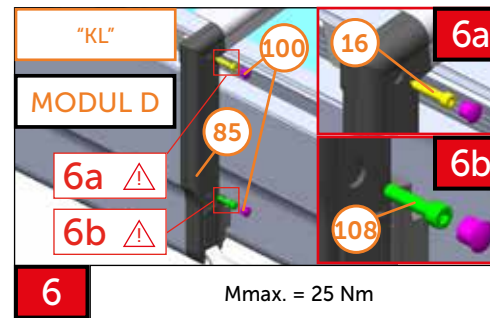
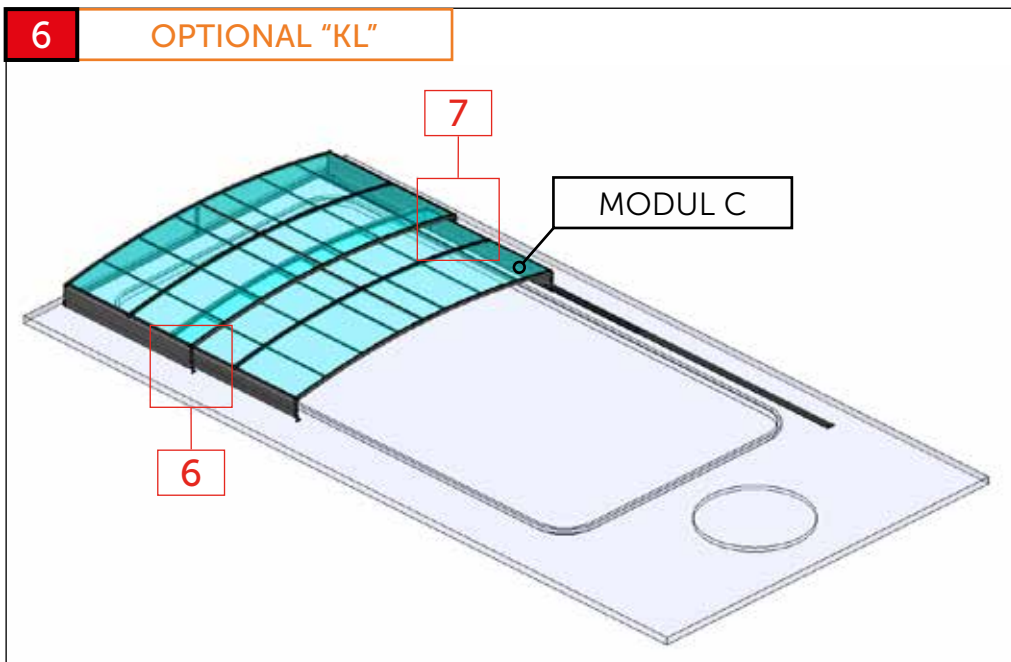
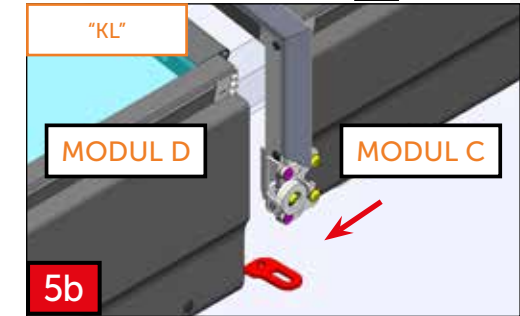
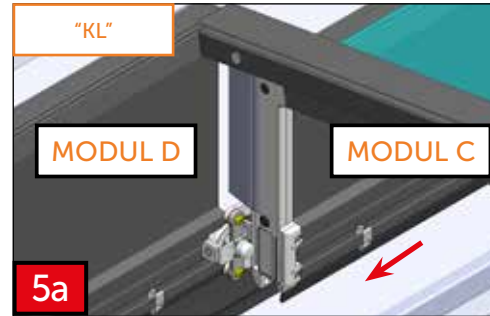
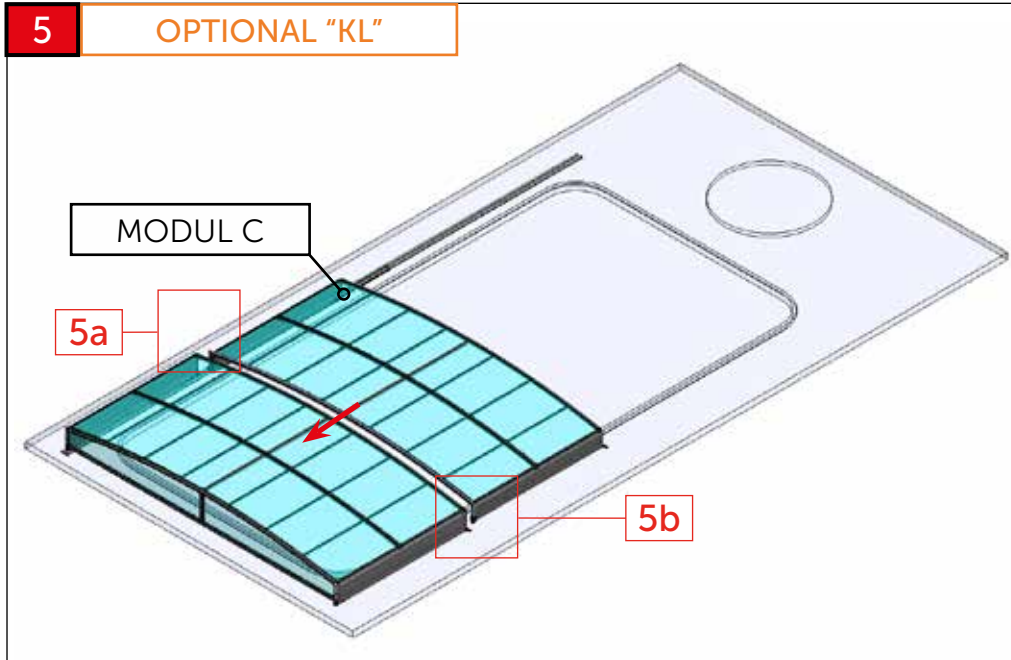


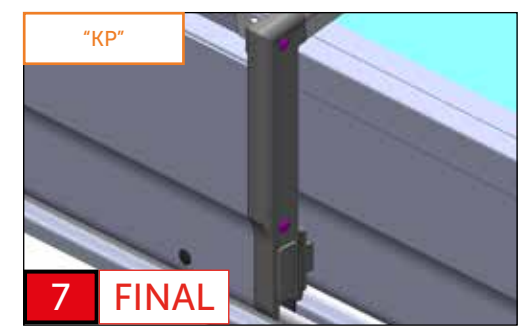
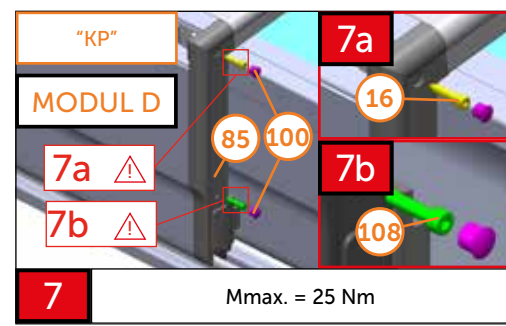
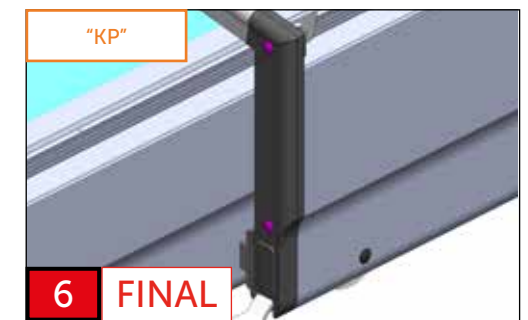
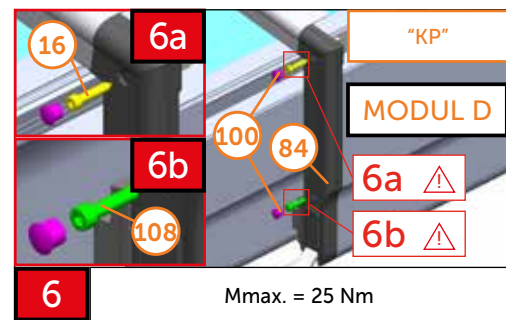
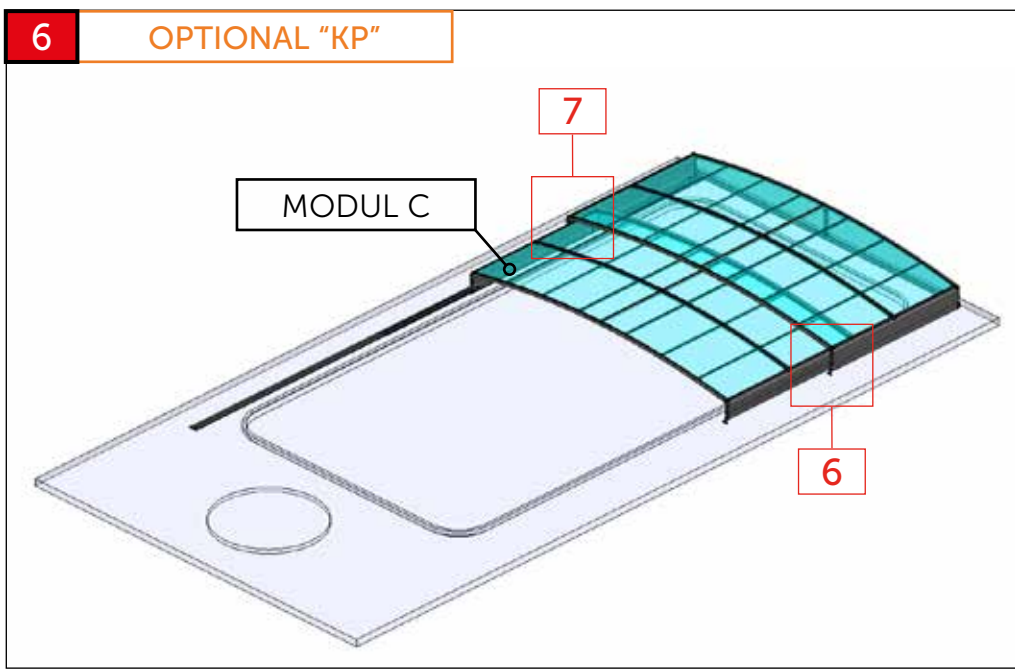
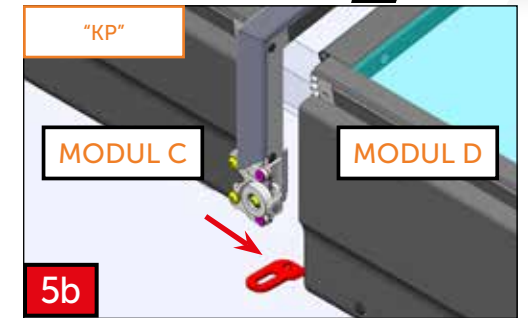
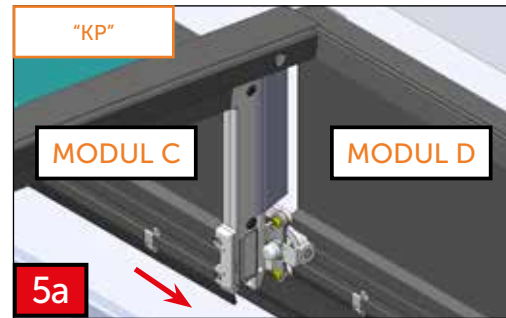
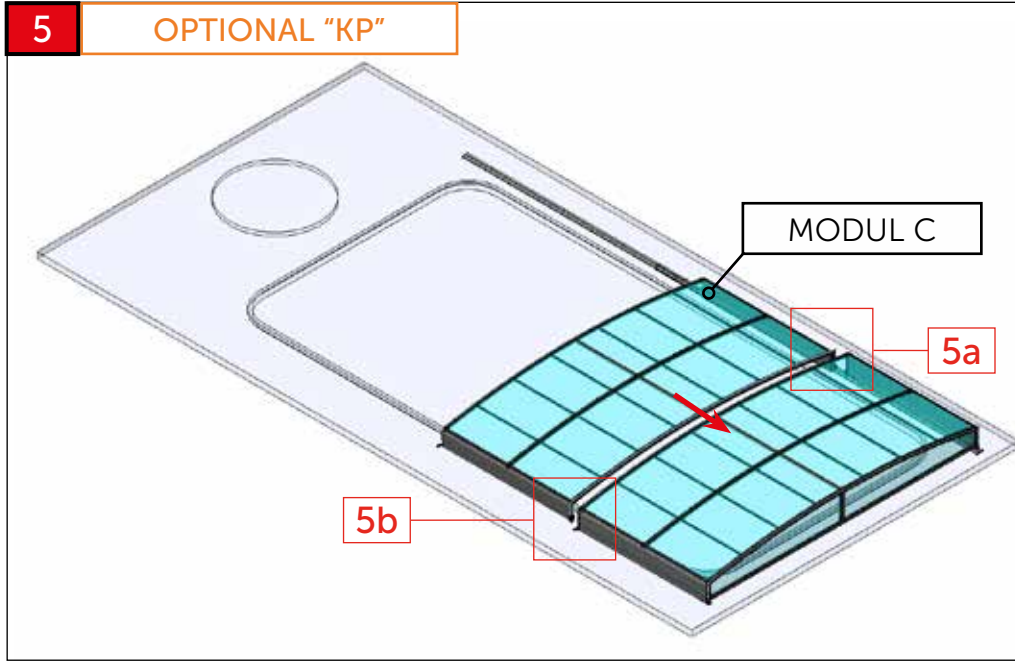




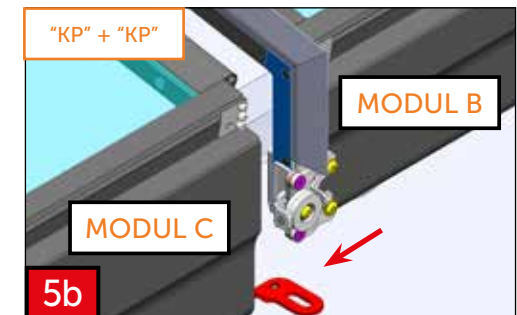
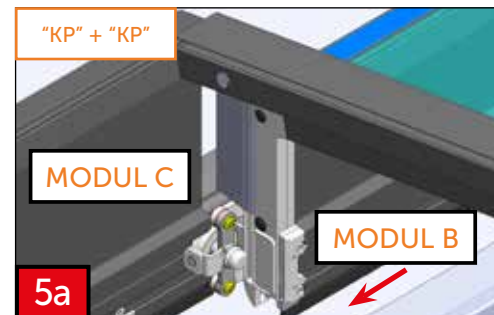
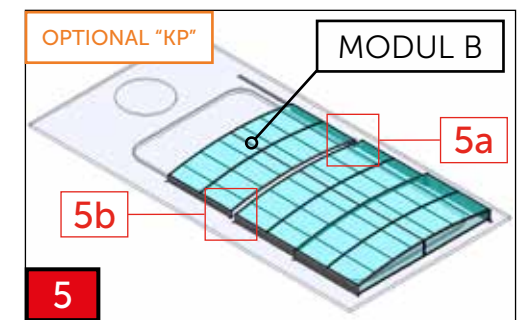
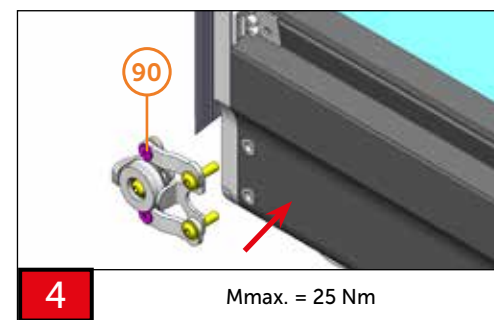
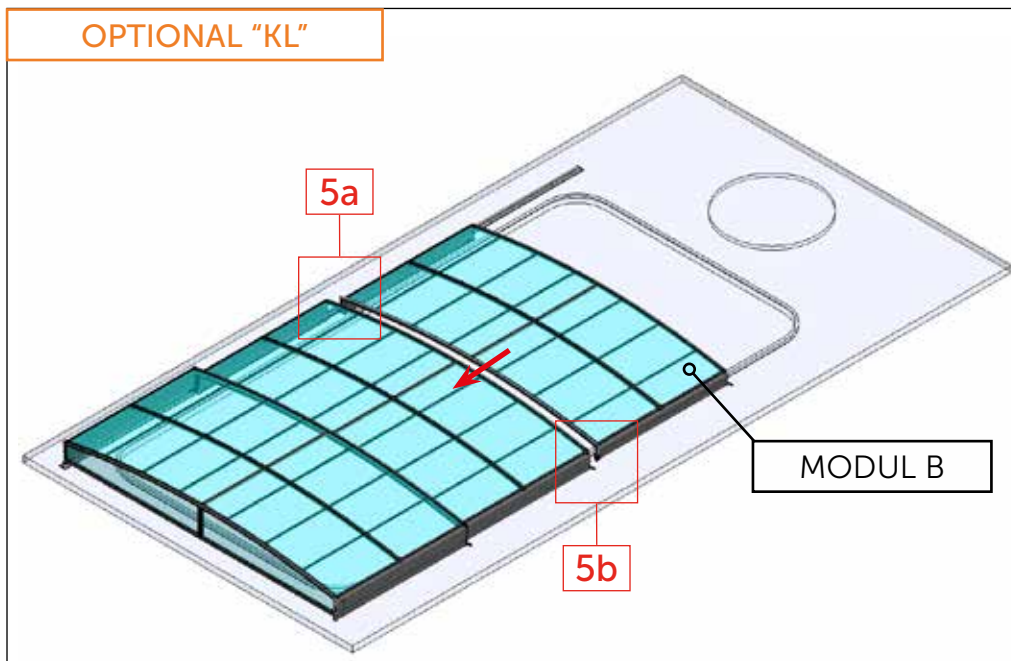
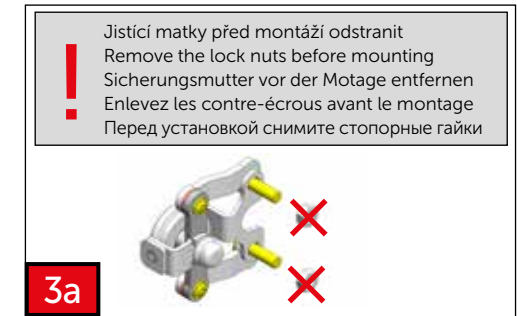
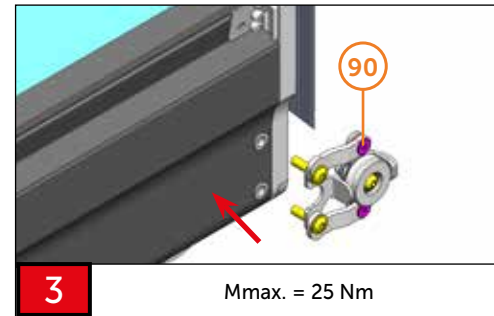
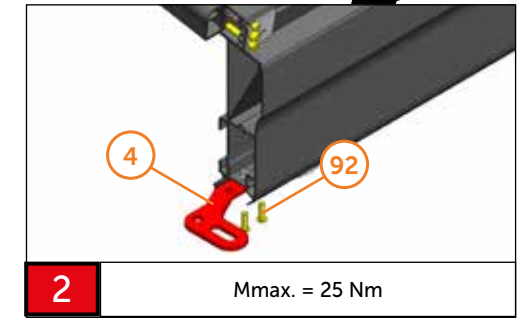
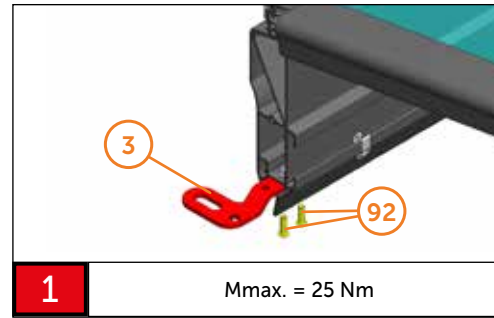
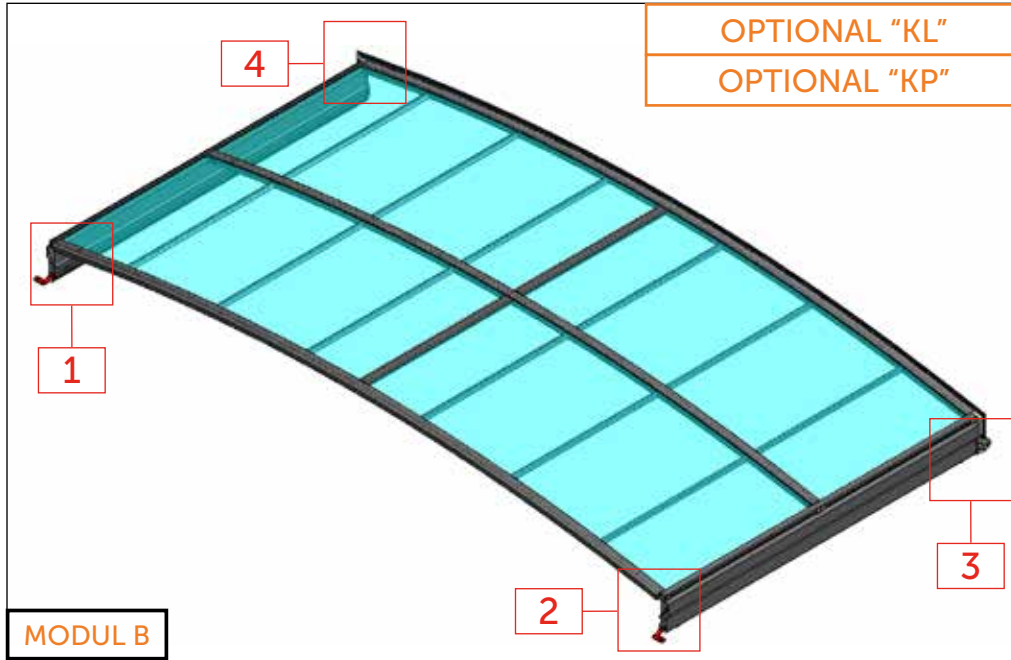


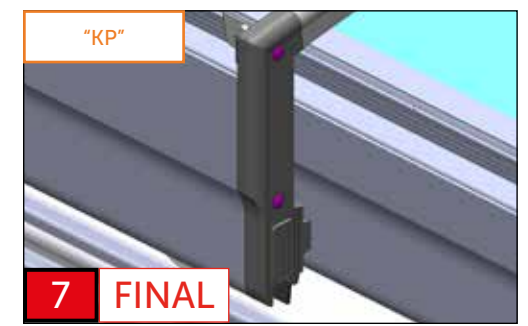
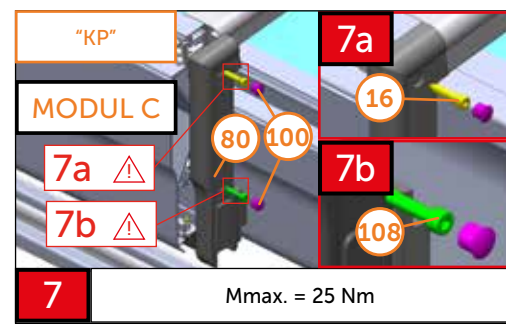
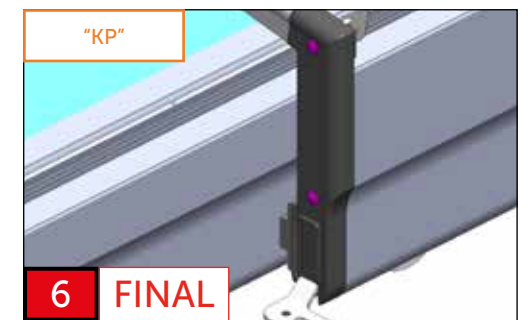
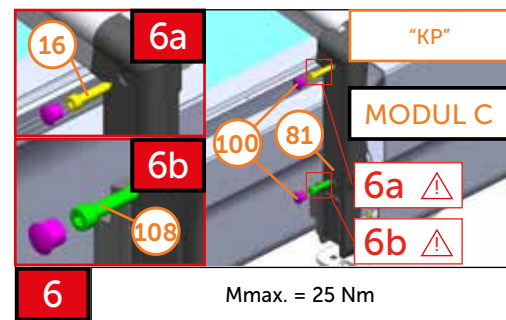
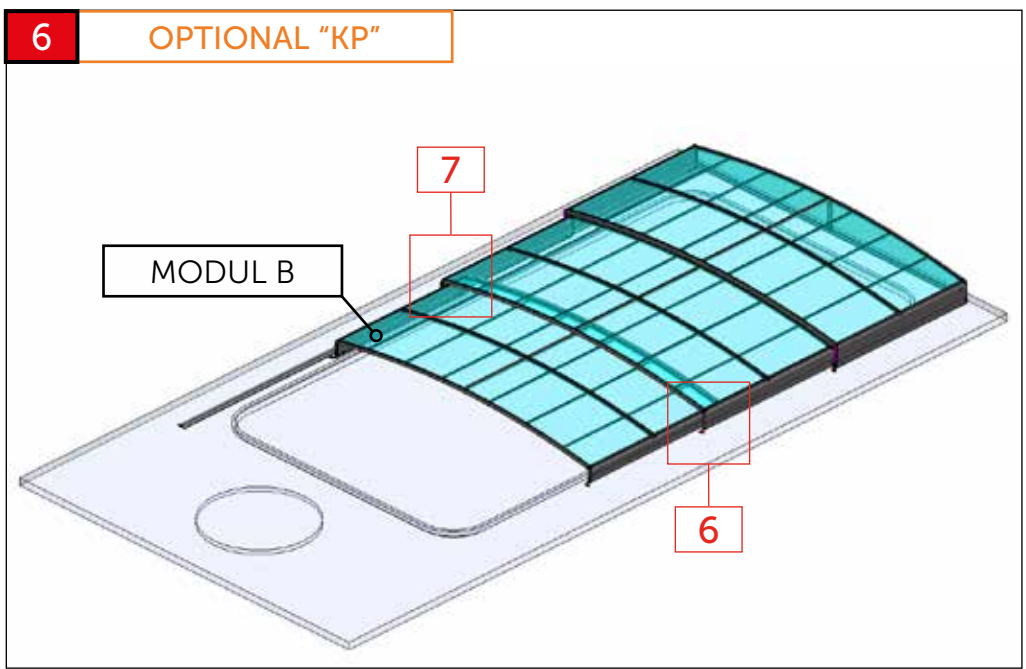
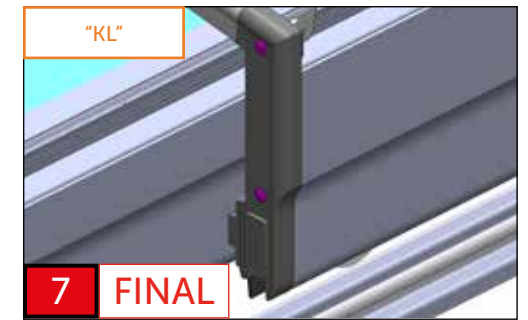
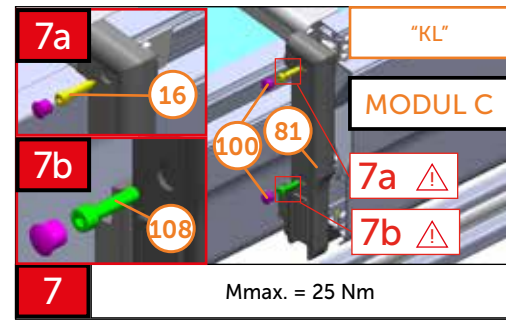
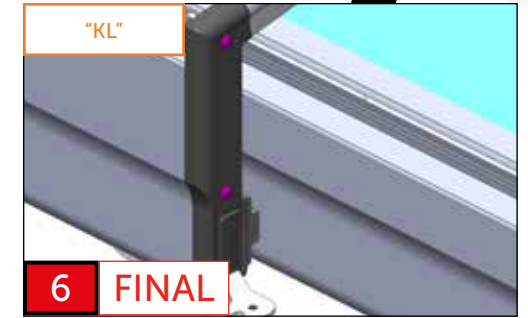
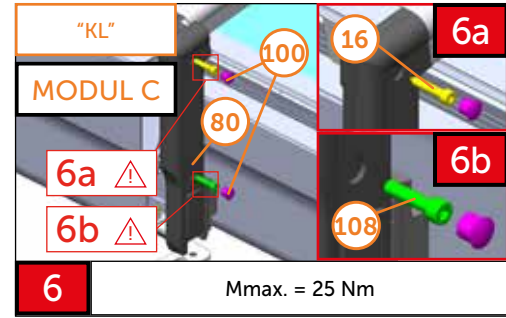
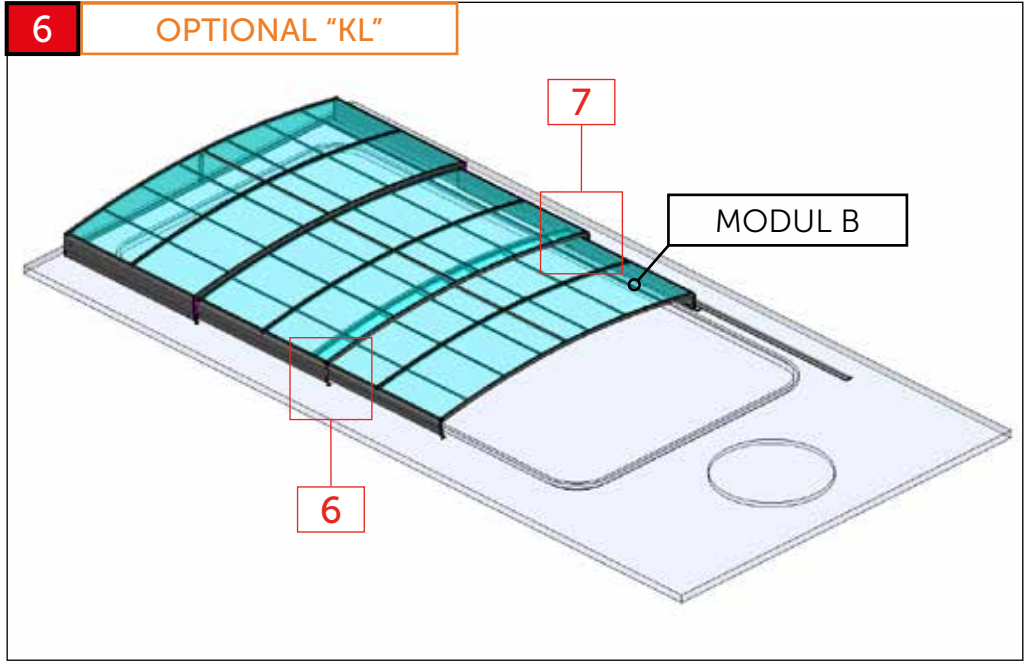




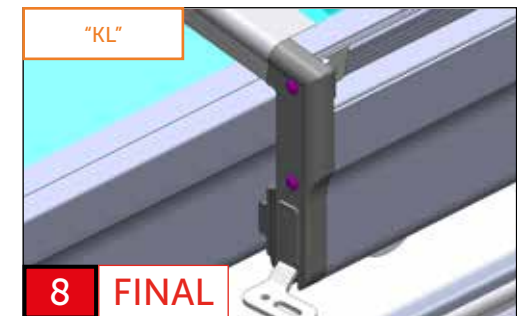
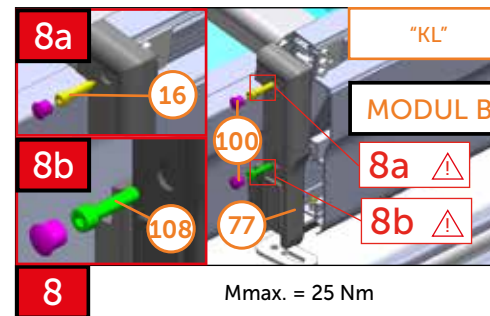
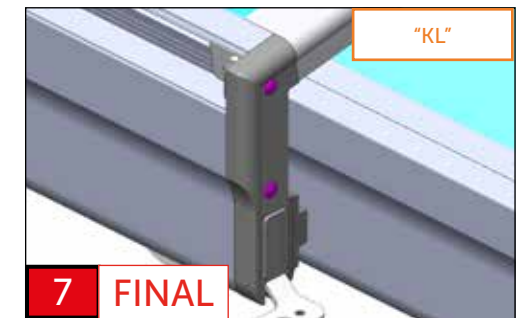
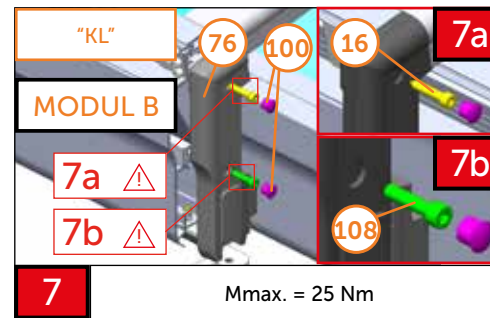
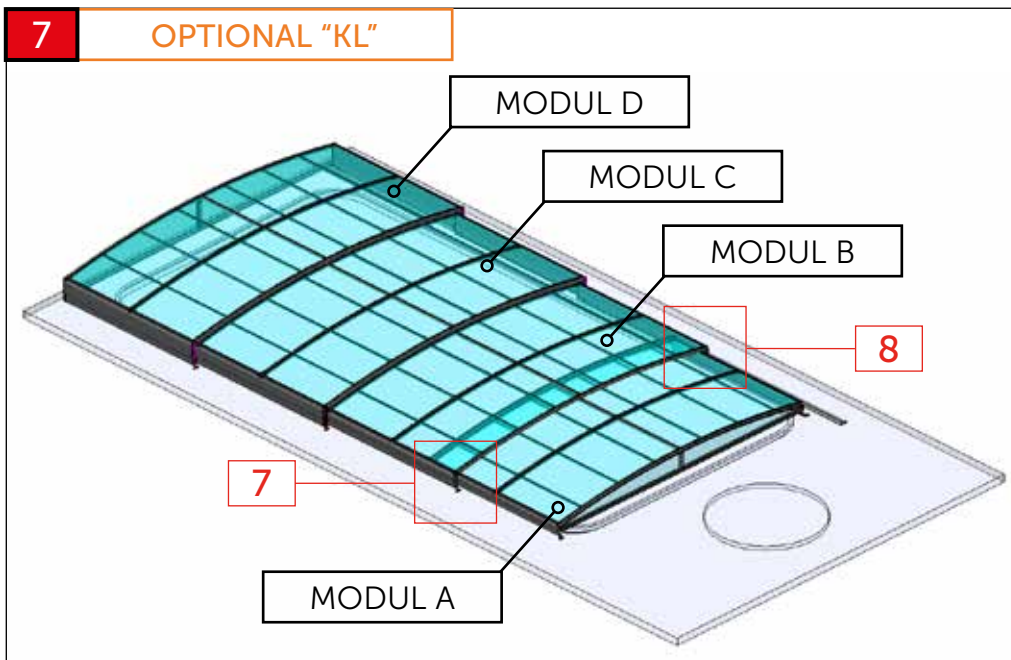
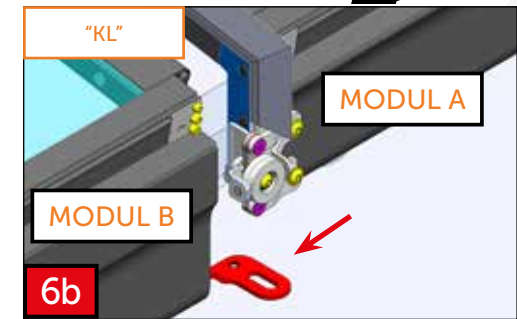
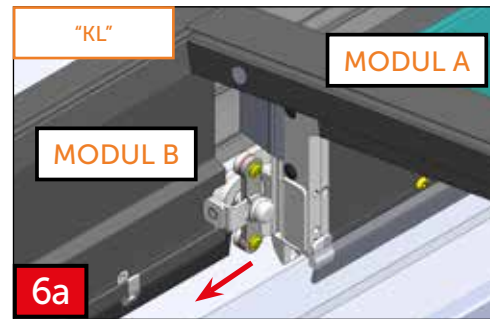
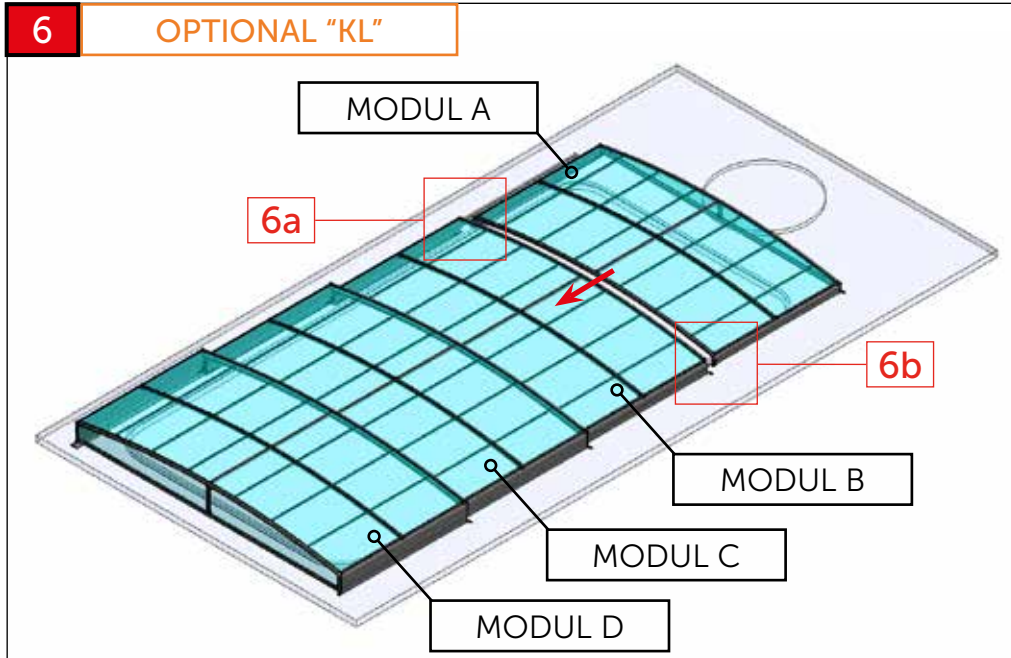


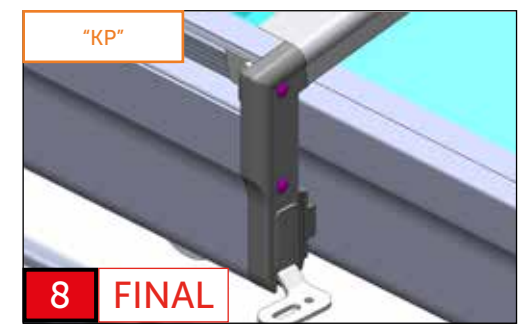
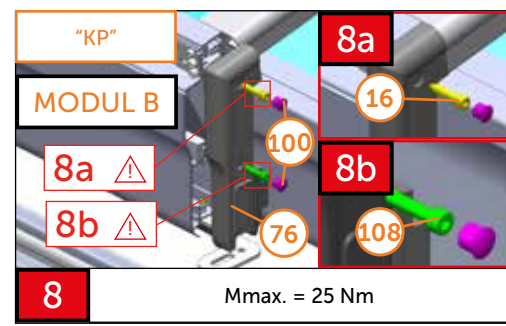
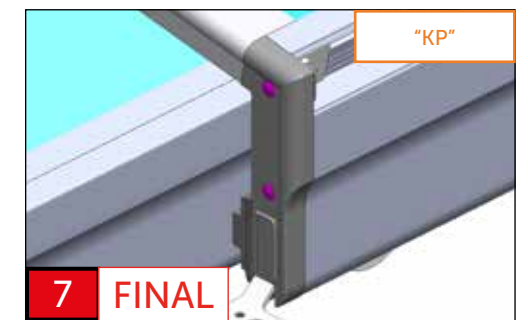
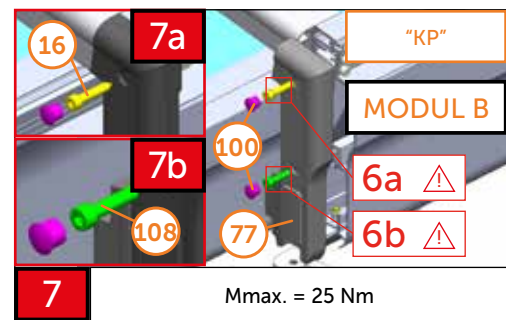
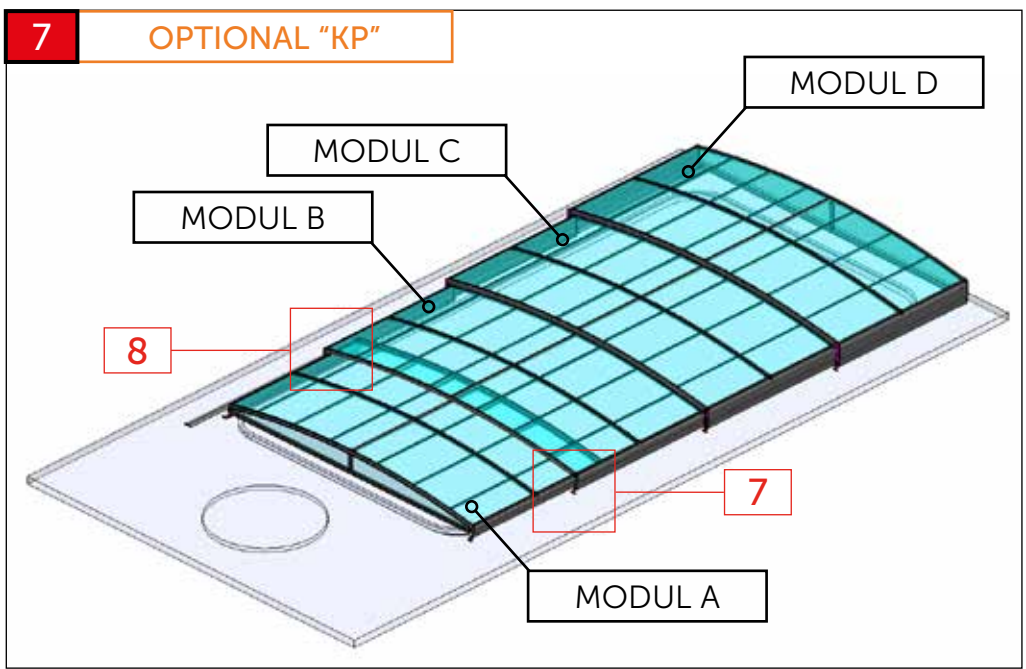
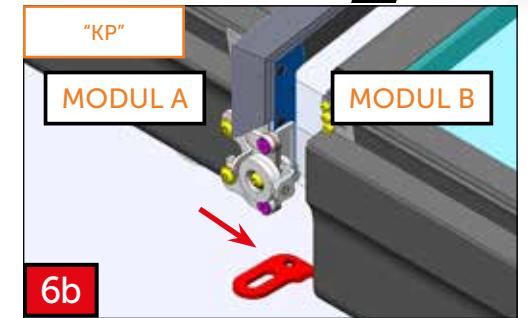
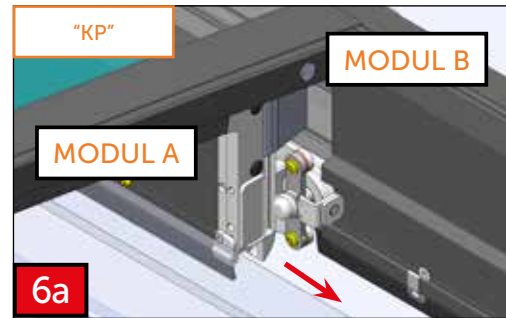
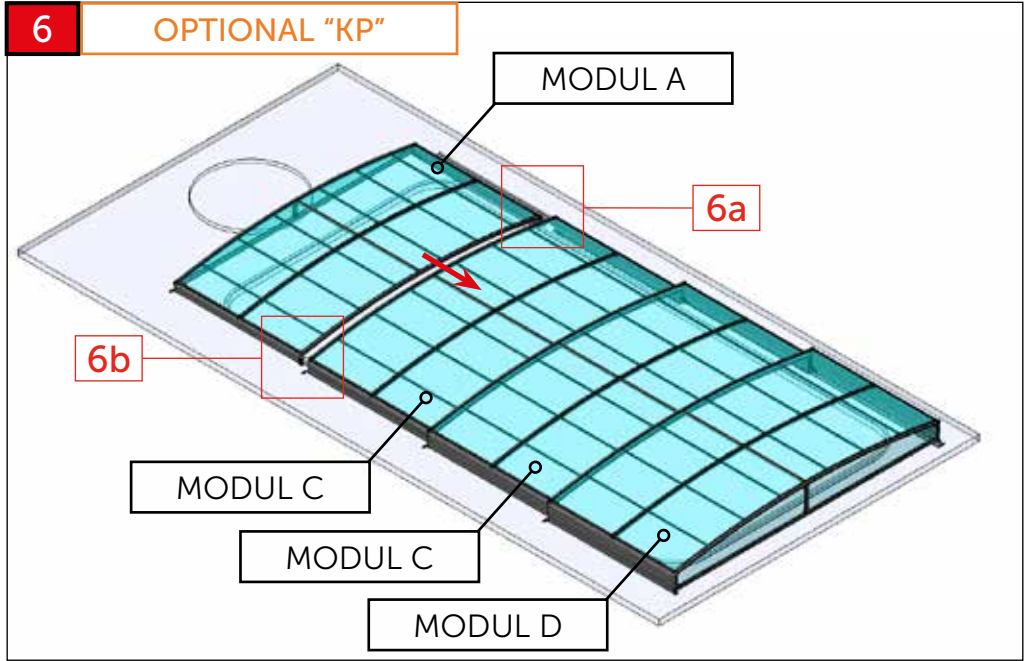




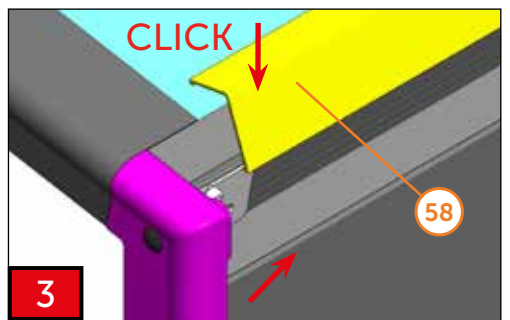
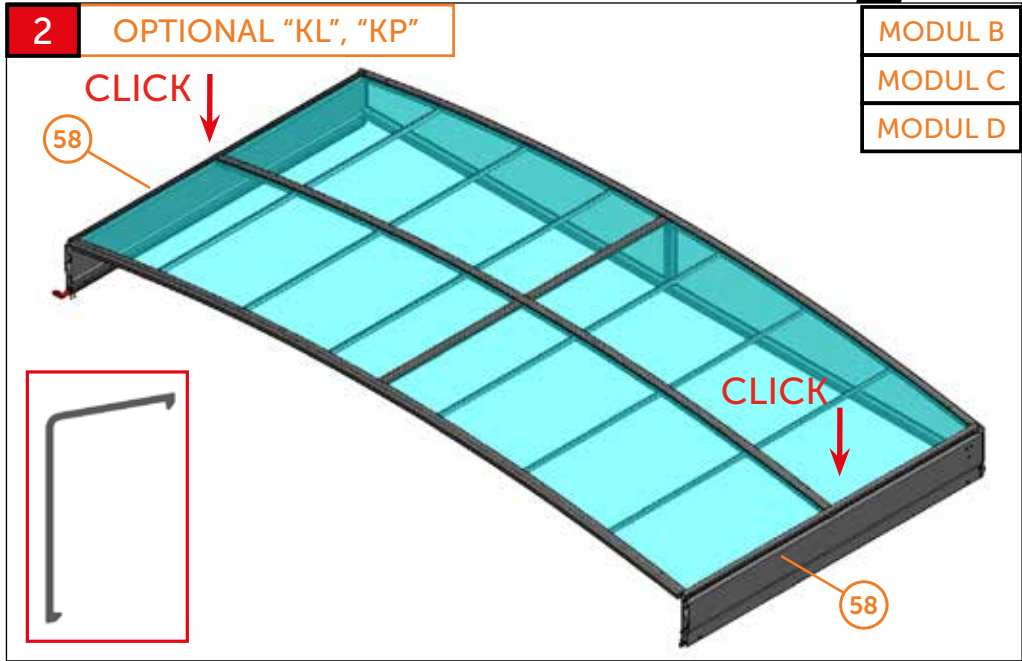
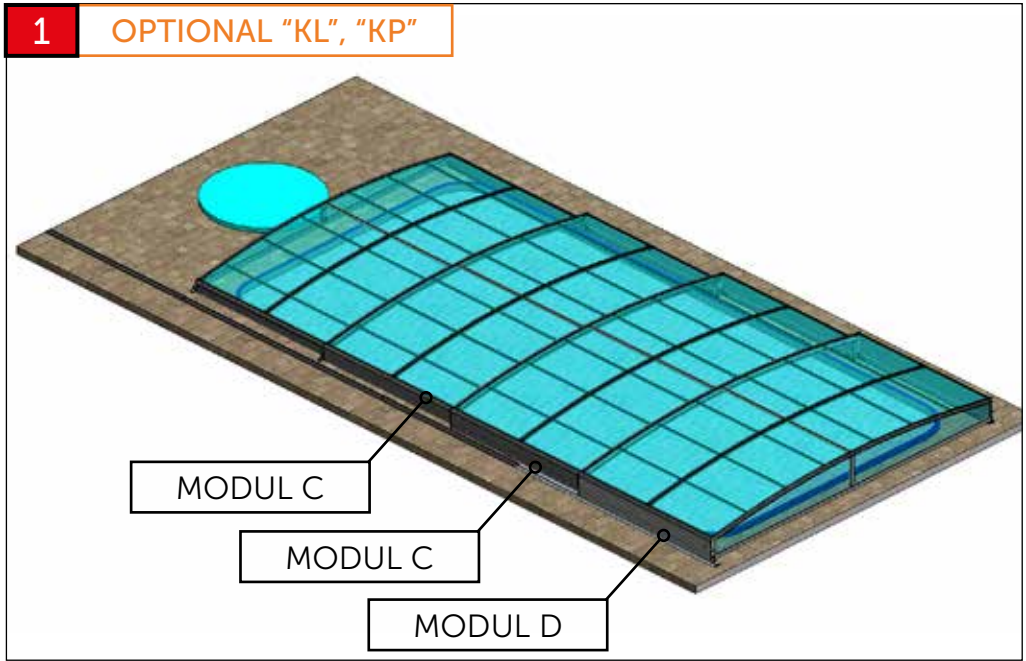


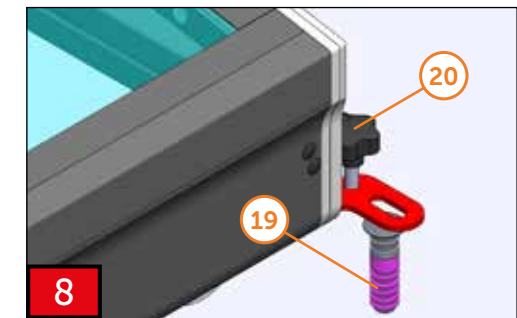
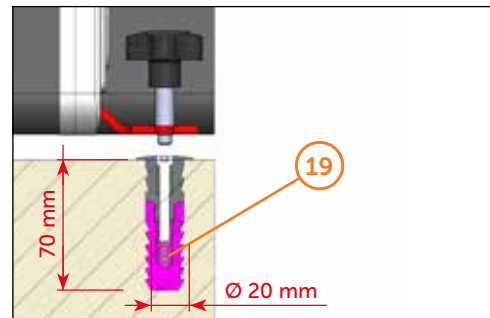
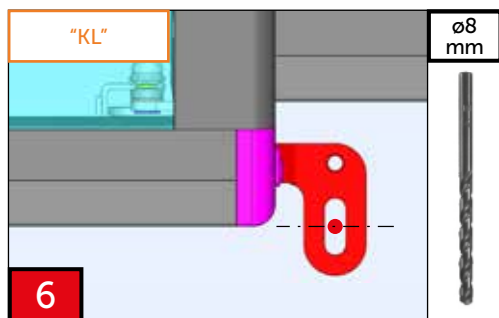
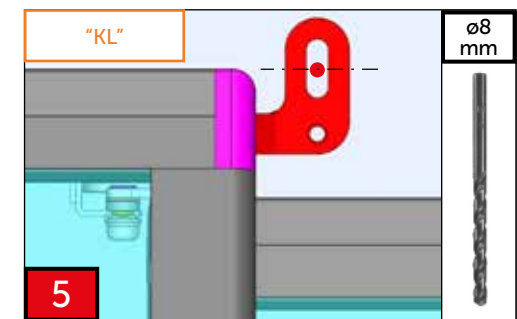
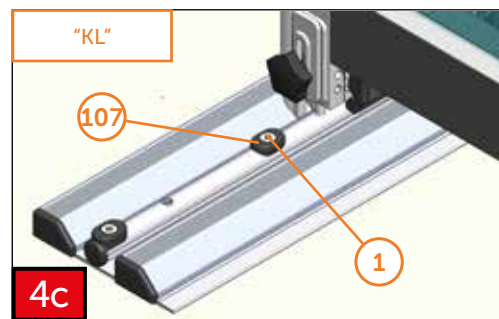
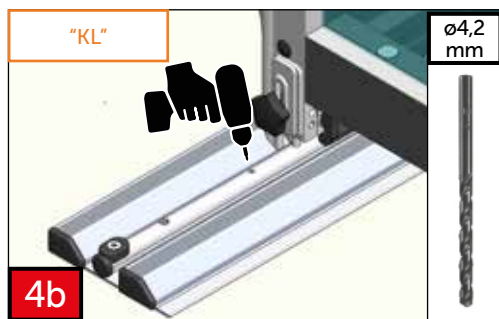
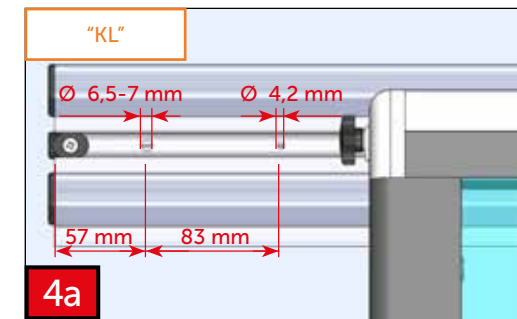
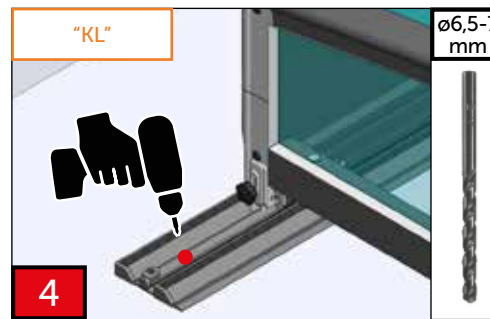
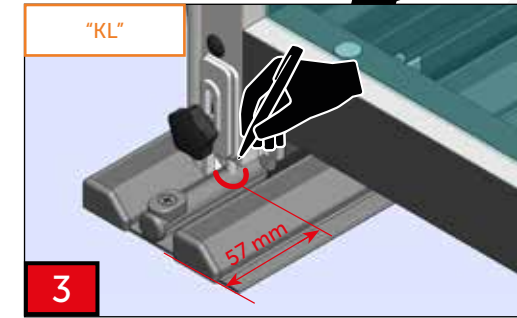
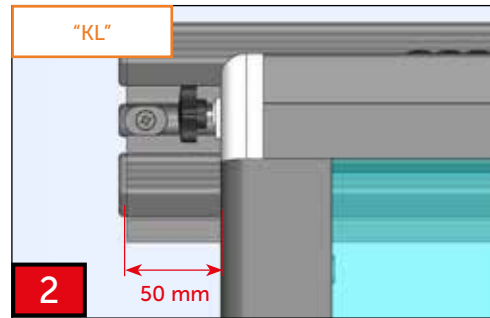
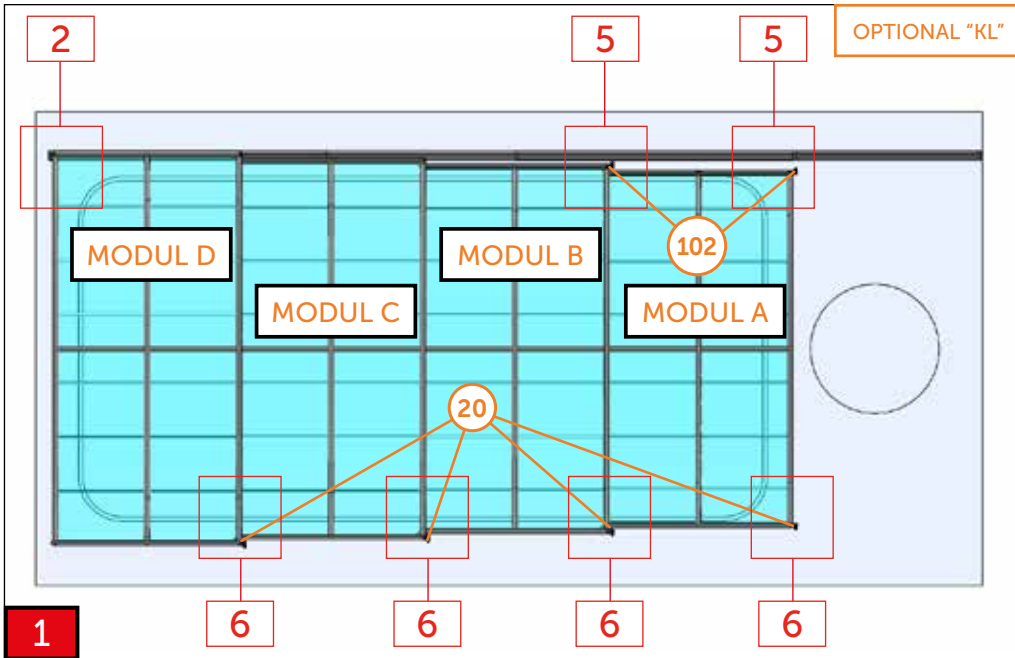








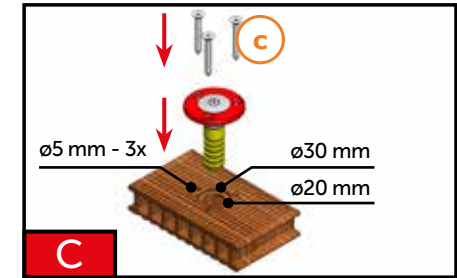
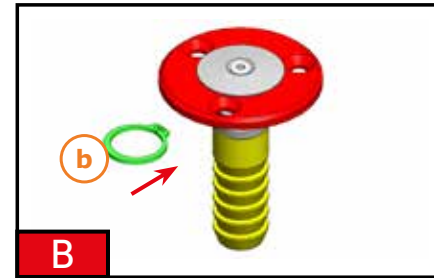
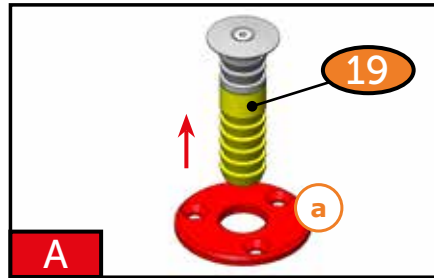








Pouze pro dřevěné a dřevoplastové podlahy  
 Only for wooden and wood-plastic floors  
 Nur für Holz- und Holz-Kunststoffböden  
 Uniquement pour les planchers en bois et en bois-plastique  
 Только для деревянных и древесно-пластиковых полов



**1** OPTIONAL "KL"

MODUL D      MODUL B  
MODUL C      MODUL A

Odjistit modul B,C,D  
Unlock the module B,C,D  
Modul B,C,D entsperren  
Déverrouiller le module B,C,D  
Разблокировать модуль B,C,D

**2** OPTIONAL "KL"

Zajištěný modul A  
Locked module A  
Modul A gesperrt  
Module A verrouillé  
Заблокированный модуль A

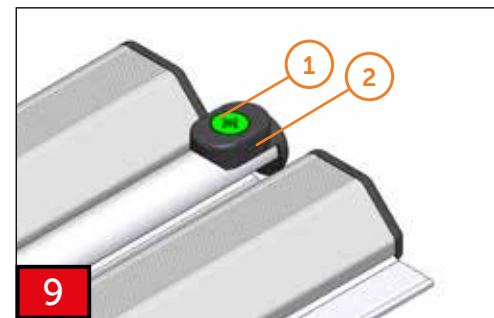
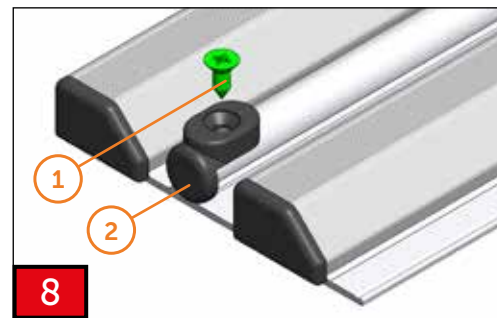
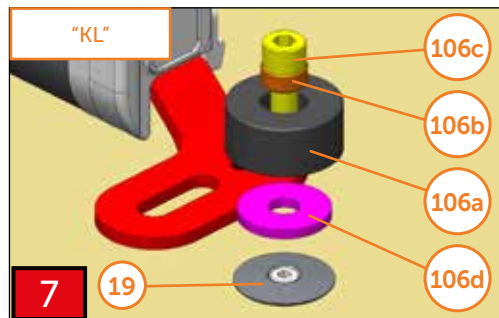
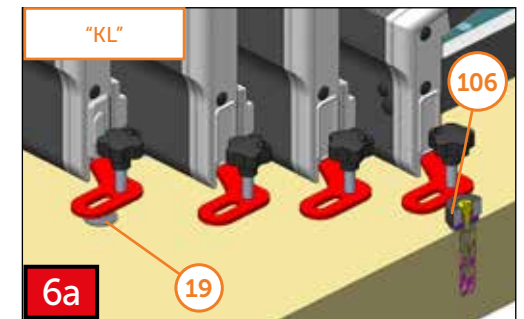
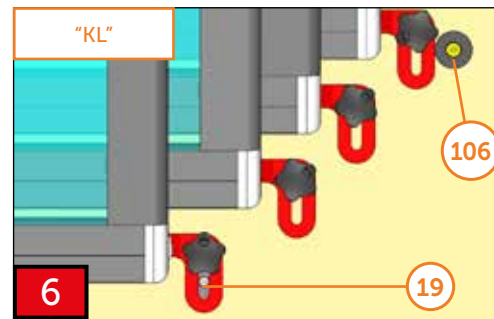
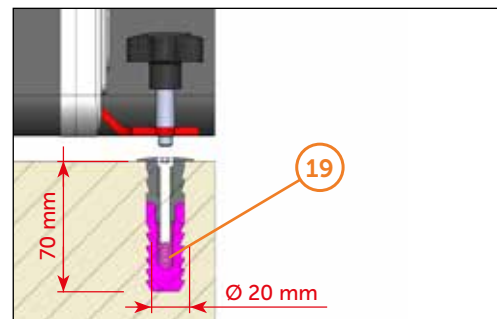
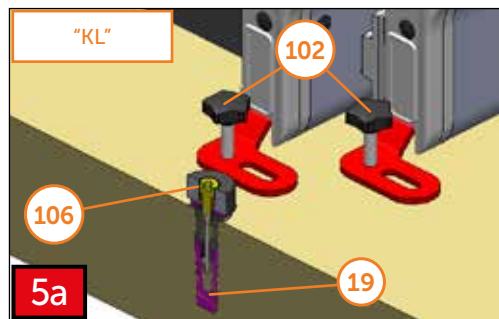
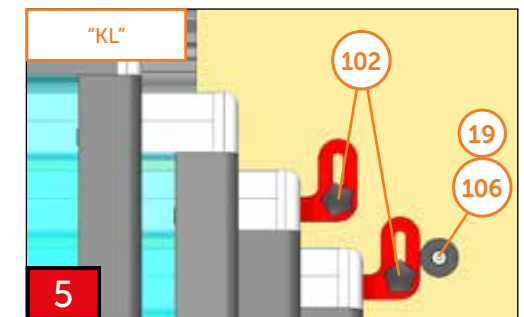
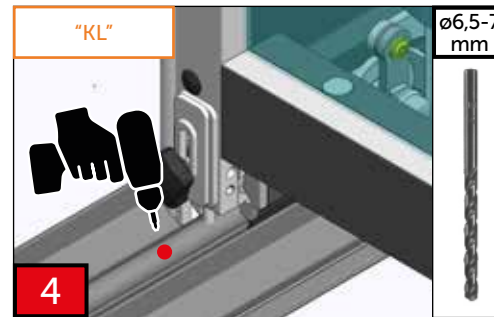
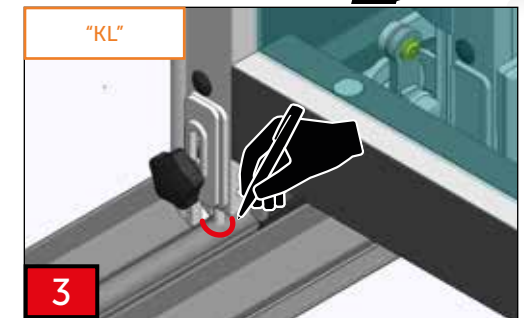
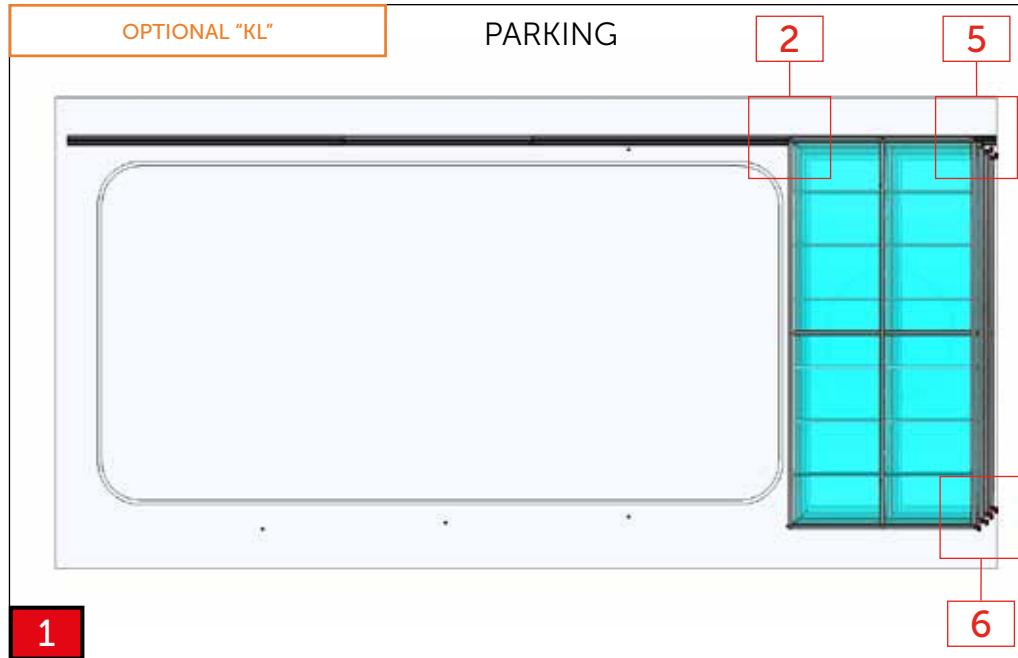
**3** OPTIONAL "KL"

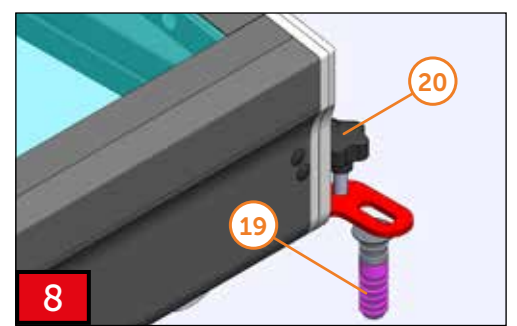
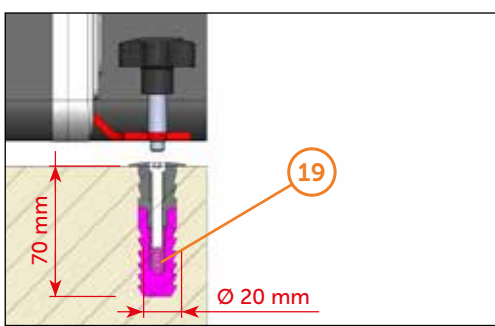
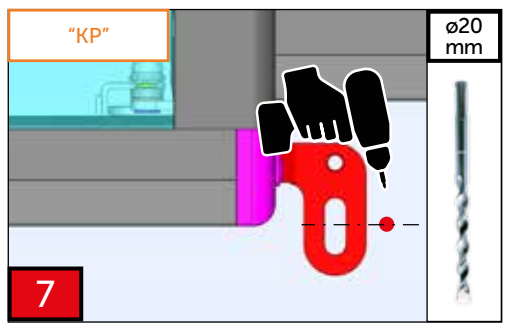
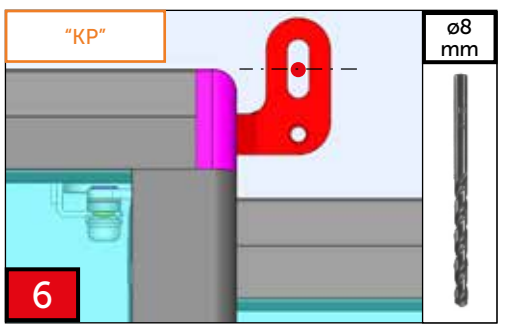
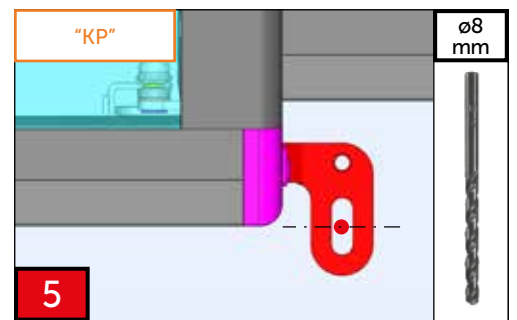
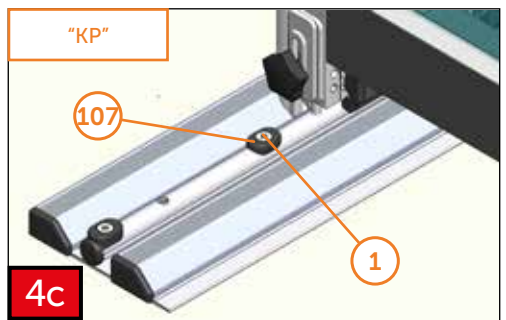
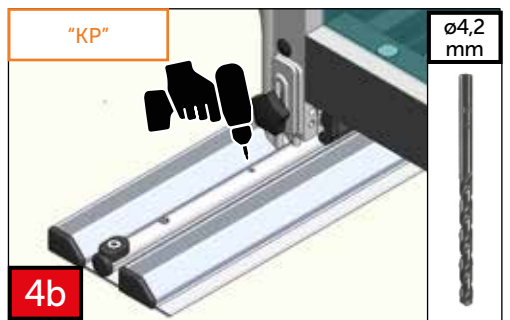
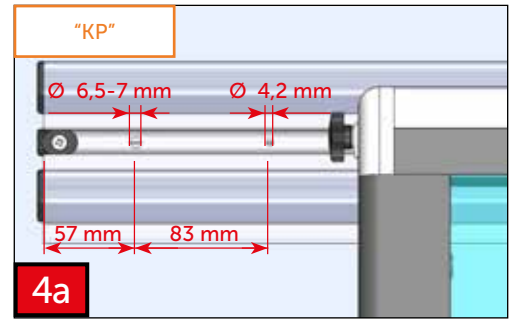
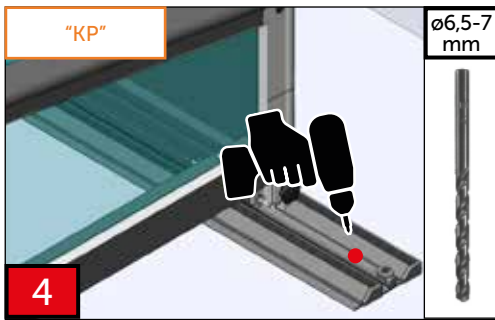
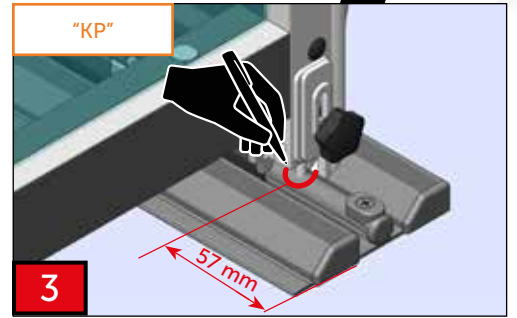
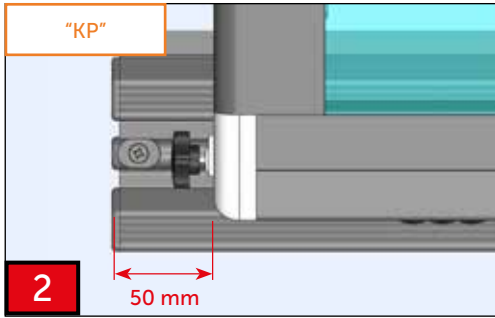
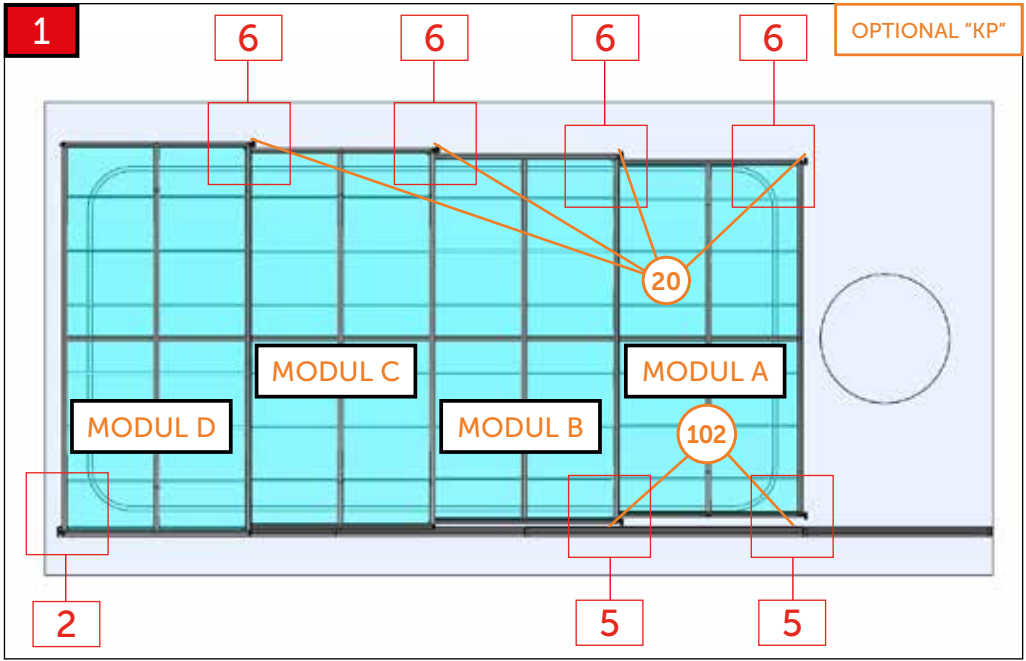
Odjistit modul A  
Unlock the module A  
Modul A entsperren  
Déverrouiller le module A  
Разблокировать модуль A

**4** OPTIONAL "KL"

### PARKING

Zajistit modul B,C,D  
Lock the module B,C,D  
Modul A,B,C,D sperren  
Module de verrouillage B,C,D  
Блокировать модуль B,C,D

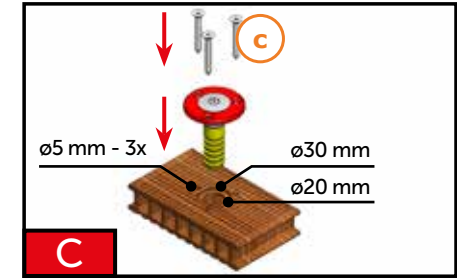
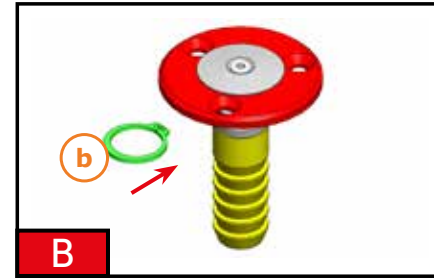
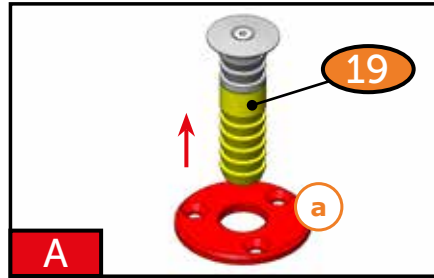








Pouze pro dřevěné a dřevoplastové podlahy  
 Only for wooden and wood-plastic floors  
 Nur für Holz- und Holz-Kunststoffböden  
 Uniquement pour les planchers en bois et en bois-plastique  
 Только для деревянных и древесно-пластиковых полов



**1** OPTIONAL "KP"

MODUL D      MODUL B  
MODUL C      MODUL A

Odjistit modul B,C,D  
Unlock the module B,C,D  
Modul B,C,D entsperren  
Déverrouiller le module B,C,D  
Разблокировать модуль B,C,D

**2** OPTIONAL "KP"

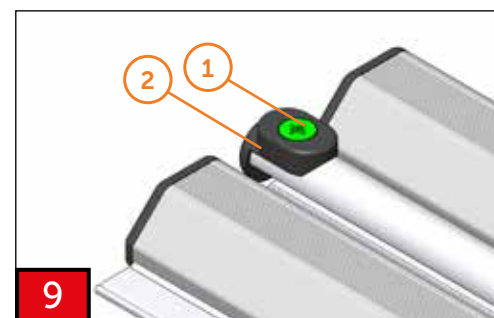
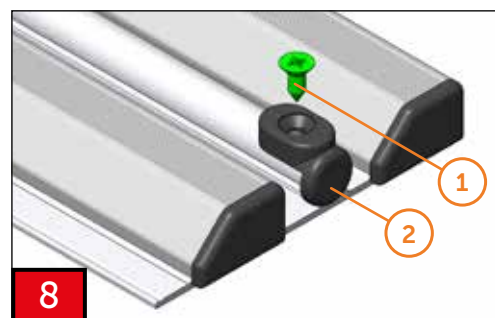
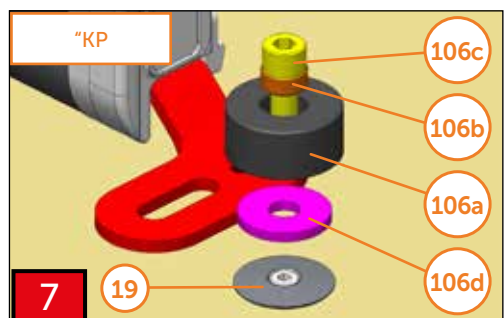
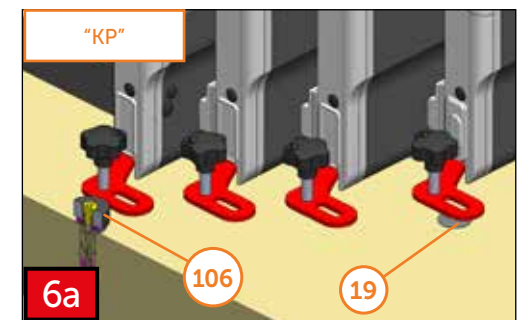
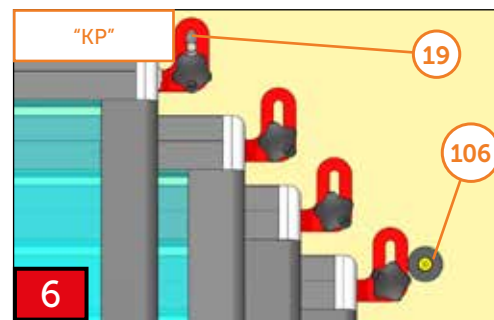
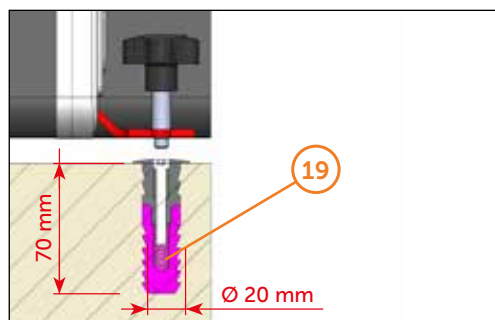
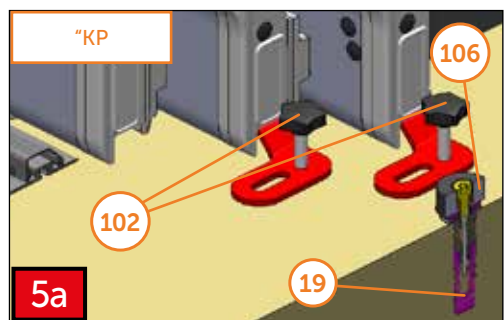
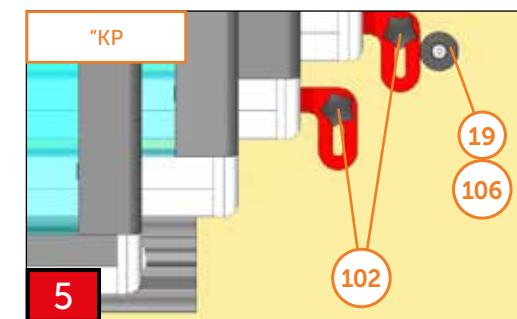
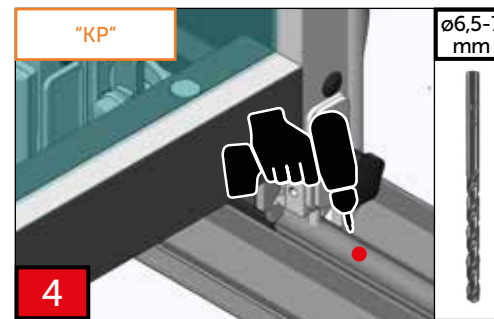
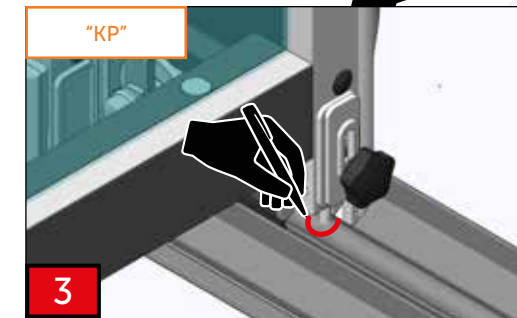
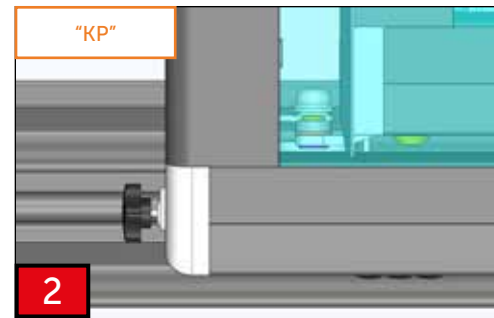
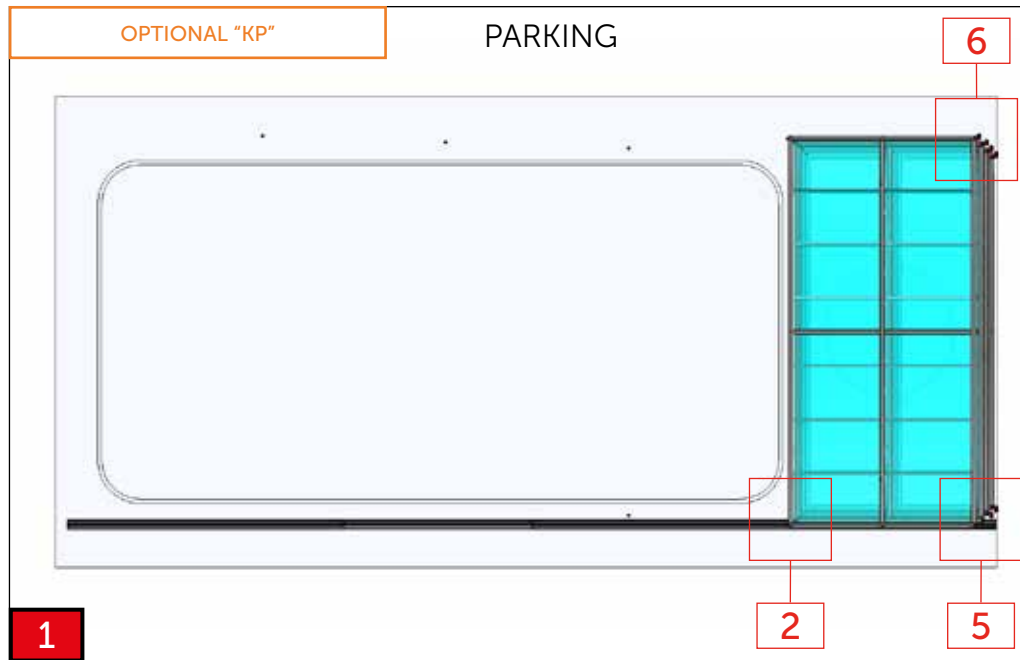
Zajištěný modul A  
Locked module A  
Modul A gesperrt  
Module A verrouillé  
Заблокированный модуль A

**3** OPTIONAL "KP"

Odjistit modul A  
Unlock the module A  
Modul A entsperren  
Déverrouiller le module A  
Разблокировать модуль A

**4** **PARKING** OPTIONAL "KP"

Zajistit modul B,C,D  
Lock the module B,C,D  
Modul A,B,C,D sperren  
Module de verrouillage B,C,D  
Блокировать модуль B,C,D





## CZ

Dodavatel si vyhrazuje právo na změny a úpravy technických parametrů uváděných v tomto katalogu s ohledem na technický vývoj a zdokonalení výrobků a balení.  
Dodavatel si vyhrazuje právo na tiskové chyby a chyby v sazbě. Před montáží si pozorně přečtěte návod. Návod si uchovejte pro pozdější použití.

## DE

Der Lieferant behält sich das Recht auf Änderungen und Anpassungen der technischen Parameter, die in diesem Katalog aufgeführt sind, mit Rücksicht auf die technische Entwicklung und Verbesserung der Produkte und Verpackung vor. Der Lieferant behält sich das Recht auf Druckfehler und Fehler im Satz vor.  
Vor der Montage lesen Sie bitte die Anleitung sorgfältig durch. Bewahren Sie die Anleitung für spätere Verwendung auf.

## EN

The supplier reserves the right for modifications and adaptations of the technical parameters stated in this catalogue, considering the technical development and upgrade of the products and packaging.  
The supplier reserves the right for print errors and typographical errors. Please read the manual carefully before you will start the installation. Keep the manual for later use.

## ES

El proveedor se reserva el derecho de hacer cambios y modificaciones técnicas de los parámetros que figuran en este catálogo, con respecto al desarrollo técnico mejorando los productos y embalajes.  
El proveedor se reserva también el derecho a errores de impresión y composición. Antes de empezar la instalación, lea atentamente las instrucciones. Guarde las instrucciones para su uso posterior.

## FR

Le fabricant se réserve le droit de modifier les paramètres techniques cités dans ce manuel en considération du développement technique et de l'amélioration des produits et de leur emballage. Le fabricant se réserve le droit des fautes d'impression et de composition. À lire attentivement et à conserver pour une consultation ultérieure.

## HU

Gyártó fenntartja jogát a katalógusban feltüntetett műszaki paraméterek változtatására a termékek és csomagolás technikai fejlesztése és tökéletesítése szerint.  
Szállító: a szállító fenntartja jogát a nyomtatási és szedési hibákra.

## IT

Il fornitore si riserva il diritto di effettuare modifiche e correzioni ai parametri tecnici riportati nel presente catalogo per migliorare e perfezionare dal punto di vista tecnico i prodotti e gli imballaggi.  
Il fornitore non esclude inoltre l'eventuale presenza di errori di stampa e di impaginazione. Prima dell'installazione, leggere attentamente le istruzioni. Tenere l'istruzione per un uso successivo.

## PL

Dostawca zastrzega sobie prawo do zmian oraz dostosowania parametrów technicznych podanych w niniejszym katalogu z uwzględnieniem rozwoju technicznego i udoskonalania produktów oraz opakowań. Dostawca zastrzega sobie prawo do błędów druku oraz typograficznych.

## PT

O provedor reserva-se o direito a efectuar alterações e adaptações de parâmetros técnicos mencionados neste catálogo, tendo em consideração o avanço técnico e melhorias de produtos e embalagens. O provedor reserva-se o direito a cometer erros de impressora e de edição.

## RO

Furnizorul își rezervă dreptul de a modifica și schimba parametrii tehnici menționați în acest catalog cu privire la evoluția tehnică și perfecționarea produselor și a ambalării. Furnizorul își rezervă dreptul la greșelile de tipar și greșelile privind tarifele.

## RU

Поставщик оставляет за собой право на изменение и исправление технических параметров продукции указанной в этом каталоге, с учетом технического развития, а усовершенствования изделий и его упаковки. Поставщик оставляет за собой право на опечатку в тексте и в ценах.  
Перед установкой и эксплуатацией изделия внимательно ознакомьтесь с настоящим руководством. Сохраните данное руководство для дальнейшего использования.