



BSVillage
PISCINE - WELLNESS - OUTDOOR

MANUALE di MONTAGGIO

Nuoto Contro Corrente AZURO JET 50



www.bsvillage.com

The unit is designed and intended for operation in private swimming pools and garden pools. It is not intended and should not be used for public swimming pools and other commercial applications. The directions included in this Instruction for Installation, Mounting and Operation (hereinafter referred to as "Operating Instruction") shall be strictly observed, as special demands are made upon electrical equipment used in swimming pools and adjacent areas.
The unit should be installed in swimming pools of adequate size. For the optimum location of your counter-current unit a swimming pool specialist should be consulted.

2.0

DESCRIPTION

The AQUA-JET 50 hang counter-current unit may be operated in in-ground pools of any type (such as, e.g., plastic foil, polypropylene or glass-fibre swimming pools). Water is sucked into the turbo-pump space through intake holes made in the rear part of the unit. The turbine pump drives the water through a chamber and a mixing nozzle back to the pool. The turbine pump should be turned ON or OFF using an air-operated pressure knob found on the machine front side. The water driven back to the pool may be aerated in the nozzle by sucking additional air in. Aeration may be turned ON, OFF, or controlled using a rotational controller. The immersed coloured light of the counter-current unit may be switched ON/OFF by a light switch.

3.0

WARNING SYMBOLS



Safety instructions given in this Operating Instruction and marked with this general warning symbol of danger shall be strictly observed, as any failure to observe of it may result in danger to the health and/or safety of people or damage to the environment.



Safety instructions, given in this document and marked with this general warning symbol of electrical hazard shall be strictly observed, as any non-observance of it may result in danger of electrical current accident.

4.0

SAFETY INSTRUCTIONS

All and any safety instructions given in this document shall be strictly observed without any exception!

This Operating Instruction comprises basic guidelines that shall be taken into account in installing, operating and maintaining the counter-current unit. That is why the user, as well as experts that might be invited to take part in professional installation of the unit, shall read this document very carefully.

Any failure to observe the safety instructions may threaten not only the health of involved persons, but can present an environmental hazard and the risk of equipment damage.

The unit shall not be operated, if any of its protective covers is not in place.

The counter-current unit is intended only for swimming and massages. If used for any other purpose or modified (no matter how) without manufacturer's previous consent, any warranty provided with the unit by its manufacturer and/or seller shall become void, as well as manufacturer's and/or seller's liability for product safety.

Persons performing professional installation of the unit shall possess relevant professional qualification in accordance with applicable electrical regulations (they shall be certified according to Decree 50/1978 Coll., Article 6).

Persons, who are to operate, maintain and inspect the unit, shall be informed within the scope of duties and responsibilities set out in this Operating Instruction. The equipment owner shall be responsible for equipment operation and maintenance as well as for full compliance with relevant safety instructions.

This equipment shall not be used by underage persons and persons with reduced physical, sensual or mental capabilities, if not instructed and are not acting under supervision of other responsible person.

Persons not familiar with operation of the unit within the scope hereof and persons, whose abilities are reduced by drugs, narcotics, etc., and people of slow response shall not use the equipment!

Water level in the pool shall not be higher than 300 mm above the axis of the counter-current nozzle (see Fig. 1).

The temperature of pool water shall not exceed 35 °C.

5.0

SAFETY GUIDELINES FOR INSTALLATION AND MAINTENANCE

The equipment may be subject to any handling, maintaining or assembling/disassembling works only after has been disconnected from power mains!

Without any exception, the procedures prescribed for putting the equipment out of operation and given in this Operating Instruction shall be strictly adhered to.

Immediately after works have been completed on the equipment, all its protective and safety covers shall be installed back onto the counter-current unit body and secured against loosening.

In case the unit is to be started again, all the guidelines set out in the paragraph dealing with equipment re-starting shall be taken into consideration.

Any modification of or change in equipment design may be made only after being agreed upon with the manufacturer. Only genuine replacement parts authorised by the manufacturer may be used for any maintenance and repair works. Any use of unauthorized spare parts shall result in the loss of any warranty and refusal of claims for compensation.

Machine operational safety will be guaranteed only if all the terms and conditions set out in this Operating Instruction have been complied with.

Do not operate the machine, if it is incomplete or damaged. If it is the case, the unit has to be disconnected from mains and professionally repaired.

Do not step or sit on the machine or any of its parts.

The pool light shall not be turned on, if not completely immersed in water. Failing this, the light may either lose partially its illumination power or be even completely destroyed.

6.0

TRANSPORT AND STORAGE

In order to prevent damage to the unit and loss of its particular parts, the unit should not be unpacked and removed from its original package (as delivered) earlier, than immediately before its installation.

The consignment includes:

- AQUA Jet 50 swimming pool counter-current unit
- Mounting plate for in-ground pools.

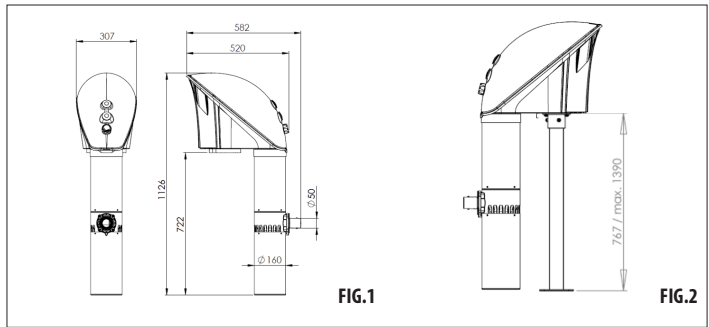
Basic Optional Accessories

Telescopic adjustable leg of the counter-flow system

Technical Specification:

Voltage: 230 VAC (single-phase) / 50 Hz
 Pump capacity: ~ 50 m³ per hour
 Power input: 1.1 kW
 Jet tilt angle: 50°
 Control system: air operated
 Overall weight: 20 kg, approx.
 IEC protection class: IP x5

Counter-flow unit dimensions
 (adjustable leg inclusive) (Fig. 2)



8.0

INSTALLATION

In order to provide for the correct operation of the counter-current machine its nozzle shall be immersed, but not more than 300 mm below the pool water level (see Fig. 1). The optimum position of the nozzle should be within the range of 200 – 300 mm below the pool water level. As it is not necessary to let air out from the pump body, the counter-current unit can be installed even in an empty pool, before filling the latter with water.

Counter-Current Unit Installation for above ground pools

The mounting plate, included in the delivery and attached to the lower cover of the counter-current machine, should be used for installing the unit in the pool.

Installation of the unit requires a concrete foundation plate to be built at the pool (of B30 grade concrete), whose upper surface should be 20 mm above the upper pool edge. In that configuration, the counter-current unit will fit onto the upper edge strip of the pool.

The upper counter-current unit cover should be removed before installation.

The counter-current machine should be installed so that its cylindrical part is located as close as possible to the pool wall or the pool edge strip.

The counter-current unit shall be attached to the pool body by means of M8-160 anchor bolts (Fig. 3) using a "chemical anchor" (consisting in two-pot resin-based mortar intended for attaching mechanical parts to mineral substrates). The bolts shall be run in concrete down to the depth of 138 mm. For safe connection wide washers (ID 8.2 mm) and self-locking nuts should be used. The abovementioned bolts, washers, nuts and other required materials are not included in the delivery.

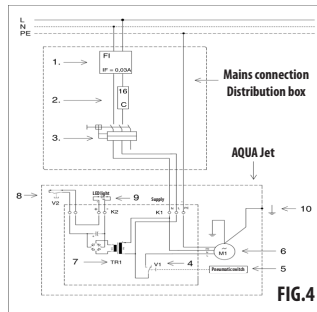
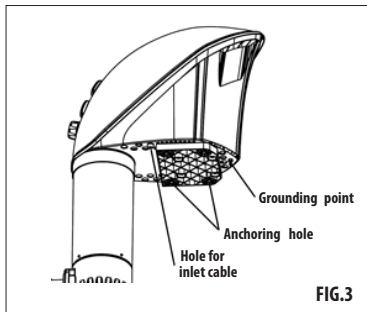
Counter-Current Unit Installation in a Full In-Ground Pool

The telescopic adjustable leg shall be used for installation. That telescopic leg is not included in the delivery. The counter-flow unit should be installed on a foundation plate made of concrete (B30) whose surface should be found from 767cm to 1390cm below the level of the swimming pool upper edge. The telescopic leg should be then adjusted in length to lay the counter-flow unit on the pool upper edge.

The upper cover of the counter-flow unit should be removed before commencing the installation.

Next it is necessary to remove the mounting plate from the lower cover of the counter-current. The stand is then mounted with the same screws.

The unit should be installed so that its cylinder tube is placed as close to the pool wall or edge rim as possible. The unit should be anchored to the foundation plate by means of M8-160 (Fig. 3) bolts using a chemical anchor system. The bolts should be set in the concrete foundation plate to the depth of 138mm. The counter-flow unit should be fixed to the plate using ø8.2mm washers (wide type) and M8 locknuts. Neither the bolts, nor other anchoring material comprise a part of the delivery.

**AQUA Jet 50 Wiring Diagram (Fig. 4):**

1. Overcurrent circuit breaker, IF<=30 mA, 16A
2. Fuse 16 A, quick acting
3. Motor starter, two-pole, 6-10 A
4. Pressure switch V1
5. Pushbutton switch control
6. Pump motor M1
7. Protective transformer with a rectifier TR1
8. Switch – light V2
9. LED light D1
10. Ground terminal

NOTE: Items 1, 2 and 3 are not included in the delivery.

Counter-Current Unit Wiring

The counter-current unit may be connected to the mains only after its body has been properly (mechanically) anchored to the pool. Connection to (or disconnection from) the power supply network may be carried out only by a duly qualified electrician (to Decree 50/1978 Coll., Art. 6) in compliance with applicable electrical regulations and standards, CSN 33-2000-7-702 in particular.



The counter-current unit shall be connected to the distribution network by means of the motor starter, fuse and residual current circuit breaker (as indicated in the wiring diagram in Fig. 4). Failure to install any of those safety devices may result in (even fatal) electrical accident and represents a cause of general hazard. The concerned equipment shall be located outside of the pool protective zone (i.e. zones 0, 1 and 2 to CSN 33 2000-7-702), including the areas found within the distance of 3.5 m from the pool wall, see Fig. 5.

The motor starter, fuse and residual current circuit breaker shall be placed in a lockable distribution box, well secured against any intervention of unauthorised persons.



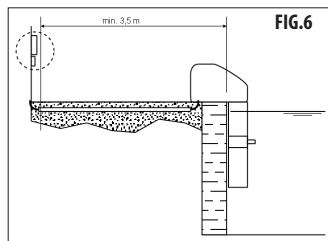
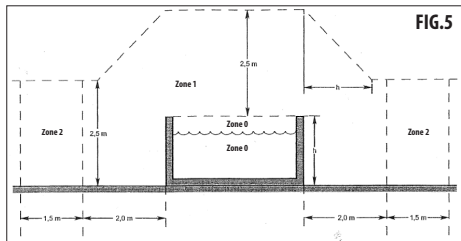
The supply cable of the minimum wire cross section of 1.5 mm² shall be pulled through the grommet in the lower cover of the unit (see Fig. 3) In the box it shall be secured against pulling it out by routing it over the distribution box cable grommet. The supply cable shall be routed to the counter-current unit in a buried cable protecting tube, see Fig. 6.



The counter-current unit shall be earthed using a separate earth wire of the minimum cross-section of 2.5 mm². Its lug should be connected to the earth terminal found in the lower part of the unit cover, as shown in Fig. 3. The earth wire shall be routed to the unit in the buried cable protector, together with the supply cable. On its other end the earth wire should be connected to the earth terminal in the distribution box.



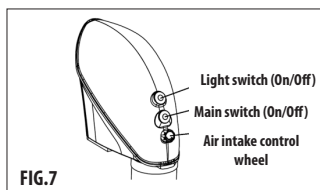
Before connecting the unit to the supply network all protective covers and guards of the unit shall be put back to their positions and secured.



After the counter-current unit has been mechanically fixed and connected to the mains and its safety covers have been replaced, it is ready for putting into operation. The equipment should be switched ON and OFF using the main (power) switch (see Fig. 7).

After a longer operation time (several hours) at extraordinary high outdoor temperatures the counter-current machine may spontaneously go off. It is caused by a thermal fuse protecting its motor from overheating. After the motor has got cold, it will be possible to restart the machine again.

In case the counter-current unit will not be operated for a longer period, it is recommended the unit to be disconnected from mains using the motor starter.



CAUTION: During equipment operation the ventilation holes made in its cover shall not be covered.



Warning: Certain parts of the machine are made of steel. In spite that stainless steel is used predominantly, in connection with application of certain chemical agents (chlorine containing ones, in particular) the following precautionary measures are recommended and should be taken into consideration.

Chemical agents, if used, should be applied in correct amounts (doses). In particular, the agents should not be added in higher amounts than recommended. In case that chlorine containing agents are used, the levels of chlorine in pool water should be regularly measured and adjusted, if necessary. **M&C of pool water acidity (pH value) represent other important factor for maintaining pool water quality.** Incorrect or negligent care of pool water and application of excessive dosage of chemicals may result in the corrosion of metal parts of the counter-current machine, the stainless steel ones inclusive. The most frequent causes of damage to machine metal parts are given herein below:

- 1) Metal parts of the machine are resistant to chlorine in water up to a certain Cl₂ concentration. However, higher, excessive chlorine levels may attack even stainless steel products and cause their corrosion.
- 2) Acidity (pH value) of pool water: (pH values within the range between 7.0 – 7.4 are deemed correct). Any change in pH value of water, particularly toward lower values, will result in its increased corrosiveness and possible corrosion of stainless materials.
- 3) Contents of dissolved salts – 0.5 % maximum.

When pool chemicals are added to and dissolved in pool water, the chemicals must not get in the counter-current unit. It is, therefore, recommended THE UNIT IS NOT TO BE USED for the time of such operations. Further, before performing so-called "shock treatment" of pool water, it is recommended to remove the unit from the pool and wait until the chlorine level drops down to its correct value.

The operator shall provide that all maintenance, supervision and installation are carried out by persons, duly acquainted with this Operating Instruction.

Take due care of pool water purity to prevent the pump inlet strainer or even the pump body from fouling.

Check regularly the ventilation holes made in the counter-current cover for possible obstruction and remove any possible items or dirt that could restrict the free passage of air.

In case the equipment is not used or is left dry (e.g., in winter season), the motor starter has to be disconnected from its supply circuit, to prevent the motor from being accidentally switched on.

Check the equipment regularly for completeness and integrity of all covers and other components of the counter-current unit.

For winter season it is recommended the unit to be uninstalled, removed and stored in a dry area. However, it is also possible to let the unit installed outdoors, provided that no of its parts remains immersed in water. When the swimming pool is filled with water again, or the unit is installed back to its place, the water inlet holes in the unit body shall be checked for free cross section.

The counter-current machine shall not be started without being immersed in water!

This product, the AQUA Jet50 Swimming Pool Counter-Current Unit, does comply with the requirements of the following EU Directives and corresponding Governmental Orders as last amended: 2006/95/EC ("Low Voltage Directive") and relevant Governmental Order No. 17/2003 Coll., establishing technical requirements for low-voltage electrical equipment; 2004/108/EC (EMC Legislation Directive) and relevant Governmental Order No. 616/2006 Coll. establishing technical requirements for products in terms of their electromagnetic compatibility and 2011/65/EU (RoHS Directive) and relevant Governmental Order No.481/2012 Coll. on the restriction of the use of certain hazardous substances in electrical and electronic equipment.

The product passed the tests carried out in the Engineering Institute of Testing (SZÚ) Brno (the SZÚ is the **EC Notified Body 1015**).

Country of origin: Czech Republic

Die Anlage ist für den Einsatz in privaten Schwimmbecken und Gartenbassins konzipiert und bestimmt. Es ist nicht für öffentliche Schwimmbäder und gewerblichen Gebrauch bestimmt. Es ist notwendig, die Anweisungen in der Installations-, Montage- und Betriebsanleitung zu folgen, da besondere Anforderungen an die elektrischen in und um Schwimmbecken benutzten Anlagen gestellt werden. Die Anlage muss in Pools von entsprechender Größe installiert werden, über die Platzierung der Gegenstromanlage beraten Sie sich mit einem Poolexperten.

2.0

BESCHREIBUNG

Die Anhänger-Gegenstromanlage AQUA JET 50 kann in allen Arten von versenkten Pools (z.B. aus Folie, Polypropylen, Laminatwerkstoffen usw.) betrieben werden. Im hinteren Teil der Anlage wird das Wasser über den Lufteinlass in den Raum der Turbine angesaugt. Von der Turbine wird das Wasser weiter durch eine Kammer und eine Mischdüse in den Pool zurückgeschoben. Die Pumpe wird mit einem pneumatischen an der Vorderseite der Anlage installierten Taster ein- und ausgeschaltet. Durch Umdrehen des Luftreglers kann die Luftansaugung in der Düse ein- und ausgeschaltet werden. Durch den Lichtschalter wird die variable Farbumwerterleuchtung des Gegenstroms bedient.

3.0

BEZEICHNUNG DER WEISUNGEN IN DER BEDIENUNGSANLEITUNG



Die in dieser Bedienungsanleitung angeführten Sicherheitshinweise, die, falls nicht eingehalten, zu Verletzungen führen können, werden durch die allgemeinen Symbole für Gefahr bezeichnet werden.



Die in dieser Bedienungsanleitung angeführten Sicherheitshinweise, die, falls nicht eingehalten, zu Verletzungen durch Stromschlag führen können, sind mit allgemeinen Symbolen für die Warnung vor Stromschlag markiert.

4.0

SICHERHEITSHINWEISE

Alle Sicherheitshinweise in dieser Bedienungsanleitung müssen ohne Ausnahme beachtet werden!

Diese Bedienungsanleitung enthält grundlegende Hinweise, die bei der Installation, Betrieb und Wartung zu beachten sind. Daher müssen diese Bedienungsanleitung sowohl die Benutzer als auch die eingeladenen an der professionellen Installation beteiligten Experten durchlesen.

Die Nichtbeachtung der Sicherheitshinweise kann nicht nur zur Gefahr für die Gesundheit der Menschen, sondern auch zur Gefahr für die Umwelt und der Anlage selbst führen.

Die Anlage darf nicht ohne Abdeckungen betrieben werden.

Die Gegenstromanlage ist nur zum Schwimmen und Massagen bestimmt. Wenn sie für andere Zwecke verwendet wird, oder bei ihrem Umbau, der nicht vom Hersteller zugelassen wurde, erlöschen alle Gewährleistungsansprüche und Haftung der Hersteller oder Händler für die Produktsicherheit.

Personen, die die professionelle Installation der Anlage durchführen, müssen die berufliche Qualifikation gemäß den geltenden elektrotechnischen Vorschriften (mit Qualifikation gemäß der Verordnung Nr. 50/1978 Slg., § 6) erfüllen.

Die für den Betrieb, Wartung und Überwachung verantwortlichen Personen müssen im Rahmen dieser Bedienungsanleitung unterwiesen werden. Für die Bedienung und Wartung der Anlage und für Einhaltung der Sicherheitsvorschriften entspricht der Eigentümer der Anlage.

Die Anlage ist nicht für die Nutzung durch Minderjährige oder Personen mit eingeschränkten physischen, sensorischen oder geistigen Fähigkeiten bestimmt, wenn sie nicht durch eine verantwortliche Person beaufsichtigt werden und solange sie mit einer Unterweisung nicht vorgesehen wurden. Die Anlage darf nicht von den Menschen verwendet werden, die mit ihrem Betrieb im Rahmen dieser Bedienungsanleitung nicht vertraut wurden, und weiter von Personen, die unter einem Einfluss von Arzneien, Betäubungsmitteln sind und von Personen mit verringerter Fähigkeit zu schneller Reaktion.

Der Wasserspiegel im Pool darf 300 mm über der Achse der Gegenstromdüse nicht überschreiten (siehe Abb. 1).

Die Temperatur vom Poolwasser darf 35 °C nicht übersteigen.

5.0

DIE SICHERHEITSHINWEISE FÜR DIE INSTALLATION UND DIE WARTUNG

Behandlung mit der Anlage, die Wartungsarbeiten durchführen oder Montage ist nur dann möglich, wenn die Anlage vom Netz getrennt ist!

Das in dieser Bedienungsanleitung beschriebene Verfahren für Stillsetzen der Anlage muss unbedingt eingehalten werden.

Unmittelbar nach Abschluss der Arbeiten müssen alle Sicherheits- und Schutzabdeckungen zurück zum Körper der Anlage angebracht werden und gegen Trennung gesichert werden.

Vor der Wiederinbetriebnahme der Anlage ist es notwendig, alle im Absatz für die Inbetriebnahme angeführten Anweisungen zu folgen.

Ein Umbau oder Veränderungen der Anlage sind nur nach Rücksprache mit dem Hersteller zulässig. Zum Austausch können nur originale vom Hersteller zugelassene Ersatzteile verwendet werden. Verwendung von nicht zugelassenen Teilen führt zum Verlust jeglicher Schadensersatzansprüche.

Die Betriebssicherheit des Gerätes ist nur bei Einhaltung aller in der Bedienungsanleitung festgelegten Bedingungen gewährleistet.

Betreiben Sie eine unvollständige oder beschädigte Anlage nicht. Falls ein Teil fehlt oder beschädigt ist, trennen Sie das Gerät vom Stromnetz und lassen Sie es reparieren.

Weder auf das Gerät, noch auf seine Teile, ist nicht erlaubt, zu steigen oder zu sitzen.

Das Pool Licht darf nicht eingeschaltet werden, wenn es nicht vollständig im Wasser eingetaucht ist. Es kann zum Verlust seiner Intensität bzw. zu seiner völligen Zerstörung führen.

6.0

TRANSPORT UND LAGERUNG

Um Schäden und Verluste der einzelnen Komponenten zu vermeiden, kann die Originalverpackung erst unmittelbar vor der Montage aufgemacht werden.

Packungsinhalt:

- Die Pool Gegenstromanlage AQUA Jet 50
- Montageplatte für versenkte Pools

Wählbares Grundzubehör

Teleskopischer Stellfuß der Gegenstromanlage

Technische Daten:

Spannung: einphasig 230 V / 50 Hz
 Pumpendurchfluss: ~ 50m³/h
 Leistung: 1,1 kW
 Düsenverstellung: 50°
 Betätigung: pneumatisch
 Gewicht: 20 kg
 Schutzart: IP 55

Gegenstromanlage mit Stellfuß - Abmessungen
 (Abb. 2)

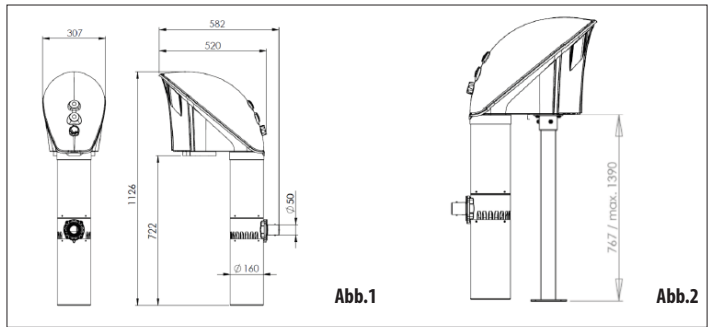


Abb.1

Abb.2

8.0 MONTAGE

Für den korrekten Betrieb der Gegenstromanlage ist es notwendig, dass die Gegenstromdüse am niedrigsten 300 mm unterhalb des Wasserspiegels im Pool eingetaucht wäre (siehe Abb. 1). Der optimale Bereich der Eintauchtiefe der Düse unter dem Wasserspiegel liegt zwischen 200 bis 300 mm. Bei der Installation der Gegenstromanlage in einen Pool ist es nicht erforderlich, die Luft aus dem Pumpengehäuse zu entlassen. Daher ist es möglich, die Gegenstromanlage in einen noch nicht gefüllten Pool zu installieren.

Installation der Gegenstromanlage in einen völlig versenkten Pool

Zur der Installation wird die im Lieferumfang befindliche Grundplatte verwendet. Sie ist auf dem Bodendeckel der Gegenstromanlage montiert.

Für die Montage ist es notwendig, eine Betongrundplatte (Beton B30) bei dem Pool aufzubauen, die 20 mm unter dem Niveau des Beckenrands sein muss. Die Gegenstromanlage wird dann an der oberen Leiste des Pools eingerichtet werden.

Vor der Installation ist es notwendig, die obere Abdeckung der Gegenstromanlage zu entfernen.

Die Gegenstromanlage wird mit dem Zylinder-Tubus möglichst nahe an der Wand oder Randleiste des Pools aufgesetzt.

Die Verankerung der Gegenstromanlage wird mit Ankerbolzen M8-160 (Abb. 3) durch chemischen Dübel (ein Zweikomponenten-Harzörtel für Fixierung von mechanischen Teilen zum mineralischen Untergrund) durchgeführt. Die Schraubensenkentiefe ist 138 mm. Zu der Sicherung ist es notwendig, 8,2 mm breite Unterlegscheiben und selbstsichernde Muttern M8 zu verwenden. Weder Schrauben noch andere Materialien sind inbegriffen.

Montage der Gegenstromanlage für oberirdische Schwimmbecken

Zur Montage wird der teleskopische Fuß verwendet, der den Bestandteil des Lieferumfangs nicht bildet.

Für die Montage ist die Betongrundplatte notwendig, die sich 767 bis 1390 mm unter dem Niveau der Schwimmbeckenoberkante befindet. Der Fuß wird dann so höhenverstellt, dass die Gegenstromanlage auf der Schwimmbeckenoberkante liegt.

Vor der Montage ist es nötig, die obere Abdeckung der Gegenstromanlage abzunehmen.

Die Gegenstromanlage wird mit dem Zylindertubus möglichst nahe an der Wand oder der Randleiste des Schwimmbeckens aufgestellt.

Die Ankerung wird mit Ankerschrauben M8-160 (Abb. 3) mittels chemischen Ankers durchgeführt. Die Tiefe der Versenkung der Schrauben beträgt 138 mm. Für Sicherung werden breite Scheiben 8,2 und Selbstsicherungsmutter M8 verwendet. Die Schrauben und auch sonstiges Material bilden nicht den Bestandteil des Lieferumfangs.

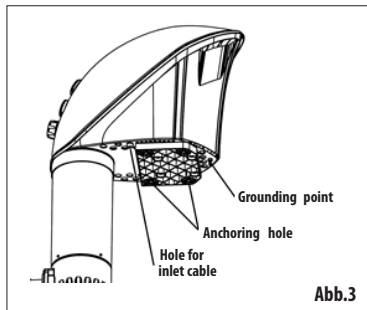
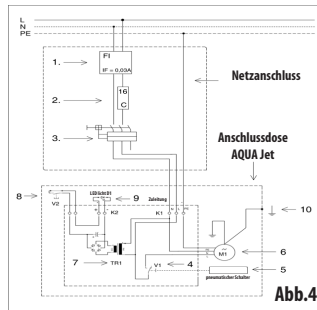


Abb.3

**Elektrisches Anschlussschema****AQUA Jet 50 (Abb. 4):**

1. FI-Schutzschalter $I_{\Delta n} \leq 30 \text{ mA}$, 16 A
2. Sicherung 16 A schnelle
3. Motoranlasser 2-polig 6-10 A
4. Drucktaster V1
5. Druckbetätigung des Schalters
6. Pumpenmotor M1
7. Sicherheitstrenntransformator mit dem Gleichrichter TR1
8. Schalter - Leuchte V2
9. LED Leuchte D1
10. Masseanschluss

Bemerkung: Posten 1,2 und 3 sind nicht inbegriffen

Elektrische Einbindung der Gegenstromanlage

Die Gegenstromanlage kann an das Stromnetz angeschlossen werden, erst nach einer richtigen mechanischen Verankerung ihrer Körper. Anschluss an das Stromnetz (beziehungsweise Abschluss) kann nur von einem Fachmann in Übereinstimmung mit den geltenden elektrotechnischen Vorschriften und Normen, insbesondere mit der Norm CSN 33-2000-7-702 (mit der Qualifikation gemäß Verordnung Nr. 50/1978 Slg., § 6) durchgeführt werden.



Die Gegenstromanlage ist es nötig ans Verteilungsnetz mittels Motoranlassers, Sicherung und des FI-Schutzschalters anzuschließen. Die Spezifikation siehe das Schaltschema, Abb. 4. Die Nichteinrichtung dieser Sicherheitselemente kann Lebensgefährdung und allgemeine Bedrohung verursachen. Diese Einrichtungen müssen außerhalb der Schutzzone des Schwimmbeckens (Zonen 0,1 und 2) untergebracht werden, siehe CSN 33 2000-7-702, durch welche die Unterbringung auf 3,5 m von der Schwimmbeckenwand, Abb. 5 festgelegt wird.

Weiter müssen sie im abschließbaren Schrank untergebracht und gegen Eindringen unbefugter Personen gesichert werden.



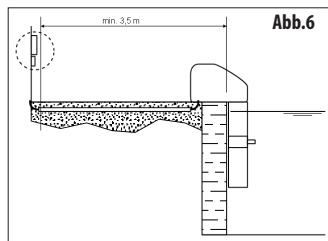
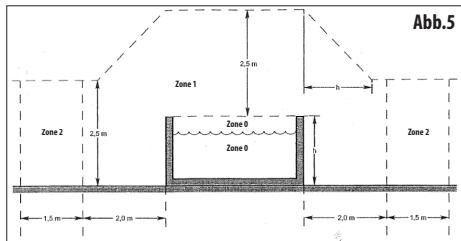
Das Netzkabel mit dem Mindestquerschnitt von 1,5 mm², muss durch die Kabeldurchführung in der unteren Abdeckung der Gegenstromanlage durchgesteckt werden, siehe Abb. 3. In dem Verteilungskasten muss das Kabel gegen Herausziehen gesichert werden. Auf dem Weg zur Gegenstromanlage muss das Kabel in einem Kabelrohr geführt werden, siehe Abb. 6.



Die Gegenstromanlage muss mit einem Erdungskabel von 2,5 mm² geerdet werden. Der Erdungsanschluss wird zu der Erdungsklemme montiert, die sich an der Unterseite der Abdeckung der Gegenstromanlage befindet, siehe Abb. 3. Der Schutzleiter muss separat in einem Kabelrohr zusammen mit dem Zuleitungskabel geführt werden. Das Erdungskabel muss an den Erdungsanschluss des Verteilungskastens angeschlossen werden.



Vor dem Anschluss an Stromnetz müssen alle Abdeckungen der Gegenstromanlage an den ursprünglichen Platz zurückgebracht werden!



9.0

INBETRIEBNAHME UND BEDIENUNG

Nach der mechanischen Verankerung, Vernetzung und Wiedermontage der Abdeckungen ist die Anlage für die Inbetriebnahme bereit.

Die Anlage wird mit dem Hauptschalter nach **Abb. 7** ein- und ausgeschaltet.

Bei extremen Außentemperaturen kann nach längerem Gebrauch (für mehrere Stunden) zu einer spontanen Abschaltung der Gegenstromanlage kommen. Es wird von der thermischen Sicherung verursacht, die den Motor vor Überhitzung schützt. Nach dem Motorabkühlen kann die Anlage wieder eingeschaltet werden.

Im Falle eines längeren Nichtgebrauchs der Gegenstromanlage wird es empfohlen, die Anlage vom Stromnetz mit dem Motoranlasser abzutrennen.

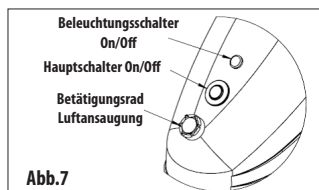


Abb.7



WARNUNG: Während des Betriebs der Gegenstromanlage bedecken Sie die Lüftungsöffnungen in ihrem Gehäuse nicht.

10.0

BETRIEB



Bitte beachten Sie: Einige Teile der Gegenstromanlage sind aus Stahl erzeugt. Obwohl sie überwiegend aus rostfreiem Stahl sind, ist es notwendig, im Zusammenhang mit der Verwendung von Chemikalien (insbesondere Chlorpräparaten) einige unten genannte Anweisungen zu folgen.

Bei der Verwendung von chemischen Zubereitungen sollte ihre korrekte Dosierung beachtet werden, insbesondere ist ihre Verwendung in übermäßigen Mengen zu vermeiden! Bei der Verwendung von Chlorzubereitungen wird empfohlen, **den Gehalt an Chlor im Poolwasser regelmäßig zu messen und seine Menge zu kontrollieren. Ein weiterer wichtiger Faktor ist die Kontrolle des pH-Werts vom Poolwasser.**

Eine unsachgemäße Pflege des Poolwassers und die Verwendung von übermäßigen Mengen von Chemikalien können zur Korrosion von Metallteilen der Gegenstromanlage sogar auch derjenigen aus rostfreien Materialien führen! Im Folgenden sind die häufigsten Ursachen angeführt, die die Metallteile der Gegenstromanlage beschädigen können:

- 1) Der Chlorspiegel – die Metallteile sind gegen eine bestimmte Konzentration von Chlor beständig, aber wenn die Chlorkonzentration übermäßig ist, kann es zur Korrosion auch bei Edelstahl-Materialien kommen.
- 2) Der pH-Wert des Poolwassers - der richtige pH-Wert liegt zwischen 7,0 und 7,4. Jede Änderung, vor allem die Verminderung des pH-Werts, verursacht die Aggressivität des Wassers und bewirkt die Korrosion auch gegenüber Edelstahl.
- 3) Der Gehalt an gelösten Salzen - max. 0,5‰.

Bei der Dosierung und Auflösung der Pool-Produkte im Beckenwasser darf die dosierte Chemikalie nicht in die Gegenstromanlage gelangen. Es ist empfohlen die Gegenstromanlage NICHT zu VERWENDEN. Vor der Durchführung der Schockbehandlung des Poolwassers empfehlen wir die Gegenstromanlage aus dem Pool zu demontieren und warten, bis der Chlorgehalt sinkt auf das richtige Niveau.

11.0

WARTUNG, ÜBERWINTERN

Der Betreiber muss sicherstellen, dass alle Wartungs-, Überwachungs- und Montagearbeiten von Menschen, die diese Betriebsanleitung gründlich studiert haben, durchgeführt werden. Sorgen Sie um die Sauberkeit des Poolwassers, damit die Saugabdeckung oder das Pumpengehäuse nicht verstopft wird.

Überprüfen Sie regelmäßig die Durchgängigkeit der Abluftöffnungen in der Gegenstromabdeckung und entfernen Sie eventuelle Ablagerungen, die die freie Luftzirkulation verhindern könnten.

Wenn die Anlage nicht verwendet oder ohne Wasser verlassen ist (z.B. wenn überwintert), muss die Stromversorgung des Motoranlassers ausgeschaltet werden, um ein unbeabsichtigtes Einschalten zu vermeiden.

Kontrollieren Sie regelmäßig die Vollständigkeit und Unversehrtheit von Abdeckungen und anderen Komponenten der Gegenstromanlage.

Für die Überwinterung sollte die Anlage demontiert und in einer trockenen Umgebung gelagert werden. Es ist möglich die Anlage draußen installiert zu lassen, aber nur unter der Bedingung, dass kein ihr Teil im Wasser getaucht bleibt.

Beim Pool-wiederauffüllen oder bei der Montage von der Gegenstromanlage überprüfen Sie die Durchgängigkeit der Bewässerungslöcher der Pumpe.

Wenn nicht im Wasser eingetaucht, darf die Gegenstromanlage nicht eingeschaltet werden.

12.0

PRODUKTPRÜFUNGEN

Das Produkt – die Gegenstromanlage AQUA Jet 50 ist in der Übereinstimmung mit den Anforderungen der folgenden europäischen Richtlinien (staatlichen Regulierungen) in der jeweils geltenden Fassung: 2006/95/EG (Regierungsverordnung Nr. 17/2003 Slg., über die technischen Anforderungen an Produkte in Bezug auf elektrische Niederspannungsanlagen), 2004/108/EG (Regierungsverordnung Nr. 616/2006 Slg., über die technischen Anforderungen an Produkte in Bezug auf ihre elektromagnetische Verträglichkeit) und 2011/65/EU (Regierungsverordnung Nr. 481/2012 Slg., über die Beschränkung der Verwendung von bestimmten gefährlichen Stoffen in Elektro- und Elektronikgeräten).

Das Produkt wurde in der Prüfanstalt der Maschinenbauindustrie in Brno getestet.

Ursprungsland: Tschechische Republik, erzeugte.

L'installation est construite et destinée à l'exploitation des piscines privées et des piscines familiales au jardin. L'installation n'est pas destinée pour les piscines publiques et pour l'usage commercial. Il est strictement nécessaire de respecter les instructions d'usage et d'installation, le montage et le service car toute installation électrique utilisée aux piscines et à la proximité des piscines doit être soumise à des exigences spéciales.

L'installation doit être montée dans les piscines avec la taille appropriée; si vous avez l'intention d'installer la pompe nage contre-courant, consultez le spécialiste pour les piscines.

2.0

DESCRIPTION

La pompe nage contre courant à suspendre AQUA JET 50 peut être exploitée sur tous les types des piscines encastrées dans le terrain (par exemple de feuille, polypropylène, stratifié etc.).

La partie inférieure de l'engin contient des orifices d'aspiration par lesquelles l'eau est aspirée dans la vanne de la turbine. L'eau est ensuite propulsée par la buse de mélange placée dans la chambre à partir de la turbine de retour à la piscine. L'ouverture et fermeture de la pompe est effectuée par un bouton pneumatique monté sur le carter placé au front de la machine. En tournant le dispositif du régulateur on peut augmenter ou limiter l'aspiration de l'air dans la buse. L'interrupteur de l'éclairage règle les nuances des couleurs de l'éclairage du contre-courant sous l'eau.

3.0

SYMBÔLES DES INSTRUCTIONS D'USAGE



Les instructions de sécurité mentionnées dans ce présent mode d'usage sont à respecter. Leur non respect peut menacer la santé des personnes. Elles sont désignées de façon standardisée en tant que symboles du danger



Le non respect des instructions de sécurité mentionnées dans ce présent mode d'usage peut menacer la santé des personnes par le courant électrique. Elles sont désignées de façon standardisée en tant que symboles du danger de courant électrique.

4.0

LES INSTRUCTIONS DE SÉCURITÉ

Il est nécessaire sans exception de respecter toutes les instructions mentionnées dans ce mode d'emploi!

Ce mode d'emploi contient les instructions de base à respecter lors de l'installation, l'exploitation et la maintenance. C'est la raison pour laquelle l'instruction doit être dûment suivie par l'utilisateur et par les spécialistes invités qui participent au montage spécialisé de l'installation.

Le non respect des instructions de sécurité peut menacer la santé des personnes et également de l'environnement, sans oublier les dommages causés sur l'installation telle qu'elle.

L'installation ne peut pas être exploitée sans couvercles.

La pompe nage à contre-courant est destinée uniquement pour la natation et pour les massages. Lors de son usage à d'autres objectifs que ceux qui sont mentionnés ci-dessus ou bien lors de la transformation non autorisée par le constructeur, le constructeur se déresponsabilise de toute responsabilité et de garantie à supporter ainsi que de la sécurité du produit ce qui vaut également pour la responsabilité du vendeur.

Les personnes qui effectuent le montage spécialisé doivent atteindre une spécialisation conformément avec les instructions électriques techniques en vigueur (qualification au termes de la directive n. 50/1978 Rec. S6).

Les personnes spécialisées du service et de la surveillance doivent être instruites dans la mesure spécifiée par ce présent mode d'emploi. Le propriétaire de l'installation est responsable du service, de la maintenance de l'installation et du respect des instructions de sécurité.

L'installation n'est pas destinée à être utilisée par les mineurs ou par les personnes avec une mobilité réduite, avec une capacité mentale réduite ou d'autres capacités sensorielles réduites à condition qu'il n'y pas une surveillance et une instruction par la personne autorisée. L'installation ne doit pas être utilisée par les personnes qui n'ont pas été préalablement instruites par ce mode d'emploi, les personnes sous influence des médicaments, des drogues ou avec une réactivité réduite.

La hauteur du niveau de la piscine ne doit pas dépasser les 300 mm au-dessus de l'axe de la buse de la pompe à contre-courant (voir la figure n. 1).

La température dans la piscine ne doit pas dépasser 35 °C.

5.0

INSTRUCTIONS DE SÉCURITÉ POUR LA MAINTENANCE ET POUR LE MONTAGE

Manipuler avec l'installation, effectuer la maintenance ou les travaux de montage est autorisé uniquement lors du débranchement du réseau électrique!

Il faut strictement respecter la procédure du débranchement de la machine comme décrit dans ce mode d'emploi.

Il faut monter juste après la fin des travaux tous les carters de sécurité sur l'engin de contre-courant et les rendre inséparables.

Avant le démarrage de la machine il faut respecter toutes les instructions mentionnées dans l'article concernant la mise en marche de l'installation.

La modification ou tout changement de l'installation sont admissibles uniquement après un accord préalable avec le constructeur. Pour ce qui concerne les pièces de réchange d'origine et les pièces autorisées par le constructeur. L'utilisation des pièces non autorisées conduit à la perte du droit au dédommagement ou indemnités quelconque.

La sécurité d'exploitation est garantie uniquement lors du respect de toutes les conditions mentionnées dans les instructions de montage.

N'exploitez pas l'installation endommagée ou incomplète. Si l'une des parties semble d'être endommagée ou manque, débranchez l'installation de l'alimentation électrique et laissez le réparer.

Ne marchez pas sur l'installation ni sur l'une de sa partie, ne vous asseyez pas là-dessus.

Il ne faut pas allumer la lumière de la piscine tant qu'elle n'est pas immergée dans l'eau entièrement. Elle peut perdre la capacité de sa luminosité ou se détruire entièrement.

6.0

TRANSPORT ET STOCKAGE

Pour empêcher l'endommagement et la perte des parties intégrantes, on peut défaire l'emballage original juste avant le montage.

Contenu de l'emballage:

- Pompe nage à contre-courant pour la piscine AQUA Jet 50
- Plaque de montage pour les piscines encastrées

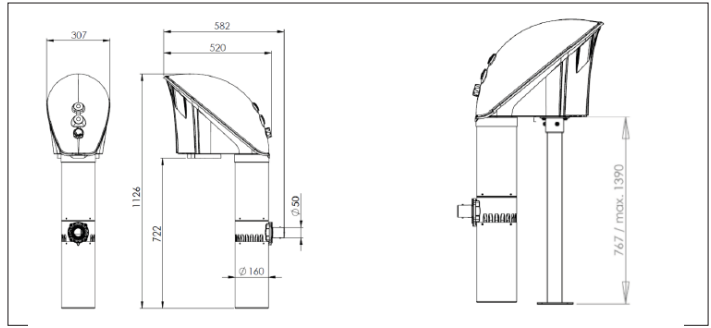
Accessoires optionnels de base

Pied réglable de la pompe de nage à contre-courant télescopique

Données techniques:

Tension: monophasé 230 V, 50 Hz
 Débit de la pompe: ~ 50 m³/h
 Capacité: 1,1 kW
 Inclinaison de la buse: 50°
 Commande: pneumatique
 Poids: cca. 20kg
 Degré de couverture: IP 55

Dimensions de la pompe de nage à contre-courant avec pied réglable (Fig.2)

**8.0 MONTAGE**

Pour un bon fonctionnement de la pompe nage à contre-courant il faut que la buse du contre-courant soit plongée au moins à 300 mm au-dessous du niveau d'eau dans la piscine (voir la figure n. 1). L'espace optimisé de la profondeur de la buse sous le niveau de l'eau oscille entre 200 – 300 mm. Il ne faut pas évacuer l'air de la pompe lors de l'installation de la pompe nage à contre-courant dans la piscine ce qui permet d'installer la pompe nage à contre-courant dans la piscine vide, sans eau.

Montage de la pompe nage à contre-courant dans une piscine complètement encastrée

On utilise pour le montage la plaque de base qui fait partie de la livraison et qui est montée sur le carter inférieur de la pompe à contre-courant.

Il faut construire pour ce type de montage une plaque de base en béton (béton B30), d'épaisseur allant jusqu'à 20 mm sous le niveau du bord de la piscine. La pompe nage à contre-courant sera installée sur la barre supérieure de la piscine.

Il faut enlever le carter supérieur de la pompe à contre-courant avant le propre montage.

La pompe à contre-courant est fixée à l'aide du tube cylindrique le plus près possible du mur ou de la barre située au bord de la piscine.

L'ancrage de la pompe à contre-courant est effectué par les vis d'ancrage M8-160 (voir figure 3), à l'aide de l'ancrage chimique (mortier bicomposé de la résine pour fixer les parties mécaniques au sous-sol minéral). La profondeur de vis est de 138 mm. On met les rondelles de 8,2 mm et les écrous d'auto-verrouillage M8 pour bien fixer les vis. Les vis et d'autre matériel ne font pas partie de la livraison.

Montage de la pompe de nage à contre-courant dans les piscines hors-sol

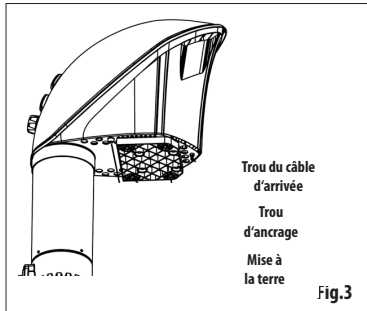
Un pied télescopique qui ne fait pas partie de la livraison est utilisé pour le montage.

Le montage nécessite une plaque de fondation en béton située entre 767 et 1390 mm au-dessous du niveau de l'arête de la piscine. Le pied est réglé par la suite en hauteur afin que la pompe de nage à contre-courant repose sur l'arête supérieure de la piscine.

Il est nécessaire d'enlever avant montage le capot supérieur de la pompe de nage à contre-courant.

La pompe de nage à contre-courant est posée à l'aide de la tubulure cylindrique le plus près possible de la paroi ou du lardon au bord de la piscine.

La fixation est réalisée à l'aide des vis d'ancrage M8-160 (Fig.3) et préparation chimique. La profondeur d'enfoncement des vis est de 138 mm. Pour bien les assurer, il faut utiliser des cales d'une largeur de 8,2 et un écrou autobloquant M8. Ni les vis ni les autres matériaux ne font partie de la livraison.



Trou du câble d'arrivée
 Trou d'ancrage
 Mise à la terre

Fig.3

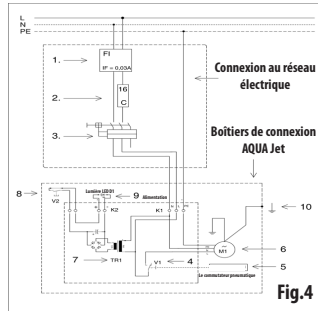


Fig.4

Schéma électrique pour AQUA Jet 50 (fig. 4):

1. Disjoncteur IF <= 30 mA, 16A
2. Fusible rapide de 16 A
3. Starter à deux positions 6-10 A
4. Interrupteur manométrique V1
5. Commande de l'interrupteur par bouton poussoir
6. Moteur de la pompe M1
7. Transformateur de séparation de sécurité et redresseur TRI
8. Interrupteur – lumière V2
9. Lumière LED D1
10. Borne de terre

Note: postes 1, 2 et 3 ne font pas partie de la livraison du contre-courant.

Cablage électrique des pompes nage à contre-courant

On ne peut connecter les pompes nage à contre-courant au réseau électrique qu'après le juste ancrage mécanique du corps de la pompe à contre-courant. La connection ou éventuellement (la déconnection) ne peut être effectuée que par la personne autorisée et qualifiée conformément avec les normes et instructions en vigueur, notamment la norme ČSN 33-2000-7-702 (qualifié au termes de la directive n. 50/1978 Rec. 56).



Il faut connecter les pompes nage à contre-courant au réseau à l'aide du démarreur de moteur, du disjoncteur et du RCD (voir le schéma de la connection fig. 4). Leur exclusion peut menacer la vie ou présenter le menace général. L'installation doit être située en dehors de la zone de protection de la piscine (zones 0, 1 et 2), voir la norme ČSN 33 2000-7-702, avec le minimum de 3,5 m à partir du parois de la piscine, voir fig.5.

Le démarreur de moteur, le disjoncteur et le RCD doivent être situés dans une armoire à fermeture pour empêcher l'accès aux personnes non autorisées



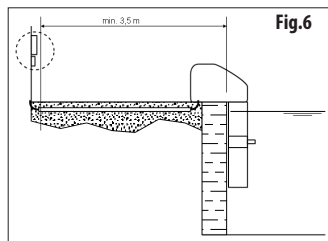
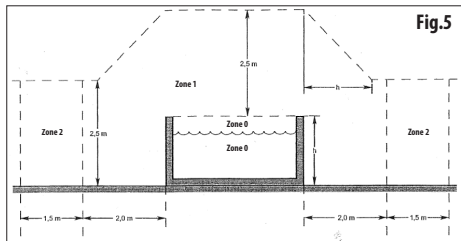
Le câble d'alimentation à section minimum de 1,5mm² passera par un tube de contact situé dans la partie inférieure du carter, voir fig. 3. Il faut l'assurer au niveau de la boîte contre son arrachement en le faisant passer par la presse-étoupe. En passant vers la pompe à contre-courant le câble doit se trouver dans un protecteur du câble, voir fig. 6.



La pompe à contre-courant doit être mise à terre par le câble de terre de 2,5 mm². Le boucle de terre est monté à la borne de terre placée dans la partie inférieure du carter de la pompe à contre-courant, voir fig. 3. Le conducteur de terre doit être tiré individuellement dans un protecteur de câble en commun avec le câble d'alimentation. Il faut connecter le câble de terre à la borne de terre situé dans l'armoire de distribution.



Avant la connection au réseau il faut rendre tous les carter à leur emplacement d'origine!



9.0

MISE EN MARCHÉ ET COMMANDE

Après l'ancrage mécanique, la connection au réseau et après la réinstallation des carters, l'installation est prête pour la mise en marche.

L'installation se lance et s'éteint par l'interrupteur général selon la figure 7.

Si la température externe devient extrême et lors de la longue exploitation (plusieurs heures) la pompe à contre-courant peut s'éteindre spontanément. Il y a un fusible thermique qui protège le moteur contre le surchauffement. Après le refroidissement du moteur on peut de nouveau allumer le moteur.

Nous recommandons en cas d'un long arrêt du contre-courant de déconnecter le contre-courant du réseau par biais du démarreur du moteur.

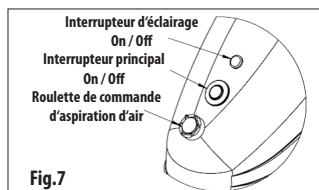


Fig.7



Attention: Ne couvrez pas les orifices d'aération lors de l'exploitation du contre-courant

10.0

EXPLOITATION



Avertissement: Certaines parties de la pompe à contre-courant sont fabriquées en acier. Il s'agit surtout de l'acier anti corrosif cependant en utilisant les agents chimiques (surtout les dérivés du chlore) il faut quand même respecter certaines instructions de base mentionnées ci-dessous.

Lors de l'utilisation des produits chimiques veuillez de respecter le juste dosage et évitez leur utilisation dans un volume excessif! Lors de l'utilisation des agents qui contiennent du chlore il est recommandé de prélever régulièrement les échantillons afin de contrôler leur juste contenu dans la piscine et leur volume. **D'autre facteur important à contrôler est le pH de l'eau de la piscine.**

Un soin inapproprié de l'eau de la piscine et l'utilisation excessive de la chimie peuvent causer la corrosion des parties montées sur la pompe à contre-courant, les parties métalliques autant que les autres parties! Vous trouverez plus bas les causes le plus courantes qui peuvent endommager les parties métalliques de la pompe à contre-courant:

- 1) Le niveau du chlore – les parties métalliques résistent à une certaine concentration du chlore, cependant si la concentration dépasse le niveau, elle peut causer les effets corrosifs même au matériel non métallique.
- 2) pH de l'eau dans la piscine – juste pH 7,0 – 7,4. Tout changement surtout visant à baisser le pH cause la croissance de taux de l'agressivité de l'eau et par la suite également le degré plus élevé de la corrosion pour le matériel d'origine non métallique.
- 3) Le contenu du sel dilué – max. 0,5 %

Il faut éviter le contact avec le nage à contre-courant lors du dosage et lors de la dissolution des produits destinés pour la piscine dans l'eau de la piscine. Nous recommandons de ne pas UTILISER le contre-courant. Avant l'intervention par traitement de choc de l'eau de la piscine nous recommandons de démonter la pompe nage à contre-courant de la piscine et attendre jusqu'à ce que le niveau de la piscine ne baisse à son juste niveau.

11.0

MAINTENANCE, HIVERNAGE

L'exploitant doit garantir que la maintenance, surveillance et montage soient effectuées par les personnes dûment informées qui ont préalablement étudié ce Mode d'emploi.

Veuillez à la pureté de l'eau dans la piscine, à ce que le couvercle d'aspiration ou bien le corps de la pompe ne soient pas obturés.

Contrôlez régulièrement le libre passage des orifices d'aération dans le carter du contre-courant, enlevez les éventuelles impuretés qui empêchent le libre passage d'air.

Si vous n'utilisez pas l'installation et vous la laissez vide pour une certaine période (par exemple période d'hivernage) éteignez le démarreur du moteur sur le circuit d'alimentation pour empêcher sa mise en marche spontanée.

Contrôlez de façon régulière la complexité et l'aspect intact des carters et autres parties intégrantes de la pompe à contre-courant.

Lors de l'hivernage nous vous recommandons de démonter l'installation et la stocker dans un endroit sec. Il est possible de laisser l'installation dehors à condition que aucune de ses parties ne restera immergée dans l'eau.

N'oubliez pas de contrôler lors du nouveau remplissage de la piscine ou lors de l'installation de la pompe à contre-courant le passage libre des orifices d'irrigation sur le corps de la pompe.

La pompe nage à contre-courant ne doit pas être lancée électriquement sans son immersion préalable dans l'eau

12.0

TESTS DU PRODUIT

Le produit pompe nage à contre-courant AQUA Jet 50 est en conformité avec les exigences, les normes et les directives européennes (réglementation du gouvernement) modifié ultérieurement: 2006/95/ES (réglementation du gouvernement n. 17/2003 Rec., par lequel sont fixées les exigences techniques concernant les installations à basse tension), 2004/108/ES (réglementation du gouvernement n. 616/2006 Rec., par lequel sont fixées les exigences techniques aux produits du point de vue de la compatibilité électromagnétique) et 2011/65/EU (réglementation du gouvernement n. 481/2012 Sb., des restrictions sur l'utilisation de certains substances dangereuses dans les installations électriques ou électroniques).

Le produit a été testé sur le banc d'essai mécanique - Strojirenský zkušební ústav Bmo.

Pays d'origine: République Tchèque

Anordningen är konstruerad och avsedd för användning i privata sim- och trädgårdsbassänger. Den är inte avsedd för offentliga badinrättningar och kommersiell användning. Det är nödvändigt att följa instruktionerna i bruksanvisningen för installation, montage och drift, eftersom de pumpar som används i bassängerna är föremål för särskilda krav. Anordningen skall installeras i bassänger med motsvarande storlek, placeringen av motströmsanordningen skall konsulteras med en bassängspecialist. Det är nödvändigt att följa instruktionerna i bruksanvisningen för installation, montage och drift, eftersom de pumpar som används i bassängerna är föremål för särskilda krav, bruksanvisningen skall alltså finnas tillgänglig vid anordningen.

2.0

BESKRIVNING

Den upphängbara motströmsanordningen AQUA JET 50 kan användas i alla typer av nedsänkta bassänger (t.ex. folie- polypropylen-, laminatbassänger o.dyl.). Genom den bakre delen av kroppen sugts vatten in genom sugöppningarna till turbinen. Från turbinen trycks vattnet vidare genom vattenkammaren och blandningsmunstyckens tillbaka till bassängen. På- och avslagning av pumpen görs med den pneumatiska knappen placerad på maskinens främre kåpa. Genom att vrida på luftregleraren är det möjligt att slå på och av insugsluften i munstyckena. Med belysningens strömbrytare är det möjligt att kontrollera de justerbara färgerna för motströmsanordningens undervattensbelysning.

3.0

MARKERADE INSTRUKTIONER I BRUKSANVISNINGEN



Säkerhetsanvisningarna i denna bruksanvisning, vars icke-efterlevnad kan innebära hälsorisker, är markerade med allmänna symboler för faror



Säkerhetsanvisningarna i denna bruksanvisning, vars icke-efterlevnad kan äventyra personer genom elektriska stötar, är markerade med allmänna varningssymboler för elektriska stötar

4.0

SÄKERHETSFÖRESKRIFTER

Det är utan undantag nödvändigt att följa alla säkerhetsinstruktioner i bruksanvisningen!

Denna bruksanvisning innehåller grundläggande instruktioner som skall följas under installation, drift och underhåll. Därför skall denna bruksanvisning läsas igenom av användaren och tillkallade yrkesmän som deltar i det yrkesmässiga montaget av anordningen.

Underlåtenhet att följa säkerhetsföreskrifterna kan inte bara leda till hälsorisker utan även föreställa en risk för miljön och själva utrustningen.

Anordningen får inte användas utan sina skyddskåpor.

Motströmsanordningen är endast avsedd för simning och massage. Vid användning av den för andra ändamål eller vid ombyggnad av den, som har tillåtits av tillverkaren, upphör alla garantianspråk.

Personal för professionell installation av enheten måste uppfylla de relevanta yrkeskvalifikationerna.

Ombyggnad av eller ändringar på anordningen är endast tillåtna efter samråd med tillverkaren. Endast originalreservdelar som auktoriserats av tillverkaren får användas. Användning av icke godkända reservdelar leder till förlust av alla eventuella ersättningskrav.

Driftsäkerheten hos maskinen kan endast garanteras vid iakttagandet av samtliga villkor som anges i bruksanvisningen. Använd inte den ofullständig eller skadad utrustning. Om någon del saknas eller är skadad, skall anordningen kopplas ut ur elnätet och repareras. Det är inte tillåtet att kliva eller sitta på anordningen eller någon av dess delar.

Vattennivån i bassängen får inte överstiga 300 mm över motströmsanordningens munstyckens axlar (se bild 1).

Temperaturen på vattnet i bassängen får inte överstiga 35 °C

5.0

SÄKERHETSANVISNINGAR FÖR UNDERHÅLL OCH MONTAGE

Göra ingrepp i anordningen, utföra underhåll eller installationsarbete är möjligt endast efter att anordningen kopplats ur elnätet!

Instruktionerna för att ta maskinen ur drift, som beskrivs i denna bruksanvisning, skall ovillkorligen följas.

Omedelbart efter avslutat arbete skall alla skydds- och säkerhetskåpor monteras tillbaka på motströmsanordningens kropp och säkras mot att åtskållas.

Innan du startar om maskinen är det nödvändigt att beakta alla anvisningar i avsnittet för idrifttagning av anordningen.

Ombyggnad av eller ändringar på anordningen är endast tillåtna efter samråd med tillverkaren. Endast originalreservdelar som auktoriserats av tillverkaren får användas. Användning av icke godkända reservdelar leder till förlust av alla eventuella ersättningskrav.

Driftsäkerheten hos maskinen kan endast garanteras vid iakttagandet av samtliga villkor som anges i bruksanvisningen.

Använd inte den ofullständig eller skadad utrustning. Om någon del saknas eller är skadad, skall anordningen kopplas ut ur elnätet och repareras.

Det är inte tillåtet att kliva eller sitta på anordningen eller någon av dess delar.

Bassängbelysningen får inte slås på, om den inte är helt nedsänkt i vatten. Detta kan resultera i förlust av ljusstyrkan eller att belysningen helt förstörs.

6.0

TRANSPORT OCH FÖRVARING

För att förhindra skador och förlust av enskilda komponenter får originalförpackningen öppnas omedelbart innan installationen.

Förpackningens innehåll:

- Bassängens motströmsanordning AQUA Jet 50
- Monteringsplatta för nedsänkta bassänger

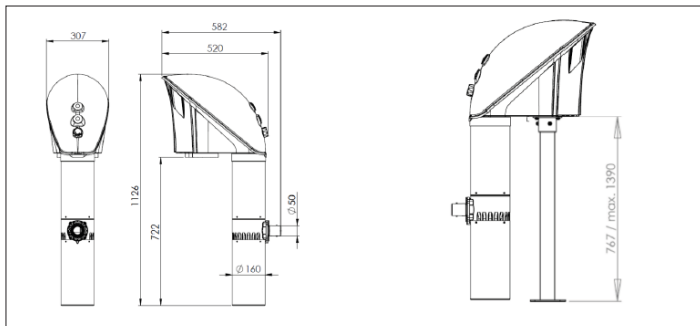
Grundläggande valfri utrustning

Motströmsanordningens justerbara teleskopen för monage på delvis nedsänkta bassänger eller bassänger ovan jord

Tekniska data:

Spänning: enfas 230 V, 50 Hz
 Pumpflöde: ~ 50 m³/t
 Effekt: 1,1 kW
 Styrning: pneumatisk
 Vikt: ca. 20 kg
 Kapslingsklass: IP 55

Måten för motströmsanordning med justerbara ben (**Bild 2**)



8.0 MONTAGE

För att motströmsanordningen skall fungera korrekt är det nödvändigt att motströmsanordningens munstycke sänks ner maximalt 300 mm under bassängens vattenyta (se **bild 1**). Optimalt mått för nedsänkningen av munstyckena under vattenytan är mellan 200-300 mm. Vid installation av motströmsanordningen i bassängen är det inte nödvändigt att släppa ut luften ur pumphuset. Därför är det möjligt att installera en motströmsanordning i en bassäng som inte är fylld.

Montage av motströmsanordning i en helt tömd bassäng

För montage används en grundplatta som medföljer i leveransen och är monterad på motströmsanordningens undre lock.

För installationen är det nödvändigt att bygga in en grundbetongplatta (betong B30), som skall vara 20 mm under bassängkanten. Motströmsanordningen kommer alltså att placeras på bassängens övre kant.

Före installationen är det nödvändigt att avlägsna motströmsanordningens övre skyddskåpa.

Motströmsanordningen sätts i med det cylindriska röret så nära väggen eller bassängkanten som möjligt.

Fästandet av motströmsanordningen görs med förankringsbultarna M8-160 (**bild 3**), med hjälp av kemiska förankringar (tvåkomponents hartshaltigt murbruk för fästande av mekaniska komponenter till ett mineralunderlag). Skruvarnas försänkning är 138 mm för fästandet är det nödvändigt att använda breda brickor 8,2 mm och en självväsende mutter M8. Skruvar och annat material, ingår inte i leveransen.

Montage av motströmsanordning för bassänger ovan mark

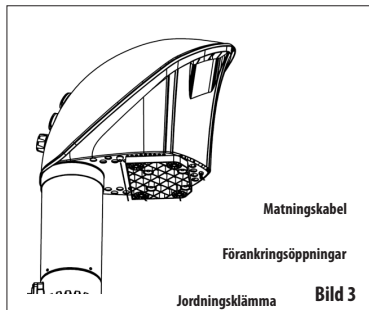
För montering används teleskopiska ben, som inte ingår i leveransen. Innan montage av benen är det nödvändigt att ta bort monteringsplattan från motströmsanordningens nedre lock. Med samma skruvar monteras sedan benet.

För installationen är det nödvändigt att bygga in en betongplatta som skall vara 767 till 1390 mm under bassängkanten. Benets höjd justeras sedan så att kanten på motströmsanordningens nedre lock lutas mot bassängens övre kant.

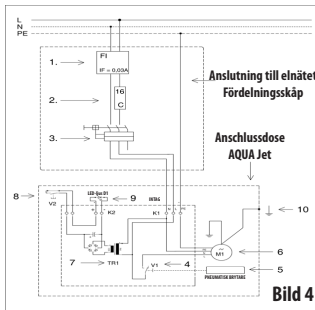
Innan montage är det nödvändigt att avlägsna motströmsanordningens övre skyddskåpa.

Motströmsanordningen sätts i med det cylindriska röret så nära väggen eller bassängkanten som möjligt.

Fästandet görs med förankringsbultarna M8-160 (**bild 4**) med hjälp av kemiska förankringar (tvåkomponents hartshaltigt murbruk för fästande av mekaniska komponenter till ett mineralunderlag). Skruvens försänkning är 138 mm. För fästandet är det nödvändigt att använda breda brickor 8,2 mm och en självväsende mutter M8. Skruvar och annat material, ingår inte i leveransen.

**Elektrisk anslutning av motströmsanordningen**

Motströmsanordningen får anslutas till elnätet först efter korrekt mekanisk förankring av motströmsanordningens kropp. Anslutningen till elnätet (eller fränkoppling) får endast utföras av en kvalificerad yrkesperson i enlighet med gällande elektrotekniska föreskrifter och standarder, särskilt normen ČSN 33-2000-7-702 (med behörighet enligt förordning 50/1978 i lagsamlingen, § 6).

**Elektriskt kopplingschema för****AQUA Jet 50 (bild 4):**

1. Jordfelsbrytare If=30mA
2. Säkring 16A, karaktärstik C
3. Motorstarter 6A till 10A
4. Pneumatiska motorströmbrytare V1
5. Pneumatiskt styrd strömbrytare
6. Pumpmotor M1
7. Isolationstransformator med likriktare TR1 för LED-lamporna D1
8. Belysningsströmbrytare V2
9. LED-ljus D1
10. Jordningsklämma

OBS: enheterna 1,2 och 3 ingår inte i motströmsanordningens leverans



Motströmsanordningen skall anslutas med hjälp av motorstartern, säkringarna och jordfelsbrytaren (se kopplingsdiagrammet bild 4). Underlåtenhet att installera dessa säkerhetselement kan orsaka livshotande faror och allmänna risker. Anordningen skall placeras utanför bassängens säkerhetszon (zon 0, 1 och 2), se ČSN 33 2000-7-702, som har fastställts till 3,5 m från bassängväggen, se bild 5.

Vidare skall den placeras i ett låsbart fördelningsskåp säkrat mot öppnas av obehöriga personer.



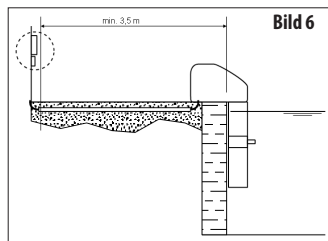
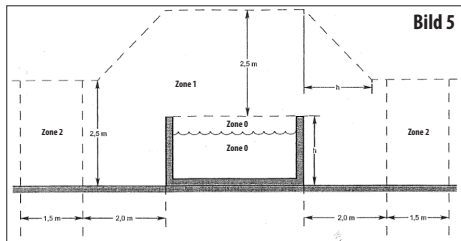
Distributionskabeln med ett minimalt på 1,5 mm², skall dras igenom kabelgenomföringen i motströmsanordningens nedre skyddskåpa, se bild 3. I dosan skall den sedan säkras mot att ryckas ut genom att dras genom kopplingsdosans genomföring. På vägen till motströmsanordningen skall kabeln ledas i ett kabelskydd, se bild 6.



Motströmsanordningen skall jordas med en jordningskabel på 2,5 mm². Jordslingan monteras på en jordningsklämma som är placerad i nedre delen av motströmsanordningens skyddskåpa, se bild 3. Jordningsledaren skall dras separat i kabelskyddet tillsammans med distributionskabeln. Jordningskabeln måste vara ansluten till kopplingsplinten i fördelarskåpet.



Innan anslutning till elnätet är det nödvändigt att återställa alla skyddskåpor till sina ursprungliga platser!



9.0

IDRIFTTAGNING OCH HANTERING

Efter den mekaniska förankringen, anslutningen till elnätet och återmonteringen av skyddskåporna är anordningen klar att tas i drift. Anordningen slås på och stängs av med huvudströmbrytaren som visas på bild 7.

Vid extrema utomhustemperaturer kan det vid långvarig drift (flera timmar) inträffa en spontan avstängning av motrömsanordningen. Orsaken är termosäkring som skyddar motorn mot överhettning. Efter att motorn svalnat kan anordningen tas i drift igen. Om motrömsanordningen inte används under en längre tid rekommenderas att den kopplas ur elnätet med motorstartern.

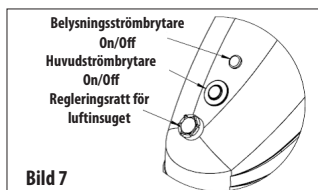


Bild 7



OBS: När motrömsanordningen är i drift skall ventilationsöppningarna i motrömsanordningens skyddskåpor inte täckas över.

10.0

DRIFT



Varning: vissa delar av motrömsanordningen är tillverkade av stål. Även om det till största delen rör sig om rostfritt stål, krävs det i samband med användning av kemikalier (i synnerhet klorpreparat) att iaktta några av de nedan angivna instruktionerna.

Vid användning av kemiska preparat är det viktigt att se till att de doseras på rätt sätt, i synnerhet är det viktigt att undvika användning av dem i överdrivna mängder! Vid användning av klorpreparat rekommenderas att regelbundet mäta mängden klornehållet i bassängens vatten och kontrollera mängden. En annan viktig faktor är att kontroll av bassängens pH-värde. Felaktig skötsel av bassängvattnet och användning av stora mängder kemikalier kan orsaka korrosion av motrömsanordningens metalldelar och då även de i rostfritt stål! Nedan anges vanligaste orsakerna som kan orsaka skador på motrömsanordningens metalldelar:

- 1) Klormängden – metalldelarna är resistent mot en viss koncentration av klor, men om klorconcentrationen blir för stor kan det uppstå korrosion även i rostfria material.
- 2) pH för bassängvattnet – korrekt pH 7,0 – 7,4. Alla förändringar, särskilt en minskning av pH-värdet, orsakar aggressivitet i vattnet och korrosion även i rostfria material.
- 3) Halten av lösta salter – max. 0,5 %

Vid dosering och upplösning i av bassängpreparat i bassängvattnet får de doserade kemikalierna inte tränga in i motrömsanordningen. Vi rekommenderar att du INTE ANVÄNDER motrömsanordningen innan genomförande av chockbehandling av bassängvattnet rekommenderas att motrömsanordningen monteras ned och att man väntar tills det att klore sjunker till korrekt nivå.

11.0

UNDERHÅLL, VINTERFÖRVARING

Användaren skall se till att allt underhåll, tillsyn och montering utförs av personer som noggrant har studerat bruksanvisningen.

Se till att bassängvattnet är rent så att inte sugkåpan eller pumpkroppen blir igentäppta.

Kontrollera regelbundet genomsläppligheten för ventilationsöppningarna i motrömsanordningens skyddskåpa och avlägsna eventuellt skräp som skulle hindra det fria luftflödet.

Om du inte använder anordningen eller om den är utan vatten (t.ex. vid vinterförvaring) är det nödvändigt att stänga av motorstartern på matarkretsen för att undvika oavsiktlig aktivering.

Kontrollera regelbundet att motrömsanordningens skyddskåpor och komponenter är felfria.

För vinterförvaring rekommenderas att montera ned anordningen och förvara den i en torr miljö. Det är dock möjligt att lämna enheten påmonterad utomhus, under förutsättning att ingen av dess delar kommer att lämnas nedsänkt i vattnet.

Vid återfyllning av bassängen eller vid installation av motrömsanordningen kontrolleras genomsläppligheten för vattenfyllningsöppningarna på pumpkroppen.

Motrömsanordningen får inte startas elektriskt utan att den är nedsänkt i vatten

12.0

PRODUKTTESTER

Produkten motrömsanordningen AQUA Jet 50 uppfyller kraven i följande EU-direktiv (regeringsförordningar) i gällande lydelse: 2006/95/EG (regeringsförordning nr. 17/2003 i lagsamlingen, som fastställer tekniska krav på elektrisk lågsäpningstrustning) och 2004/108/EG (regeringsförordning nr. 616/2006 i lagsamlingen, som fastställer tekniska krav på produkter gällande deras elektromagnetiska kompatibilitet). Produkten har testats av Maskintestintstitutet i Brno. Ursprungsland: Tjeckien

De installatie is ontworpen en bestemd voor gebruik in privé-zwembaden en baden in tuinen e.d. Ze is niet bestemd voor openbare zwembaden en commercieel gebruik. Men dient zich aan de in de handleiding voor de installatie, montage en bediening opgenomen informatie te houden, want aan voor zwembaden bestemde pompen worden speciale eisen gesteld. De installatie moet geplaatst worden in een zwembad met geschikte afmetingen, vraag over het aanbrengen van een tegenstroom advies aan bij een zwembadspecialist. Men dient zich naar de in de handleiding voor de installatie, montage en bediening opgenomen instructies te richten, want aan voor zwembaden bestemde pompen worden speciale eisen gesteld. De handleiding moet zich altijd op een toegankelijke plaats in de buurt van de installatie bevinden.

2.0

OMSCHRIJVING

De hangende tegenstroom AQUA JET 50 kan gebruikt worden in alle typen ingezonken zwembaden (zoals bijv. folie-baden, polypropyleen-baden, laminaat-baden enz.). Door het achterzijde van de installatie wordt via de zuigopeningen water aangezogen naar de turbinerimte. Vanuit de turbine wordt het water door de kamer en de mengspuitmond terug het zwembad ingespoten. Het in- en uitschakelen van de pomp vindt plaats met behulp van een pneumatische drukknop die is aangebracht op de voorplaat van de machine. Door de luchtregulator te verdraaien kan het aanzuigen van lucht in de spuitmond in- en uitgeschakeld worden. Met de lichtschakelaar wordt de van kleur veranderende onderwaterverlichting van de tegenstroom bediend.

3.0

AANDUIDINGEN BIJ DE AANWIJZINGEN VAN DE HANDLEIDING



De veiligheidsaanwijzingen in deze handleiding die, wanneer ze niet worden opgevolgd, tot gevolg kunnen hebben dat er risico's ontstaan voor de gezondheid van personen, zijn aangeduid met het algemene gevarensymbool.



De veiligheidsaanwijzingen in deze handleiding die, wanneer ze niet worden opgevolgd, tot gevolg kunnen hebben dat personen het risico lopen van verwondingen door elektrische stroom, zijn aangeduid met het algemene gevarensymbool voor elektrische stroom.

4.0

VEILIGHEIDSAANWIJZINGEN

Alle in deze handleiding opgenomen veiligheidsaanwijzingen dienen zonder uitzondering opgevolgd te worden!

Deze bedieningshandleiding bevat basisaanwijzingen, die bij de installatie, het gebruik en het onderhoud opgevolgd dienen te worden. Daarom moet deze handleiding bestudeerd worden door zowel de gebruiker als door deskundigen die deelnemen aan de vakkundige montage van de installatie.

Het niet opvolgen van veiligheidsaanwijzingen kan tot gevolg hebben dat er niet alleen risico's voor de gezondheid van personen ontstaan, maar ook voor de omgeving en de installatie zelf.

De installatie mag niet gebruikt worden zonder haar afdekking.

De tegenstroom is uitsluitend bestemd voor zwemmen en massages. Ingeval van gebruik t.b.v. andere doeleinden en ingeval van door de producent niet toegestane aanpassingen, komen alle garanties te vervallen.

De personen die de vakkundige montage van de installatie uitvoeren, dienen te beschikken over de benodigde vaktechnische kwalificaties.

De personen die de bediening, het onderhoud en het toezicht uitvoeren moeten geschoold zijn aan de hand van de volledige inhoud van deze gebruikshandleiding. De eigenaar van de installatie is verantwoordelijk voor de bediening, het onderhoud en de handhaving van de veiligheidsaanwijzingen.

De installatie is niet bestemd voor gebruik door minderjarigen of door personen met verlaagde fysieke, psychische of mentale capaciteiten, wanneer er niet gezorgd is voor toezicht en begeleiding door een verantwoordelijke persoon. De installatie mag niet gebruikt worden door personen die geen kennis van de bediening hebben genomen aan de hand van de volledige inhoud van deze gebruikshandleiding, noch door personen onder invloed van medicijnen, verdovende middelen of door personen die een verlaagde reactiesnelheid hebben.

Het waterpeil in het zwembad mag niet hoger zijn dan 300 mm boven de as van de spuitmond van de tegenstroom (zie afb. 1).

De temperatuur van het zwembadwater mag niet hoger zijn dan 35 °C.

5.0

VEILIGHEIDSAANWIJZINGEN VOOR HET ONDERHOUD EN DE MONTAGE

Het is alleen toegestaan handelingen, onderhoud of montagewerkzaamheden aan de installatie uit te voeren wanneer de machine van het elektriciteitsnetwerk is losgekoppeld!

De in deze handleiding opgenomen werkwijze voor het buiten bedrijf zetten van de machine dient onvoorwaardelijk gehandhaafd te worden.

Direct na afloop van de werkzaamheden moeten alle beschermende en veiligheidsdekplaten op het frame van de tegenstroom teruggemonteerd en vastgezet worden.

Voor het opnieuw in bedrijf stellen van de machine dient men alle instructies in acht te nemen, die zijn opgenomen in de alinea voor inwerkingstelling van de installatie.

Aanpassingen of wijzigingen aan de installatie zijn uitsluitend toegestaan in overleg met de producent. Voor vervanging mag uitsluitend gebruik gemaakt worden van originele vervangende onderdelen, die geautoriseerd zijn door de producent. Het gebruik van niet goedgekeurde vervangende onderdelen leidt tot verlies van willekeurig welke aanspraken op schadevergoeding.

De gebruiksvaardigheid van de machine wordt uitsluitend gegarandeerd wanneer alle in de gebruikshandleiding opgenomen voorwaarden gehandhaafd worden.

Maak geen gebruik van incomplete of beschadigde installaties. Wanneer willekeurig welk onderdeel ontbreekt of beschadigd is, sluit de installatie dan af van het elektriciteitsnetwerk en laat haar repareren.

Het is verboden op de installatie of op delen ervan te staan of te zitten.

Het is verboden de zwembadverlichting in te schakelen wanneer ze zich niet volledig onder water bevindt. Dit zou kunnen leiden tot verlies van helderheid of tot volledige vernietiging van de verlichting.

6.0

TRANSPORT EN OPSLAG

Om beschadiging en het kwijtraken van onderdelen te voorkomen mag de originele verpakking pas vlak voor de montage geopend worden.

Inhoud van de verpakking:

- Zwembad-tegenstroom AQUA Jet 50
- Montage-plaat voor ingezonken zwembaden

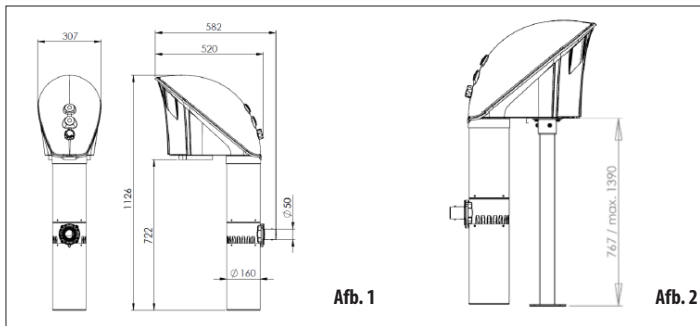
Belangrijkste toebehoren naar wens

Telescopische steelpoot voor de tegenstroom t.b.v. montage in gedeeltelijk ingezonken en bovengrondse zwembaden.

Technische gegevens:

Spanning: één fase 230 V, 50 Hz
 Doorstroom v.d. pomp: ~ 50 m³/h
 Vermogen: 1,1 kW
 Bediening: pneumatisch
 Gewicht: ongeveer 20 kg
 Beschermingsgraad: IP 55

Afmetingen van de tegenstroom
 met stelpoot (Afb. 2)



Afb. 1

Afb. 2

8.0 MONTAGE

Om de tegenstroom goed te laten functioneren mag de spuitmond van de tegenstroom zich maximaal 300 mm onder het oppervlak van het zwembadwater bevinden (zie **afb. 1**). De optimale diepte van de spuitmond onder het wateroppervlak ligt tussen de 200 en 300 mm. Bij de installatie van de tegenstroom in het zwembad hoeft de lucht niet uit de pomp gehaald te worden. Het is daardoor mogelijk de tegenstroom ook in nog niet volgelopen zwembaden te installeren.

Montage van de tegenstroom in volledig ingezonken zwembaden

Bij de montage wordt gebruik gemaakt van een montageplaat, die deel uitmaakt van de levering en aan het onderdekse van de tegenstroom bevestigd wordt.

Ten behoeve van de montage dient bij het zwembad een betonnen fundamentplaat aangelegd te worden (beton B30), die zich 20 mm onder het niveau van de zwembadrand moet bevinden. De tegenstroom wordt dan op de bovenrand van het zwembad geplaatst.

Vóór de montage moet de bovendekplaat van de tegenstroom afgenomen worden.

Plaats de tegenstroom met de cilindervormige tubus zo dicht mogelijk tegen de wand of de rand van het zwembad.

Veranker de tegenstroom m.b.v. verankeringsbouten M8-160 (**afb. 3**), m.b.v. een chemisch verankeringsmiddel (tweecomponenten epoxy mortel voor de bevestiging van mechanische delen in een minerale ondergrond). De diepte van de boorgaten dient 138 mm te zijn. Maak voor het vastzetten gebruik van brede 8,2 mm ringen en van zelfzekerende moeren M8. Noch de bouten, noch de overige materialen maken deel uit van de levering.

Montage van de tegenstroom in bovengrondse zwembaden

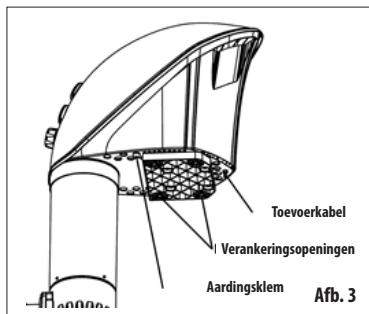
Bij de montage wordt gebruik gemaakt van een telescopische poot, die geen deel uitmaakt van de levering. Vóór de montage van de poot dient de montageplaat van het onderdekse van de tegenstroom verwijderd te worden. Vervolgens dient de poot met dezelfde bouten gemonteerd te worden.

Ten behoeve van de montage dient een fundamentplaat aangelegd te worden, die zich 767 tot 1390 mm onder het niveau van de zwembadrand bevindt. De poot wordt vervolgens zodanig afgesteld, dat de rand van het onderdekse van de tegenstroom op de rand van het zwembad ligt.

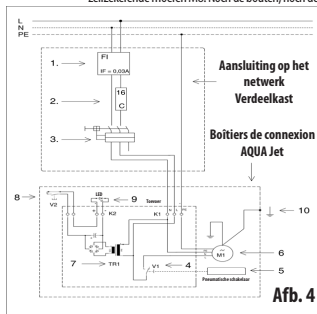
Vóór de montage moet de bovendekplaat van de tegenstroom afgenomen worden.

Plaats de tegenstroom met de cilindervormige tubus zo dicht mogelijk tegen de wand of de rand van het zwembad.

Veranker de tegenstroom m.b.v. verankeringsbouten M8-160 (**afb. 3**), m.b.v. een chemisch verankeringsmiddel (tweecomponenten epoxy mortel voor de bevestiging van mechanische delen in een minerale ondergrond). De diepte van de boorgaten dient 138 mm te zijn. Maak voor het vastzetten gebruik van brede 8,2 mm ringen en van zelfzekerende moeren M8. Noch de bouten, noch de overige materialen maken deel uit van de levering.



Afb. 3



Afb. 4

Elektrisch aansluitingsschema van**de AQUA Jet 50 (afb. 4):**

1. Aardlekschakelaar IF = 30 mA
2. Installatieautomaat 16 A, C-karakteristiek
3. Motorbeveiligingsschakelaar 6 A tot 10 A
4. Pneumatische schakelaar van de motor V1
5. Pneumatische bediening van de schakelaar
6. Pompmotor M1
7. Veiligheidsscheidingstransformator met gelijkrichter TR1 voor LED D1
8. Verlichtingsschakelaar V2
9. LED D1
10. Aardingsklem

Opmerking: De onder 1, 2 en 3 genoemde voorwerpen maken geen deel uit van de levering van de tegenstroom

Elektrische aansluiting van de tegenstroom

De tegenstroom mag pas op het elektriciteitsnetwerk worden aangesloten wanneer het frame naar behoren is verankerd. De aansluiting op het elektriciteitsnetwerk (en eventueel het loskoppelen), mag uitsluitend worden uitgevoerd door een gekwalificeerde deskundige, overeenkomstig de geldende elektrotechnische voorschriften en normen, met name de Tsjechische norm CSN 33-2000-7-702 (d.w.z. met kwalificaties conform verordening 50/1978 Sb. § 6).



Tegenstromen moeten aan het distributienetwerk worden aangesloten m.b.v. een motorbeveiligingsschakelaar, een installatieautomaat en een aardlekschakelaar (zie het aansluitingsschema, **afb. 4**). Het niet opnemen van deze veiligheidselementen kan levensgevaarlijke risico's veroorzaken, of gevaarstelling in het algemeen. Deze installaties moeten buiten de beschermingszone van het zwembad geplaatst worden (zones 0, 1 en 2), zie de Tsjechische norm CSN 33 2000-7-702, die is vastgesteld als een zone van 3,5 m rond de zwembadwand, zie **afb. 5**.

Verder moeten ze in een afsluitbare verdeelkast geplaatst worden, die beveiligd is tegen het binnendringen van onbevoegden.



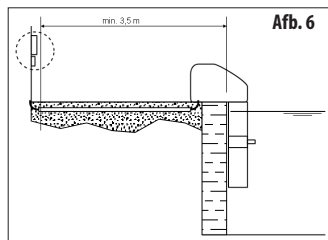
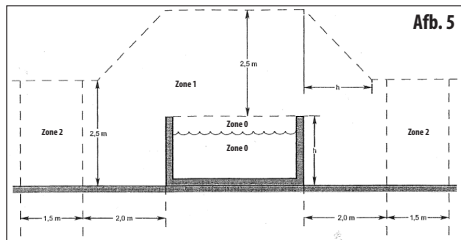
De toevoerkabel met een minimale doorsnede van 1,5 mm² dient door de kabelopening in het onderdekse van de tegenstroom geleid te worden, zie **afb. 3**. In de doos moet hij gezeikerd worden tegen losrukken door hem door de kabelwartel van de verdeeldoos te leiden. Op het tracé naar de tegenstroom moet de kabel door een beschermende kabelslang geleid worden, zie **afb. 6**.



De tegenstroom moet geaard worden met een aardingskabel van 2,5 mm². Het aardingsoog wordt bevestigd aan de aardklem, die zich aan de onderzijde van de dekplaten van de tegenstroom bevindt, zie **afb. 3**. De aardingskabel moet uit een afzonderlijke geleider bestaan, die samen met de toevoerkabel door de kabelslang geleid wordt. De aardingskabel moet in de verdeelkast aan de aardklem bevestigd worden.



Voordat de installatie wordt aangesloten op het netwerk moeten alle dekplaten van de tegenstroom op hun oorspronkelijke plaats zijn aangebracht!



9.0

INWERKINGSTELLING EN BEDIENING

Nadat de tegenstroom mechanisch verankerd is, en aangesloten op het netwerk, en nadat alle dekplaten teruggemonteerd zijn, kan de installatie in werking gesteld worden.
De installatie wordt opgestart door gebruik te maken van de hoofdschakelaar, zie **afb. 7**.

Bij extreme buitentemperaturen kan het gebeuren dat de werking van de tegenstroom na langdurig gebruik (enige uren) automatisch wordt uitgeschakeld. Dit wordt veroorzaakt door de thermische zekering, die de motor beschermt tegen oververhitting. Nadat de motor is afgekoeld kan de installatie weer ingeschakeld worden.

Wanneer de tegenstroom langdurig niet gebruikt wordt, adviseren we hem m.b.v. de motorbeveiligingsschakelaar los te koppelen van het netwerk.



Afb. 7



LET OP: Dek de ventilatie-Openingen in de dekplaten van de tegenstroom niet af wanneer de installatie in gebruik is.

10.0

GEBRUIK



Waarschuwing: Sommige onderdelen van de tegenstroom zijn vervaardigd van metaal. Ook al handelt het hier voornamelijk om RVS, toch dient men zich in verband met het gebruik van chemische middelen (met name chloorhoudende middelen) te houden aan de hieronder opgenomen aanwijzingen.

Bij de toepassing van chemische middelen dient men zich te houden aan de juiste dosering, men dient met name te voorkomen dat er te grote hoeveelheden gebruikt worden! Bij de toepassing van chloorhoudende middelen adviseren we **regelmatig het chloorgehalte van het zwembadwater te meten en te controleren of de hoeveelheid juist is. Een andere belangrijke factor is dat de pH-waarde van het zwembadwater gecontroleerd dient te worden.** Onjuiste verzorging van het zwembadwater en de overmatige toepassing van chemicaliën kan roestvorming van de metalen onderdelen van de tegenstroom veroorzaken, ook van de RVS onderdelen! Hieronder voeren we de meest voorkomende oorzaken aan, die schade aan onderdelen van de tegenstroom kunnen veroorzaken:

- 1) Het chloorgehalte – metalen onderdelen zijn bestand tegen bepaalde chloorconcentraties, maar als de chloorconcentratie te hoog is kan zelfs bij RVS materialen roestvorming optreden.
- 2) De pH-waarde van het zwembadwater. De juiste pH-waarde is 7,0 tot 7,4. Willekeurig welke wijziging, met name verlaging van de pH-waarde, leidt ertoe dat het water agressief is, hetgeen zelfs bij RVS materialen roestvorming kan veroorzaken.
- 3) Gehalte van opgeloste zouten – max. 0,5 %.

Tijdens het toevoegen van doses zwembadchemicaliën aan en het oplossen van chemicaliën in het zwembadwater mogen deze chemicaliën niet in de tegenstroom terechtkomen. We adviseren de tegenstroom op dergelijke momenten NIET IN TE SCHAKELEN. We adviseren de tegenstroom vóór de uitvoering van schokbehandelingen van het zwembadwater uit het zwembad te demontieren en te wachten totdat het chloorgehalte weer gedaald is tot het juiste niveau.

11.0

ONDERHOUD, OVERWINTERING

De exploitant van de installatie dient er zorg voor te dragen dat al het onderhoud, het toezicht en de montage worden uitgevoerd door personen die grondig hebben kennisgemaakt met de bedieningshandleiding. Zorg ervoor dat het zwembadwater schoon is, zodat de aanzuigopening(en) of het pomplichaam niet verstopt raken.

Controleer regelmatig of de ventilatie-Openingen in de dekplaten van de tegenstroom niet verstopt zijn en verwijder eventueel vuil, dat een belemmering zou kunnen vormen voor de vrije doorstroom van lucht.

Wanneer u de installatie niet gebruikt of het water uit het zwembad laat lopen (bijv. 's winters) moet de motorbeveiligingsschakelaar van het toevoercircuit uitgeschakeld worden, zodat de motor niet per ongeluk aanzet kan worden.

Controleer regelmatig of de afdekplaten en overige onderdelen van de tegenstroom compleet en onbeschadigd zijn.

We adviseren de installatie vóór de winter te demontieren en op te slaan in een droge ruimte. De installatie kan echter ook buiten overwinteren, dit echter onder voorwaarde dat er geen enkel onderdeel van de installatie in het water gedompeld blijft.

Controleer bij het opnieuw vullen van het zwembad, of bij de hernieuwde installatie van de tegenstroom, of de waterinlaatopening(en) in de buitenwand van de pomp niet verstopt zijn.

De elektriciteit van de tegenstroom mag niet worden ingeschakeld wanneer de installatie niet in het water gedompeld is.

12.0

TESTS VAN HET PRODUCT

Het product zwembad-tegenstroom AQUA Jet 50 is in overeenstemming met de vereisten van de geldende versies van de volgende Europese richtlijnen (Tsjechische regeringsverordeningen): 2006/95/EG (regeringsverordening nr. 17/2003 Sb., ter vaststelling van technische eisen aan elektrische laagspanningsinstallaties (de Laagspanningsrichtlijn)) en 2004/108/EG (regeringsverordening nr. 616/2006 Sb., ter vaststelling van technische eisen aan producten met betrekking tot hun elektromagnetische compatibiliteit).

Het product is getest door het instituut Strojnický Zkušební Ústav Brno te Brno, Tsjechische Republiek. Land van herkomst: Tsjechische Republiek

Naprava je konstruirana in namenjena za obratovanje v plavalnih, vrtnih in privatnih bazenih. Ni namenjena za javna kopališča in komercialno rabo.

Upoštevajte podatke v navodilih za uporabo, montažo in rokovanje, saj za bazenske črpalke veljajo posebna pravila.

Zato je primeren za izkušene in rekreativne plavalce. Napravo namestite v bazen ustrezne velikosti, glede namestitve protitoka pa se posvetujte s specializiranimi trgovci za bazene.

Upoštevajte napotke v navodilih za namestitev, montažo in rokovanje, saj za bazenske črpalke, veljajo posebna pravila. Navodila shranjujte v bližini naprave.

2.0

OPIS

Obesni prototok AQUA JET 50 se lahko uporablja v vseh tipih vgradnih bazenov (npr. folijskih, polipropilenskih, lamino in drugih).

Skrozi zadnji del ohišja in sesalne odprtine priteka voda v prostor turbine. Od turbine pa voda skrozi mešalno šobo priteka nazaj v bazen. Za vklop in izklop črpalke služi pnevmatski gumb, ki je montiran na prednjem pokrovu stroja. Z obračnanjem regulatorja zraka je možen vklop in izklop dostopa dodatnega zraka v šobo. S stikalom osvetlitve lahko nastavite več barv podvodne luči protitoka.

3.0

OZNAKE ZA NAPOTKE V NAVODILIH



Varnostni napotki navedeni v teh navodilih, katerih neupoštevanje ima za posledico ogrožanje zdravja oseb, so označeni s splošnimi simboli za nevarnost



Varnostni napotki v teh navodilih, katerih neupoštevanje ima za posledico ogrožanje zdravja oseb zaradi električnega udara, so označeni s splošnimi opozorilnimi simboli nevarnosti električnega udara.

4.0

VARNOSTNI NAPOTKI

Brez izjeme upoštevajte vse varnostne napotke, ki so navedeni v teh navodilih za uporabo!

Ta navodila za uporabo vsebujejo osnovne napotke, ki jih boste morali upoštevati pri namestitvi, delovanju in vzdrževanju. Zato uporabnik in drugi strokovnjaki morajo ta navodila za uporabo natančno prebrati, še preden se lotijo montaže naprave.

Neupoštevanje varnostnih napotkov lahko pomeni ogrožitev zdravja oseb, kot tudi neposrednega okolja in naprave same.

Naprava se ne sme uporabljati nepokrita.

Prototok je namenjen samo za plavanje in masiranje. Pri njeni uporabi v drug namen ali za rekonstrukcijo, ki ni bila poprej dogovorjena s proizvajalcem, uporabnik izgubi pravico do garancije.

Strokovnjaki, ki se lotijo montaže naprave, morajo biti ustrezno kvalificirani.

Osebe za rokovanje, vzdrževanje in nadzor morajo biti seznanjene z vsebino teh navodil za uporabo. Za vzdrževanje naprave in rokovanje z njo ter upoštevanje varnostnih napotkov odgovarja njen lastnik.

Naprava ni namenjena za uporabo mladoletnim osebam, osebam z znižanimi psihofizičnimi ali mentalnimi sposobnostmi, v kolikor niso izurjeni in pod nadzorom odgovorne osebe. Naprave ne smejo uporabljati osebe, ki niso natančno prebrale ta navodila za uporabo, niti osebe pod vplivom zdravil, mamil in drugih pripravkov, ki upočasnjujejo sposobnost hitrega reagiranja.

Višina vode v bazenu ne sme preseči 300 mm nad središčem šobe protitoka (glej sliko 1)

Temperatura vode v bazenu ne sme preseči 35 °C

5.0

VARNOSTNI NAPOTKI ZA VZDRŽEVANJE IN MONTAŽO

Rokovanje z napravo, vzdrževanje ali montažna dela so možna samo, kadar je električni krog naprave zanesljivo izključen!

Obvezno upoštevajte postopke za izklop naprave, ki so opisani v teh navodilih.

Po končanih delih morajo biti vsi zaščitni in varnostni elementi naprave ponovno montirani na ohišje protitoka in morajo biti varovani pred odpiranjem.

Pred ponovnim zagonom naprave upoštevajte vse napotke, navedene v odstavku za uvedbo naprave v pogon.

Preoblikovanje in spreminjanje je možno le po dogovoru s proizvajalcem. Dotrajane dele lahko zamenjujete samo z originalnimi deli, ki jih priporoči proizvajalec. Z uporabo neodobrenih rezervnih delov uporabnik izgubi vsako pravico do povrnitve morebitne škode.

Delovna varnost naprave je možna samo ob upoštevanju vseh pogojev, ki so navedeni v teh navodilih za uporabo.

Ne uporabljajte nepopolnih ali poškodovanih naprav. Če je katerikoli del poškodovan ali manjka, napravo izključite iz omrežja in odnesite v popravilo.

Ne posedajte in ne stojajte na napravo ali na njene dele.

Ne prižigajte bazenske luči, če ni popolnoma potopljena v vodo. S tem lahko izgubi svojo svetilnost ali se popolnoma poškoduje.

6.0

TRANSPORT IN SKLADIŠČENJE

Da bi preprečili poškodbe in izgubo posameznih delov pripravljamo, da originalni ovitek snamete neposredno pred montažo.

Obseg dobave:

- Bazenski prototok AQUA Jet 50
- Montažna plošča za vgradne bazene

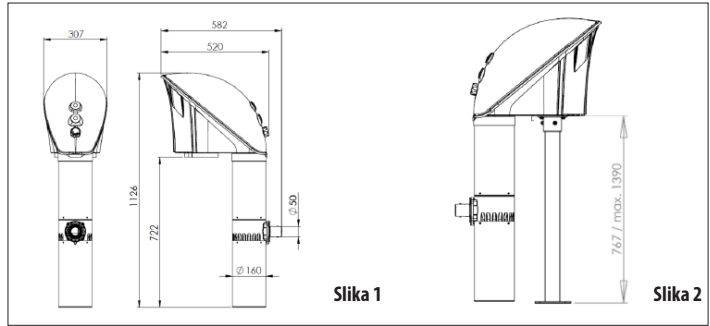
Osnovna oprema po izbiri

Teleskopski podpornik protitoka za montažo na delne ali vgrajene nadzemne bazene

Tehnični podatki:

Napetost: enofazni 230 V, 50 Hz
 Pretok črpalke: ~ 50 m³/h
 Moč: 1,1 kW
 Način uporabe: pnevmatski
 Teža: ca. 20kg
 Stopnja zašite: IP x5

Dimenzije protitoka s podpornikom (Slika 2)



Slika 1

Slika 2

8.0 MONTAŽA

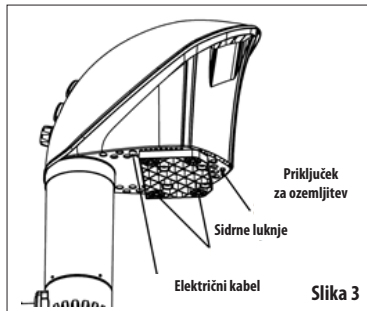
Za pravilno delovanje protitoka mora biti šoba protitoka potopljena najmanj 300 mm pod vodno gladino v bazenu (glej sliko 1). Optimalno je lahko šoba potopljena pod vodo med 200 – 300 mm. Pri namestitvi protitoka v bazeni ni potrebno izpuščati zraka iz ohišja črpalke. Zato lahko namestite protitok tudi v prazen bazen.

Montaža protitoka v popolnoma vgrajen bazen

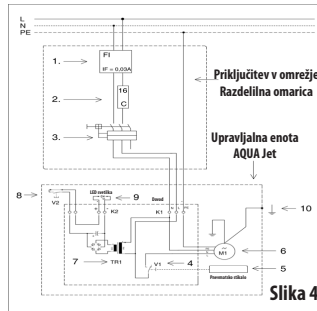
Za montažo se uporablja temeljna plošča, ki je sestavni del izdelka. Montira se na spodnji pokrov protitoka. Pred montažo boste morali izdelati temeljno betonsko ploščo (beton B30), ki mora biti 20 mm pod nivojem roba bazena. Protitok se bo tako nahajal na zgornji letvi bazena. Pred montažo najprej snemite zgornji pokrov protitoka. Protitok namestite v valjastim tubusom čim bližje steni ali robni letvi bazena. Protitok usidrajte s sidrnimi vijaki M8-160 (slika 3), s pomočjo kemičnega sidra (dvokomponentna smolna malta za pritrjevanje mehanskih delov na mineralno podlago). Globina vgradnje vijakov je 138 mm. Za pritrditve je potrebna uporaba široke podloške 8,2 mm in varovalne matice M8. Vijaki in drug material, niso priloženi bazenu.

Montaža protitoka za nadzemne bazene

Za montažo se uporablja teleskopski podpornik, ki ni priložen izdelku. Pred montažo podpornika je potrebno odstraniti montažno ploščo s spodnjega pokrova protitoka. Z istimi vijaki nato montirate še podstavek. Pred montažo je potrebno izdelati osnovno betonsko ploščo, ki bo od 767 do 1390 mm pod nivojem roba bazena. Podpornik se višinsko nastavi tako, da se rob spodnjega pokrova protitoka nahaja na zgornji letvi bazena. Pred montažo najprej snemite zgornji pokrov protitoka. Protitok namestite v valjastim tubusom čim bližje steni ali robni letvi bazena. Protitok usidrajte s sidrnimi vijaki M8 - 160 (slika 3) s pomočjo kemičnega sidra (dvokomponentna smolna malta za pritrjevanje mehanskih delov na mineralno podlago). Globina vgradnje vijakov je 138 mm. Za pritrditve je potrebna uporaba široke podloške 8,2 mm in varovalne matice M8. Vijaki in drug material, niso priloženi bazenu.



Slika 3



Slika 4

Električna shema priključitve AQUA Jet 50 (sl. 4):

1. Tokovna varovalka IF=30mA
2. Varovalo 16A, karakteristika C
3. Motorni zaganjač 6A do 10A
4. Pnevmsko stikalo motorja V1
5. Pnevmsko upravljanje stikala
6. Motor črpalke M1
7. Varnostni delilni transformator z usmerjevalnikom TR1 za LED luč D1
8. Stikalo za izklop V2
9. LED luč D1
10. Priključitev za ozemljitev

Opomba: postavke 1, 2 in 3 niso sestavni del protitoka

Električna priključitev protitoka

Protitok lahko priključite na omrežje šele, ko ga temeljito mehansko usidrate. Na električno mrežo lahko napravijo priključitve oz. izključitve le kvalificiran strokovnjak v skladu z veljavnimi elektrotehničnimi predpisi in standardi, predvsem pa s standardom ČSN 33-2000-7-702 (s kvalifikacijo po odredbi št. 50/1978 Zbirke. S6).



Protitok priključite na električno mrežo preko motornega zaganjača, varovalke in tokovnega varovala (glej shemo priključitve slika 4). Neuporaba teh varnostnih elementov lahko ogrozi življenje oseb ali povzroči še druge škode. Te naprave morajo biti nameščene izven varnostnega področja bazena (cone 0, 1 in 2), glej ČSN 33 2000-7-702, ki je določeno na 3,5 m od stene bazena, glej sliko 5.

Nato morajo biti nameščene v zapiralni stikalni omarici in varovani proti vdoru nepoklicanih oseb.



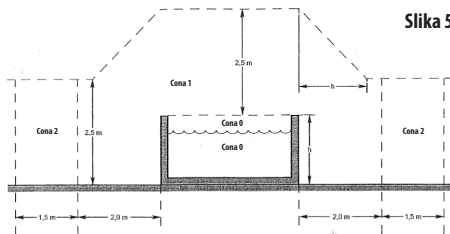
Električni kabel minimalnega premera 1,5 mm², je potrebno potegniti skozi kabelsko objemko v spodnjem pokrovu protitoka, glej sliko 3. V škatli ga je potem potrebno zavaruovati proti trganju tako, da se potegnes skozi kabelsko objemko stikalne škatle. Na trasi protitoka mora biti kabel napeljan v kabelskem varovalu, glej sliko 6.



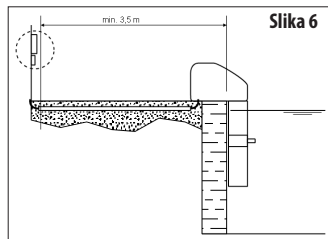
Protitok mora biti ozemljen s posebnim kablom Ø 2,5 mm². Zanka ozemlitve se montira na sponko ozemlitve, ki se nahaja v spodnjem delu pokrova protitoka, glej sliko 3. Prevodnik ozemlitve mora biti napeljan posebej, v kabelskem ščitniku, skupaj z električnim kablom. Ozemlitveni kabel se priključuje na sponko stikalne omarice.



Pred priključitvijo na omrežje morajo biti vsi pokrovi nameščeni na protitoku!



Slika 5



Slika 6

Mehansko usidrana, priključena na omrežje in zaprta z varnostnimi ščitniki je naprava pripravljena za delovanje. Napravo zaženete in izklopite z glavnim stikalom kot kaže slika 7.

Pri višjih temperaturah okolja lahko pride po večerem delovanju do samodejnega izklopa protitoka. To povzroča toplotna varovalka, ki varuje motor pred pregrevanjem. Ko se motor ohladi, lahko napravo ponovno vklopite. V kolikor protitoka ne uporabljate dalj časa priporočamo, da ga izključite z motornim zaganjačem.



Slika 7



POZOR: Med delovanjem protitoka ne pokrivate zračnih reg na pokrovu protitoka.



Opozorilo: Določeni deli protitoka so proizvedeni iz jekla. Kljub temu, da je to nerjaveče jeklo, boste morali v zvezi z uporabo kemičnih pripravkov (predvsem na bazi klora) upoštevati nekoliko spodaj navedenih napotkov.

Pri uporabi kemičnih pripravkov obvezno upoštevajte pravilno doziranje, predvsem pa jih ne uporabljajte v prekomernih količinah. Pri uporabi klorovih pripravkov priporočamo, da redno merite vsebnost i količino klora v bazenu. Razen tega obvezno preverjate tudi pH vrednost vode.

Nepravilna nega bazenske vode in uporaba prekomerne količine kemije lahko povzroči rjavenje kovinskih delov protitoka ter spremembe nerjavečih delov! Spodaj navajamo najpogostejše vzroke, ki lahko kovinske dele protitoka poškodujejo:

- 1) Količina klora – kovinski deli so odporni proti določenim koncentracijam klora, vendar če so vrednosti klora previsoke, lahko pride do rjavenja tudi nerjavečih materialov.
- 2) pH vrednost vode v bazenu – ustreza pH vrednost je 7,0 – 7,4. Kakršnokoli nihanje, predvsem padanje pH vrednosti, povzroča, da je voda postane neprimerna tudi za nerjaveče dele bazena.
- 3) Vsebnost raztopljene soli – maks. 0,5

Pri doziranju in topljenju bazenskih pripravkov v bazensko vodo ne sme (niti dozirana) bazenska kemija prodrati v protitek. Priporočamo, da NE UPORABLJATE protitoka. Pred uporabo klorovega šoka v bazenu priporočamo, da protitek demontirate in počakate dokler koncentracija klora ne pade na ustrezno raven.

Uporabnik poskrbi, da vzdrževanje, nadzor in montažo opravljajo le osebe, ki so natančno prebrale navodila za uporabo.

Poskrbeti morate, da bo voda v bazenu vedno čista, sesalni pokrov oz. ohišje črpalke pa vedno prosti.

Redno preverjate prehodnost prezačevalnih odprtlin v pokrovu protitoka in odstranite morebitne nečistoče, ki bi preprečevale nemoten pretok zraka.

V kolikor naprave ne uporabljate ali v njej ne puščate vode (npr. pred zimo itd.), izključite motorni zaganjač na tokokrogu, da ne pride do neželenega vklopa.

Redno preverjate popolnost in nepoškodovanost ščitnikov in sestavnih delov protitoka.

Za zimsko shranjevanje pripravljamo, da napravo demontirate in shranite na suhem. Napravo lahko pustite tudi zunaj, pod pogojem, da noben njen del ne bo potopljen v vodi.

Pri ponovnem polnjenju bazena z vodo ali namestitvi protitoka preverite prehodnost odprtin za vodo na ohišju črpalke.

Protitek ne sme biti električno prižgan, ne da bi bil potopljen v vodi.

Bazenski protitek AQUA Jet 50 je kot izdelek usklajen z zahtevami naslednjih evropskih smernic (uredb vlade) v veljavnem besedilu: 2006/95/ES (uredba vlade št. 17/2003 Zbirke, s katero se določijo tehnične zahteve glede nizkonapetostnih električnih naprav) in 2004/108/ES (uredba vlade št. 616/2006 Zbirke, s katero se določijo tehnične zahteve za izdelke glede elektromehanske skladnosti).

Izdelek je bil testiran pri Strojniškem preizkusnem zavodu v Brnu. Država porekla: Češka republika

Urządzenie jest przeznaczone do użytku w prywatnych basenach pływackich oraz ogrodowych. Nie jest przeznaczone do użytku na publicznych kąpieliskach oraz do komercyjnego użytku.

Należy przestrzegać zaleceń znajdujących się w instrukcji montażu i obsługi, ponieważ pomp stosowanych w basenach mogą dotyczyć szczególne wymagania.

Urządzenie należy zamontować w basenie o odpowiedniej wielkości, dokładnie umiejscowienie przeciwprądu należy skonsultować ze specjalistą.

Należy przestrzegać zaleceń znajdujących się w instrukcji montażu i obsługi, ponieważ pomp stosowanych w basenach mogą dotyczyć szczególne wymagania. Instrukcja obsługi musi być przez cały czas dostępna w pobliżu urządzenia.

2.0

OPIS

Wisyjący przeciwprąd AQUA JET 50 jest przeznaczony do użytku we wszystkich rodzajach zagłębianych basenów (np. foliowych, polipropylenowych, laminatowych itp.).

Przez umieszczone w tylnej części korpusu otwory ssące zasysana jest woda do przestrzeni turbiny. Woda jest wypychana z turbiny przez komorę i dyszę mieszającą z powrotem do basenu. Pompa jest włączana i wyłączana za pomocą pneumatycznego przycisku zamontowanego z przodu obudowy urządzenia. Za pomocą regulacji powierza możliwe jest włączenie lub wyłączenie zasysania powietrza w dyszę. Za pomocą wyłącznika oświetlenia można sterować różnokolorowym podwodnym oświetleniem przeciwprądu.

3.0

OZNACZENIA ZALECEŃ ZNAJDUJĄCYCH SIĘ W INSTRUKCJI



Znajdujące się w niniejszej instrukcji zalecenia dotyczące bezpieczeństwa, których nieprzestrzeganie może spowodować zagrożenie dla zdrowia, zostały oznaczone za pomocą powszechnie stosowanych symboli zagrożenia.



Znajdujące się w niniejszej instrukcji zalecenia dotyczące bezpieczeństwa, których nieprzestrzeganie może spowodować porażenie prądem elektrycznym, zostały oznaczone za pomocą powszechnie stosowanych symboli ostrzegających przed prądem elektrycznym.

4.0

INSTRUKCJE BEZPIECZEŃSTWA

Należy przestrzegać wszystkich zaleceń dotyczących bezpieczeństwa znajdujących się w niniejszej instrukcji

Niniejsza instrukcja zawiera podstawowe zalecenia, których należy przestrzegać podczas montażu, eksploatacji i konserwacji urządzenia. W związku z tym z instrukcją powinien zapoznać się użytkownik oraz specjaliści zajmujący się montażem urządzenia.

Nieprzestrzeganie instrukcji bezpieczeństwa może spowodować nie tylko zagrożenie dla zdrowia, ale również zagrożenie dla otoczenia i samego urządzenia.

Urządzenie nie może być eksploatowane bez obudowy.

Przeciwprąd jest przeznaczony wyłącznie do pływania i masażu. W przypadku użycia do innych celów lub nieautoryzowanej przez producenta przebudowie urządzenia wygasają wszystkie roszczenia z tytułu gwarancji.

Osoby zajmujące się profesjonalnym montażem sprzętu muszą posiadać odpowiednie kwalifikacje zawodowe.

Osoby zajmujące się obsługą, konserwacją i nadzorem muszą zostać pouczone w zakresie objętym niniejszą instrukcją obsługi. Właściciel urządzenia odpowiada za obsługę i konserwację urządzenia oraz za przestrzeganie instrukcji bezpieczeństwa.

Urządzenie nie jest przeznaczone do użytku przez osoby niepełnoletnie, osoby o ograniczonej sprawności ruchowej, sensorycznej lub umysłowej, chyba że znajdują się pod nadzorem i zostały poinstruowane przez odpowiedzialną osobę. Urządzenie nie może być używane przez osoby, które nie zostały zaznajomione z zasadami obsługi w zakresie niniejszej instrukcji, osoby będące pod wpływem leków, środków odurzających i posiadające ograniczoną zdolność szybkiego reagowania.

Poziom wody w basenie nie może przekroczyć 300 mm ponad osłony przeciwprądu (zob. Rys. 1).

Temperatura wody w basenie nie może przekroczyć 35°C.

5.0

INSTRUKCJE BEZPIECZEŃSTWA DOTYCZĄCE MONTAŻU I KONSERWACJI

Przemieszczenie urządzenia, przeprowadzenie konserwacji lub prace związane z montażem można wykonywać wyłącznie po odłączeniu urządzenia od zasilania!

Należy bezwzględnie przestrzegać zawartych w niniejszej instrukcji zaleceń dotyczących wyłączenia urządzenia z eksploatacji.

Niezwłocznie po zakończeniu prac należy ponownie nałożyć na korpus przeciwprądu wszystkie ochronne i zabezpieczające obudowy, które muszą zostać zabezpieczone przed usunięciem.

Przed ponownym włączeniem urządzenia należy przestrzegać wszystkich zaleceń dotyczących jego uruchomienia.

Dokonywanie przekształceń lub zmian w urządzeniu jest możliwe wyłącznie po uzyskaniu zgody producenta. Należy używać wyłącznie oryginalnych, autoryzowanych przez producenta części zamiennych.

Stosowanie nieautoryzowanych części zamiennych może prowadzić do utraty wszelkich praw do odszkodowania.

Bezpieczeństwo podczas eksploatacji urządzenia jest zapewnione wyłącznie w przypadku przestrzegania wszystkich warunków określonych w instrukcji obsługi.

Nie używać niekompletnego lub uszkodzonego urządzenia. Jeżeli brakuje jakiegokolwiek części lub jest uszkodzona, należy odłączyć urządzenie od zasilania i przekazać je do naprawy.

Zabrania się wchodzenia czy siadania na urządzeniu lub jakiegokolwiek jego części.

Nie należy włączać basenowego oświetlenia, jeżeli nie jest w całości zanurzone w wodzie. W takiej sytuacji może dojść do zmniejszenia natężenia światła lub całkowitego zniszczenia oświetlenia.

6.0

TRANSPORT I PRZECHOWYWANIE

Aby uniknąć ewentualnych uszkodzeń i zgnębienia poszczególnych elementów zaleca się rozpakowanie produktu z oryginalnego opakowania bezpośrednio przed montażem.

Zawartość opakowania:

- Przeciwprąd basenowy AQUA Jet 50
- Płyta do montażu w basenach zagłębianych

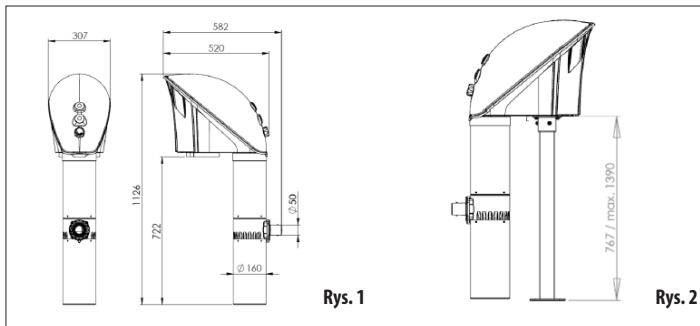
Podstawowe akcesoria dodatkowe

Teleskopowy stojak na przeciwprąd do montażu w częściowo zagłębianych lub naziemnych basenach

Dane techniczne:

Napięcie: jednofazowe 230 V, 50 Hz
 Przepływ pompy: ~ 50 m³/h
 Moc: 1,1 kW
 Sterowanie: pneumatyczne
 Masa: ok. 20 kg
 Stopień ochrony: IP x5

Wymiary przeciwpłądu ze stojakiem (Rys. 2)



Rys. 1

Rys. 2

8.0 MONTAŻ

W celu zapewnienia prawidłowego funkcjonowania dysza przeciwpłądu nie może być zanurzona poniżej 300 mm pod powierzchnią wody w basenie (zob. Rys. 1). Optymalny zakres głębokości zanurzenia dyszy pod powierzchnią wody wynosi od 200 do 300 mm. Podczas montażu przeciwpłądu w basenie nie ma konieczności odpowietrzenia korpusu pompy. Dlatego możliwy jest montaż przeciwpłądu również w basenie jeszcze przed jego napełnieniem.

Montaż przeciwpłądu w całkowicie zagłębionym basenie

Do montażu służy podstawa, która stanowi część dostawy i jest zamontowana do dolnej pokrywy przeciwpłądu.

Do montażu konieczne jest wybudowanie przy basenie betonowego fundamentu (beton B30), który musi znajdować się 20 mm poniżej krawędzi basenu. Przeciwpłąd zostanie w ten sposób umieszczony na górnej listwie basenu.

Przed montażem należy zdjąć górną obudowę przeciwpłądu.

Przeciwpłąd mocuje się za pomocą okrągłej rurki jak najbliższej ściany lub listwy krawędziowej basenu.

Przeciwpłąd kotwi się za pomocą śrub kotwiących M8-160 (Rys. 3) i kotwy chemicznej (dwuskładnikowa zaprawa żywiczna do mocowania mechanicznych części do podłoża mineralnego). Głębokość wpuszczenia śrub wynosi 138 mm. Do zabezpieczenia śrub konieczne jest użycie szerokiej podkładki 8,2 mm oraz samozabezpieczających nakrętek M8. Śruby i pozostałe materiały należy zakupić oddzielnie.

Montaż przeciwpłądu w basenach naziemnych

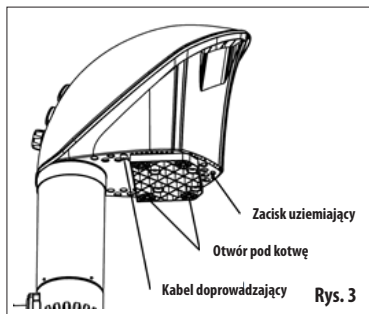
Do montażu służy teleskopowy stojak, który należy zakupić oddzielnie. Przed montażem stojaka należy usunąć płytę montażową z dolnej pokrywy przeciwpłądu. Następnie za pomocą tych samych śrub należy zamontować stojak.

Do montażu konieczne jest wybudowanie betonowego fundamentu, który musi się znajdować od 767 do 1390 mm poniżej krawędzi basenu. Wysokość stojaka zostanie wyregulowana tak, aby krawędź dolnej pokrywy przeciwpłądu leżała na górnej listwie basenu.

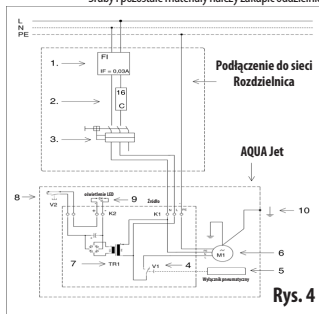
Przed montażem trzeba zdjąć górną obudowę przeciwpłądu.

Przeciwpłąd mocuje się za pomocą okrągłej rurki jak najbliższej ściany lub listwy krawędziowej basenu.

Do kotwienia stosuje się śruby kotwiące M8-160 (Rys. 3) i kotwę chemiczną (dwuskładnikowa zaprawa żywiczna do mocowania mechanicznych części do podłoża mineralnego). Głębokość wpuszczenia śrub wynosi 138 mm. Do zabezpieczenia śrub konieczne jest użycie szerokiej podkładki 8,2 mm oraz samozabezpieczających nakrętek M8. Śruby i pozostałe materiały należy zakupić oddzielnie.



Rys. 3



Rys. 4

Schemat podłączenia elektrycznego**AQUA Jet 50 (Rys. 4):**

1. Wyłącznik różnicowy IF = 30 mA
2. Bezpiecznik 16 A, charakterystyka C
3. Rozrusznik silnika 6-10 A
4. Pneumatyczny wyłącznik silnika V1
5. Pneumatyczne sterowanie wyłącznikiem
6. Silnik pompy M1
7. Transformator bezpieczeństwa z prostownikiem TR1 do oświetlenia LED D1
8. Wyłącznik światła V2
9. Oświetlenie LED D1
10. Zacisk uziemiający

Uwaga: pozycje 1, 2 i 3 należy zakupić oddzielnie.

Podłączenie przeciwpłądu do sieci

Przeciwpłąd można podłączyć do sieci elektrycznej dopiero po prawidłowym mechanicznym zakotwieniu korpusu. **Podłączenie do sieci elektr. (lub odłączenie) może zostać wykonane wyłącznie przez wykwalifikowanego pracownika zgodnie z obowiązującymi przepisami i normami, w szczególności z normą CSN 33-2000-7-702 (z kwalifikacją wg rozp. 50/1978 Sb. 56).**



Przeciwpłąd należy podłączyć do sieci elektrycznej za pomocą rozrusznika silnika, bezpiecznika oraz wyłącznika różnicowoprądowego (zob. schemat podłączenia Rys. 4). Brak tych elementów zabezpieczających może spowodować zagrożenie życia i ogólne niebezpieczeństwo. Muszą one zostać umieszczone poza ochronnym pasmem basenu (strefy 0, 1 i 2), zob. CSN 33 2000-7-702, czyli w odległości powyżej 3,5 m od ściany basenu, zob. Rys. 5.

Muszą być też umieszczone w zamykanej rozdzielni, zabezpieczonej przed dostępem niepowołanych osób.



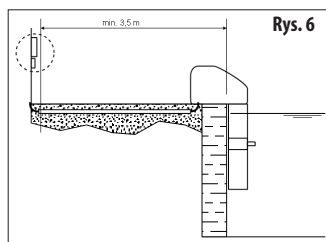
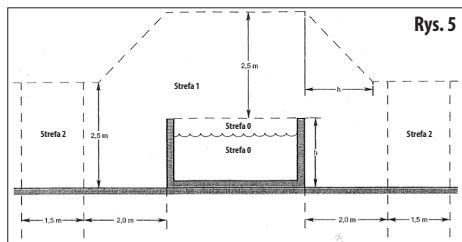
Kabel doprowadzający o minimalnej średnicy 1,5 mm² należy przeciągnąć przez rurkę izolacyjną w dolnej obudowie przeciwpłądu, zob. Rys. 3. W rozdzielni należy zabezpieczyć kabel przed wyrwaniem, przeciągając go przez rurkę izolacyjną rozdzielni. Na trasie do przeciwpłądu kabel powinien zostać poprowadzony w osłonie, zob. Rys. 6.



Przeciwpłąd musi zostać uziemiony za pomocą kabla uziemiającego 2,5 mm². Oczko uziemienia montuje się do zacisku uziemiającego, który znajduje się w dolnej części obudowy przeciwpłądu zob. Rys. 3. Przewód uziemienia musi zostać poprowadzony oddzielnie, w osłonie kablowej, razem z kablem doprowadzającym. Przewód uziemienia należy podłączyć do zacisku uziemiającego rozdzielni.



Przed podłączeniem urządzenia do sieci należy umieścić z powrotem na właściwym miejscu wszystkie obudowy przeciwprądu!



Po mechanicznym zakotwieniu, podłączeniu do sieci i ponownym zamontowaniu obudowy urządzenie jest gotowe do uruchomienia. Urządzenie jest uruchamiane i wyłączane za pomocą głównego wyłącznika zgodnie z Rys. 7.

W czasie ekstremalnych temperatur może nastąpić samoczynne wyłączenie przeciwprądu w przypadku długiej pracy (kilką godzin). Odpowiada za to bezpiecznik termiczny, który zapewnia ochronę silnika przed przegrzaniem. Po ochłodzeniu silnika można ponownie włączyć urządzenie.

Jeśli przeciwprąd nie jest użytkowany przez dłuższy czas, zaleca się odłączenie go z sieci za pomocą rozrusznika silnika.



UWAGA: W trakcie pracy przeciwprądu nie zakrywaj otworów wentylacyjnych w obudowie.



Ostrzeżenie: niektóre elementy przeciwprądu zostały wykonane ze stali. Mimo że większość elementów została wykonana ze stali nierdzewnej, w związku ze stosowaniem środków chemicznych (zwłaszcza środków z chlorem) należy przestrzegać poniższych zaleceń.

Podczas używania środków chemicznych należy przestrzegać prawidłowego dozowania, nie należy używać środków chemicznych w nadmiernych ilościach! W przypadku używania preparatów zawierających chlor zalecamy **regularny pomiar zawartości chloru w wodzie basenowej oraz kontrolę jego ilości. Kolejnym istotnym czynnikiem jest sprawdzanie pH wody basenowej.**

Niewłaściwe dbanie o wodę basenową i stosowanie nadmiernej ilości chemii basenowej może spowodować korozję metalowych elementów przeciwprądu, w tym również elementów wykonanych z materiałów nierdzewnych! Poniżej wskazane zostały najczęstsze przyczyny uszkodzeń metalowych części przeciwprądu:

- 1) Poziom chloru – metalowe części są odporne na działanie określonego stężenia chloru, jednak przy nadmiernym stężeniu może dojść do korozji nawet w przypadku materiałów nierdzewnych.
- 2) pH wody w basenie – prawidłowe pH 7,0–7,4. Wraz z każdą zmianą, przede wszystkim obniżeniem poziomu pH, wzrasta agresywność wody i korozyjność również w przypadku materiałów nierdzewnych.
- 3) Zawartość rozpuszczonej soli – maks. 0,5 %.

Podczas dozowania i rozpuszczania preparatów do oczyszczania wody nie należy dopuszczać do przedostania się chemii basenowej do przeciwprądu. NIE NALEŻY UŻYWAĆ przeciwprądu. Przed przeprowadzeniem oczyszczania wody basenowej przy zastosowaniu zwiększonej dawki chloru zaleca się zdemontowanie przeciwprądu z basenu i ponowny montaż dopiero w momencie zmniejszenia stężenia chloru do odpowiedniego poziomu.

Właściciel urządzenia jest odpowiedzialny za to, aby prace konserwacyjne, nadzór i montaż były wykonywane przez osoby, które szczegółowo zapoznają się z instrukcją obsługi urządzenia. Dbaj o czystość wody basenowej, aby zapobiec zatykaniu się obudowy ssania czy nawet korpusu pompy.

Regularnie sprawdzaj drożność otworów wentylacyjnych w obudowie przeciwprądu i usuwaj ewentualne zanieczyszczenia, które mogłyby uniemożliwić swobodny przepływ powietrza.

Jeśli urządzenie nie jest użytkowane lub jest pozostawione bez wody (np. zimą), konieczne jest wyłączenie rozrusznika silnika na obwodzie zasilania, aby nie dopuścić do przypadkowego uruchomienia.

Regularnie sprawdzaj kompletność i nienaruszony stan obudowy oraz elementów przeciwprądu.

W celu przechowywania w okresie zimowym zalecamy demontaż urządzenia i przechowywanie w suchym pomieszczeniu. Istnieje również możliwość pozostawienia zamontowanego urządzenia na zewnątrz pod warunkiem, że żadna jego część nie będzie zanurzona w wodzie.

Podczas ponownego napełnienia basenu lub ponownego montażu przeciwprądu należy sprawdzić drożność otworów wlotowych wody w korpusie pompy.

Zabrania się uruchamiania przeciwprądu, jeśli nie jest zanurzony w wodzie.

Wyrób basenowy przeciwprąd AQUA Jet 50 jest zgodny z wymogami następujących europejskich dyrektyw (rozporządzeń RM) w obowiązującym brzmieniu: 2006/95/WE (rozporządzenie RM nr 17/2003 Sb., ustanawiające techniczne wymagania dotyczące urządzeń elektrycznych niskiego napięcia) oraz 2004/108/WE (rozporządzenie RM nr 616/2006 Sb., ustanawiające wymagania techniczne dla wyrobów w odniesieniu do ich kompatybilności elektromagnetycznej).

Wyrób został przetestowany w Instytucie Badawczym Budowy Maszyn w Brnie (Strojirenský zkušební ústav Brno). Kraj pochodzenia: Republika Czeska

Устройство сконструировано и предназначено для эксплуатации в плавательных и частных бассейнах в садах. Оно не предназначено для открытых бассейнов общественного пользования и коммерческого использования. Необходимо руководствоваться правилами в инструкции по установке, монтажу и эксплуатации, так как к электрическим устройствам, используемым в бассейнах, и к их окружению выдвигаются особые требования.

Устройство необходимо установить в бассейн соответствующего размера, с расположением противотока надо проконсультироваться со специалистом по бассейнам.

2.0

ОПИСАНИЕ

Подвесной противоток AQUA JET 50 может эксплуатироваться во всех типах заглубленных бассейнов (например, пленочных, полипропиленовых, ламинатных и др.).

С помощью задней части корпуса вода через всасывающие отверстия всасывается в пространство турбины. Вода от турбины через камеру и смесительное сопло далее направляется обратно в бассейн. Включение и выключение насоса осуществляется с помощью пневматической кнопки, смонтированной в переднюю панель устройства. Поворотом регулятора воздуха возможно включение и выключение подсоса воздуха в сопле. Выключателем подсветки можно регулировать изменение цвета подводного освещения противотока.

3.0

ОБОЗНАЧЕНИЕ ПРАВИЛ В ИНСТРУКЦИИ



Правила техники безопасности, приведенные в данной инструкции, при которых несоблюдение может создать опасность здоровью людей, обозначены общими символами опасности



Правила техники безопасности, приведенные в данной инструкции, при несоблюдении которых может возникнуть опасность поражения людей электрическим током, обозначены общими символами для предупреждения поражения электрическим током.

4.0

ПРАВИЛА ТЕХНИКИ БЕЗОПАСНОСТИ

Без исключения необходимо соблюдать все правила по безопасности, перечисленные в данной инструкции!

Настоящая инструкция по эксплуатации содержит основные правила, которые необходимо соблюдать при установке, эксплуатации и обслуживании. Поэтому настоящая инструкция должна быть изучена пользователем и приглашенными специалистами, принимающими участие в профессиональном монтаже оборудования.

Несоблюдение правил техники безопасности может повлечь за собой не только угрозу здоровью людей, но также создать опасность для окружающей среды и самого оборудования.

Устройство не может эксплуатироваться без кожухов.

Противоток предназначен только для плавания и массажа. При его использовании для других целей или при переделке, на которую не было выдано разрешение производителем, утрачивают силу любые гарантийные претензии и ответственность изготовителя или поставщика за безопасность устройства.

Лица, осуществляющие профессиональный монтаж устройства, должны обладать соответствующей профессиональной квалификацией в соответствии с действующими электротехническими правилами (с квалификацией в соответствии с 56 постановления 50/1978 СБ.).

Лица, обеспечивающие техобслуживание и надзор, должны быть проинструктированы в объеме настоящей инструкции. За обслуживание, ремонт и соблюдение правил техники безопасности отвечает владелец устройства.

Устройство не предназначено для использования несовершеннолетними лицами или людьми со сниженными физическими, чувственными или душевными способностями, если у них не обеспечивается контроль и инструктаж ответственным лицом. Устройство не должны использовать лица, которые не ознакомлены с обслуживанием в 300 мм настоящей инструкции, лицам, находящимся под воздействием лекарственных препаратов, наркотических средств и со снижением способности быстрой реакции.

Высота уровня воды в бассейне не должна превышать 300 мм над осью сопла противотока (см. рис 1).

Температура воды в бассейне не должна превышать 35 °С.

5.0

ПРАВИЛА ТЕХНИКИ БЕЗОПАСНОСТИ ДЛЯ ТЕХОБСЛУЖИВАНИЯ И МОНТАЖА

Манипулируя с устройством, выполнять техническое обслуживание или монтажные работы возможно только при отключении устройство от электрической сети!

Безоговорочно должен соблюдаться порядок при выводе устройства из эксплуатации, описанный в данной инструкции.

Сразу после завершения работ все защитные и предохранительные кожухи должны быть снова установлены на корпус противотока, и зафиксированы от разъединения.

Перед повторным вводом устройства в эксплуатацию необходимо следить за соблюдением всех правил, приведенных в абзаце, касающегося ввода устройства в эксплуатацию.

Переделка или изменения в устройстве допускаются только после согласования с производителем. Для замены надо пользоваться только оригинальными запасными частями, авторизованными производителем. Использование несогласованных запасных частей приводит к утрате каких-либо претензий на возмещение ущерба.

Эксплуатационная безопасность оборудования гарантируется только при соблюдении всех правил, указанных в инструкции по эксплуатации.

Не эксплуатируйте некомплектное или поврежденное устройство. Если любая его часть отсутствует или если она повреждена, то устройство отключите от электрической сети, и сдайте его в ремонт.

На устройство или на его части запрещается наступать или садиться.

Освещение бассейна запрещается включать, если оно полностью не погружено в воду. В результате этого может произойти потеря яркости или его полного уничтожение.

6.0

ТРАНСПОРТИРОВКА И СКЛАДИРОВАНИЕ

Чтобы избежать повреждений и потерь отдельных компонентов, оригинальная упаковка может быть распакована непосредственно только перед монтажом.

Содержимое упаковки:

- Противоток бассейна AQUA Jet 50
- Монтажная панель для заглубленных бассейнов

Основные дополнительные аксессуары

Телескопическая нога/опора противотока для монтажа к частично закопанным или надземным бассейнам

Технические данные:

Напряжение: однофазное 230 В, 50 Гц
 Расход воды насосом: ~ 50 м³/час.
 Производительность: 1,1 кВт
 Регулировка: пневматическая
 Масса: прибл. 20 кг
 Степень защиты: IP X5

Размеры противотока с регулируемой ногой (рис. 2)

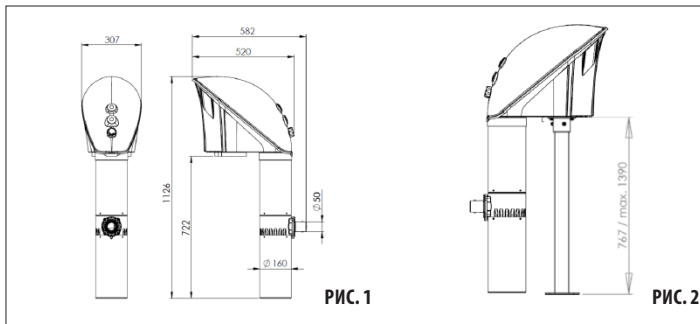


РИС. 1

РИС. 2

8.0

МОНТАЖ

Для правильного функционирования противотока необходимо, чтобы сопло противотока было погружено минимально на 300 мм ниже уровня воды в бассейне (см. рис.1). Оптимальный предел глубины погружения сопла ниже уровня водной поверхности между равен 200 – 300 мм. При установке противотока в бассейн не обязательно выпускать воздух из корпуса насоса. Поэтому противоток можно установить и в еще незаполненный водой бассейн.

Монтаж противотока в полностью заглубленном бассейне

Для монтажа используется опорная плита, которая является составной частью поставки и установлена на нижней крышке противотока.

Для монтажа необходимо у бассейна фундаментную сделать бетонную плиту (бетон В30), который должна быть на 20 мм ниже кромки бассейна. Противоток, таким образом, будет установлен на верхней рейке бассейна.

Перед монтажом необходимо снять верхнюю крышку противотока.

Противоток цилиндрическим тубусом устанавливается как можно ближе к стенке или рейке бассейна. Крепление противотока осуществляется с помощью анкерных болтов М8-160 (рисунок 3), с помощью химического анкера (двухкомпонентная смола для прикрепления механических частей к минеральному основанию). Глубина заглубления болтов равна 138 мм. Для фиксации необходимо использовать широкие шайбы 8,2 мм и самофиксирующие гайки М8. Болты и другие материалы не являются составной частью поставки.

Установка противотока для надземных бассейнов

Для монтажа используется телескопическая нога/опора, которая не входит в комплект поставки. Перед установкой ноги необходимо снять монтажную панель с нижней крышки противотока. Затем те же винты используются к установке ноги/опоры.

Для монтажа необходимо приготовить бетонную плиту, которая должна быть на 767-1390 мм ниже края бассейна. Высота ноги/опоры затем регулируется так чтобы край нижней крышки противотока был на верхней полосе бассейна.

Перед монтажом необходимо снять верхнюю крышку противотока.

Противоток цилиндрическим тубусом устанавливается как можно ближе к стенке или рейке бассейна. Крепление противотока осуществляется с помощью анкерных болтов М8-160 (рисунок 3), с помощью химического анкера (двухкомпонентная смола для прикрепления механических частей к минеральному основанию). Глубина заглубления болтов равна 138 мм. Для фиксации необходимо использовать широкие шайбы 8,2 мм и самофиксирующие гайки М8. Болты и другие материалы не являются составной частью поставки.

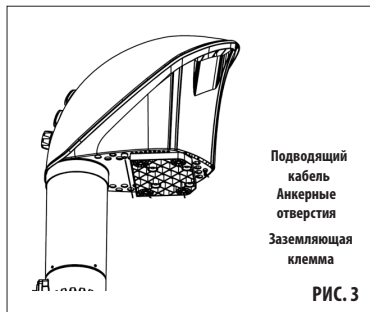


РИС. 3

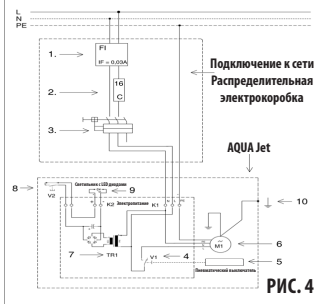


РИС. 4

Электрическая схема подключения**AQUA Jet 50 (рис.4):**

1. Предохранительный выключатель тока ИГ=30А
2. Защитный электрический автомат 16А, характеристика «С»
3. Механическое пусковое устройство от 6А до 10А
4. Пневматический выключатель двигателя V1
5. Пневматическая регулировка выключателем
6. Двигатель насоса M1
7. Защитный изолирующий трансформатор с выпрямителем TR1 для светодиодной подсветки D1
8. Световой выключатель V2
9. Светильник с LED диодами D1
10. Заземляющая клемма

Примечание: позиции 1,2 и 3 не являются составной частью поставки противотока.

Электрические схемы противотоков

Противотоки можно подключить к электрической сети только после соответствующего механического прикрепления корпуса противотока. Подключение к электросети (или же отключение) может выполнять только квалифицированный специалист в соответствии с действующими электротехническими правилами и стандартами, прежде всего, со стандартом ЧСН 33-2000-7-702 (с квалификацией в соответствии с §6 постановления 50/1978 (Б)).



Противотоки необходимо подключить к электросети с помощью механического пускового устройства, предохранителей и предохранительного выключателя тока (см. схему подключения, рис.4). Если не включить эти предохранительные компоненты, то может возникнуть угроза жизни и общему урону. Эти устройства должны размещаться за пределами защитной зоны бассейна (зоны 0, 1 и 2) - см. ЧСН 33 2000-7-702 - ширина этой зоны от стенки бассейна установлена на 3,5 м - см рис.5.

Механическое пусковое устройство, предохранитель и предохранительный выключатель тока должны быть размещены в закрываемом распределительном шкафу, который имеет защиту от проникновения посторонних лиц.



Подводящий кабель с минимальным сечением 1,5 мм² необходимо протянуть через кабельный проходной изолятор в нижнем корпусе противотока - см. рис.3. В коридоре он должен быть зафиксирован от выдергивания путем его протягивания через кабельный проходной изолятор распределительной коробки. По трассе к противотоку кабель должен прокладываться в кабельной защитной втулке - см. рис.6.



Противоток должен быть заземлен с помощью заземляющего кабеля 2,5 мм². Заземляющая петля прикрепляется к заземляющей клемме, которая расположена в нижней части кожуха противотока - см. рис.3. Заземляющий провод должен вестись самостоятельно в кабельной втулке вместе с подводящим кабелем. Заземляющий кабель надо присоединить к клемме заземления распределительной электрокоробки.



Перед подключением к электросети надо установить все кожухи на первоначальное место!

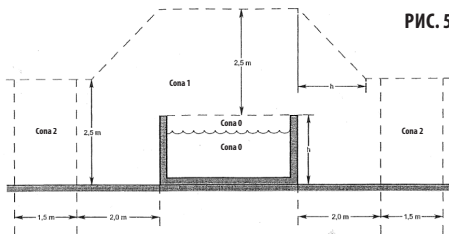


РИС. 5

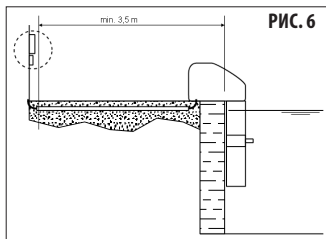


РИС. 6

После механического крепления, подключения к электросети и повторной установке кожухов считается, что устройство подготовлено к вводу в эксплуатацию.

Устройство включается и выключается с помощью главного выключателя согласно **рис.7**.

В случае экстремальных уличных температур может произойти в результате длительной эксплуатации (несколько часов) самостоятельное отключение протитокка - это вызывает тепловой предохранитель, который защищает электродвигатель от перегрева. После охлаждения электродвигателя устройство можно снова включить.

В случае если протитокк длительное время не использовался, то рекомендуется отключить протитокк от электросети с помощью механического пускового устройства.



РИС. 7



ВНИМАНИЕ: Во время эксплуатации протитокка не закрывайте вентиляционные отверстия в кожухе протитокка.



Внимание: Некоторые части протитокка сделаны из стали. Несмотря на то, что, прежде всего, речь идет о нержавеющей стали, но так как используются химические препараты (в частности, хлорные препараты) необходимо соблюдать нижеуказанные правила.

При использовании химических препаратов необходимо соблюдать их правильную дозировку, в частности, необходимо избегать их использования в чрезмерных количествах! При использовании хлорных препаратов мы рекомендуем **регулярно измерять содержание хлора в воде бассейна и контролировать его содержание. Следующим важным фактором является контроль pH воды в бассейне.**

Неправильный уход за водой в бассейне и использование чрезмерного количества химических препаратов может привести к коррозии металлических частей протитокка, а это также и нержавеющей! Ниже приведены наиболее частые причины, которые могут повредить металлические части протитокка:

- 1) Уровень хлора - металлические части устойчивы к определенной концентрации хлора, но когда концентрация хлора чрезмерная, то это может привести к коррозии также нержавеющей материалов.
- 2) pH воды в бассейне: правильное значение pH должно быть от 7,0 до 7,4. Любое изменение, прежде всего, снижение значения pH, приводит к агрессивности воды и возникновению коррозии также у нержавеющей материалов.
- 3) Содержание растворенных солей - макс. 0,5 %

При дозировке и растворении бассейновых препаратов в воде бассейна дозируемые химические препараты не должны попасть в протитокк. Мы рекомендуем не ПОЛЬЗОВАТЬСЯ протитокком.

Перед тем как приступить к выполнению шоковой обработки воды в бассейне мы рекомендуем демонтировать протитокк из бассейна и подождать, пока уровень хлора не снизится до нужного уровня.

Оператор должен обеспечить, чтобы всё техобслуживание, надзор и монтаж выполнялись лицами, которые тщательно изучили настоящую инструкцию по эксплуатации.

Следите за чистой воды в бассейне, чтобы не загрязнялся всасывающий кожух или даже корпус насоса.

Регулярно проверяйте проходимость вентиляционных отверстий в корпусе протитокка, и удалять любые загрязнения, которые препятствуют свободному прохождению воздуха.

Если устройством не пользуетесь или если его оставляете без воды (например, при подготовке к зиме), то пусковое устройство необходимо отключить в контуре питания, чтобы не произошло случайное включение.

Регулярно проверяйте целостность корпусов и других компонентов протитокка.

Для подготовки к зиме мы рекомендуем устройство демонтировать и хранить в сухом помещении. Устройство, установленное снаружи, однако возможно оставить без демонтажа при условии, что ни одна его часть не остается погруженной в воду.

При повторном заполнении бассейна или при установке протитокка надо проверить проходимость питательных отверстий на корпусе насоса.

Протитокк запрещается подключать к электрической сети без погружения в воду.

Изделие протитокк бассейна AQUA Jet 50 находится в соответствии с требованиями следующих европейских директив (постановлений правительства) в действующей редакции: 2006/95/EC (постановление правительства № 17/2003 Сб., устанавливающее технические требования к электрооборудованию низкого напряжения), 2004/108/EC (постановление правительства № 616/2006 Сб., устанавливающее технические требования к продукции с точки зрения их электромагнитной совместимости) и 2011/65/EC (постановление правительства № 481/2012 Сб. «Об ограничении использования определенных опасных веществ в электрических и электронных устройствах»).

Изделие было испытано в Машинностроительном испытательном институте в г.Брно. Страна происхождения: Чешская Республика.

Il dispositivo è pensato e progettato per le piscine private da nuoto e giardino. Non è inteso per l'uso pubblico e commerciale.

È necessario prestare attenzione alle informazioni per l'installazione, il montaggio e l'uso, poiché le pompe utilizzate nelle piscine devono avere requisiti speciali.

Il dispositivo va installato nelle piscine di dimensioni adeguate; per il corretto posizionamento del nuoto controcorrente, consultare uno specialista di piscine.

È necessario prestare attenzione alle informazioni per l'installazione, il montaggio e l'uso, poiché le pompe utilizzate nelle piscine devono avere requisiti speciali; le istruzioni devono essere sempre accessibili nei pressi del dispositivo.

2.0

DESCRIZIONE

Il nuoto controcorrente sospeso AQUA JET 50 può funzionare in tutti i tipi di piscine interrate (ad es. in lamiera, polipropilene, laminato, ecc.).

Attraverso la parte posteriore del corpo, l'acqua viene aspirata attraverso i fori apposti fino a raggiungere lo spazio della turbina. Dalla turbina, l'acqua è quindi spinta nuovamente nella piscina attraverso una camera e un ugello di miscelazione. L'accensione e lo spegnimento della pompa si eseguono con un pulsante pneumatico montato sul coperchio anteriore della macchina. Girando il regolatore dell'aria, è possibile accendere e spegnere l'aspirazione d'aria nell'ugello. Con l'interruttore dell'illuminazione si controlla la luce subacquea colorata regolabile del nuoto controcorrente.

3.0

SEGNALAZIONE DELLE ISTRUZIONI DI SICUREZZA NEL MANUALE



Le istruzioni di sicurezza contenute in questo manuale il cui mancato rispetto può mettere in pericolo la salute delle persone sono contrassegnate con i simboli generici di pericolo



Le istruzioni di sicurezza contenute in questo manuale il cui mancato rispetto può mettere in pericolo la salute delle persone per le scosse elettriche sono contrassegnate con i simboli generici di pericolo da scosse elettriche

4.0

ISTRUZIONI DI SICUREZZA

È necessario rispettare senza eccezioni tutte le istruzioni di sicurezza riportate in questo manuale.

Il presente manuale contiene istruzioni fondamentali che devono essere osservate durante l'installazione, il funzionamento e la manutenzione. Pertanto, questo manuale deve essere studiato dall'utilizzatore e dagli esperti che partecipano all'installazione del dispositivo.

Il mancato rispetto delle istruzioni di sicurezza può causare non solo una minaccia per la salute delle persone, ma anche una minaccia per l'ambiente e il dispositivo stesso.

Il dispositivo non deve essere usato senza le coperture.

Il nuoto controcorrente è destinato solo per il nuoto e i massaggi. Se si utilizza per altri scopi o in caso di modifica non consentita dal produttore decadono tutti i diritti di garanzia.

Le persone destinate all'installazione professionale del dispositivo devono soddisfare le pertinenti qualifiche professionali.

Le persone destinate alle operazioni, alla manutenzione e alla supervisione devono conoscere tali parti del presente manuale. Il proprietario del dispositivo è responsabile per le operazioni, la manutenzione del dispositivo e il rispetto delle istruzioni di sicurezza.

Il dispositivo non è destinato all'uso da parte dei minori o da persone con ridotte capacità fisiche, sensoriali o mentali, a meno che non siano sorvegliate e istruite dalla persona responsabile. Il dispositivo non deve essere utilizzato da persone che non hanno familiarità con l'uso del dispositivo come riportato nel presente manuale, da persone sotto l'influenza di droghe o sostanze stupefacenti o con ridotta capacità di reazione immediata.

Il livello dell'acqua nella piscina non deve superare i 300 mm sopra l'asse dell'ugello del nuoto controcorrente (vedere fig. 1)

La temperatura dell'acqua in piscina non deve superare i 35 °C

5.0

ISTRUZIONI DI SICUREZZA PER L'INSTALLAZIONE E LA MANUTENZIONE

Il dispositivo si può maneggiare, mantenere o montare solo se si collega la macchina dalla rete elettrica.

Vanno rispettate incondizionatamente le procedure per la messa fuori servizio della macchina descritte nel presente manuale.

Immediatamente dopo il completamento dei lavori, tutte le coperture di sicurezza e di protezione vanno rimontate sul corpo del nuoto controcorrente e bloccate per evitare la separazione.

Prima di riavviare la macchina, è necessario osservare tutte le istruzioni riportate nella sezione per la messa in servizio.

L'alterazione o la modifica del dispositivo è ammessa solo previo accordo con il produttore. Per la sostituzione si possono utilizzare esclusivamente pezzi di ricambio originali autorizzati dal produttore. L'uso di pezzi di ricambio non approvati porta alla perdita di qualsiasi diritto al risarcimento.

La sicurezza di funzionamento della macchina è garantita solo se si rispettano tutte le condizioni elencate nelle istruzioni per l'uso.

Non utilizzare il dispositivo se incompleto o danneggiato. Se una parte è mancante o danneggiata, scollegare il dispositivo dalla rete elettrica e farlo riparare.

Non è consentito salire o sedersi sul dispositivo o una sua parte.

La luce della piscina non va accesa se non è tutta immersa nell'acqua. In caso contrario si potrebbe perdere l'intensità della luce o si potrebbe distruggere.

6.0

TRASPORTO E STOCCAGGIO

Per prevenire il danneggiamento e la perdita di singoli componenti, l'imballaggio originale può essere rimosso poco prima dell'installazione.

Contenuto dell'imballaggio:

- Nuoto controcorrente per piscine AQUA Jet 50
- Piastra di montaggio su piscine interrate

Accessori opzionali di base

Piede di regolazione telescopico del nuoto controcorrente per il montaggio su piscine seminterrate o fuori terra

Dati tecnici :

Tensione: monofase 230 V, 50 Hz
 Portata della pompa: ~ 50 m³/h
 Potenza: 1,1 kW
 Comando: pneumatico
 Peso: circa 20 kg
 Grado di protezione: IP 55

Dimensioni del nuoto controcorrente con
 piede di regolazione (Fig.2)

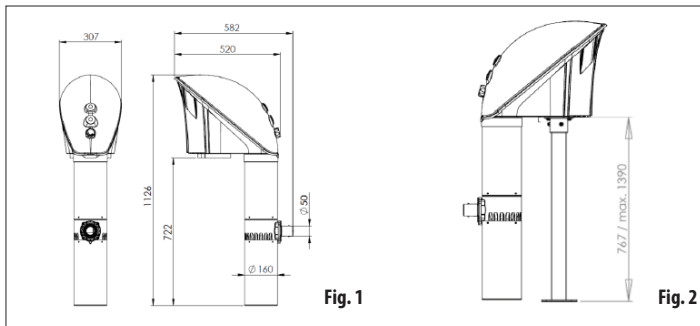


Fig. 1

Fig. 2

8.0 MONTAGGIO

Per il corretto funzionamento del nuoto controcorrente è necessario che l'ugello sia immerso al massimo a 300 mm sotto il livello dell'acqua della piscina (vedere fig. 1). La gamma ottimale di profondità di immersione dell'ugello sotto il livello dell'acqua è compresa tra 200 e 300 mm. Durante l'installazione del nuoto controcorrente in piscina non è necessario scaricare l'aria dal corpo della pompa. Pertanto, è possibile installare un nuoto controcorrente anche in una piscina non ancora riempita.

Montaggio del nuoto controcorrente nelle piscine interrate

Per il montaggio si utilizza la piastra di base in dotazione ed è montata sul tappo inferiore del nuoto controcorrente.

Per l'installazione è necessario costruire accanto alla piscina una lastra di base di calcestruzzo (calcestruzzo B30), che deve essere 20 mm sotto il bordo della piscina. Il nuoto controcorrente deve essere installato sul listello superiore della piscina.

Prima dell'installazione è necessario rimuovere il coperchio superiore del nuoto controcorrente.

Il nuoto controcorrente si munisce di tubo cilindrico più vicino possibile alla parete o al listello del bordo della piscina.

L'ancoraggio del nuoto controcorrente avviene tramite bulloni di ancoraggio M8-160 (fig. 3), utilizzando ancoranti chimici (malta di resina epossidica bicomponente per fissare le parti meccaniche al sottosuolo minerale). La profondità dell'incasso dei bulloni è 138 mm. Per il bloccaggio è necessario utilizzare rondelle larghe 8,2 mm e il dado autobloccante M8. I bulloni e gli altri materiali non sono inclusi.

Montaggio del nuoto controcorrente nelle piscine fuori terra

Per il montaggio si utilizza il piede telescopico che non è incluso nella fornitura. Prima di montare il piede è necessario rimuovere la piastra di montaggio dal tappo inferiore del nuoto controcorrente. Con gli stessi bulloni si monta il piede.

Per l'installazione è necessario costruire una lastra di base di calcestruzzo 767 - 1390 mm sotto il livello del bordo della piscina. Il piede viene quindi regolato in altezza in modo che il bordo del tappo inferiore del nuoto controcorrente si trovi sul listello superiore della piscina.

Prima dell'installazione è necessario rimuovere il coperchio superiore del nuoto controcorrente.

Il nuoto controcorrente si munisce di tubo cilindrico più vicino possibile alla parete o al listello del bordo della piscina.

L'ancoraggio avviene mediante tasselli M8-160 (fig. 3) utilizzando ancoranti chimici (malta di resina epossidica bicomponente per fissare le parti meccaniche al sottosuolo minerale). La profondità di incasso dei bulloni è di 138 mm. Per il bloccaggio è necessario utilizzare rondelle larghe 8,2 mm e il dado autobloccante M8. I bulloni e gli altri materiali non sono inclusi.

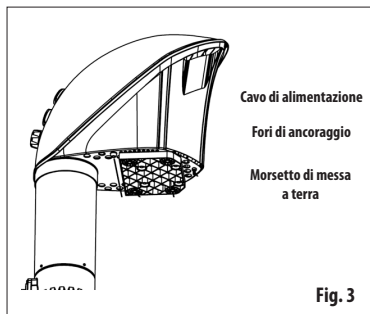


Fig. 3

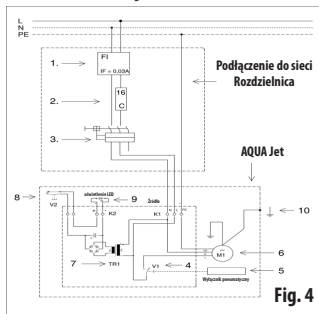


Fig. 4

Schema elettrico di connessione del dispositivo**AQUA Jet 50 (fig.4):**

- 1 Interruttore differenziale IF=30 mA
2. Interruttore di protezione 16 A, caratteristica C
3. Avviatore del motore 6 A - 10 A
- 114 4. Interruttore pneumatico del motore V1
5. Controllo pneumatico dell'interruttore
6. Motore della pompa M1
7. Trasformatore separatore di sicurezza con raddrizzatore TR1 per luce LED D1
8. Interruttore della luce V2
9. Luce LED D1
10. Morsetto di messa a terra

Nota: le voci 1, 2 e 3 non sono incluse nella fornitura del nuoto controcorrente

Connessione elettrica del nuoto controcorrente

Il nuoto controcorrente può essere collegato alla rete elettrica solo dopo il corretto ancoraggio meccanico del corpo del dispositivo. La connessione alla rete elettrica (e la disconnessione) deve essere eseguita solo da personale qualificato secondo le norme e le prescrizioni elettriche applicabili, in particolare la norma CSN 33-2000-7-702 (con qualifica secondo il decreto 50/1978 paragrafo 6).



È necessario collegare il nuoto controcorrente alla rete di distribuzione tramite avviatore del motore, fusibile e interruttore differenziale (vedere schema di connessione fig. 4). La mancata installazione di questi elementi di sicurezza può causare pericoli di decesso e generali. Il dispositivo deve essere posizionato al di fuori della zona di protezione della piscina (zona 0, 1 e 2), vedere norma CSN 33 2000-7-702, fissata a 3,5 m dalla parete della piscina, vedere fig. 5.

Inoltre, deve essere collocato in un armadio di distribuzione richiudibile e protetto dall'accesso di persone non autorizzate.



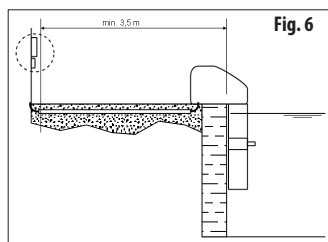
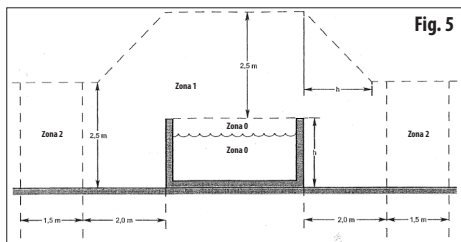
Il cavo di alimentazione con sezione minima di 1,5 mm² va fatto passare nel passacavo della copertura inferiore del nuoto controcorrente, vedere fig. 3. Nella scatola va fissato contro l'espulsione inserendolo nel passacavo della scatola di distribuzione. Nel percorso verso il nuoto controcorrente, il cavo va fatto passare in una protezione per cavi, vedere fig. 6.



Il nuoto controcorrente deve essere collegato a terra tramite un cavo di messa a terra di 2,5 mm². L'occhiello della messa a terra si monta sul morsetto di messa a terra posto nella parte inferiore della copertura del nuoto controcorrente, vedere fig. 3. Il conduttore di terra deve essere installato a parte nella protezione per cavi insieme al cavo di alimentazione. Il cavo di terra deve essere collegato al morsetto di messa a terra dell'armadio di distribuzione.



Prima di collegare alla rete è necessario rimettere a posto tutte le coperture del nuoto controcorrente.



Dopo l'ancoraggio meccanico, la connessione alla rete e il rimontaggio delle coperture, il dispositivo è pronto per la messa in servizio. Il dispositivo si accende e si spegne con l'interruttore principale, come mostrato in fig. 7.

In caso di temperature esterne estreme e di utilizzo a lungo termine (diverse ore), il nuoto controcorrente si spegne spontaneamente. Ciò è causato dal fusibile termico che protegge il motore dal surriscaldamento. Dopo che il motore si è raffreddato, è possibile attivare nuovamente il dispositivo.

In caso di mancato utilizzo a lungo termine del nuoto controcorrente, si consiglia di scollegarlo dalla rete tramite avviatore del motore.



Fig. 7



ATTENZIONE: Durante il funzionamento del nuoto controcorrente, non coprire i fori di ventilazione nella copertura del dispositivo.



Attenzione: alcune parti del nuoto controcorrente sono realizzate in acciaio. Nonostante si tratti soprattutto di acciaio inox, a causa dell'uso di prodotti chimici (in particolare di prodotti al cloro) è necessario prestare attenzione alle istruzioni riportate di seguito.

Quando si utilizzano prodotti chimici, è necessario prestare attenzione al dosaggio adeguato, in particolare va evitato l'uso in quantità eccessive. Se si utilizzano prodotti al cloro, si consiglia di **misurare regolarmente il contenuto di cloro nell'acqua della piscina e di controllarne la quantità. Un altro fattore importante è il controllo del pH dell'acqua della piscina.**

La cura impropria dell'acqua della piscina e l'uso di quantità eccessive di sostanze chimiche possono causare la corrosione delle parti metalliche del nuoto controcorrente, comprese quelle in acciaio inox. Di seguito sono elencate le cause più comuni che possono provocare danni alle parti metalliche del dispositivo:

- 1) Livello di cloro – le parti metalliche sono resistenti ad una certa concentrazione di cloro, tuttavia, quando la concentrazione di cloro è eccessiva, può verificarsi la corrosione anche dei materiali inossidabili.
- 2) pH dell'acqua nella piscina — pH corretto 7,0-7,4. Qualsiasi modifica, in particolare la riduzione del pH, provoca l'aggressività dell'acqua e la corrosione anche di materiali inossidabili.
- 3) Contenuto di sali disciolti – max. 0,5%

Durante il dosaggio e la dissoluzione di prodotti nell'acqua della piscina, le sostanze chimiche non devono penetrare nel nuoto controcorrente. Si consiglia di **NON UTILIZZARE il nuoto controcorrente. Prima di eseguire il trattamento shock dell'acqua della piscina, si consiglia di smontare il nuoto controcorrente e attendere fino a quando il livello di cloro scende al livello corretto.**

Il gestore deve assicurare che tutta la manutenzione, la sorveglianza e il montaggio siano effettuati da persone che hanno letto attentamente le istruzioni per l'uso.

Prestare attenzione alla pulizia dell'acqua della piscina, in modo che non si intasi il coperchio di aspirazione o il corpo della pompa.

Controllare regolarmente la pervietà dei fori di ventilazione nel coperchio del nuoto controcorrente e rimuovere eventuali impurità che potrebbero ostacolare il libero flusso dell'aria.

Se non si utilizza il dispositivo o si lascia senz'acqua (ad es. durante l'inverno) è necessario spegnere l'avviatore del motore del circuito di alimentazione, per evitare l'accensione accidentale.

Controllare regolarmente la completezza e l'integrità delle coperture e delle parti del nuoto controcorrente.

Per la conservazione durante l'inverno consigliamo lo smontaggio e lo stoccaggio in un ambiente asciutto. Tuttavia, è possibile lasciare il dispositivo montato all'aperto, a condizione che nessuna parte resti immersa nell'acqua.

Quando si riempie nuovamente la piscina o si installa il nuoto controcorrente, controllare la pervietà dei fori di riempimento sul corpo della pompa.

Il nuoto controcorrente non può essere attivato senza immersione in acqua.

Il nuoto controcorrente per piscine AQUA Jet 50 è conforme ai requisiti delle seguenti direttive europee (decreti del Governo) in vigore: 2006/95/CE (Decreto del Governo n. 17/2003 che stabilisce i requisiti tecnici delle apparecchiature elettriche a bassa tensione) e 2004/108/CE (Decreto del Governo n. 616/2006 che stabilisce i requisiti tecnici dei prodotti riguardo alla loro compatibilità elettromagnetica).

Il prodotto è stato testato presso l'Istituto di prove meccaniche di Brno. Paese d'origine: Repubblica ceca

A berendezést úszó- és kerti magánmedencékben történő üzemeltetéséhez tervezték. Nem alkalmas nyilvános úszómedencékhez és kereskedelmi használatra.

Ügyelni kell a telepítési, szerelési és üzemeltetési útmutatóban foglalt adatok betartására, mivel a medencékben használt szivattyúkra különleges követelmények kerültek meghatározásra.

A berendezést megfelelő méretű medencébe kell telepíteni, az ellenáram elhelyezését illetően pedig forduljon medence szakértőhöz.

Ügyelni kell a telepítési, szerelési és üzemeltetési útmutatóban foglalt utasítások betartására, mivel a medencékben használt szivattyúkra különleges követelmények kerültek meghatározásra, az útmutatónak pedig tartósan elérhetőnek kell lennie a berendezés közelében.

2.0

LEÍRÁS

Az AQUA JET 50 fűgesszett ellenáram a sülyesztett medencék valamennyi típusánál üzemeltethető (pl. fóliás, polipropilén, laminált stb. típusoknál).

A test hátsó része a szivónyílásokon keresztül beszívja a vizet a turbínatérbe. A turbínától a vizet ezután a kamra és a keverő fúvóka visszaszorítja a medencébe. A szivattyú bekapcsolása és kikapcsolása a gép elülső burkolatára szerelt pneumatikus nyomógombbal történik. A légszabályozó elfordításával lehetséges a légbevezetés be- vagy kikapcsolása a fúvókában. A világítás kapcsolójával vezérelhető az ellenáram változtatható, színes, víz alatti megvilágítása.

3.0

AZ UTASÍTÁSOK MEGJELŐLÉSE AZ ÚTMUTATÓBAN



A jelen útmutatóban foglalt biztonsági utasításokat, amelyek be nem tartása esetén személyek egészsége kerülhet veszélybe, általános veszélyjelző szimbólumokkal kerültek megjelölésre.



A jelen útmutatóban foglalt biztonsági utasításokat, amelyek be nem tartása esetén személyek áramütésének veszélye merülhet fel, általános áramütésveszélyjelző szimbólumokkal kerültek megjelölésre.

4.0

BIZTONSÁGI UTASÍTÁSOK

Fontos, hogy a jelen útmutatóban feltüntetett valamennyi biztonsági utasítást kivétel nélkül betartsák!

A jelen használati útmutató azon alapvető utasításokat tartalmazza, amelyeket be kell tartani a berendezés telepítése, üzemeltetése és karbantartása során. Ezért a jelen útmutatót át kell tanulmányoznia a felhasználóknak és a meghívott szakembereknek is, akik a berendezés szerelésében vesznek részt.

A biztonsági utasítások be nem tartása nemcsak a személyek egészségét, hanem a környezetet és magát a berendezést is veszélyeztetheti.

A berendezés nem üzemeltethető fedél nélkül.

Az ellenáram kizárólag úszás és masszázs céljára használatos. A más célokra történő használata során, vagy átépítéskor, amit a gyártó nem engedélyezett, megszűnik valamennyi garanciális igény.

A gép szakszerű szerelését végző személyeknek meg kell felelniük a vonatkozó szakmai képzésnek.

A készüléket kezelő, karbantartó és felügyelő személyeknek meg kell ismerkedniük a jelen használati útmutatóban foglalt utasításokkal. A berendezés kezeléséért, karbantartásáért, valamint a biztonsági utasítások betartásáért a berendezés tulajdonosa a felelős.

A berendezést nem használhatják kiskorú személyek, vagy csökkent fizikai, érzékszervi vagy szellemi képességekkel rendelkező személyek, ha nem biztosított a felelős személy általi felügyeletük és utasítások.

A berendezést nem használhatják az olyan személyek, akik nem ismerkedtek meg a jelen használati útmutatóban foglalt kezelési utasításokkal, a gyógyszerek vagy kábító hatású szerek hatása alatt állt személyek, valamint a csökkent gyors reakcióképességű személyek.

A víz szintjének a medencében nem szabad meghaladnia a 300 mm-t az ellenáram fúvókájának tengelye felett (lásd még az 1. ábrát).

A víz hőmérséklete a medencében nem haladhatja meg a 35 °C-ot

5.0

A KARBANTARTÁSRA ÉS SZERELÉSRE VONATKOZÓ BIZTONSÁGI UTASÍTÁSOK

A berendezéssel történő manipuláció, a karbantartás vagy szerelési munkálatok elvégzése kizárólag akkor megengedett, ha a gépet leválasztják az elektromos hálózatról!

Feltétlenül be kell tartani a jelen használati útmutatóban leírt, a gép leállítására vonatkozó összes utasítást.

Közvetlenül a munka befejezését követően valamennyi védő- és biztonsági borítást ismét vissza kell szerelni az ellenáram testére és biztosítani kell őket az elválasztás ellen.

A gép ismételt elindítása előtt figyelembe kell venni valamennyi utasítást, amely a berendezés üzembe helyezéséről szóló bekezdésben került felsorolásra.

A berendezés átépítése vagy módosítása kizárólag a gyártóval történő megállapodást követően megengedett. A szeréhez kizárólag eredeti pótalkatrészek használhatók, amelyeket a gyártó is engedélyezett.

A nem jóváhagyott pótalkatrészek használata mindennemű kártérítési igény elvesztéséhez vezet.

A gép üzembiztonsága kizárólag a használati útmutatóban feltüntetett minden feltétel betartása esetén garantált.

Ne üzemeltesse a hiányos vagy sérült berendezést. Amennyiben bármelyik része hiányzik vagy sérül, húzza ki a berendezést az elektromos hálózatról és javítsa meg.

A berendezésre, ill. egyik részére sem megengedett a rálépés vagy a ráülés.

A medence világításának bekapcsolása nem megengedett, ha nem merül teljesen a vízbe. Ezáltal sor kerülhet a fényerő csökkenésére vagy a teljes megsemmisülésére.

6.0

SZÁLLÍTÁS ÉS TÁROLÁS

Ahhoz, hogy megelőzhető legyen az egyes alkatrészek károsodása és elvesztése, az eredeti csomagolás csak közvetlenül a beszerelés előtt szedhető szét.

A csomagolás tartalma:

- Medence ellenáram AQUA Jet 50
- Szerelőlemez sülyesztett medencékhez

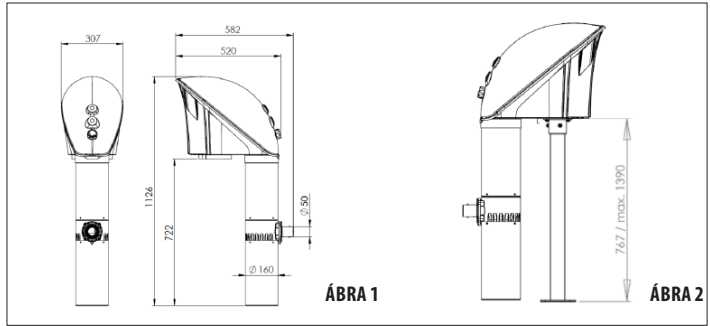
Alapvető választható tartozékok

Teleszkópos ellenáram beállító láb a részben sülyesztett vagy talajszint feletti medencékbe történő beszereléshez

Műszaki adatok:

Feszültség: egyfázisú 230 V, 50 Hz
 A szivattyú áramlási sebessége: ~ 50 m³/h
 Teljesítmény: 1,1 kW
 Vezérlés: pneumatikus
 Súly: kb. 20 kg
 Fedési fokozat: IP 55

Az ellenáram méretei, beállító lábakkal (Ábra 2)



ÁBRA 1

ÁBRA 2

8.0 SZERELÉS

Az ellenáram helyes működéséhez szükséges, hogy az ellenáram fúvókája legalább 300 mm-rel a medencében található víz szintje alá süllyedjen (lásd még az 1. ábrát). A fúvóka vízszint alá történő merülésének optimális mélység tartománya 200 és 300 mm között van. Az ellenáram medencébe történő telepítése során nem szükséges kiengedni a levegőt a szivattyútömbből. Ezért lehetséges az ellenáram felszerelése a még fel nem töltött medencébe is.

Az ellenáram beszerelése egy teljesen sülyesztett medencébe

A szereléshez egy alapelemet használnak, amely a kiszállítást részét képezi és az ellenáram alsó fedelére van szerelve.

A szereléshez ki kell építeni a medencénél egy alap betonlemez (B30-as betonból), amelynek 20 mm-rel a medence szélének szintje alatt kell lennie. Az ellenáram így a medence felső szegélyéig kerül elhelyezésre.

A szerelés előtt le kell venni az ellenáram felső borítását.

Az ellenáram elhelyezése egy hengeres cső segítségével történik a lehető legközelebb a falhoz vagy a medence szegélyéhez.

Az ellenáram rögzítése M8-160-as rögzítő csavarokkal történik (3. ábra), kémiai horgony segítségével (kétkomponensű gyanta habarcs a mechanikus részek ásványi aljzathoz történő rögzítéséhez). A csavarok beengedési mélysége 138 mm. A biztosításhoz széles, 8,2 mm-es alátéteket kell használni és önzáró M8-as anyákat. Sem a csavarok, sem az egyéb anyagok nem képezik a kiszállítást részét.

Az ellenáram beszerelése földfelszíni medencékéknél

A szereléshez teleszkópos láb használatos, amely nem képezi a kiszállítást részét. A láb felszerelése előtt le kell távolítani a szerelőelemet az ellenáram alsó fedeléről. Ugyanolyan csavarokkal kell később felszerelni a lábat is. A szereléshez ki kell építeni egy alap betonlemez, amelynek 767-1390 mm-rel a medence szélének szintje alatt kell lennie. A láb magasságállítását úgy kell végezni, hogy az ellenáram alsó fedelének éle a medence felső szegélyéig kerüljön.

A szerelés előtt le kell venni az ellenáram felső borítását.

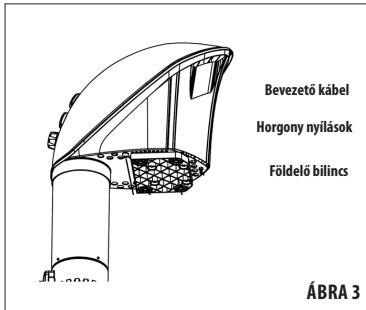
Az ellenáram elhelyezése egy hengeres cső segítségével történik a lehető legközelebb a falhoz vagy a medence szegélyéhez.

A rögzítés M8-160-as rögzítő csavarokkal történik (3. ábra), kémiai horgony segítségével (kétkomponensű gyanta habarcs a mechanikus részek ásványi aljzathoz történő rögzítéséhez).

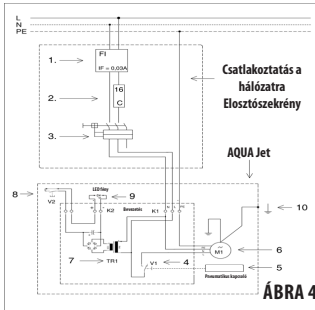
A csavarok beengedési mélysége 138 mm.

A biztosításhoz széles, 8,2 mm-es alátéteket kell használni és önzáró M8-as anyákat.

Sem a csavarok, sem az egyéb anyagok nem képezik a kiszállítást részét.



ÁBRA 3

**Az AQUA Jet 50 elektromos kapcsolási rajza (4. sz. ábra):**

1. Áramlávédő IF = 30 mA
2. Áramkör megszakító 16 A, jellemzés: C
3. Motorindító, 6A-10A
4. Pneumatikus motorkapcsoló, V1
5. A kapcsoló pneumatikus vezérlése
6. M1 Szivattyúmotor
7. Biztonsági elválasztó transzformátor, TR1 irányítóval a D1 LED fényhez
8. A fény kapcsolója V2
9. D1 LED fény
10. Földelő bilincs

Megjegyzés: az 1, 2 és 3-as tételek nem képezik az ellenáram kiszállításának részét.

Az ellenáram elektromos bekötése

Az ellenáram csak az ellenáram test megfelelő mechanikai rögzítését követően csatlakoztatható az elektromos hálózathoz. Az elektromos hálózatra történő csatlakoztatást (esetlegesen az arról történő leválasztást) kizárólag szakképzett személyzet végezheti, az érvényes elektrotechnikai előírásokkal és szabványokkal összhangban, különösen a CSN 33-2000-7-702 szabvánnyal (a Törvénygyűjtemény 30/1978. rendeletének 6. cikke szerinti képeztéssel).



Az ellenáramokat az elosztó hálózatra motorindító, biztosíték és áramlávédő segítségével kell csatlakoztatni (lásd még a bekötési rajzot a 4. ábrán). E biztonsági elemek besorolásának elmulasztása életveszélyt és általában kockázatot okozhat. Ezt a berendezést a medence védősávján kívül kell elhelyezni (a 0, 1. és 2. zónán kívül), lásd még a CSN 33 2000-7-702-es szabványt, amely a medence falától 3,5 méterre került meghatározásra - lásd még a 5. ábrát.

Ezenfelül lezárható elosztószekrényben kell elhelyezni, biztosítva az illetéktelen személyek hozzáférése elől.



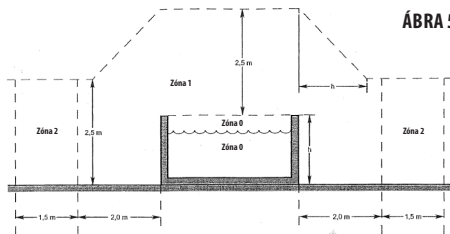
A minimum 1,5 mm² átmérőjű bevezető kábelt egy kábelcsatornában kell keresztülhúzni az ellenáram alsó borításában - lásd még a 3. ábrát. A dobozban ezután biztosítani kell a kihúzás ellen az elosztódoboz kábelátvezetésén keresztül. Az ellenáramhoz vezető útvonalon a kábelt egy kábelvédő csatornában kell vezetni - lásd még a 6. ábrát.



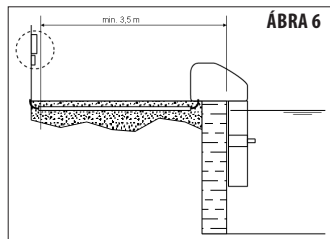
Az ellenáramot 2,5 mm²-es földelőkábelrel kell földelni. A földelő hurkot a földelő kábelhez kell szerelni, amely az ellenáram borításának alsó részében kapott helyet - lásd még a 3. ábrát. A földelő vezetékét külön kell vezetni, kábelvédő csatornában, a tápkábelrel együtt. A földelő kábelt csatlakoztatni kell az elosztószekrény földelő csatlakozójához.



A hálózatra való csatlakoztatás előtt az ellenáram minden borítását vissza kell helyezni az eredeti helyére!



ÁBRA 5



A mechanikus rögzítés, a hálózatra történő csatlakoztatás és a borítások ismételt felszerelését követően a berendezés készen áll az üzembe helyezésre.

A berendezés a főkapcsolóval kapcsolható be és ki, a 7. ábra szerint.

Extrém kültéri hőmérsékletek esetén sor kerülhet a hosszantartó üzemelést (néhány órát) követően az ellenáram spontán kikapcsolódására. Ezt a termikus biztosíték okozza, amely védi a motort a túlmelegedéstől. A motor lehűlése után a berendezés ismét bekapcsolható.

Az ellenáram hosszantartó használaton kívüli időszaka esetén javasoljuk, hogy az ellenáramot válassza le a hálózatról egy motorindítóval.



ÁBRA 7



FIGYELEM: Az ellenáram üzemelése során ne takarja le a szellőzőnyílásokat az ellenáram borításában.



Figyelmeztetés: Az ellenáram néhány része acélból készül. Annak ellenére, hogy elsősorban rozsdamentes acélról van szó, a vegyi készítmények használatával összefüggésben (különösen a klórtartalmú készítmények esetén) ügyelni kell néhány alábbiakban feltüntetett utasításra.

A vegyi készítmények használata esetén ügyelni kell azok helyes adagolására, különösen kerülni kell a túlzott mértékben történő használatukat! A klórtartalmú készítmények használata során javasoljuk, hogy **rendszeresen mérje a klórtartalmat a medence vizében és ellenőrizze a mennyiségét. Egy további fontos tényező a medence vize pH-értékének ellenőrzése.**

A medence vizének megfelelő kezelése és a vegyi anyagok túlzott mennyiségű alkalmazása az ellenáram fém részeinek korróziójához vezethet, még a rozsdamentes esetében is! Az alábbiakban tüntettük fel a leggyakoribb okokat, amelyek károsíthatják az ellenáram fém részeit:

- 1) Klórszint – a fém alkatrészek ellenállnak a klór bizonyos koncentrációjának, azonban, amikor a klór koncentrációja túlságosan nagy, sor kerülhet a korrózióra még a rozsdamentes anyagból készültéknél is.
- 2) A medence vizének pH-értéke – a helyes pH-érték: 7,0-7,4. Bármely változás, mindenképp a pH-érték csökkenése a víz agresszivitását okozza és a korrózió megjelenését még a rozsdamentes anyagoknál is.
- 3) Feloldott sótartalom – max.: 0,5%

A medencéhez használatos termékek adagolása és feloldása során a medence vizébe az adagolt vegyi anyag nem juthat be az ellenáramba. Javasoljuk, hogy NE HASZNÁLJA az ellenáramot.

A medence vizének sokterápiás kezelésének elvégzése előtt javasoljuk, hogy az ellenáramot szerelje le a medencéből és várja meg, amíg a klórszint vissza nem csökken a megfelelő szintre.

Az üzemeltetőnek gondoskodnia kell arról, hogy minden karbantartást, felügyeletet és szerelési munkát olyan személyek végezzenek, akik alaposan átanulmányozták a berendezés használati útmutatóját. Ügyeljen a medence vizének tisztaságára, hogy ne duguljon el a szívófedél vagy maga a szivattyútest.

Rendszeresen ellenőrizze a szellőzőnyílások átjárhatóságát az ellenáram borításában és távolítsa el az esetleges szennyeződéseket, amelyek megakadályoznák a levegő szabad áramlását.

Amennyiben nem használja a berendezést, vagy víz nélkül hagyja (pl. a téliesítésnél), ki kell kapcsolni a motoros indítót a tápfeszültség áramkörén, hogy ne kerülhessen sor a véletlenszerű bekapcsolódására. Rendszeresen ellenőrizze az ellenáram borításainak és alkatrészeinek teljességét és sértelességét.

A téliesítéshez javasoljuk, hogy a berendezést szerelje le és száraz környezetben tárolja. Kinn lehet hagyni azonban az összelállított berendezést a szabadban, azzal a feltétellel, hogy egyik része sem maradjon vízbe merülve.

A medence ismételt feltöltésekor vagy az ellenáram telepítésénél ellenőrizze az előrázott nyílások átjárhatóságát a szivattyútesten.

Az ellenáram nem kapcsolható be elektromosan vízbe merítés nélkül.

Az AQUA Jet 50 medence ellenáram nevű termék megfelel a következő európai irányelvek (kormányrendeletek) követelményeinek, az érvényes előírásoknak megfelelően: 2006/95/EK (a Törvénygyűjtemény 2003. évi 17. sz. kormányrendelete, a hatályos előírások szerint, amely meghatározza a kifestőszerszám elektromos berendezésekre vonatkozó műszaki követelményeket), valamint 2004/108/EK (a Tgy. 2006. évi 616. sz. kormányrendelete, amely meghatározza a termékek műszaki követelményeit azok elektromágneses kompatibilitása szempontjából).

A termék tesztelését a Bmo-i Műszaki Vizsgáló Intézetben végezték. Származási ország: Cseh Köztársaság

Uređaj je konstruiran i namijenjen za rad u bazenima za plivače, vrtnim i privatnim bazenima. Nije namijenjen za javna kupališta i komercijalnu uporabu.

Pridrđavajte se preporuka u uputama za namještanje, montažu i rukovanje: crpke koje se koriste u bazenima podliježu posebnim zahtjevima.

Uređaj morate namjestiti u bazen odgovarajuće veličine - glede načina namještanja se posavjetujte sa specijalistom za bazene.

Pridrđavajte se preporuka u uputama za namještanje, montažu i rukovanje pošto crpke koje se koriste u bazenima podliježu posebnim zahtjevima. Upute moraju biti smještene u blizini uređaja.

2.0

OPIS

Ovjena protustruja AQUA JET 50 može se koristiti u svim tipovima ugrađenih bazena (npr. folijskih, polipropilenskih, lamino itd.).

Kroz stražnji dio kućišta voda ulazi u unutrašnjost, do turbine. Od turbine voda prolazi kroz komoru i preko mlaznice za miješanje vraća se natrag u bazen. Uključivanje i isključivanje crpke se vrši pneumatskim gumbom koji se nalazi na prednjem poklopcu stroja. Okretanjem regulatora zraka možete uključiti ili isključiti strujanje zraka u mlaznicu. Prekidanjem osvjetljenja se gasi ili pali svijetlo koje mijenja boju strujanja vode.

3.0

OZNAKE PREPORUKA U UPUTAMA



Nepidrđavanje sigurnosnih preporuka navedenih u ovom priručniku može ugroziti zdravlje osoba. Označene su općim simbolima za upozorenje na opasnost.



Nepidrđavanje sigurnosnih preporuka navedenih u ovom priručniku može ugroziti zdravlje osoba zbog električnog udara. Označene su općim simbolima upozorenja na opasnost od električnog udara.

4.0

MJERE SIGURNOSTI

Uvijek poštuje sve sigurnosne preporuke navedene u ovim uputama za uporabu!

Ove upute za uporabu sadrže osnovne preporuke koje korisnik mora poštivati prilikom namještanja, rada i održavanja. Svaki korisnik, stručnjak ili osoba koja je uključena u instalaciju uređaja, mora pažljivo pročitati ove upute.

Nepoštivanje sigurnosnih uputa može prouzrokovati rizik za zdravlje osoba, za okoliš i za ovaj uređaj.

Uređaj se ne smije koristiti bez štitnika i poklopca.

Protustruja je namijenjena samo za plivanje i masiranje. Prilikom uporabe u druge svrhe ili rekonstrukcija koji nisu odobreni kod proizvođača, gubite svako pravo jamstva.

Osobe za stručnu montažu uređaja moraju biti adekvatno stručno osposobljene.

Osobe koje rukuju, održavaju i provjeravaju bazen moraju pročitati ove upute za uporabu. Vlasnik uređaja je odgovoran za rad i za njegovo održavanje te za pridržavanje sigurnosnih uputa.

Uređaj nije namijenjen maloljetnicima ili osobama sa smanjenim psihofizičkim, senzornim ili mentalnim sposobnostima osim ako ih nadzire i upućuje odgovorna osoba. Uređaj ne smiju koristiti osobe koje nisu upoznate s radom u okviru ovog priručnika, osobe pod utjecajem droga, narkotika i sa smanjenom sposobnošću brzog reagiranja.

Visina vode u bazenu ne smije preći preko 300 mm iznad sredine mlaznice protustruje (pogledajte sliku br. 1).

Temperatura vode u bazenu ne smije preći 35 °C.

5.0

SIGURNOSNE UPUTE ZA ODRŽAVANJE I MONTAŽU

Prije svakog rukovanja, održavanja, montažnih i drugih radova, uvijek isključite utikač iz utičnice elektro-napajanja!

Bezuvjetno poštuju sve preporuke navedene u ovim uputama glede isključivanja uređaja.

Odmah nakon završetka radova, svi zaštitni i sigurnosni pokrovi moraju se ponovno montirati na kućište protustruje i osigurati kako se ne bi odvojili.

Prije ponovnog stavljanja uređaja u rad, pridržavajte se svih uputa navedenih u poglavlju 'Stavljanje uređaja u rad'.

Rekonstrukcija ili izmjene uređaja moguće su samo na osnovu dogovora s proizvođačem. Dotrajale dijelove zamijenite originalnim ili dijelovima koje je odobrio proizvođač. Primjena ostalih (neoriginalnih) dijelova je zabranjena – proizvođač ne odgovara za nastale štete.

Sigurnost uređaja prilikom rada je moguća samo ako se korisnik pridržava svih uvjeta navedenih u uputama za uporabu.

Ne koristite nekompletan ili oštećen uređaj. Ako bilo koji dio nedostaje ili je oštećen, uređaj isključite iz električne mreže i odnesite ga na popravku.

Na uređaj niti na njegove dijelove nemojte stajati niti sjediti.

Ne uključujte bazensko svijetlo ako nije u potpunosti uredjeno u vodu. Time može doći do kvara ili uništenja svijetla.

6.0

PRIJEVOZ I SKLADIŠTENJE

Kako bi se spriječila oštećenja i gubici pojedinih dijelova, originalna ambalaža mora se raspakirati neposredno prije montaže.

Sadržaj pakiranja:

- Bazenska protustruja AQUA Jet 50
- Montažna ploča za ugrađene bazene

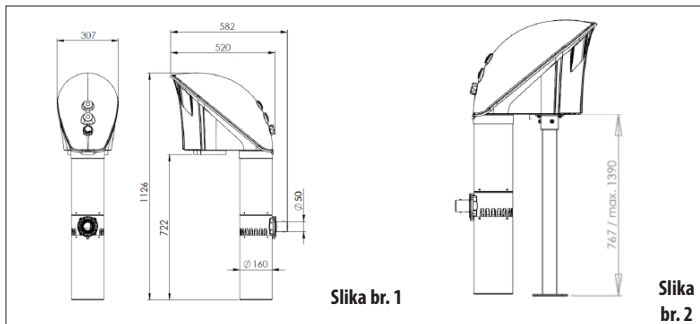
Osnovna opcionalna oprema

Teleskopska podesiva nogara protustruje za montažu u djelomično ugrađene ili stojeće bazene.

Tehnički podaci :

Napon: Jednofazni 230 V, 50 Hz
 Protok crpke: ~ 50 m³/h
 Snaga: 1,1 kW
 Upravljanje: pneumatske
 Težina: cca. 20kg
 Stupanj zaštite : IP 55

Dimenzije protustruje i podesiva nogara (Slika br. 2)



Slika br. 1

Slika br. 2

8.0 MONTAŽA

Za pravilan rad protustruje neophodno je mlaznicu uroniti (u vodu), maksimalno 300 mm pod vodu u bazenu (pogledajte **sliku br.1**). Optimalan raspon dubine potapanja mlaznice pod vodom je od 200 – 300 mm. Prilikom namještanja protustruje bazena nije potrebno ispuštati zrak iz kućišta crpke. Zato je moguće namjestiti protustruju i u praznom bazenu.

Montaža protustruje u savim ugrađen bazen

Za montažu se koristi temeljna ploča koja je sastavni dio isporuke i montira se na donji poklopac protustruje. Neophodno je da se prilikom montaže betonira betonska ploča (beton B30) koja mora biti 20 mm ispod nivoa ruba bazena. Protustruja se stavlja na gornju letvu bazena.

Protustruja se namješta kroz valjkasti tubus što bliže zidu ili na rubnu letvu bazena.

Protustruja se mora usidriti vijcima M8-160 (**slika 3**), pomoću kemijskog sidra (2-komponentni malter na bazi smole za učvršćivanje mehaničkih dijelova na mineralni pod). Dubina montaže vijaka je 138 mm. Za pravilno osiguranje primijenite široke podloške 8,2 mm i sigurnosne matice M8. Vijci kao ni ostali materijal nisu sastavni dio isporuke.

Montaža protustruje za vanjske bazene

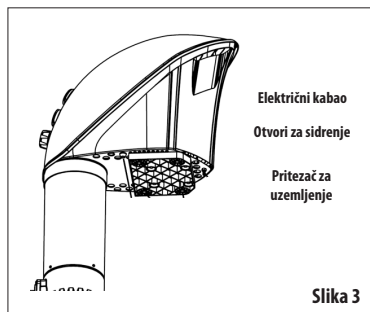
Za montažu se koristi teleskopska nogara koja nije sastavni dio isporuke. Prije montaže nogare neophodno je ukloniti montažnu ploču iz donjeg poklopca protustruje. S istim vijcima se mora nakon toga montirati nogara

Za montažu se mora izgraditi osnovna betonska ploča koja je 767 od 1390 mm ispod razine ruba bazena. Nogara se onda visinski podesava tako kako bi se rub donjeg poklopca protustruje nalazio na gornjoj letvi bazena. Prije montaže neophodno je skinuti gornji poklopac protustruje.

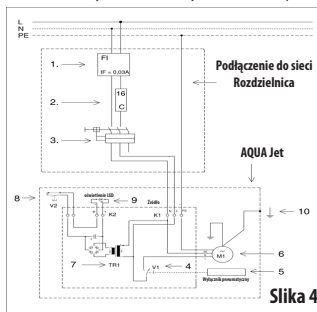
Protustruja se namješta kroz valjkasti tubus što bliže zidu ili na rubnu letvu bazena.

Sidra se moraju fiksirati vijcima M8-160 (**slika 3**) pomoću kemijskog sidra (2-komponentni malter na bazi smole za učvršćivanje mehaničkih dijelova na mineralnu podlogu). Dubina ugradnje vijaka je 138 mm. Za pravilno osiguranje primijenite široke podloške 8,2 mm i sigurnosne matice M8.

Vijci kao ni ostali materijal nisu sastavni dio isporuke.



Slika 3



Slika 4

Električna shema priključenja**AQUA Jet 50 (slika br. 4):**

1. Zaštita od prekostruje If=30mA
2. Osigurač 16A, karakteristika C
3. Pokretač motora 6A do 10A
4. Pneumatski prekidač motora V1
5. Pneumatsko upravljanje prekidača
6. Motor crpke M1
7. Sigurnosni transformator za dijeljenje s usmjerivačem TR1 za LED svijetlo D1
8. Prekidač svjetla V2
9. LED svijetlo D1
10. Prizezač za uzemljenje

Napomena: Pozicije 1, 2 i 3 nisu u sklopu isporuke protustruje

Električno priključenje protustruje

Protustruja se može priključiti na električnu mrežu nakon pravilnog mehaničkog usidrenja kućišta protustruje. Način priključenja na el. mrežu (odnosno isključenja) može vršiti samo kvalificirani stručnjak sukladno važećim elektrotehničkim propisima i standardima, prije svega sukladno normi ČSN 33-2000-7-702 (i kvalifikacijom prema uredbi br. 50/1978 Zbirke čeških zakona. §6).



Protustruju montirajte na električnu mrežu zajedno s pokretačem motora, osiguračem i prekostrujnom zaštitom (pogledajte shemu priključenja slika 4). Nekorištenje ovih sigurnosnih elemenata može uzrokovati ozljede opasne po život ili nastanak štete. Ovaj uređaj se mora nalaziti van zaštitnog područja bazena (zone 0, 1 i 2), pogledajte ČSN 33 2000-7-702, a koje je određeno na 3,5 m od stjenke bazena (pogledajte sliku 5).

Osim toga, mora se nalaziti u ormariću koji se može zatvoriti i time osigurati od nepoželjnog ulazanja stranih osoba.



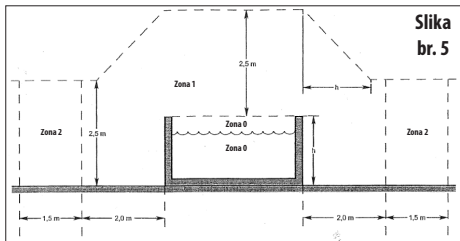
Električni kabel minimalnog presjeka 1,5mm² neophodno je provući kroz kabelski prolaz u donjem dijelu pokrova protustruje, pogledajte sliku 3. U kutiji ga morate osigurati protiv izvlačenja – provucite prolaz kabela u razvodnoj kutiji. Na trasi prema protustruji, kabel se mora namjestiti u kablovsku zaštitu, pogledajte sliku - 6.



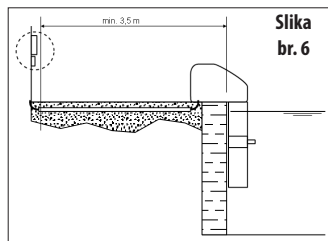
Protustruja mora biti uzemljena kablom za uzemljenje 2,5 mm². Zamu za uzemljenje montirajte na stezaljku koja se nalazi u donjem dijelu štitnika protustruje – pogledajte sliku. 3. Kabel za uzemljenje mora biti instaliran samostalno u štitniku kabela i to zajedno s električnim kablom. Kabel za uzemljenje priključite na stezaljku uzemljenja razvodnog ormara.



Prije priključenja na mrežu neophodno je sve štitnike protustruje vratiti na svoje mjesto!



Slika
br. 5



Slika
br. 6

Nakon mehaničkog usidrenja, priključenja na mrežu i ponovne montaže štitnika, uređaj je pripremljen za puštanje u rad. Uređaj se pokreće i gasi glavnim prekidačem prema **slici br.7**.

Prilikom ekstremnih vanjskih temperatura, može doći do dugoročnog rada (više sati) i automatskog gašenja protustruje. To uzrokuje toplinski osigurač koji štiti motor od pregrijavanja. Nakon što se ohladi, motor možete ponovo upaliti. Ako uređaj ne koristite duže vrijeme, preporučamo da pokretač motora isključite iz elektro-napajanja.



Slika br. 7



PAŽNJA: Dok protustruja radi, ne pokrivajte otvore u kućištu protustruje.



Upozorenje: Određeni dijelovi protustruje proizvedeni su od čelika. Iako se radi, prije svega, o nehrđajućem čeliku, neophodno je prilikom korištenja kemijskih sredstava (prije svega na bazi klora) pažljivo se pridržavati navedenih preporuka u daljem tekstu.

Prilikom uporabe kemijskih sredstava, neophodno je pravilno doziranje, a prije svega, i korištenje u ispravnoj količini. Prilikom korištenja sredstava na bazi klora, preporučamo redovito mjerenje sadržaja klora u vodi kao i količinu istog. Sljedeći važan faktor je kontrola pH vrijednosti u bazenu.

Nepravilna njega bazenske vode i primjena prekomjerne količine sredstava može uzrokovati koroziju metalnih dijelova, čak i onih od nehrđajućeg čelika! Dolje navodimo najčešće uzroke koji mogu dovesti do oštećenja metalnih dijelova protustruje:

- 1) Visina koncentracije klora – metalni dijelovi su otporni na određenu koncentraciju klora, međutim, ako je koncentracija previsoka, može doći do korozije i materijala koji je od nehrđajućeg čelika.
- 2) pH vrijednost vode u bazenu – pravilna vrijednost je 7,0 – 7,4. Svako variranje van granica, a pogotovo niža pH vrijednost, uzrokuje mijenjanje vode i nastanak korozije čak i kod nehrđajućeg čelika.
- 3) Sadržaj rastopljene soli – maks. 0,5 %

Prilikom doziranja i topljenja bazenskih sredstava u vodu, kemija ne smije prodirjeti u protustruju. Preporučamo da NE KORISTITE protustruju.

Prije hiperkloriranja tj. „klornog šoka“ u bazenu, preporučamo da uređaj protustruje demontirate i sačekate dok nivo klora ne padne na pravilan nivo.

Korisnik odgovara za to da svako održavanje, nadzor i ugradnju moraju obavljati osobe koje su pažljivo pročitale ove upute za uporabu.

Pazite na čistoću bazenske vode kako biste spriječili oštećenja na usisavanju ili čak i na kućištu crpke.

Redovito provjeravajte propusnost otvora za provjetravanje u kućištu protustruje i uklonite sve nečistoće kako biste spriječili slobodan protok zraka.

Ako uređaj ne koristite ili ako isti ne sadrži vodu (npr. prilikom zimskog konzerviranja) neophodno je ugasiti pokretač motora (prekinuti struju) kako ne bi došlo do slučajnog uključjenja.

Redovito provjeravajte kompletnost i neostatečnost kućišta i sastavnih dijelova protustruje.

Za zimsko skladištenje preporučamo da uređaj demontirate i uskladištite u suhoj sredini. Međutim, možete ostaviti uređaj montiran na otvorenom ali pod uvjetom da nijedan dio uređaja nije uronjen u vodu.

Prilikom ponovnog punjenja bazena vodom ili namještanja protustruje, provjerite propusnost otvora za vodu na kućištu crpke.

Protustruja ne smije biti uključena ako nije uronjena u vodu.

Proizvod „Bazenska protustruja AQUA Jet 50“ podudara se sa zahtjevima sljedećih europskih smjernica (direktiva vlade) u važećoj verziji: 2006/95/ES (Uredba vlade br. 17/2003 iz Zbirke kojom se određuju tehnički zahtjevi za niskonaponsku električnu opremu) i 2004/108/ES (Uredba vlade br. 616/2006 iz Zbirke kojom se određuju tehnički zahtjevi za proizvode u smislu njihove elektromagnetske kompatibilnosti). Proizvod je bio testiran u Institutu za ispitivanje inženjerstva u Brnu, Zemlja podrijetla: Češka republika

Съоръжението е конструирано и предназначено за работа в плавни и частни градински басейни. Не е предназначено за обществени места за къпане и търговска употреба.

Трябва да се следи за данните в указаниято за инсталиране, монтаж и обслужване, тъй като има специални изисквания към помпите, използвани в басейните.

Съоръжението трябва да се инсталира в басейн с подходяща големина, посъветвайте се за разполагането на насрещното течение със специалист по басейни.

Трябва да се ръководите от данните в указаниято за инсталиране, монтаж и обслужване, тъй като има специални изисквания към помпите, използвани в басейните, указаниято трябва винаги да бъде на разположение при съоръжението.

2.0

ОПИСАНИЕ

Окаченото насрещно течение AQUA JET 50 може да работи във всички видове изкопани в земята басейни (напр. с фолио, полипропилен, ламинат и др.).

От задната част на тялото, през всмукателните отвори, се всмуква вода до пространството на турбината. От турбината, през камерата и смесителната дюза, водата се избутва обратно в басейна.

Включването и изключването на помпата се извършва чрез пневматичен бутон, монтиран върху предния капак на машината. Чрез въртене на регулатора може да се включва и изключва засмукването на въздух в дюзата. Чрез ключа за осветлението се управлява променящото се цветно осветление на насрещното течение.

3.0

ОБОЗНАЧЕНИЯ НА ИНСТРУКЦИТЕ В УКАЗАНИЕТО



Инструкциите за безопасност, посочени в настоящото указание, чието неспазване може да доведе до опасност за здравето на хората, са обозначени с общоприетите символи за опасност



Инструкциите за безопасност, посочени в настоящото указание, чието неспазване може да доведе до опасност за хората от токов удар, са обозначени с общоприетите символи за предупреждение при опасност от електрически ток

4.0

ИНСТРУКЦИИ ЗА БЕЗОПАСНОСТ

Трябва да се спазват всички инструкции за безопасност, посочени в настоящото указание, без изключение!

Това указание за обслужване съдържа основни инструкции, които трябва да бъдат спазвани при монтажа, работата и поддръжката. Ето защо, в настоящото указание трябва да бъдат запознати, както потребителите, така и специалистите, които участват в специализирания монтаж на съоръжението.

Неспазването на инструкциите за безопасност може да доведе до застрашаване не само на здравето на хората, но и до застрашаване на околната среда и на самото съоръжение.

Съоръжението не трябва да бъде използвано без покрития.

Насрещното течение е предназначено единствено за плуване и масаж. При използването му за други цели или при преустройство, което не е позволено от производителя, отпада всички гаранционни права.

Лицата, извършващи специализирания монтаж на съоръжението, трябва да имат съответната специализирана квалификация.

Лицата, извършващо обслужване, поддръжка и надзор, трябва да бъдат инструктирани в обхвата на настоящото указание за ползване. Отговорност за обслужването, поддръжката и спазването на инструкциите за безопасност, носи собственикът на съоръжението.

Съоръжението не е предназначено за употреба от непълнолетни лица, както и от лица с намалени физически, сетивни или психически възможности, ако не им е осигурен надзор и инструктаж от отговорно лице. Съоръжението не трябва да бъде използвано от лица, които не са запознати с обслужването му, в обхвата на настоящото указание, от лица под влияние на лекарства, пристрастяващи средства или с понижена способност за бърза реакция.

Височината на нивото в басейна не трябва да надхвърля 300 мм над оста на дюзата на насрещното течение (виж. фиг.1)

Температурата в басейна не трябва да превишава 35 °C

5.0

ИНСТРУКЦИИ ЗА БЕЗОПАСНОСТ ЗА ПОДДРЪЖКА И МОНТАЖ

Работата със съоръжението, извършването на поддръжка или на монтажни дейности, е възможно единствено след изключването му от електрическата мрежа!

Процедурите за спиране на работата на машината, описани в настоящото указание, трябва да се спазват безупречно.

Непоредено след приключване на работата, всички предпазни и защитни покрития трябва да бъдат обратно монтирани върху тялото на съоръжението за насрещно течение и трябва да бъдат осигурени срещу отделяне.

Преди следващото пускане а машината е необходимо да се обърне внимание на всички инструкции, посочени в частта за въвеждането на съоръжението в експлоатация.

Преустройство или промени по съоръжението са допустими единствено след договаряне с производителя. За подмяна трябва да се използват единствено оригинални резервни части от оторизиран производител. Използването на резервни части, които не са одобрени, води до загуба на каквото и да е право на обезщетение за щета.

Експлоатационната безопасност на машината е гарантирана единствено при спазване на всички условия, посочени в указаниято за ползване.

Не използвайте съоръжения, които не са окомплектовани или повредени. Ако която и да е част липсва или е повредена, изключете съоръжението от електрическата мрежа и го занесете за ремонт.

Забранено е да се стъпва или сяда на съоръжението.

Забранено е включването на осветлението на басейна, ако не е изцяло потопено във водата. По този начин може да се стигне до загуба на интензитета му или до пълното му унищожаване.

6.0

ТРАНСПОРТИРАНЕ И СЪХРАНЕНИЕ

За да бъдат предотвратени повреди и загуба на части, оригиналната опаковка трябва да бъде разпакована непосредствено преди монтажа.

Съдържание на опаковката:

- Насрещно течение за басейн AQUA Jet 50
- Монтажна плоча за вкопани басейни

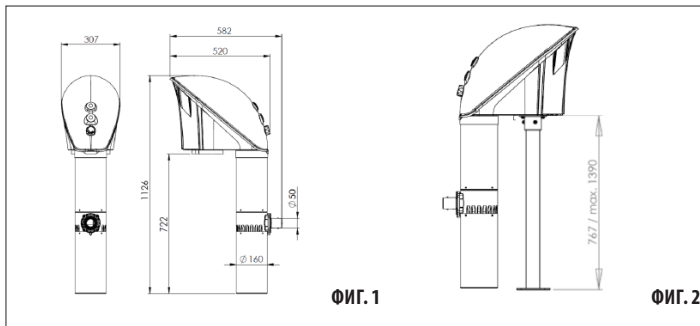
Основни параметри на насрещното течение

AQUA Jet 50

Технически данни:

Напрежение: монофазно 230 V, 50 Hz
Дебит на помпата: ~ 50 м³/ч
Мощност: 1,1 kW
Управление: пневматично
Тегло: около 20 kg
Степен на покритие: IP 55

Размери на насрещното течение със застопоряващ крак (Фиг. 2)



ФИГ. 1

ФИГ. 2

8.0

МОНТАЖ

За правилното функциониране на насрещното течение е необходимо дюзата на насрещното течение да бъде потопена най-много на 300 мм под нивото на водата в басейна (виж. фиг.1). Оптималният диапазон на дълбочина на потапяне на дюзата под нивото на водата е 200 – 300 мм. При инсталиране на насрещното течение в басейна не е необходимо да се изпуска въздухът от тялото на помпата. Ето защо насрещното течение може да се инсталира във все още ненапълнен басейн.

Монтаж на насрещно течение в изцяло вкопан басейн

За монтажа се използва фундаментна плоча, която е част от комплекта и се монтира на долния капак на насрещното течение.

За монтажа при басейна трябва да се изгради бетонна фундаментна плоча (бетон В30), която трябва да бъде на 20 мм под нивото на ръба на басейна. Така насрещното течение ще бъде разположено на горната летва на басейна.

Преди монтажа е необходимо да се свали горният капак на насрещното течение.

Насрещното течение се поставя възможно най-близо до стената или страничната лайсна на басейна с цилиндрична тръба.

Фиксирането на съоръжението се извършва с анкерни болтове М8-160 (фиг.3), с помощта на химичен скрепящ продукт (двухкомпонентна мазика на основата на смола за фиксиране на механични части към минерален слой). Дълбочината на вкарване на винтовете е 138 мм. За фиксирането трябва да се използва широка 8,2 мм подложка и самозатягащи се гайки М8. Винтовете и останалите материали не са част от доставката.

Монтиране на насрещно течение за надземно басейн

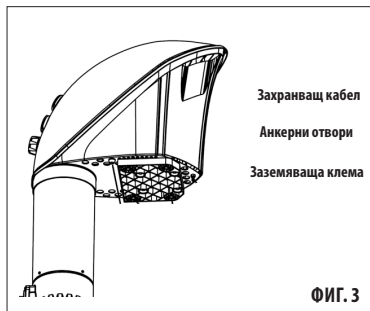
За монтажа се използва телескопичен крак, който не е част от доставката. Преди монтиране на крака е необходимо да бъде отстранена монтажната плоча от долния капак на съоръжението за насрещно течение. След това със същите винтове се монтира кракът.

За монтажа трябва да се изгради бетонна фундаментна плоча, която е от 767 до 1390 мм под нивото на ръба на басейна. След това кракът се настройва на височина така, че трябва на долния капак на насрещното течение да лежи върху горната лайсна на басейна.

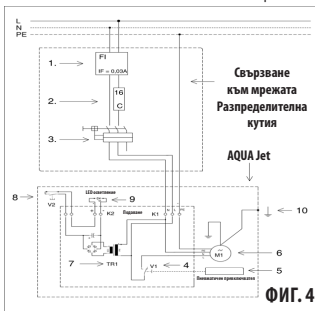
Преди монтажа е необходимо да се свали горният капак на насрещното течение.

Насрещното течение се поставя възможно най-близо до стената или страничната лайсна на басейна с цилиндрична тръба.

Фиксирането на съоръжението се извършва с анкерни болтове М8-160 (фиг.3), с помощта на химичен скрепящ продукт (двухкомпонентна мазика на основата на смола за фиксиране на механични части към минерален слой). Дълбочината на вкарване на винтовете е 138 мм. За фиксирането трябва да се използва широка 8,2 мм подложка и самозатягащи се гайки М8. Винтовете и останалите материали не са част от доставката.



ФИГ. 3

**Електрическа схема на свързаното на****AQUA Jet 50 (фиг.4):**

1. Електрически предпазител IF=0.03А
2. Предпазител 16А, характеристика С
3. Пускател на двигателя от 6А до 10А
4. Пневматичен изключвател на двигателя V1
5. Пневматично управление на изключвателя
6. Двигател на помпа M1
7. Защитен разпределителен трансформатор с изправител TR1 за LED осветление D1
8. Изключвател на осветление V2
9. LED осветление D1
10. Заземяваща клемма

Забележка: позиции 1, 2 и 3 не са част от доставката на съоръжението

Свързване на насрещното течение към електричеството

Насрещните течения се свързват към електрическата мрежа, едва след надлежното механично фиксиране на тялото на уреда. Свързването към електрическата мрежа (или изключването) може да бъде извършвано единствено от квалифициран специалист, в съответствие с валидните електротехнически предписания и стандарти, по-специално със стандарт **СН 33-2000-7-702** (с квалификация съгласно наредба 50/1978 Сб. 56).



Насрещното течение трябва да бъде свързано към разпределителната мрежа с помощта на пускателя на двигателя, предпазителите и електрически предпазител (виж. схема на свързването фиг. 4). Невключването на тези защитни елементи може да доведе до опасност за живота и обща опасност. Съоръжението трябва да бъде разположено извън защитната зона на басейна (зони 0, 1 и 2), виж. **СН 33 2000-7-702**, която е определена на 3,5 м от стената на басейна, виж. Фиг. 5.

Освен това трябва да бъде поставено в затваряща се разпределителна кутия, осигурена против достъп на неупълномощени лица.



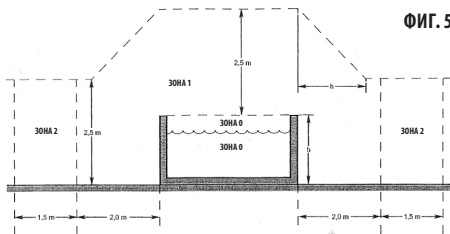
Захранващ кабел с минимално сечение 1,5 мм², трябва да бъде прокаран през кабелния канал в долната част на капака на насрещното течение, виж. Фиг. 3. Освен това, в кутията той трябва да се осигури срещу изваждане от покритието през кабелния канал на разпределителната кутия. По трасето към насрещното течение кабелът трябва да преминава в кабелен предпазител, виж. Фиг. 6.



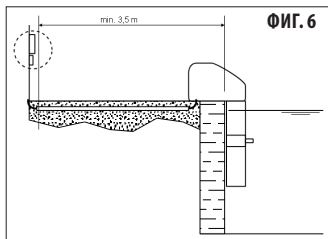
Насрещното течение трябва да бъде заземено със заземяващ кабел 2,5 мм². Заземяващата примка се монтира към заземяващата клемма, която е разположена в долната част на капака на съоръжението, виж. Фиг. 3. Заземяващият проводник трябва да върви самостоятелно, в кабелен предпазител, заедно със захранващия кабел. Заземяващият кабел трябва да се свърже с клемата за заземяване на разпределителната кутия.



Преди свързване към мрежата всички кондензатори трябва да бъдат върнати на първоначалните им места!



ФИГ. 5



ФИГ. 6

9.0

ВЪВЕЖДАНЕ В ЕКСПЛОАТАЦИЯ И УПРАВЛЕНИЕ

След механичното фиксиране, свързването към мрежата и повторния монтаж, съоръжението е готово за въвеждане в експлоатация.

Съоръжението се пулска и изключва от главния прекъсвач съгласно фиг. 7.

При екстремни външни температури и след дълга работа (няколко часа) може да се стигне до самоволно изключване на насрещното течение. То се причинява от температурния предпазител. Които пази двигателя от прегряване. След охлаждане на двигателя, съоръжението може отново да бъде пуснато.

В случай на продължително време, в което насрещното течение не се използва, препоръчваме съоръжението да бъде изключено от мрежата спускателя на двигателя.



ФИГ. 7



ВНИМАНИЕ: Докато съоръжението работи, не закривайте отворите за проветряване на насрещното течение.

10.0

РАБОТА



Внимание: Някои от частите на уреда за насрещно течение са изработени от стомана. Въпреки, че това е най-вече неръждаема стомана, е необходимо във връзка с използването на химични препарати (особено със съдържание на хлор), да се спазват посочените по-долу инструкции.

При използване на химични препарати трябва да се следи за правилното им дозиране, нужно е преди всичко да се избягва превишената им употреба! При използване на препарати с хлор препоръчваме **редовно да измервате съдържанието на хлор във водата на басейна и да контролирате количеството му. Следващият важен фактор е проверката на pH на водата в басейна.** Неправилната грижа за водата в басейна и използването на по-голямо от посоченото количество химия може да предизвика корозия на металните части на съоръжението, дори и на неръждаемите! По-долу посочваме най-честите причини, които могат да повредят металните части на насрещното течение:

- 1) Нивото на хлор – металните части са устойчиви срещу определена концентрация на хлор, но ако тя е по-висока, може да се стигне до корозия и на неръждаемите материали.
- 2) pH на водата в басейна - правилно pH 7,0 – 7,4. Каквато и да е промяна, преди всичко намаляване на pH предизвиква агресивност на водата и поява на корозия и при неръждаемите материали.
- 3) Съдържание на разтворени соли – макс. 0,5 %

При дозиране и разтваряне на препарати за басейна, дозираната химия във водата на басейна не трябва да достига до съоръжението за насрещно течение. Препоръчваме насрещното течение ДА НЕ СЕ ИЗПОЛЗВА. Преди извършване на шоково третиране на водата на басейна препоръчваме насрещното течение да бъде демонтирано и да се изчаква, докато нивото на хлора не падне до правилното ниво.

11.0

ПОДДРЪЖКА, ЗАЗИМЯВАНЕ

Потребителят трябва да осигури това, цялата поддръжка, надзор и монтаж да бъдат извършвани от лица, които внимателно са се запознали с указанията за обслужване.

Следете за чистотата на водата в басейна, капакът за всмукване или дори тялото на помпата да не се напластяват.

Редовно проверявайте проходимостта на отворите за проветряване в капка на насрещното течение и отстранявайте замърсяванията. Които биха попречили на свободното циркулиране на въздуха.

Ако не използвате съоръжението или ако го оставите без вода (например при зазимяване) трябва да изключите пускателя на двигателя на захранващата верига, за да не се включи случайно.

Редовно проверявайте пълнотата и здравината на покритието и частите на съоръжението.

Препоръчваме за зазимяване съоръжението да бъде демонтирано и съхранявано в сухо помещение. Съоръжението може и да остане монтирано навън, при условие, че нито една негова част няма да остане потопена във вода.

При следващо пълнене на басейна или при монтиране на насрещно течение, проверете проходимостта на отворите за напояване върху тялото на помпата.

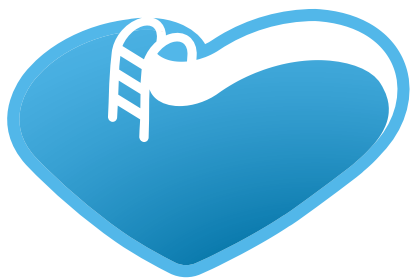
Насрещното течение не трябва да бъде включено, ако не е потопено във вода.

12.0

ИЗПИТВАНИЯ НА ПРОДУКТА

Продуктът насрещно течение за басейн AQUA Jet 50 е в съответствие със следните европейски директиви (правителствени постановления) и измененията им: 2006/95/ЕС (правителствена наредба № 17/2003 Сб., с която се определят техническите изисквания към електрическите съоръжzenia с ниско напрежение) и 2004/108/ЕС (правителствена наредба № 616/2006 Сб., с която се определят техническите изисквания към продуктите от гледна точка на тяхната електромагнитната съвместимост).

Продуктът е изпитан в Инженерната служба за изпитване в Бърно. Страна на произход: Чешка република



BSVillage


www.bsvillage.com

PISCINE - WELLNESS - OUTDOOR

www.bsvillage.com

BUSINESS SHOP S.r.l. a Socio Unico
Via della Repubblica n. 19/1 - 42123 Reggio Emilia (RE)
P.Iva e C.F. 02458850357 - Cap. soc. 60.000,00 € i.v.

 www.bsvillage.com

 0522 15 36 417

 info@bsvillage.com

 0522 18 40 494