



**BSVillage**  
PISCINE - WELLNESS - OUTDOOR

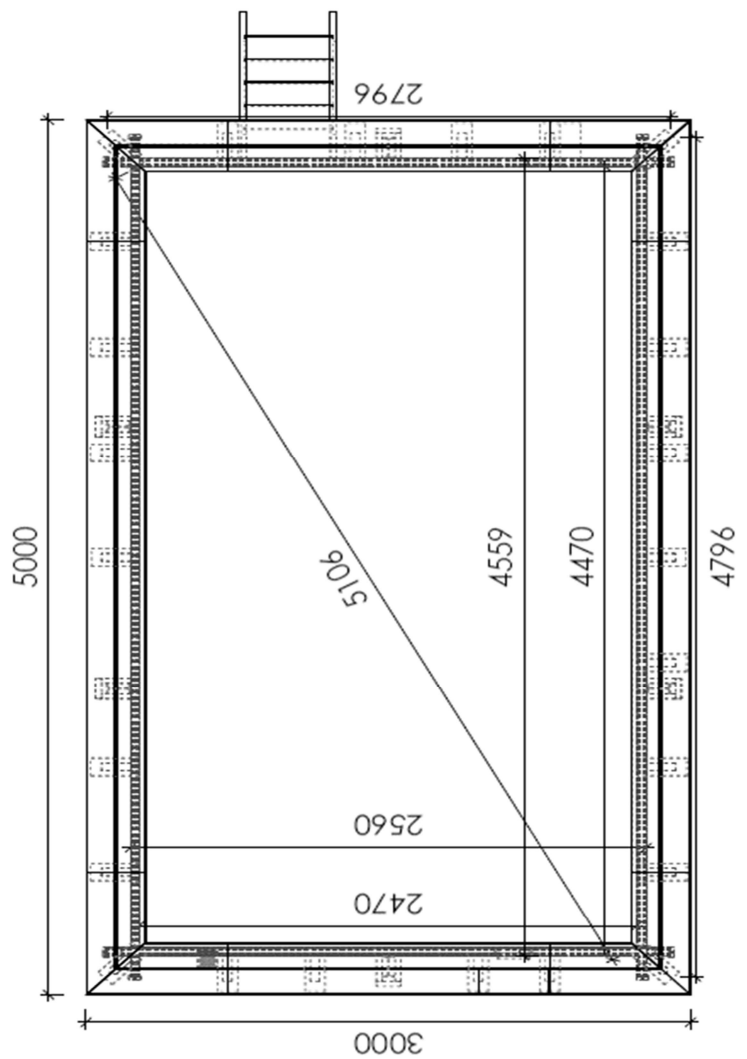
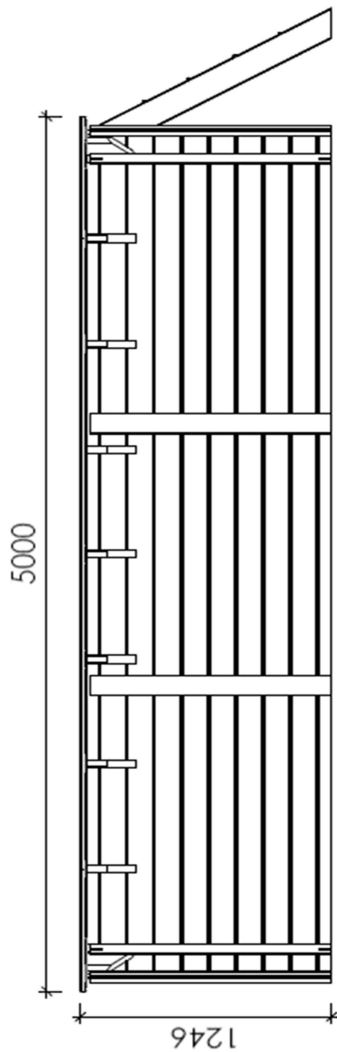
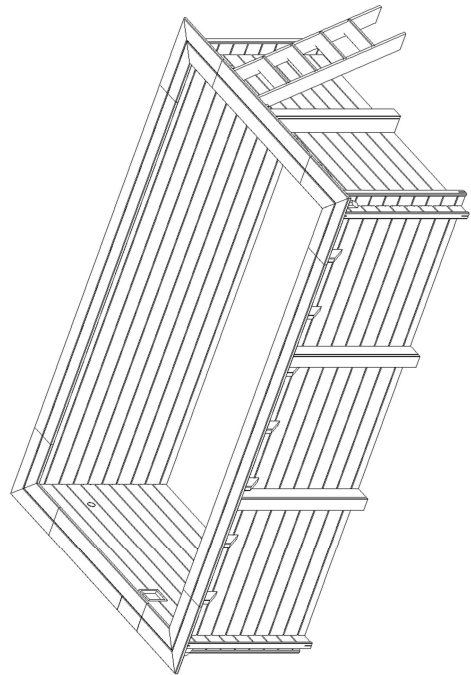
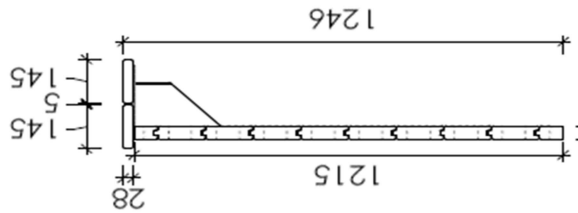
MANUALE di MONTAGGIO  
**Piscina in Legno**  
**Rett. EcoWood 500**



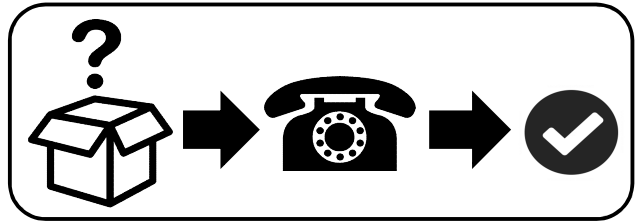
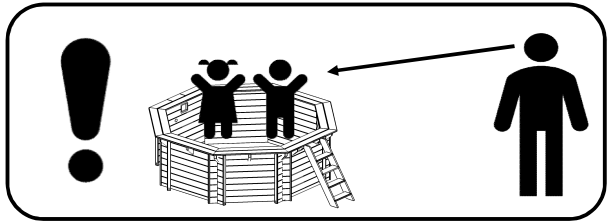
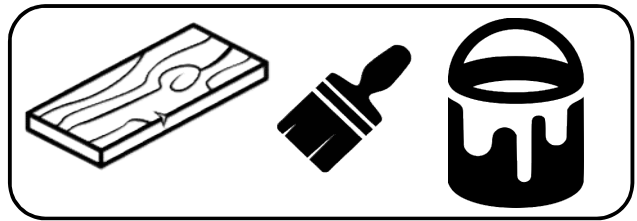
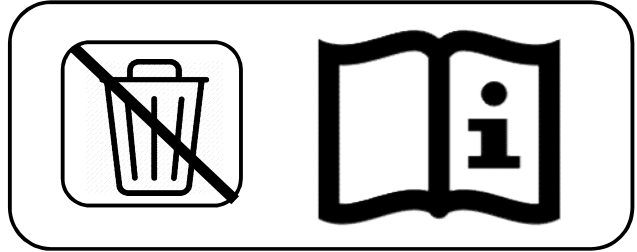
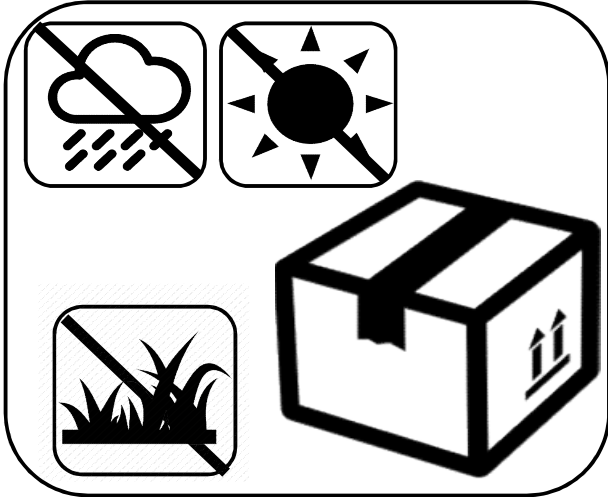
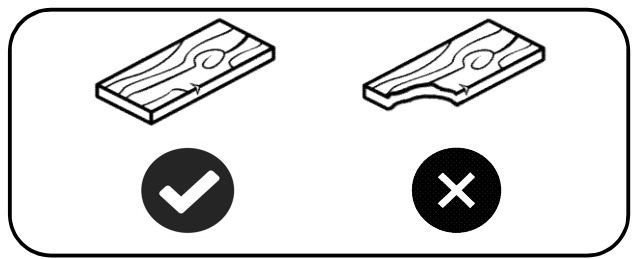
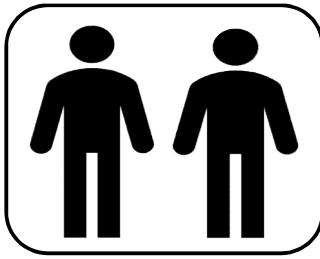
[www.bsvillage.com](http://www.bsvillage.com)



**BAS86-3 500x300cm  
h124cm 44(+/-1)mm**
















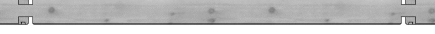

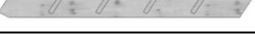






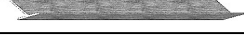




# Important








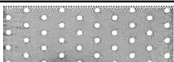




## BAS86-3 500x300cm h124cm

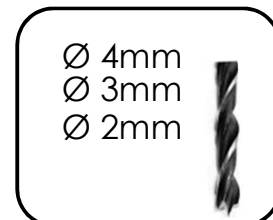
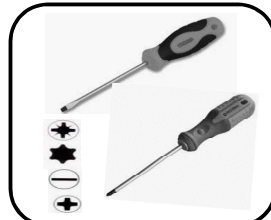
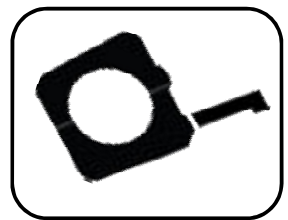
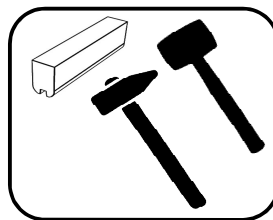
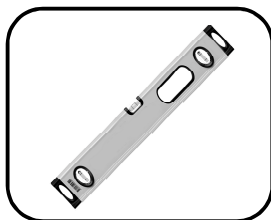
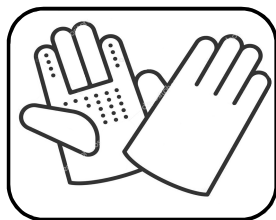
Nr	Element	Dimensions			pie.	A	B
		d	h	L			
1		28	145	550	<b>4</b>		
2		28	145	700	<b>4</b>		
3		28	145	550	<b>4</b>		
4		28	145	700	<b>4</b>		
5		28	145	3600	<b>4</b>		
6		28	145	1600	<b>3</b>		
7		28	145	1244	<b>1</b>		
8		28	145	350	<b>1</b>		
9		44	135	2796	<b>1</b>		
10		44	145	2796	<b>14</b>		
11		44	135	2796	<b>1</b>		
12		44	145	2796	<b>1</b>		
13		44	145	2796	<b>1</b>		
14		44	67	4796	<b>2</b>		
15		44	78	4796	<b>2</b>		
16		44	145	4796	<b>16</b>		
17		28	145	1465	<b>1</b>		
18		28	145	1465	<b>1</b>		
19		28	145	440	<b>4</b>		
20		45	145	245	<b>22</b>		
21		45	145	245	<b>4</b>		
22		28	120	1200	<b>6</b>		
23		28	145	1200	<b>12</b>		
24		28	60	1200	<b>8</b>		
25		58	120	1700	<b>6</b>		
26		10	10	500	<b>6</b>		
27		44	145	150	<b>1</b>		

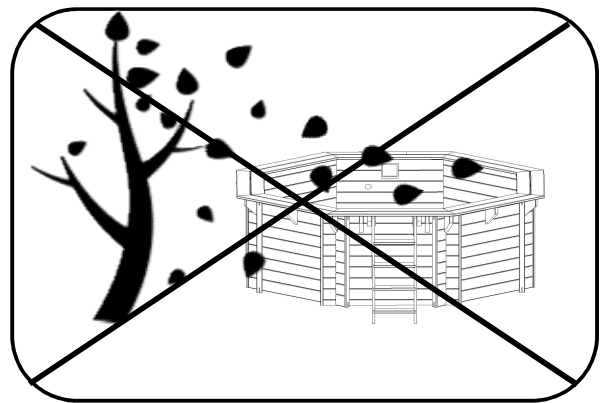
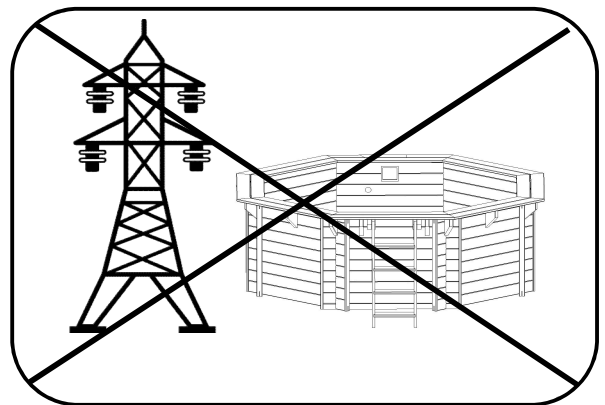
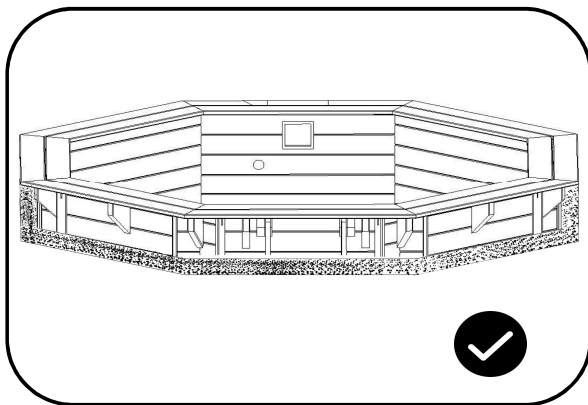
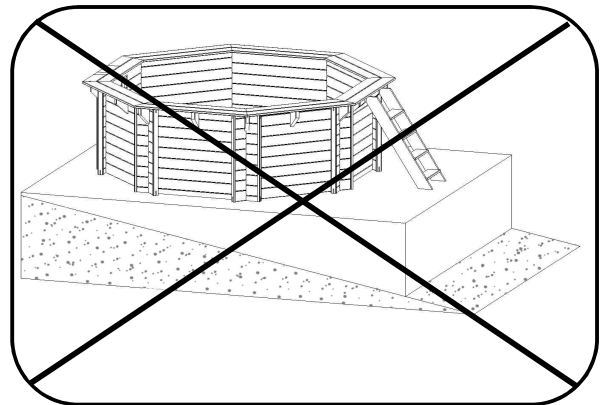
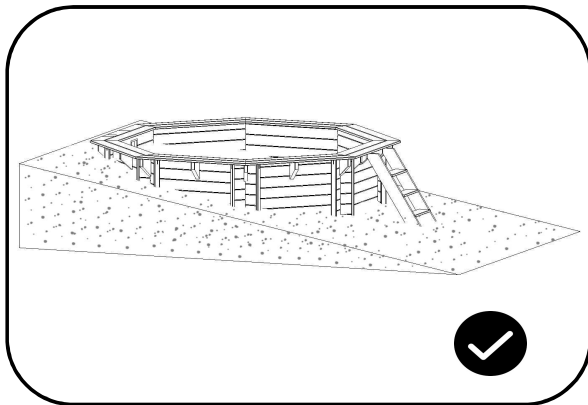
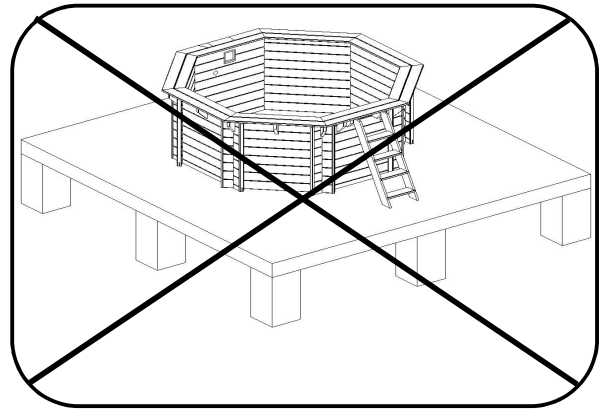
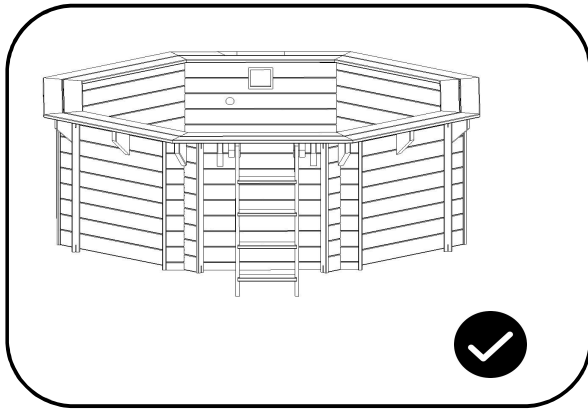


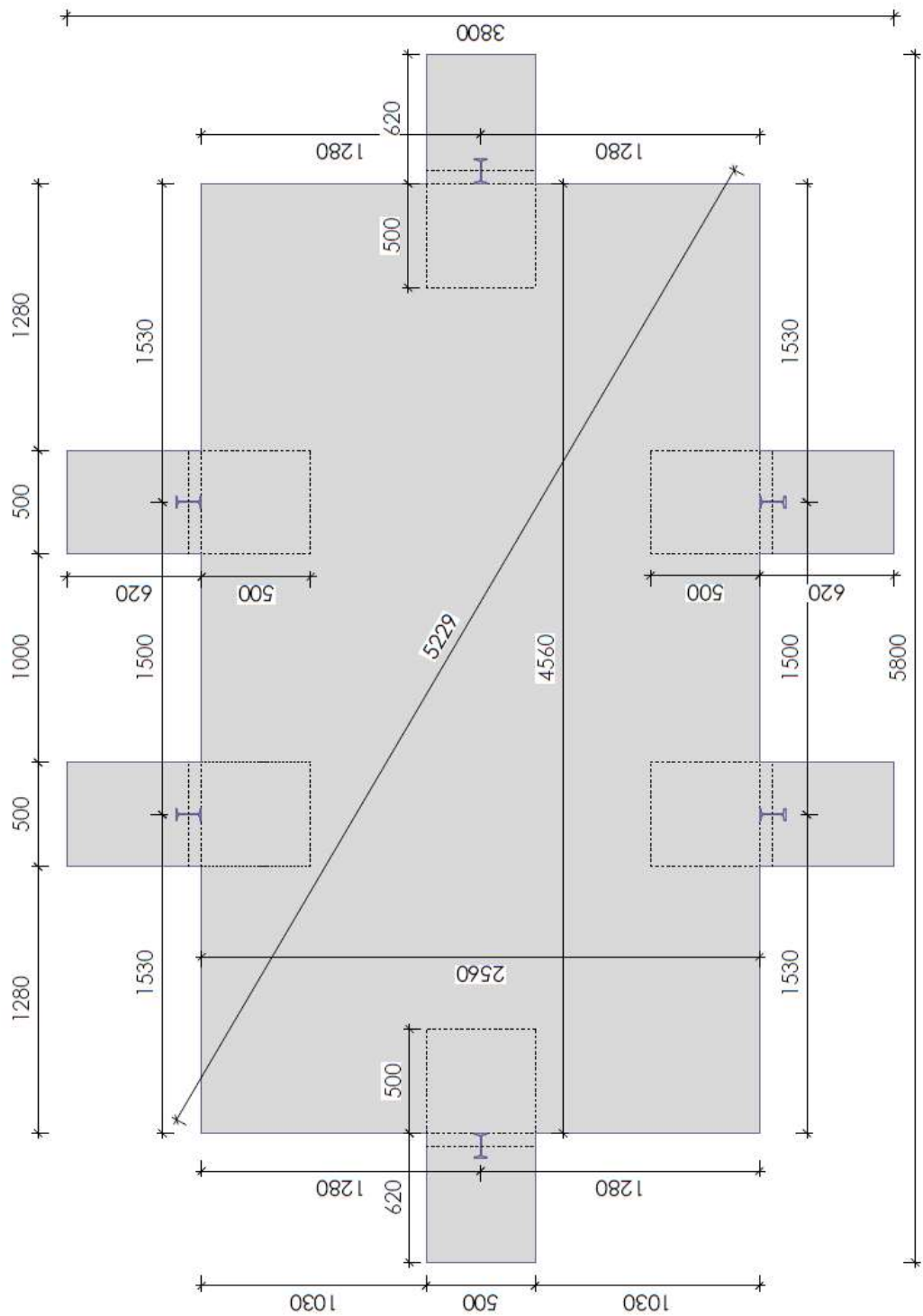
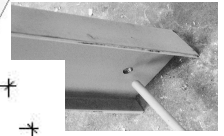
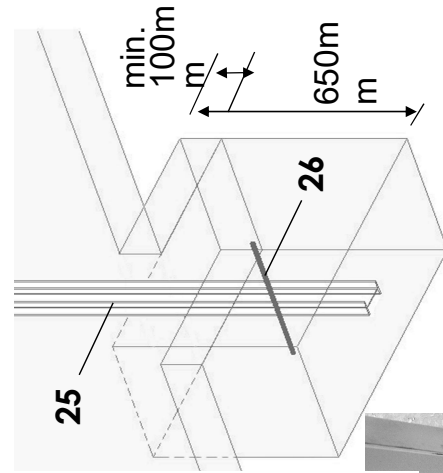
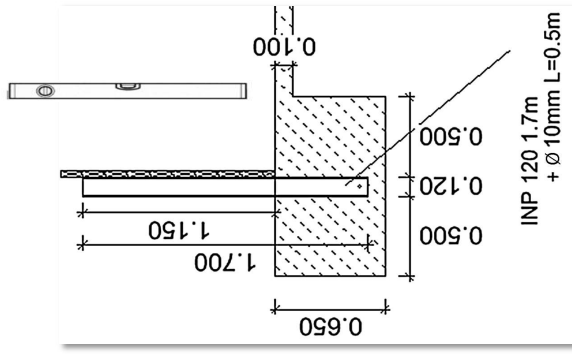
## BAS86-3 500x300cm h124cm

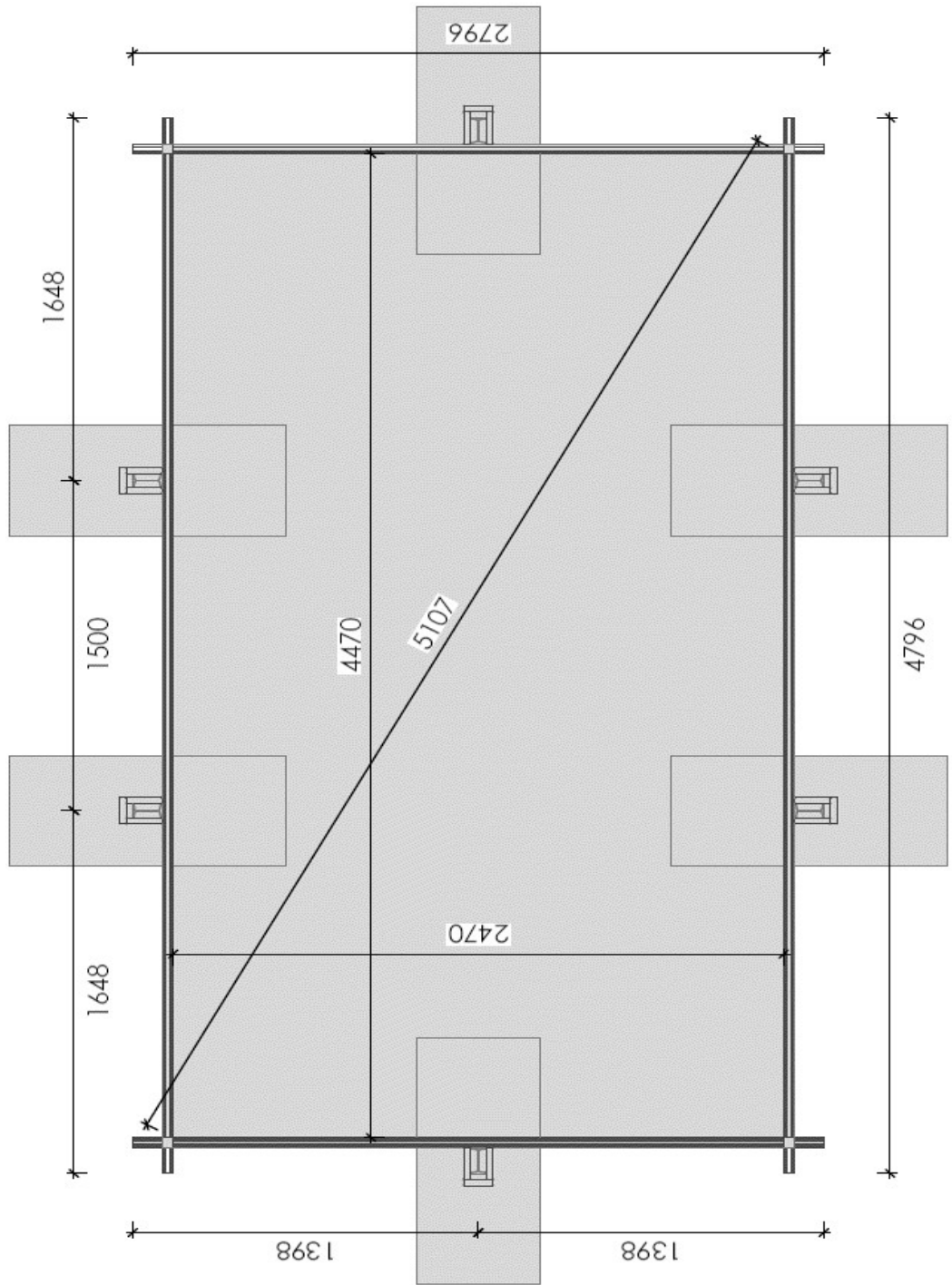
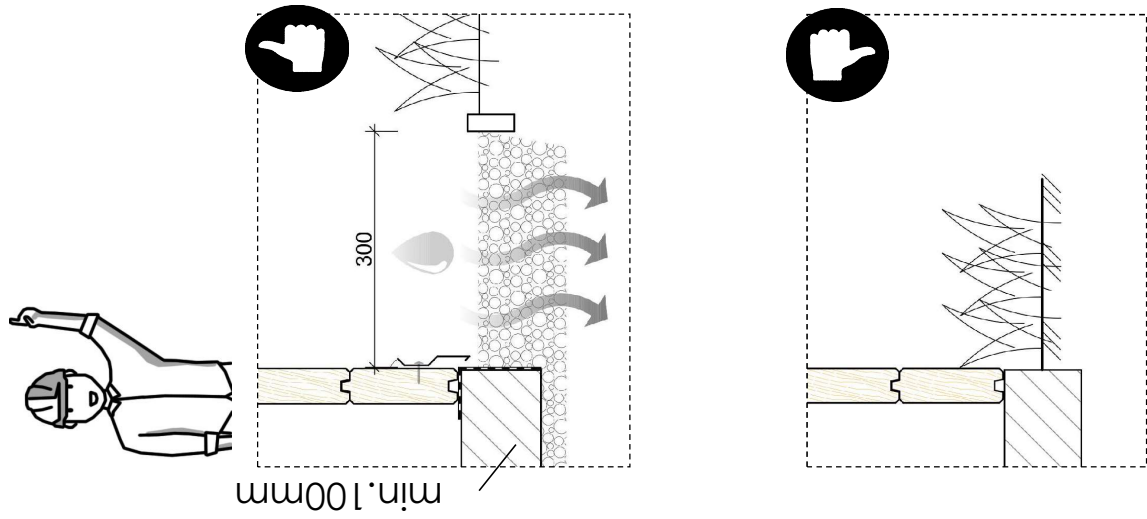
Nr	Element	Dimensions	pie.	A	B
A		3,0x25	12		
B		3,5x25	324		
C		4,5x60	106		
D		5x80	16		
E		5x100	96		
F		3x100x240	26		
G			2		
H		40x40	2		

## Outils



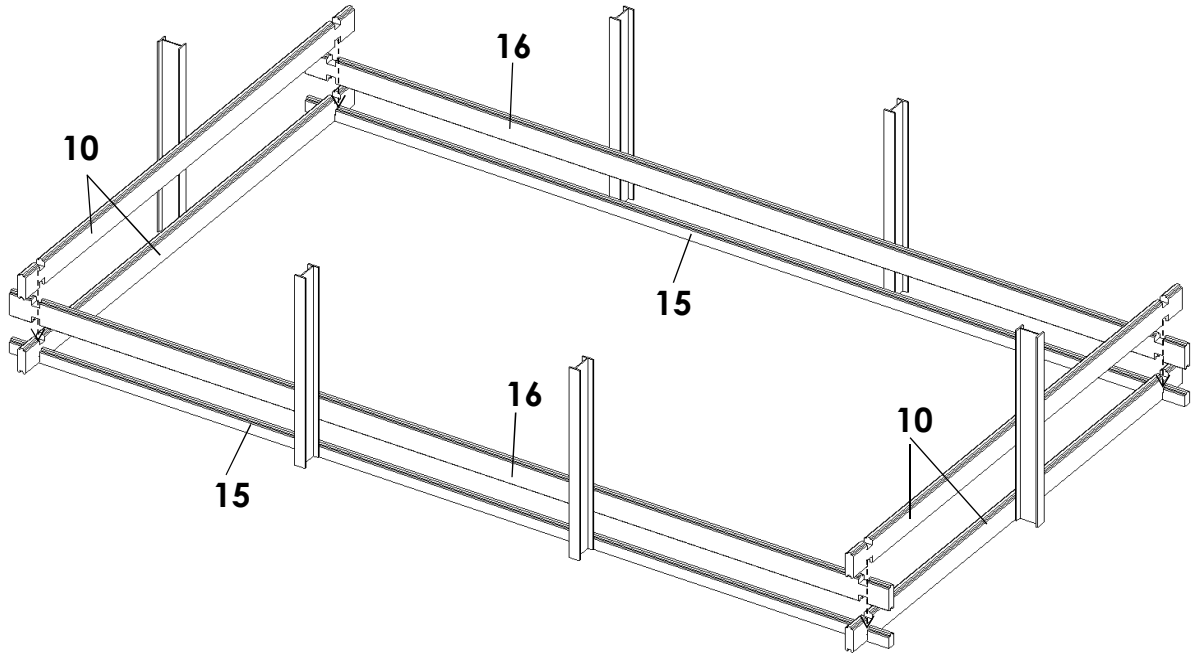
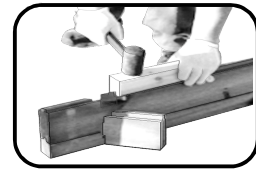
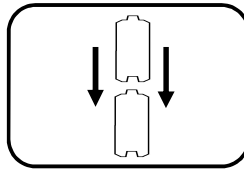
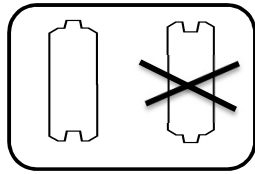




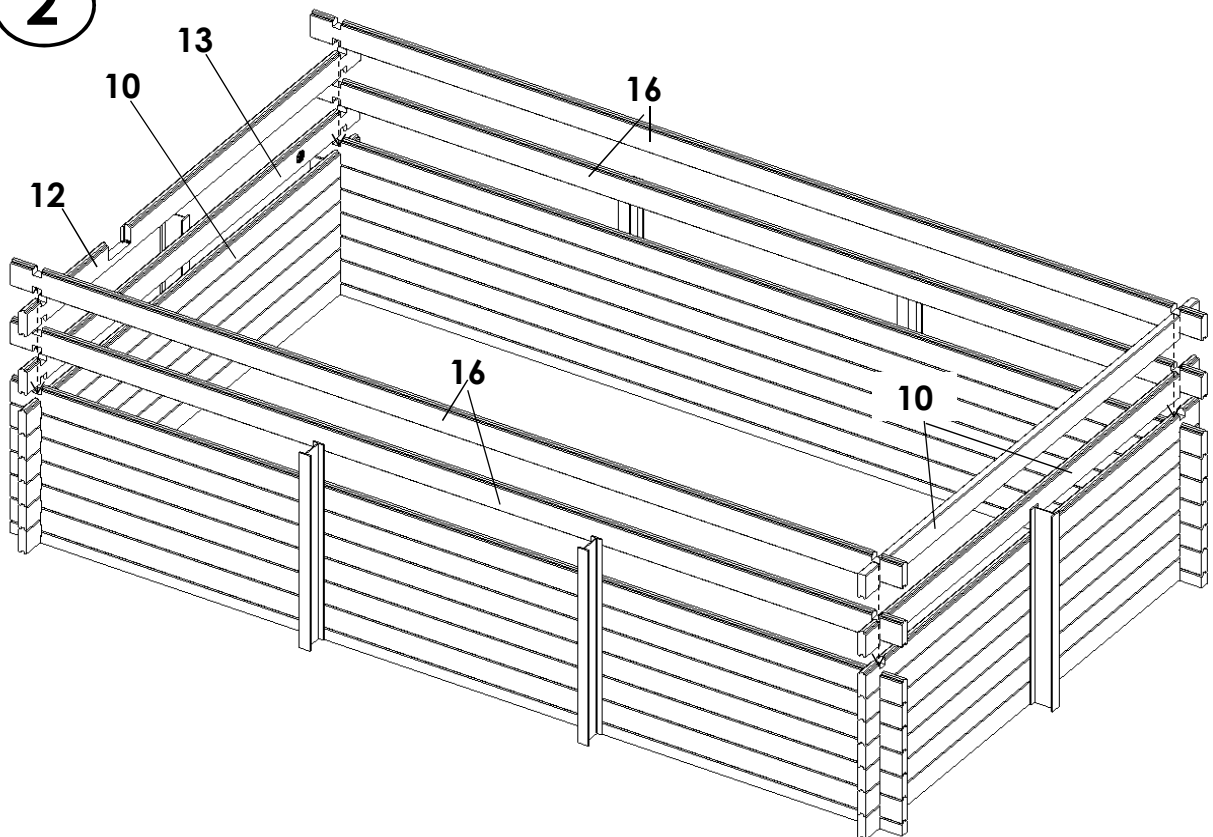


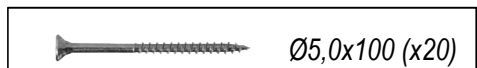
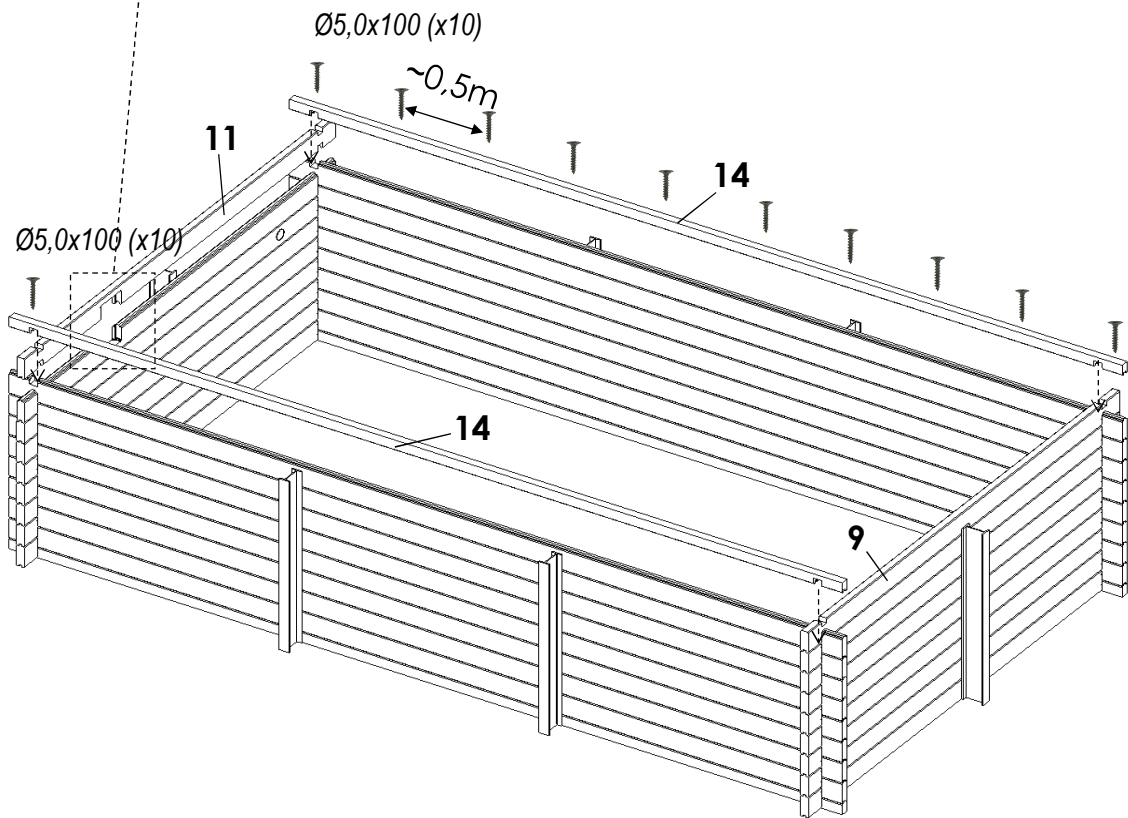
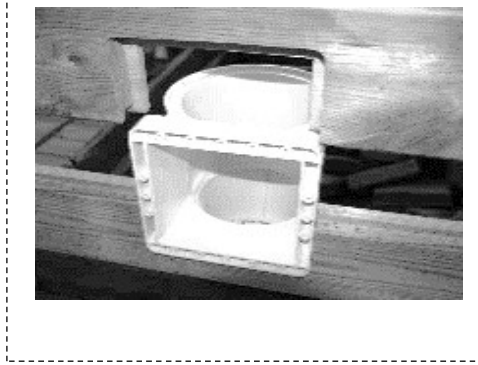
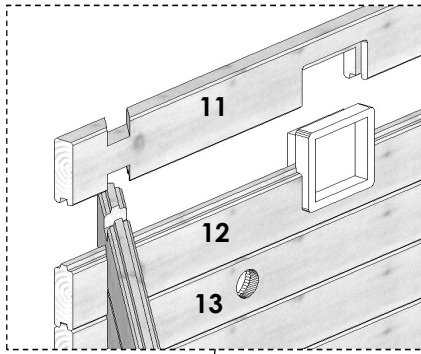


1

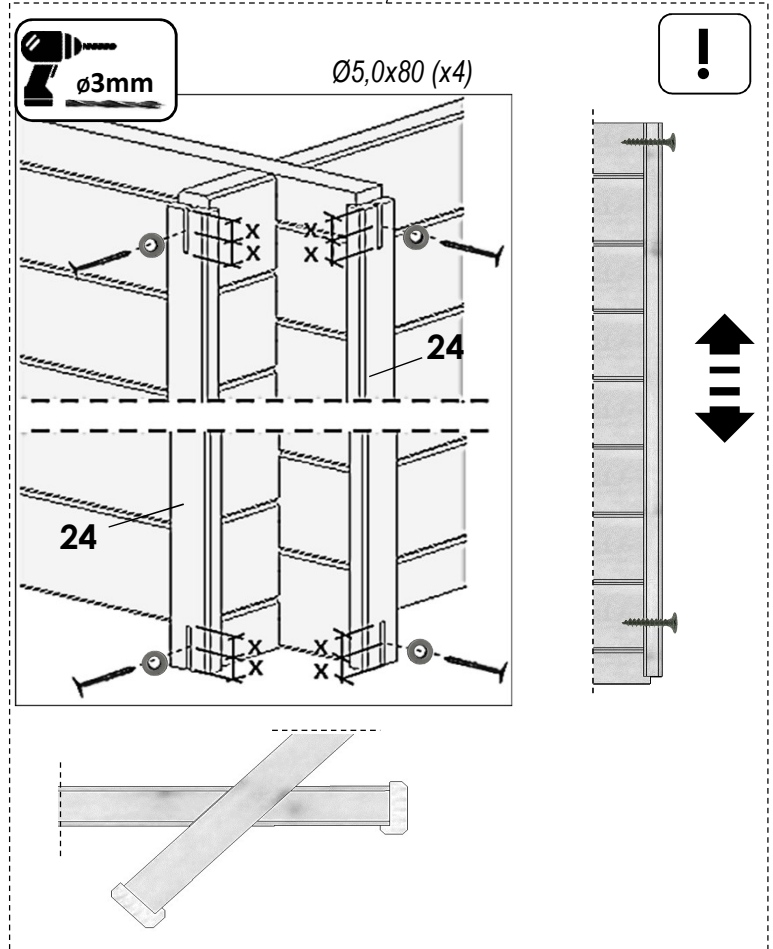
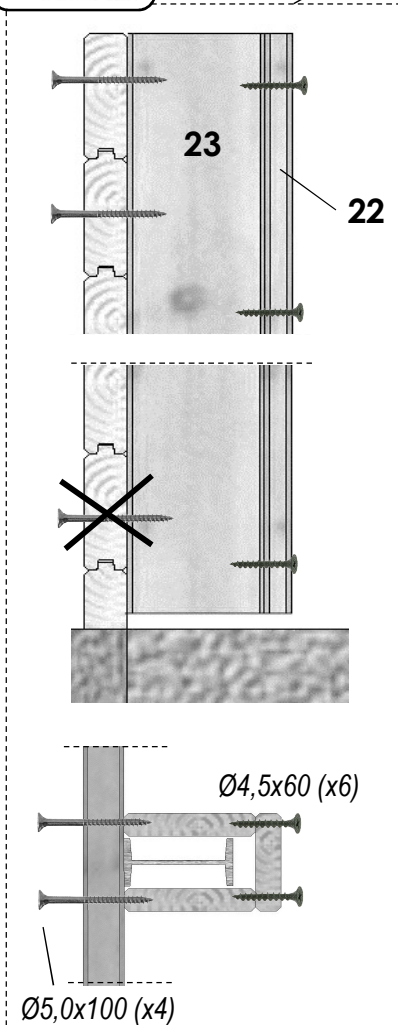
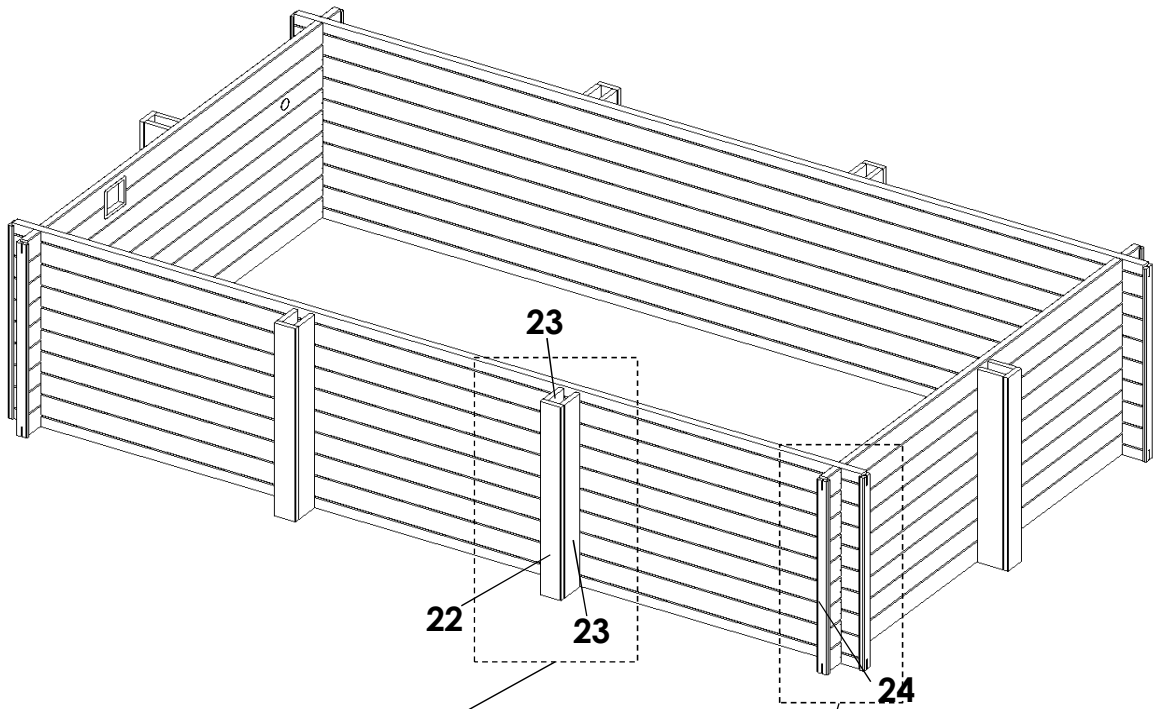


2





4

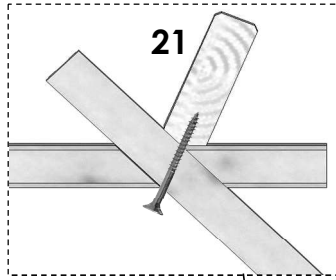


- |  |                |
|--|----------------|
|  | Ø5,0x80 (x16)  |
|  | Ø4,5x60 (x36)  |
|  | Ø5,0x100 (x24) |

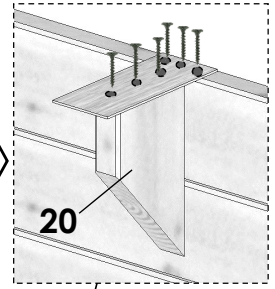
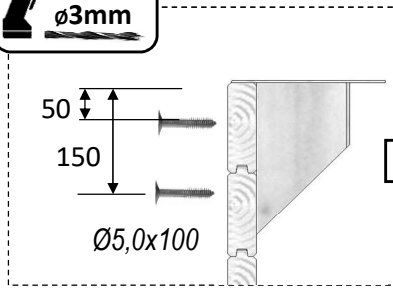
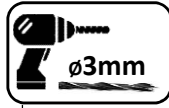




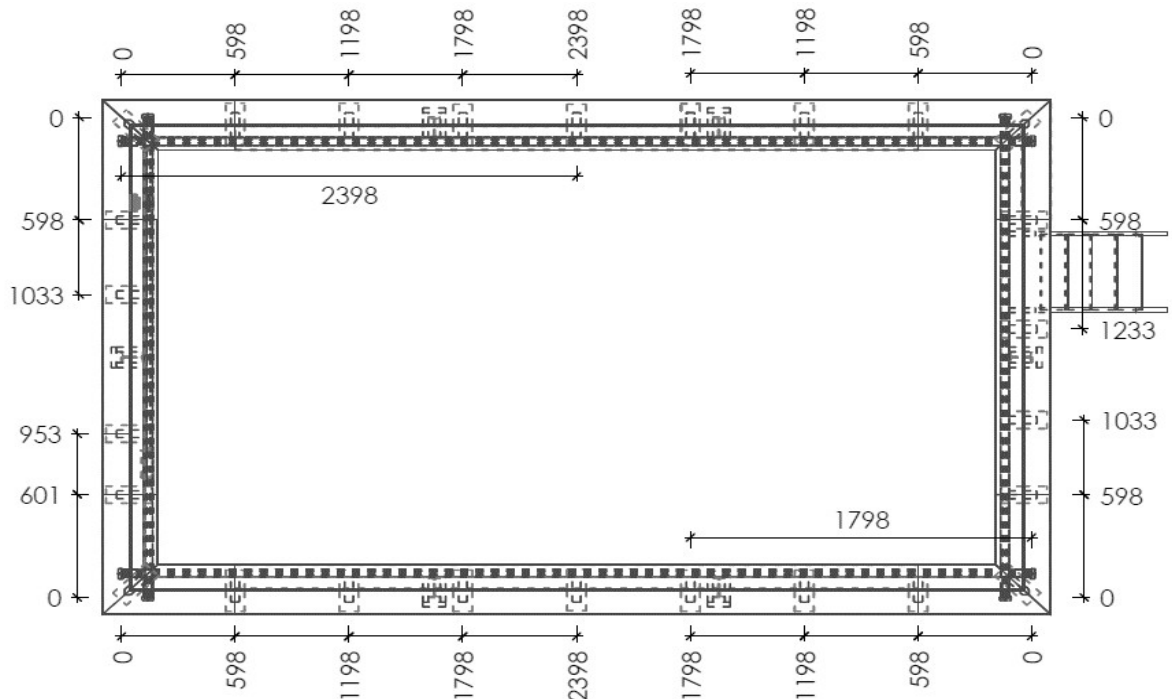
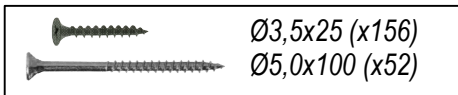
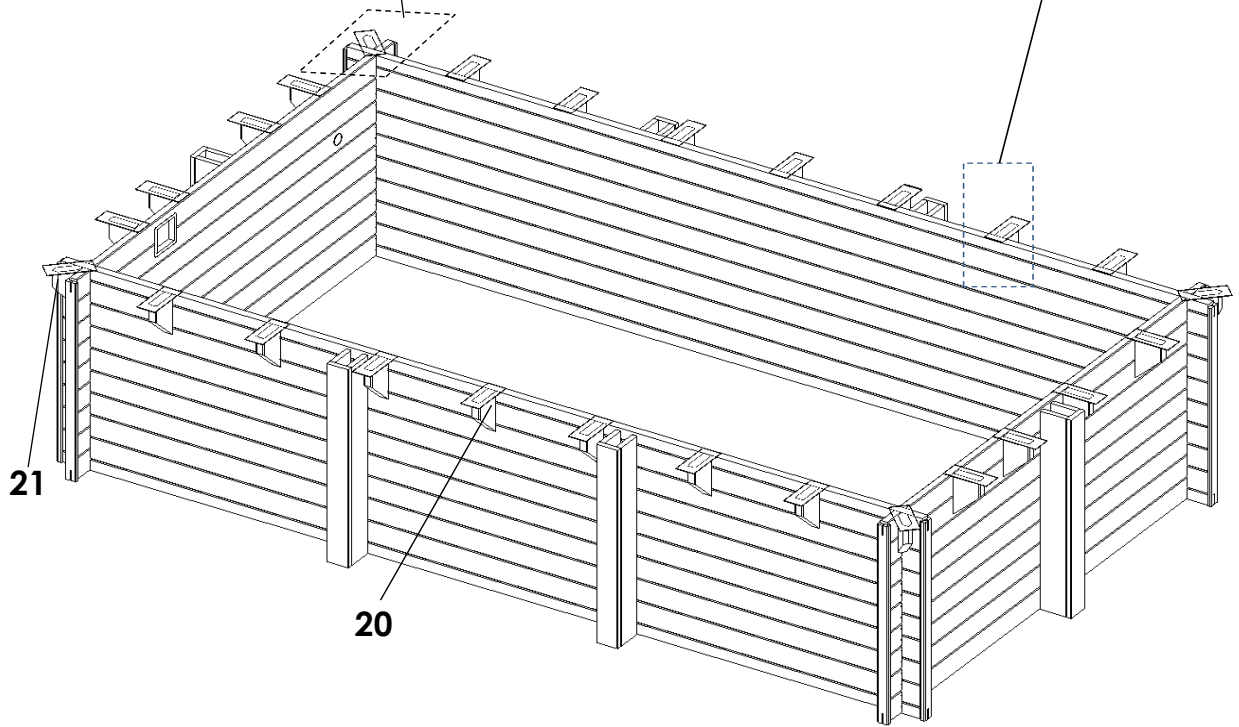
5

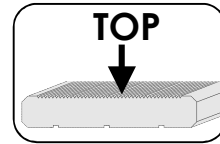


Ø5,0x100 (x2)

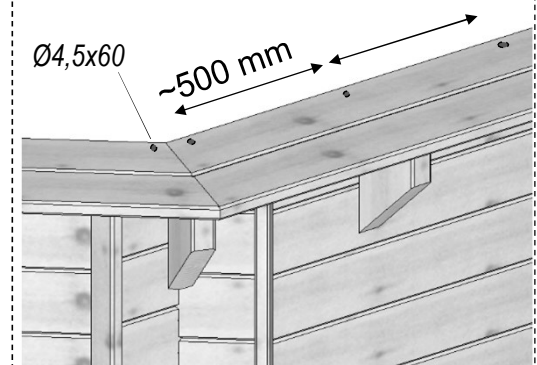
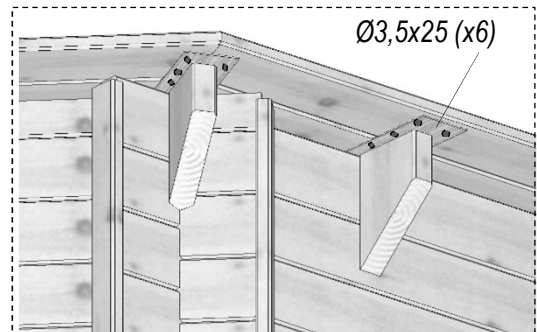
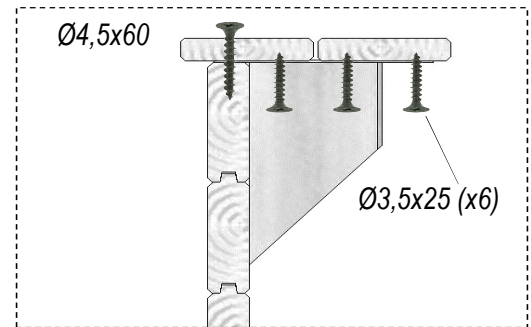
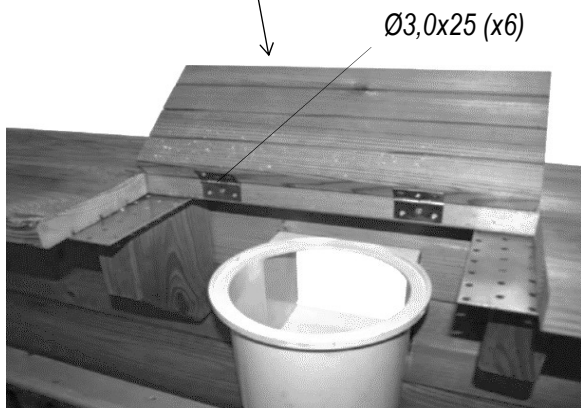
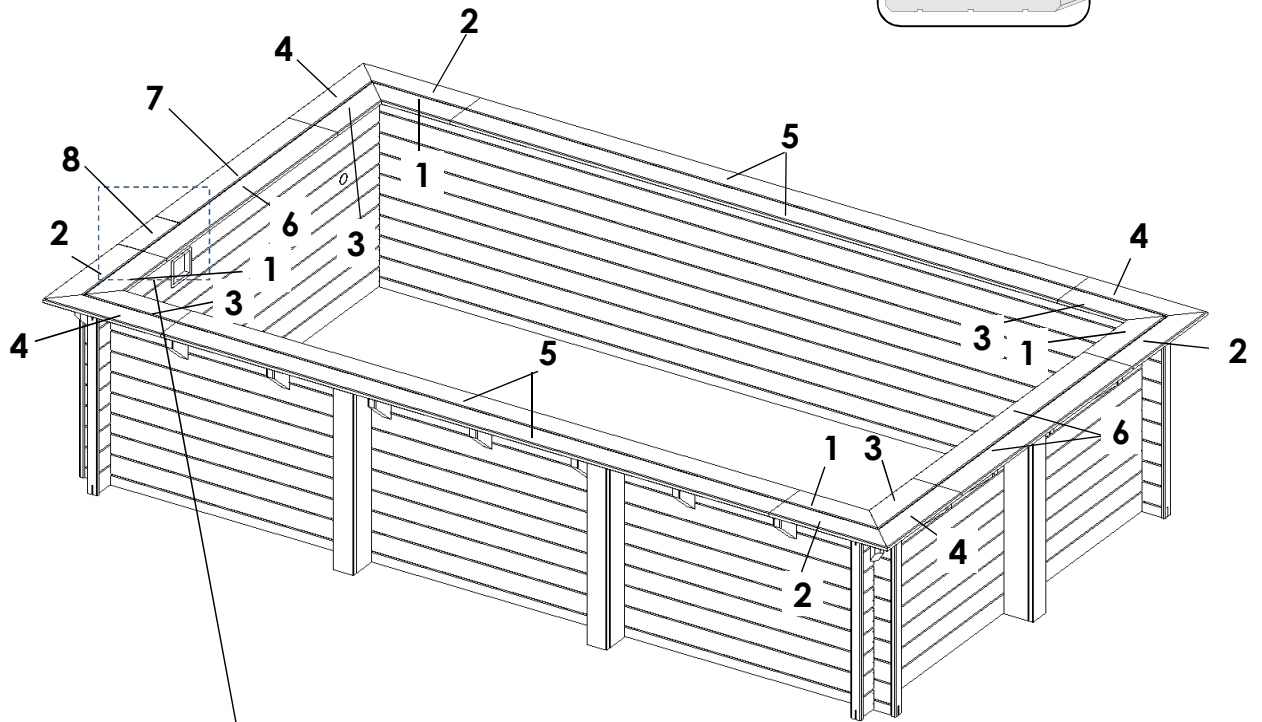





Ø3,5x25 (x6)





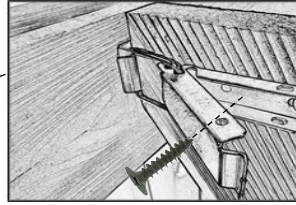
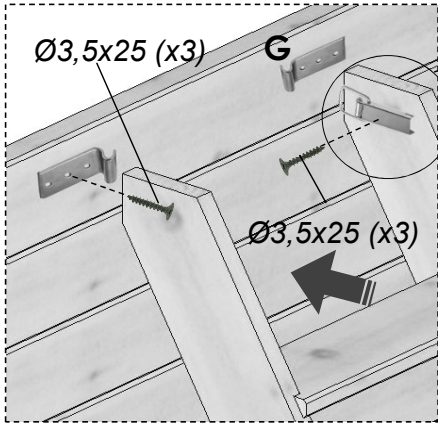
6



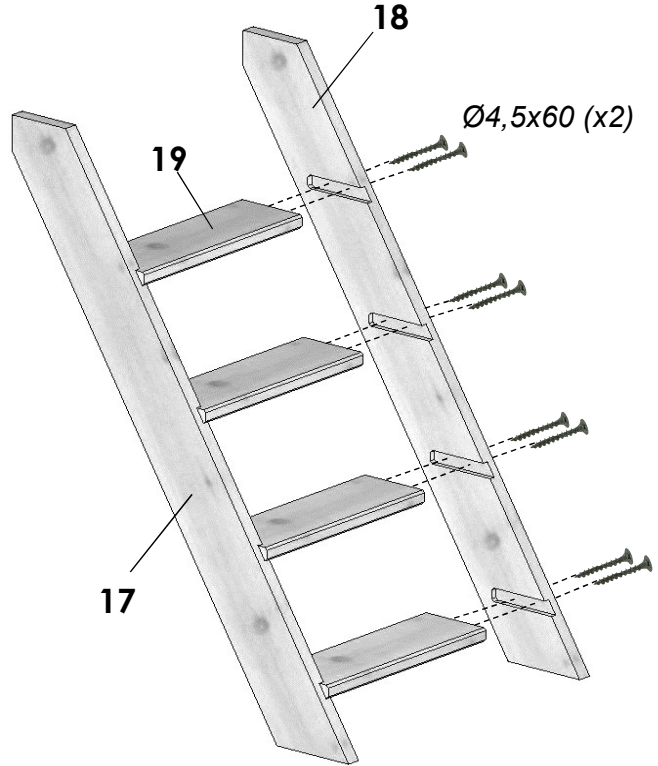
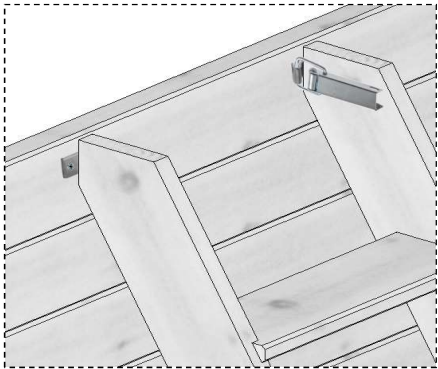
- |   |                |
|---|----------------|
|  | Ø3,0x25 (x12)  |
|  | Ø3,5x25 (x156) |
|  | Ø4,5x60 (x36)  |



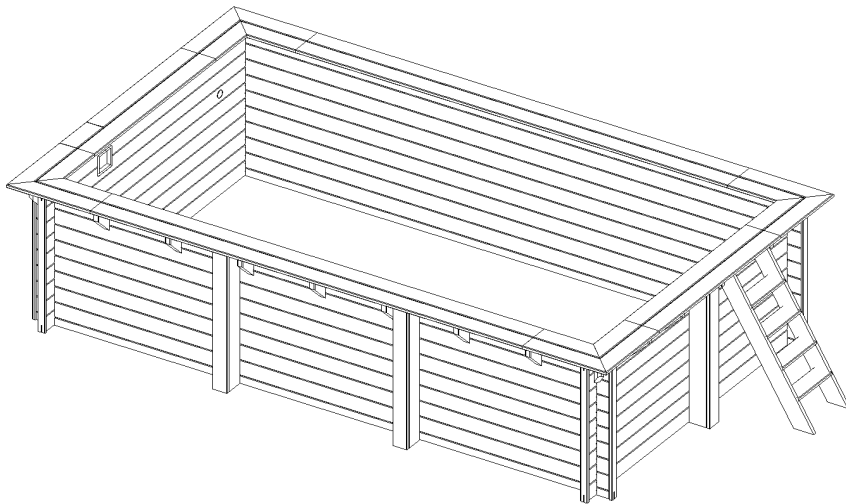
7

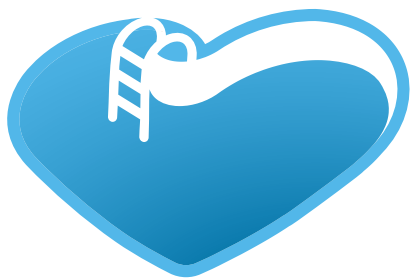


Ø3,5x25 (x3)



- Ø3,5x25 (x12)
- Ø4,5x60 (x16)





# BSVillage


[.com](http://www.bsvillage.com)

PISCINE - WELLNESS - OUTDOOR


[www.bsvillage.com](http://www.bsvillage.com)

BUSINESS SHOP S.r.l. a Socio Unico  
Via della Repubblica n. 19/1 - 42123 Reggio Emilia (RE)  
P.Iva e C.F. 02458850357 - Cap. soc. 60.000,00 € i.v.

 [www.bsvillage.com](http://www.bsvillage.com)

 0522 15 36 417

 [info@bsvillage.com](mailto:info@bsvillage.com)

 0522 18 40 494