



BSVillage
PISCINE - WELLNESS - OUTDOOR

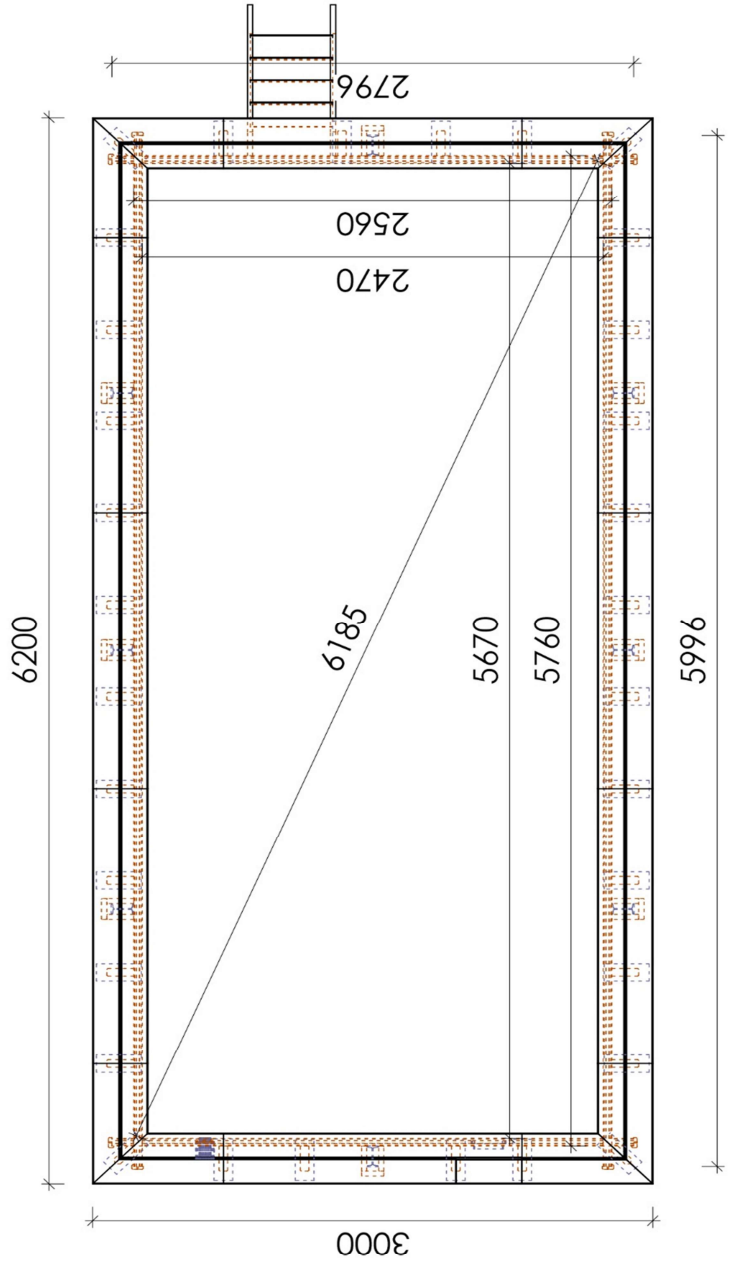
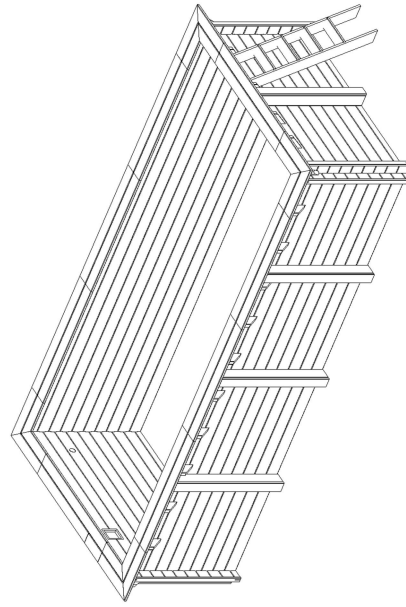
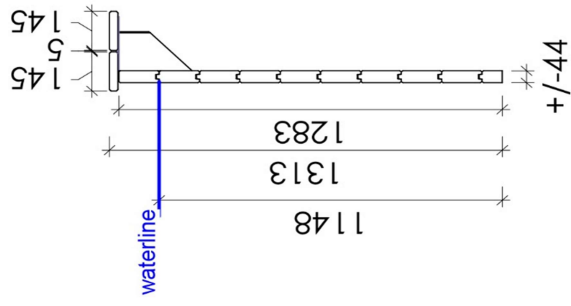
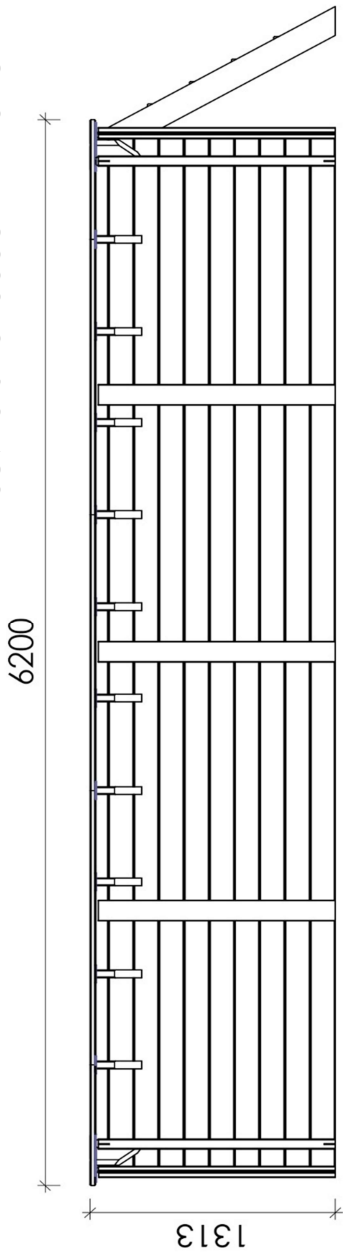
MANUALE di MONTAGGIO
Piscina in Legno
Rett. EcoWood 620



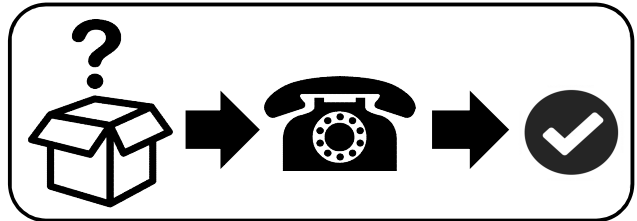
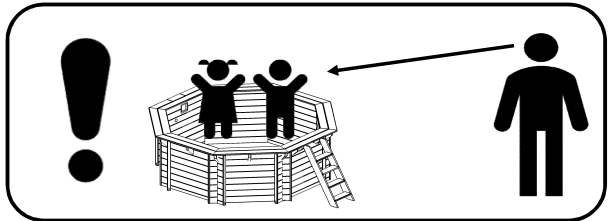
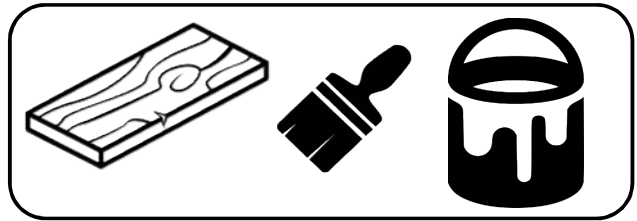
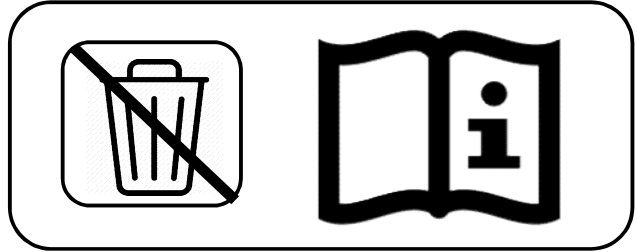
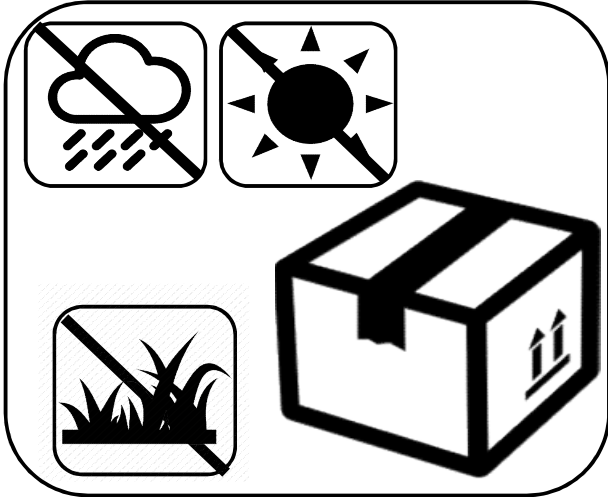
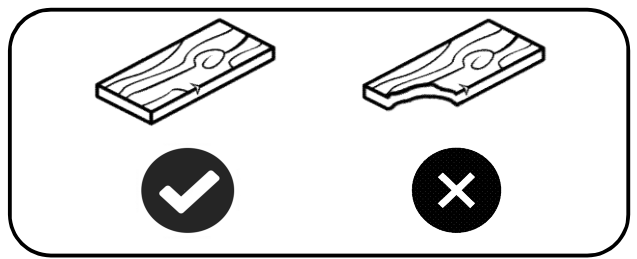
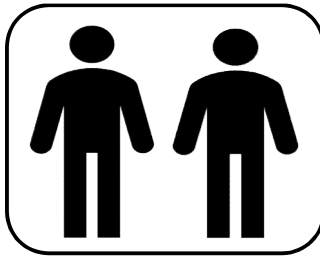
www.bsvillage.com



BAS87-3 620x300cm h131cm 44(+/-1)mm








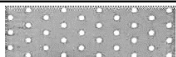


Important



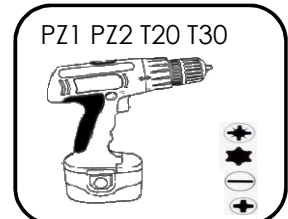
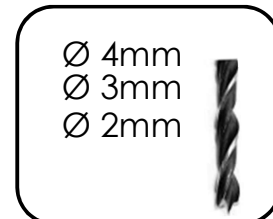
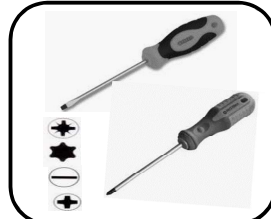
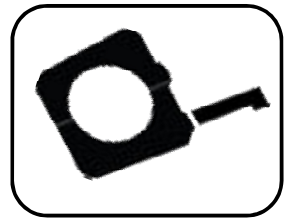
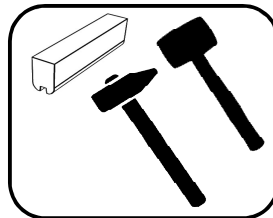
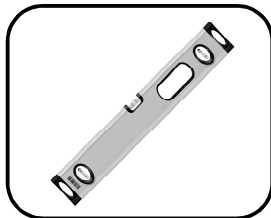
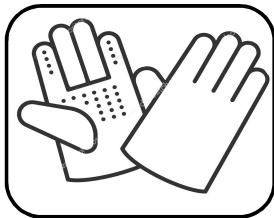
BAS87-3 620x300cm h131cm

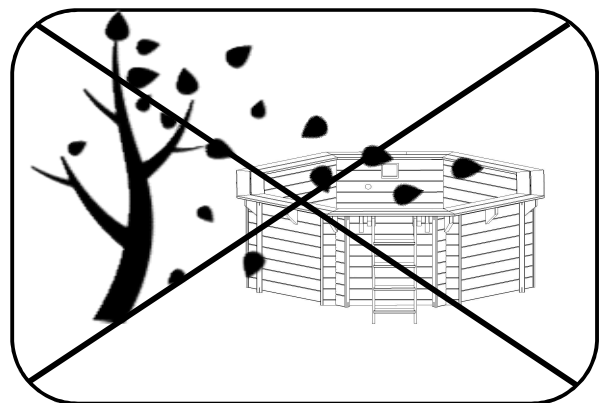
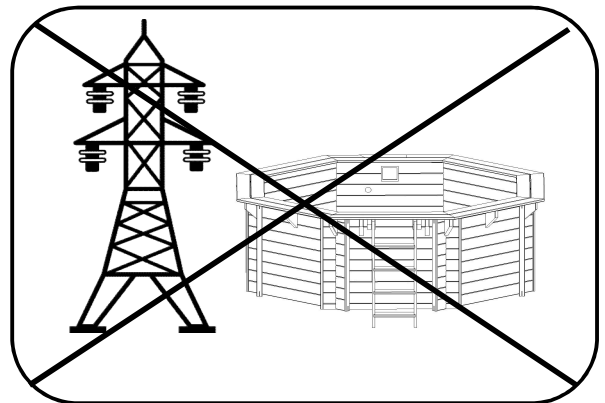
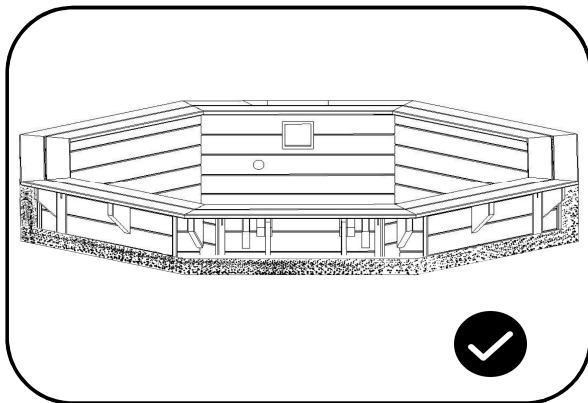
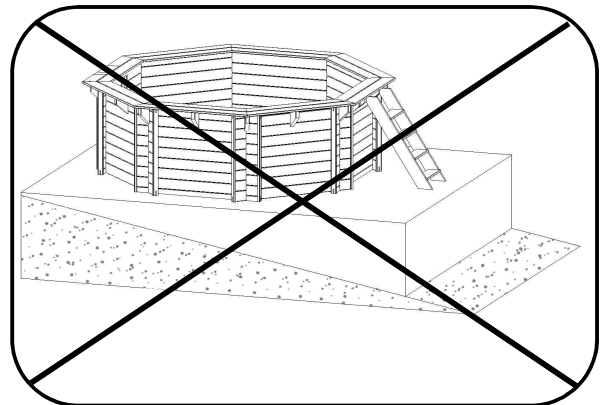
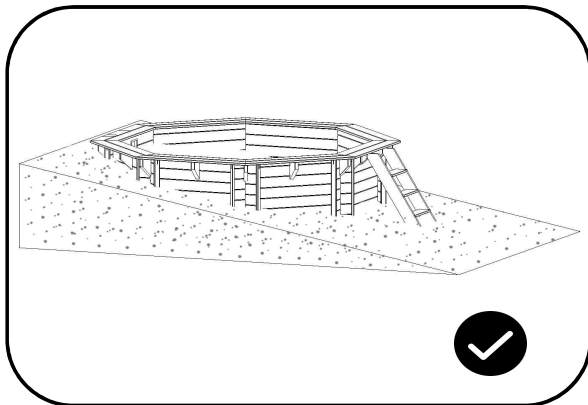
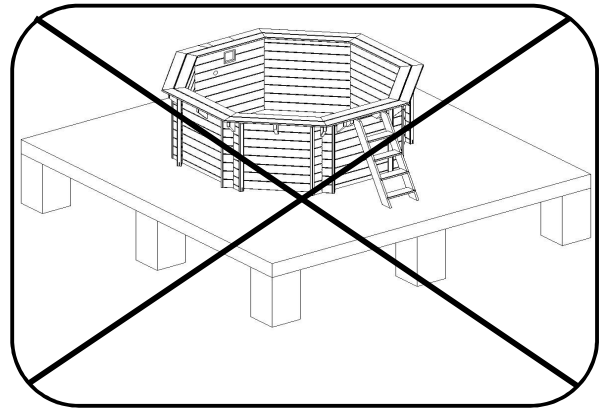
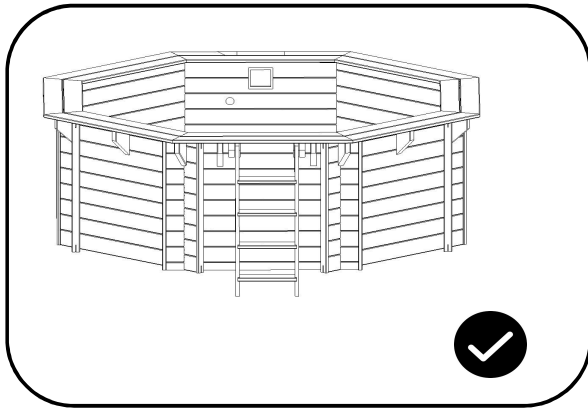
Nr	Element	Dimensions			pie.	A	B
		d	h	L			
1		28	145	550	4		
2		28	145	700	4		
3		28	145	550	4		
4		28	145	700	4		
5		28	145	1600	15		
6		28	145	1244	1		
7		28	145	350	1		
8		44	78	2796	2		
9		44	135	2796	1		
10		44	145	2796	14		
11		44	135	2796	1		
12		44	145	2796	1		
13		44	145	2796	1		
14		44	67	5996	2		
15		44	145	5996	18		
16		28	145	1544	1		
17		28	145	1544	1		
18		28	145	440	4		
19		45	145	245	28		
20		45	145	245	4		
21		28	120	1270	8		
22		28	145	1270	16		
23		28	60	1270	8		
24		58	120	1700	8		
25		10	10	500	8		
26		44	145	150	1		

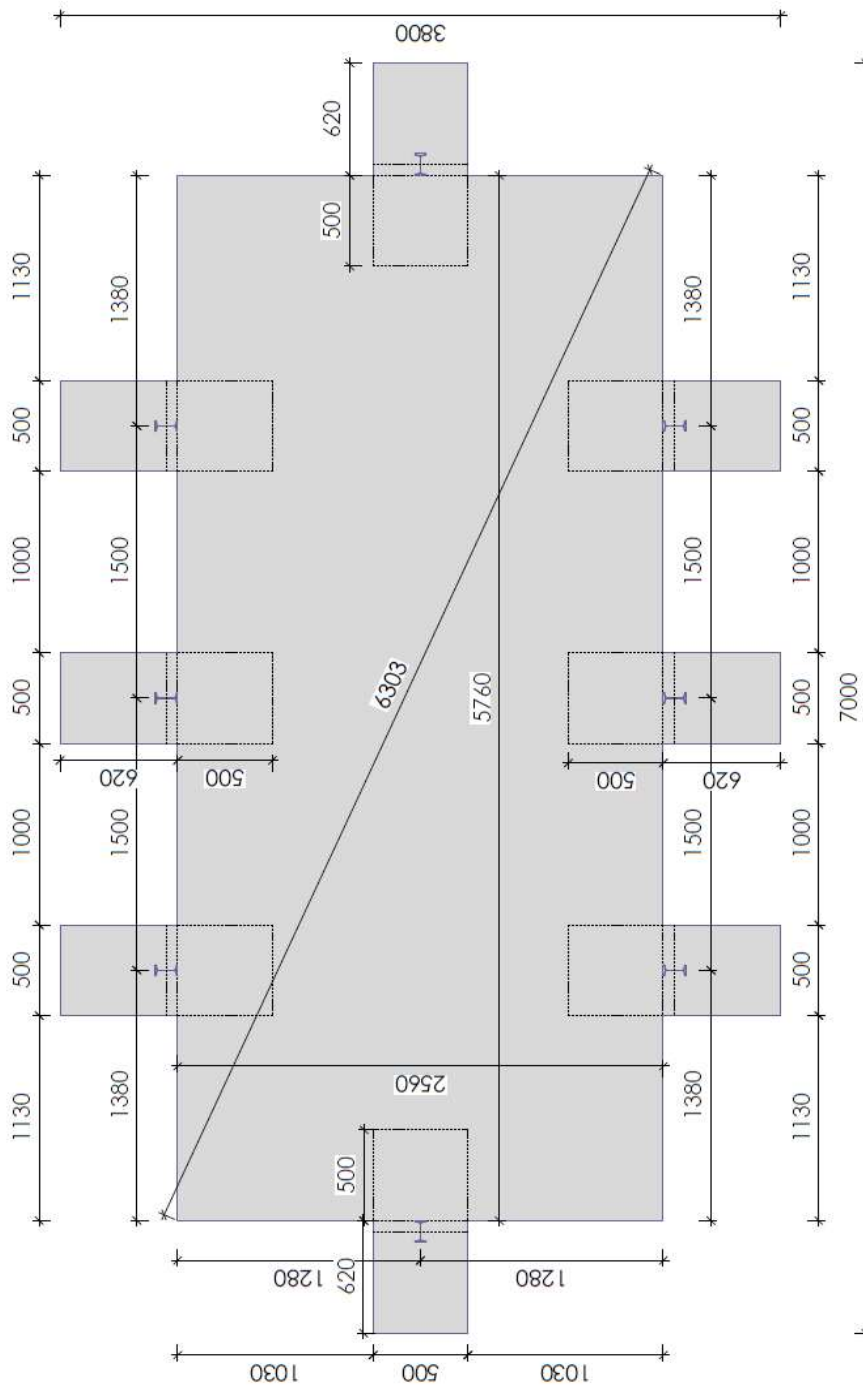
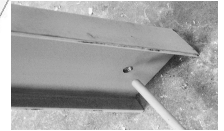
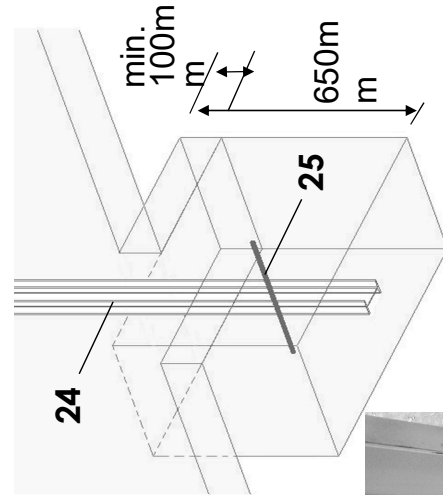
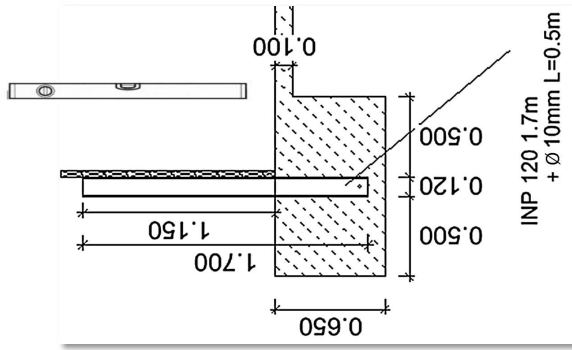
BAS87-3 620x300cm h131cm

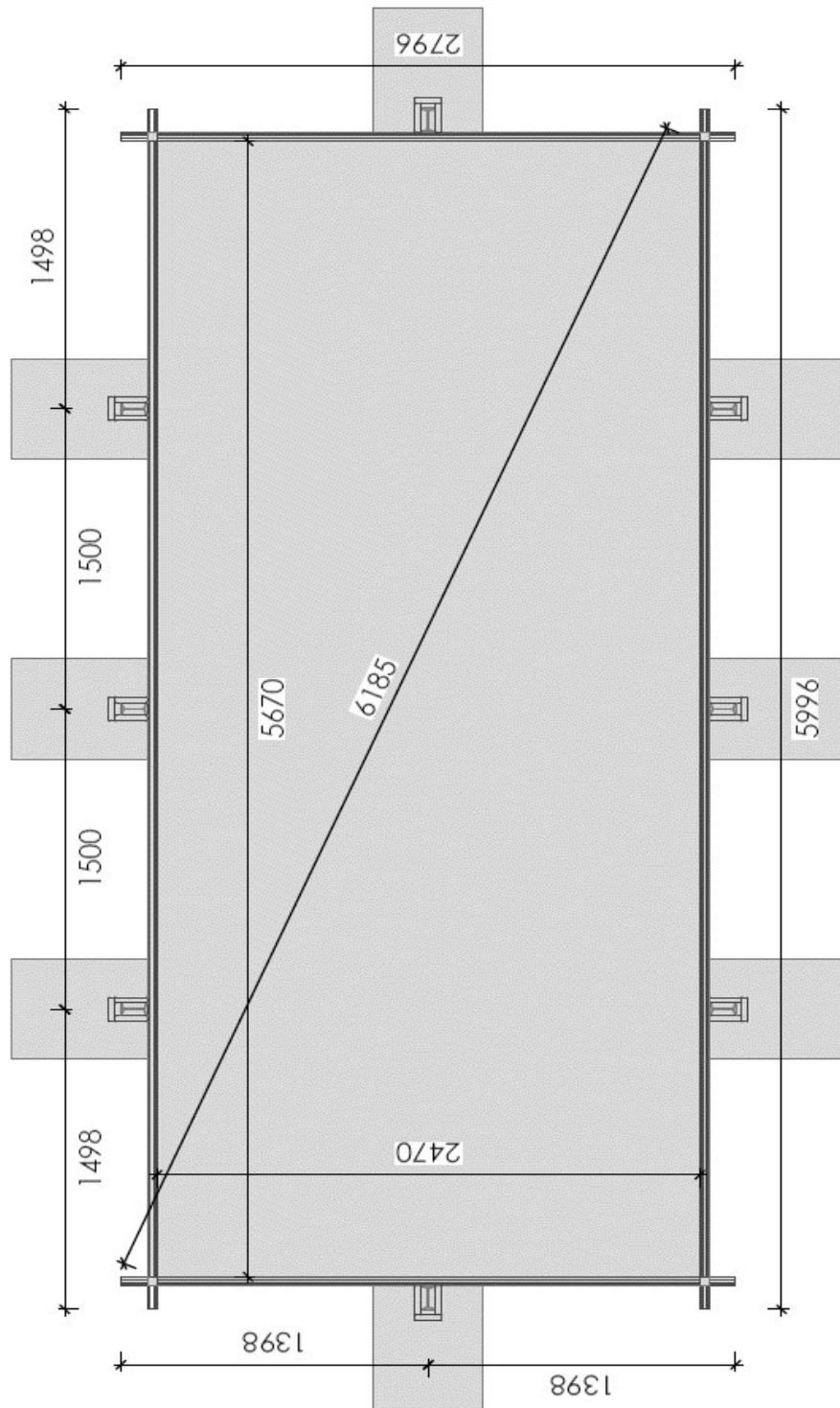
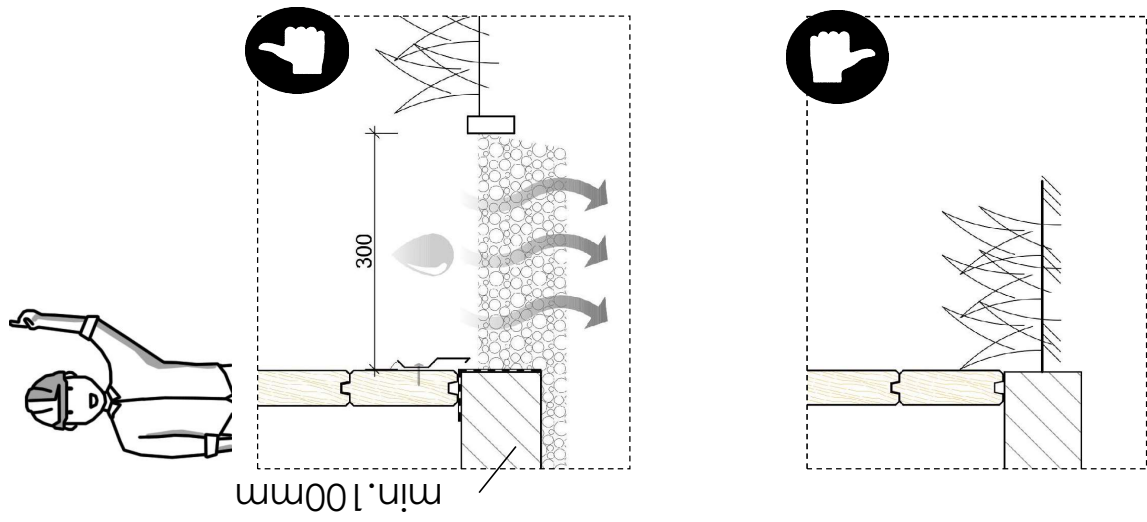
Nr	Element	Dimensions	pie.	A	B
A		3,0x25	12		
B		3,5x25	396		
C		4,5x60	104		
D		5x80	16		
E		5x100	120		
F		3x100x240	32		
G			2		
H		40x40	2		

Outils

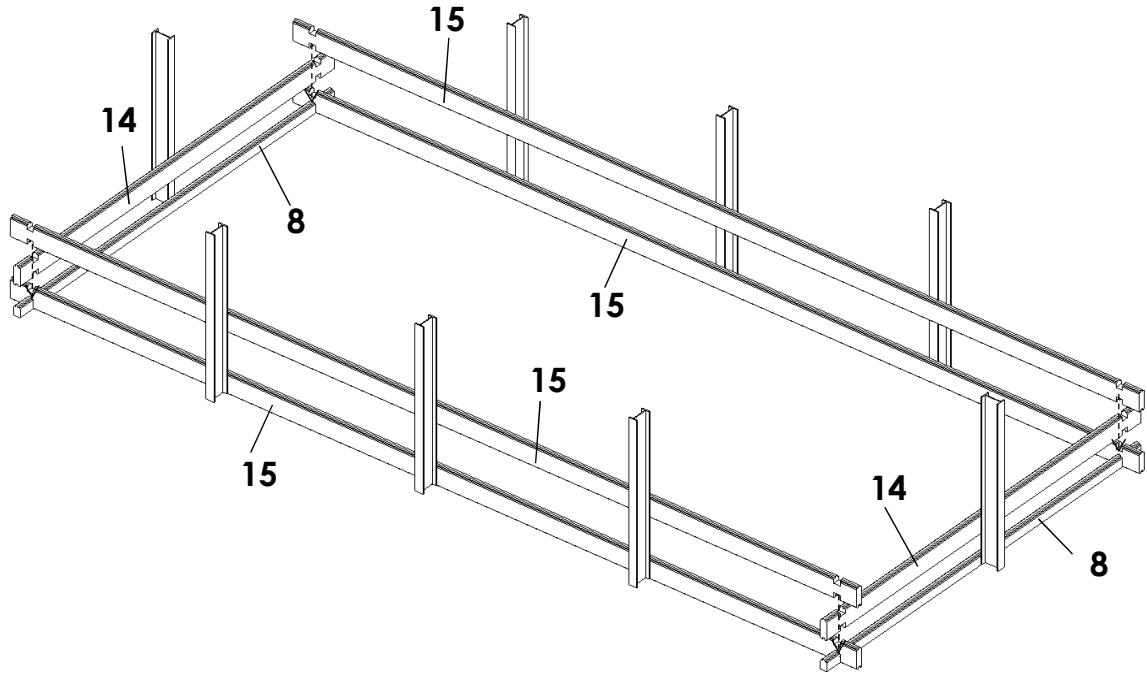
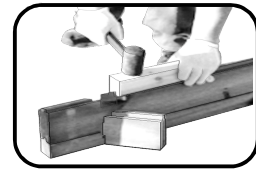
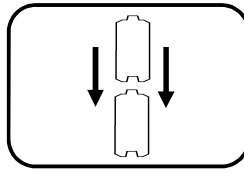
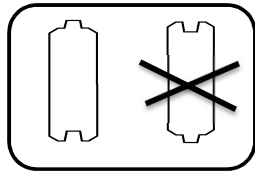




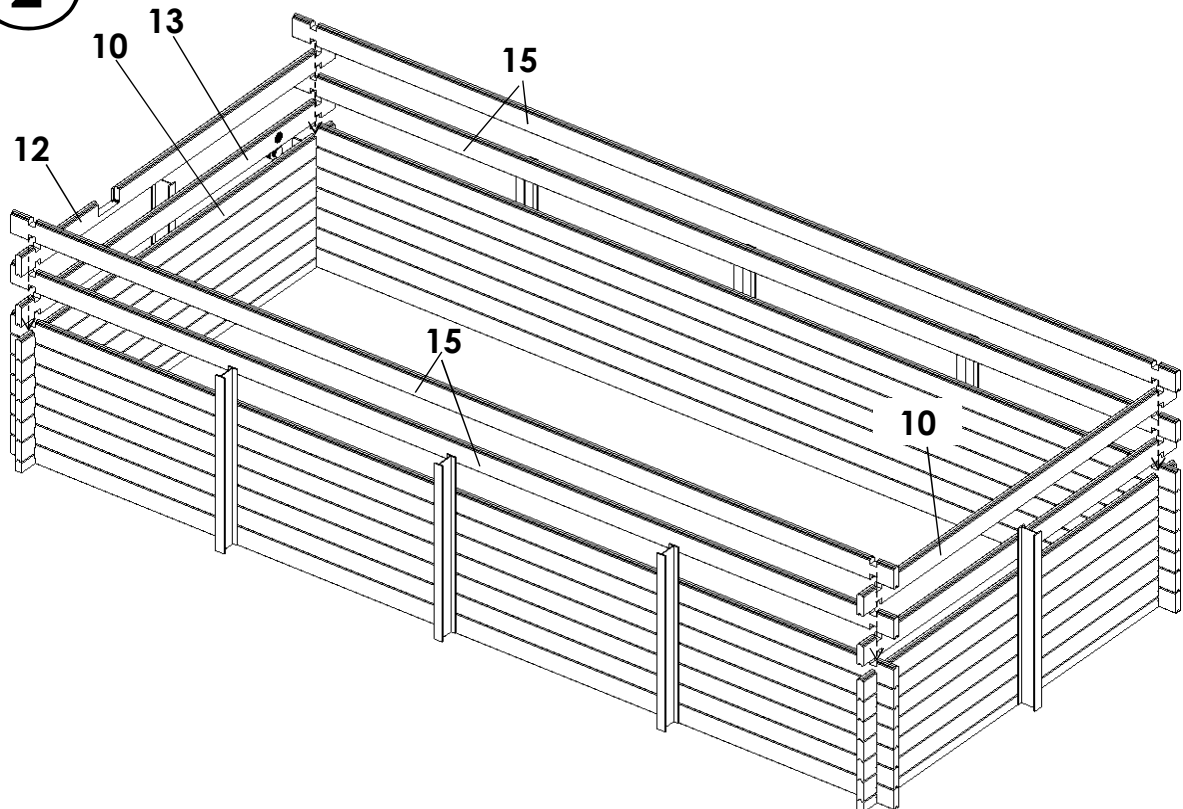


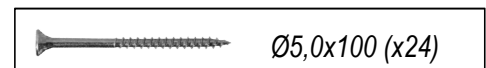
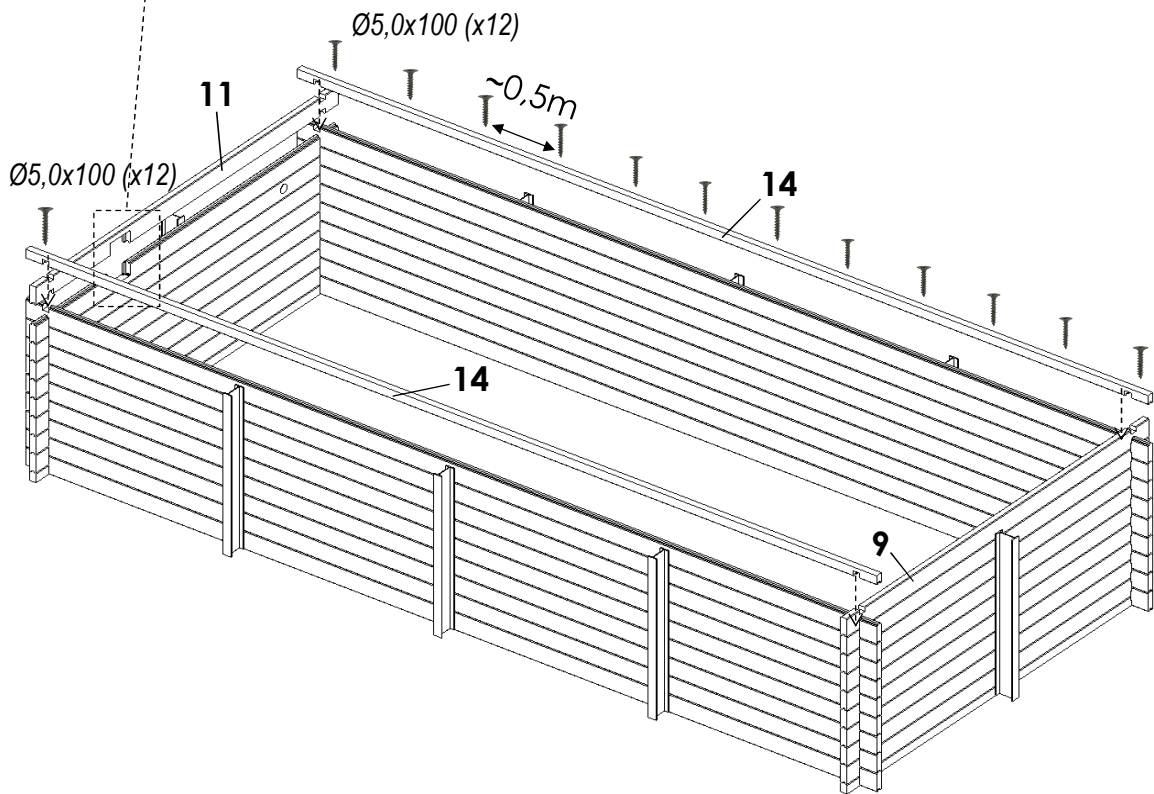
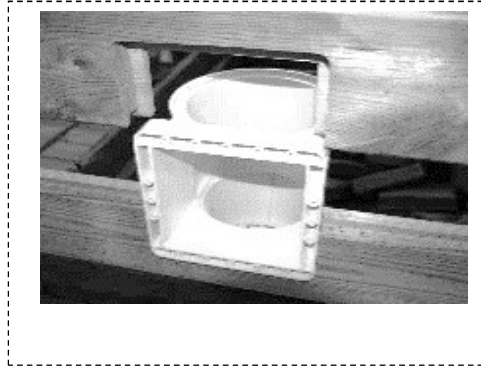
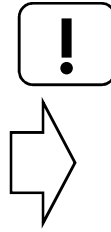
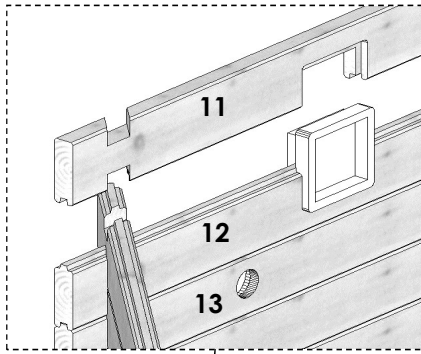


1

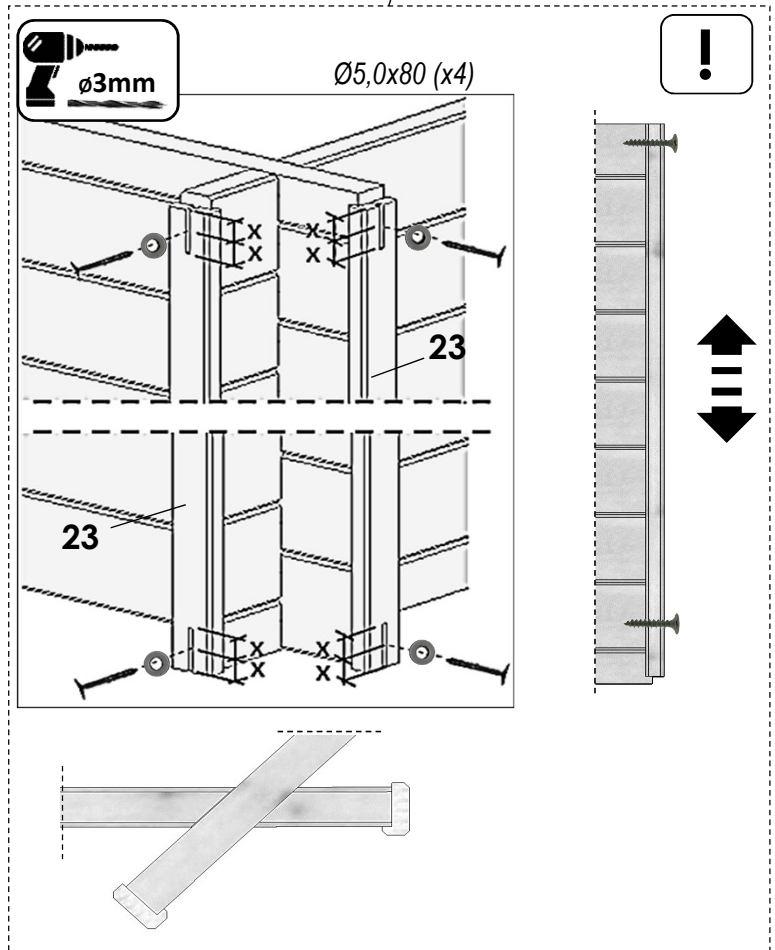
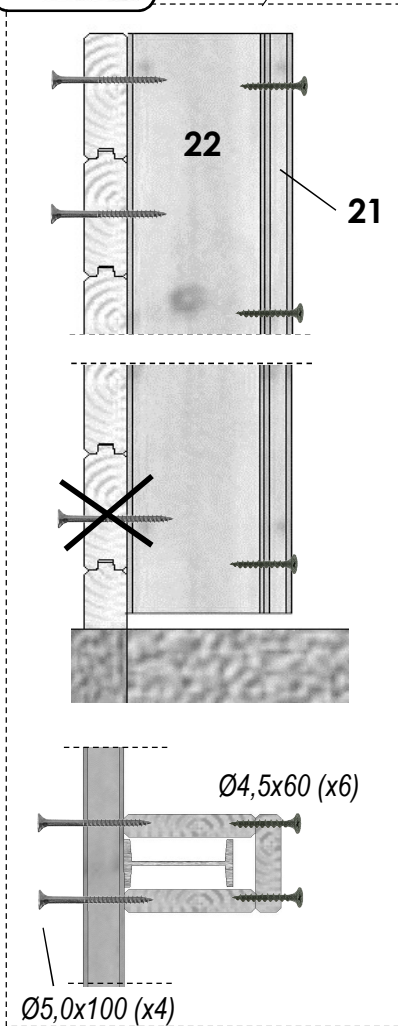
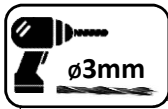
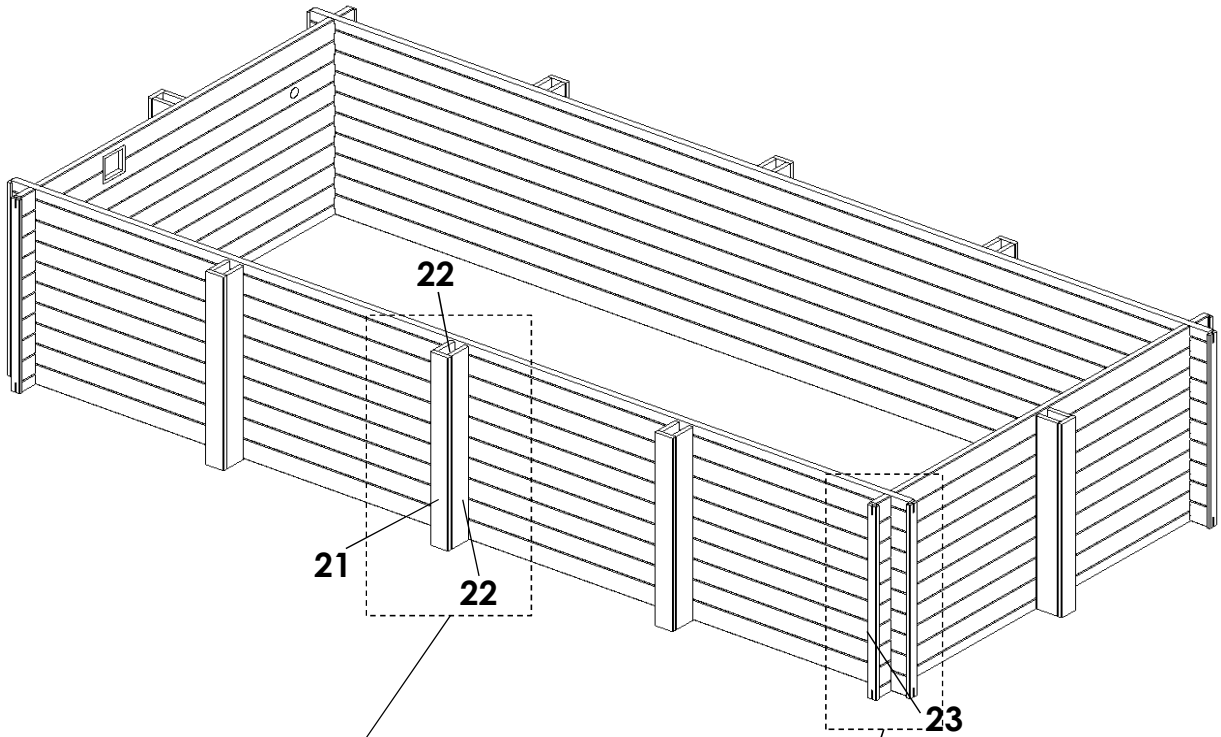





2



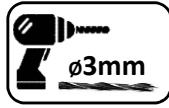


4

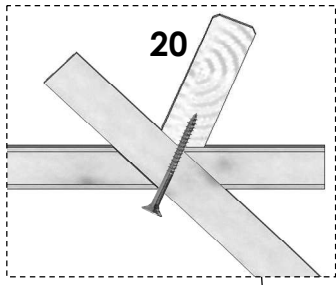


- | | |
|---|----------------|
|  | Ø5,0x80 (x16) |
|  | Ø4,5x60 (x48) |
|  | Ø5,0x100 (x16) |

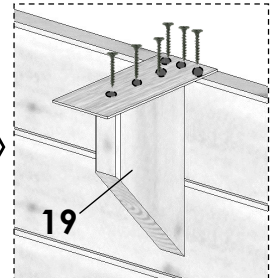
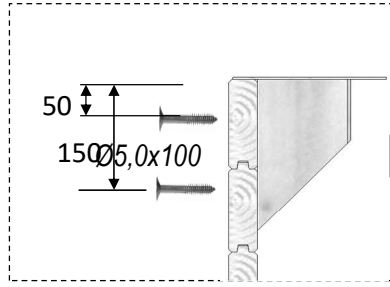




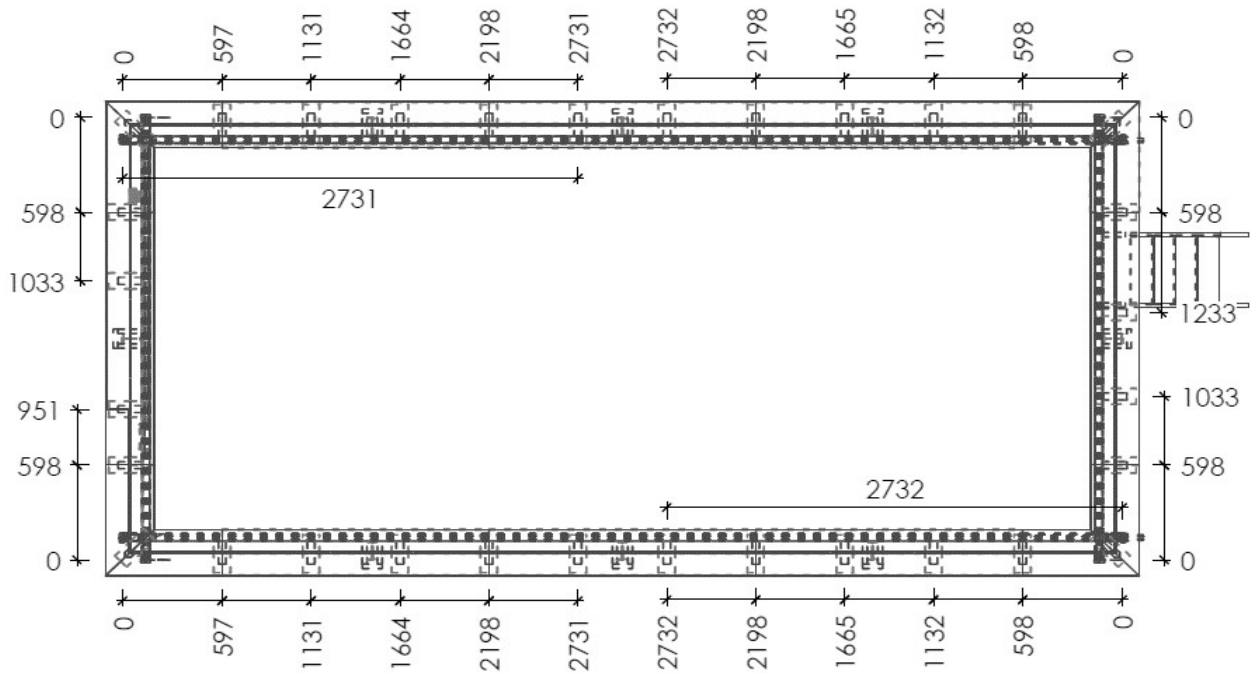
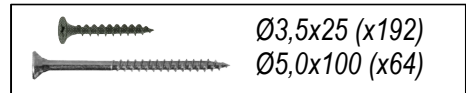
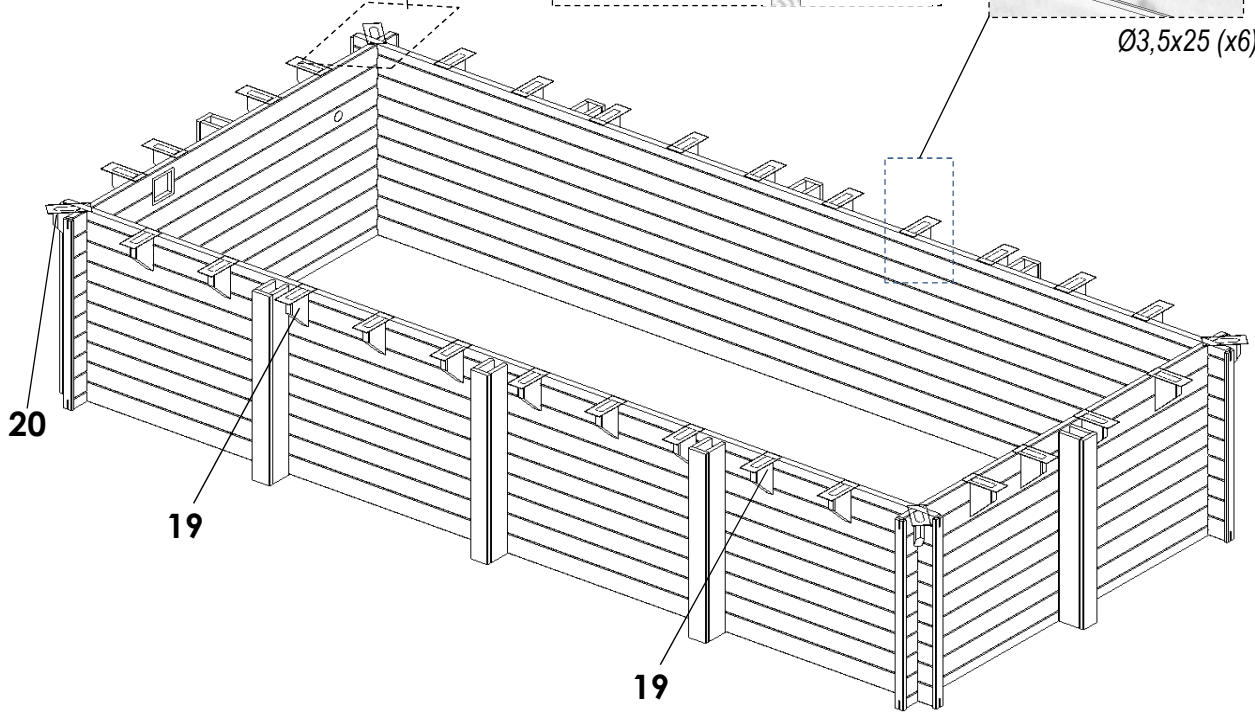
5



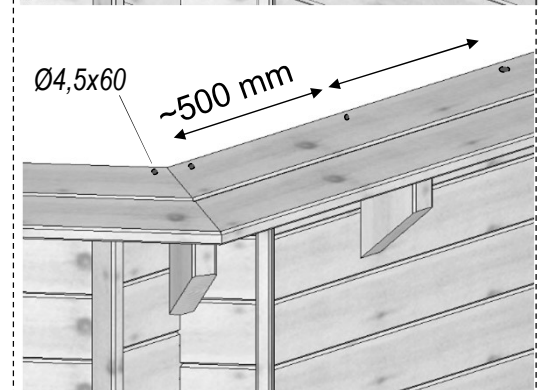
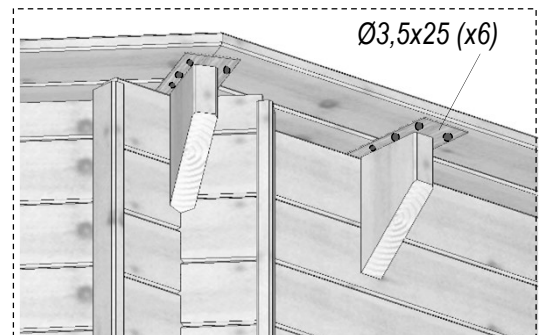
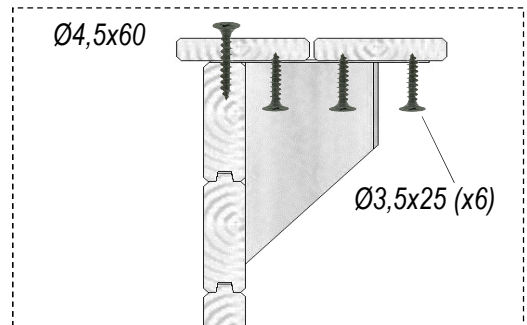
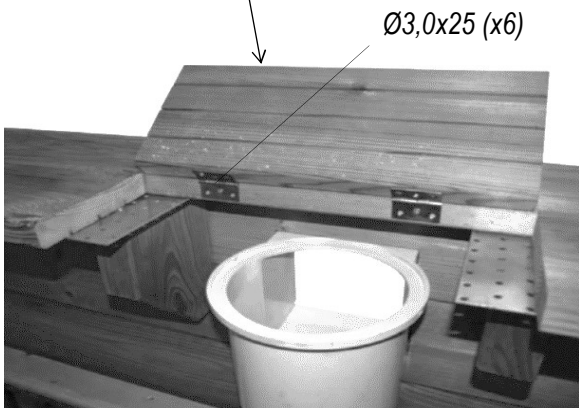
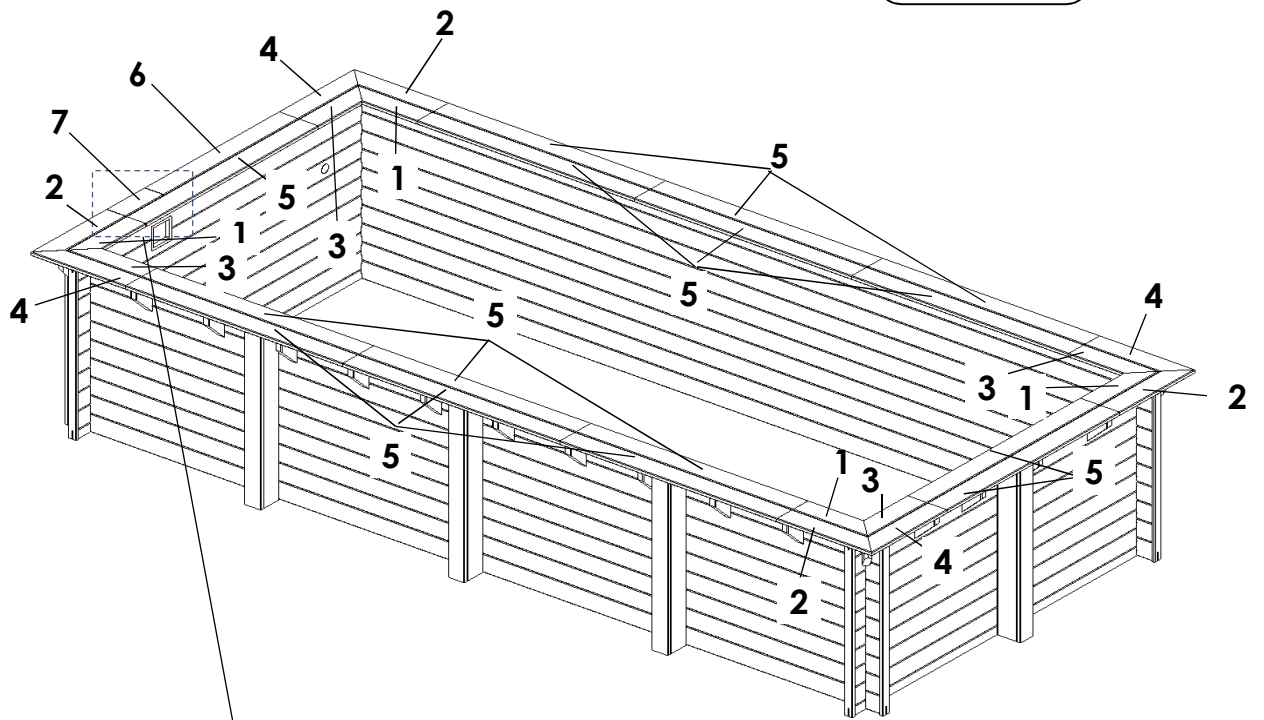
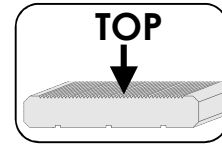
Ø5,0x100 (x2)






Ø3,5x25 (x6)



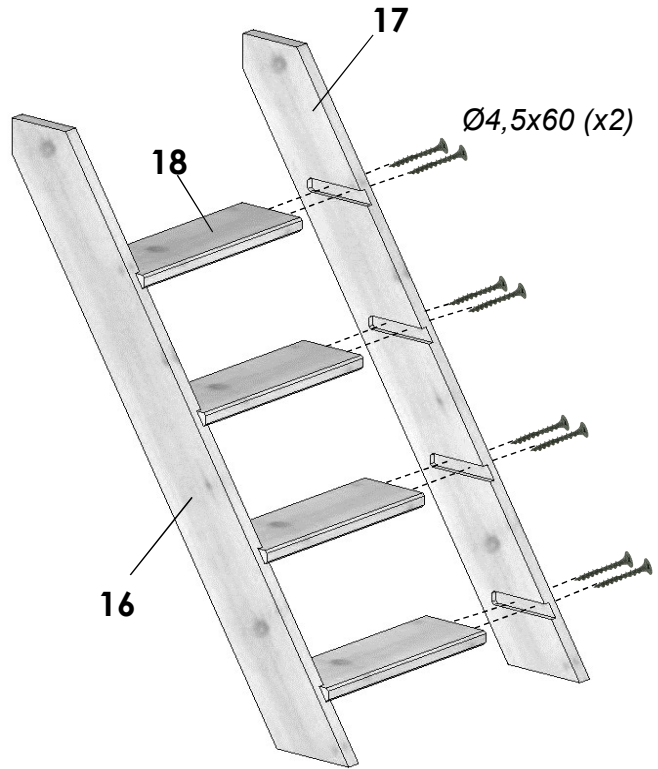
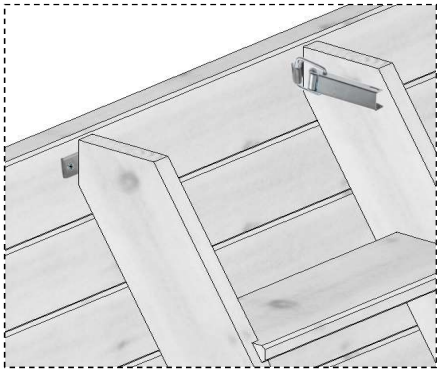
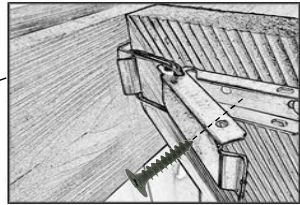
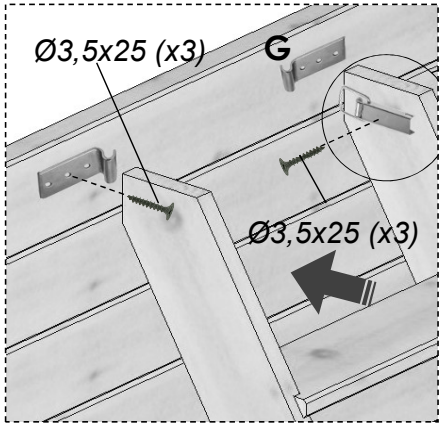
6





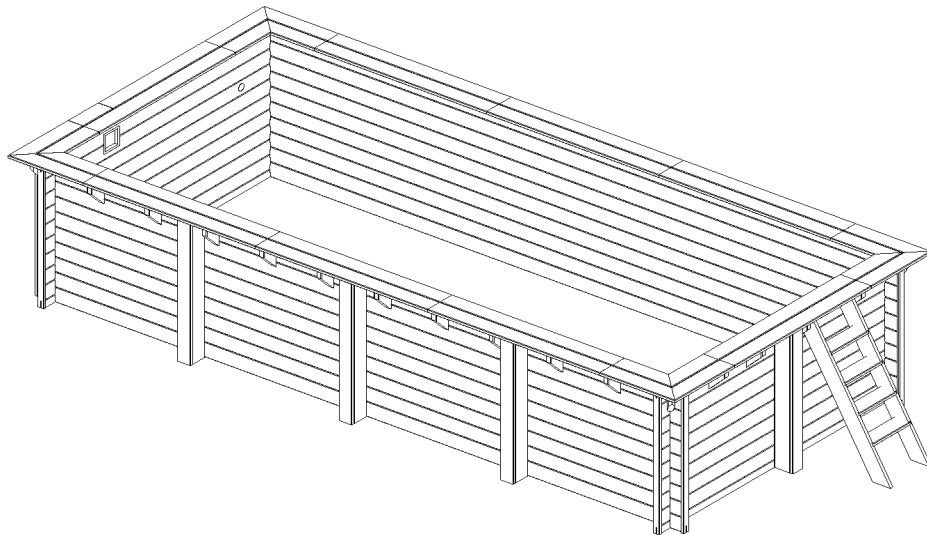
- | | |
|---|----------------|
|  | Ø3,0x25 (x12) |
|  | Ø3,5x25 (x192) |
|  | Ø4,5x60 (x40) |

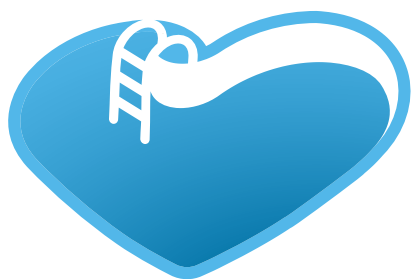


7



- | | |
|---|---------------|
|  | Ø3,5x25 (x12) |
|  | Ø4,5x60 (x16) |





BSVillage


[.com](http://www.bsvillage.com)

PISCINE - WELLNESS - OUTDOOR


www.bsvillage.com

BUSINESS SHOP S.r.l. a Socio Unico
Via della Repubblica n. 19/1 - 42123 Reggio Emilia (RE)
P.Iva e C.F. 02458850357 - Cap. soc. 60.000,00 € i.v.

 www.bsvillage.com

 0522 15 36 417

 info@bsvillage.com

 0522 18 40 494