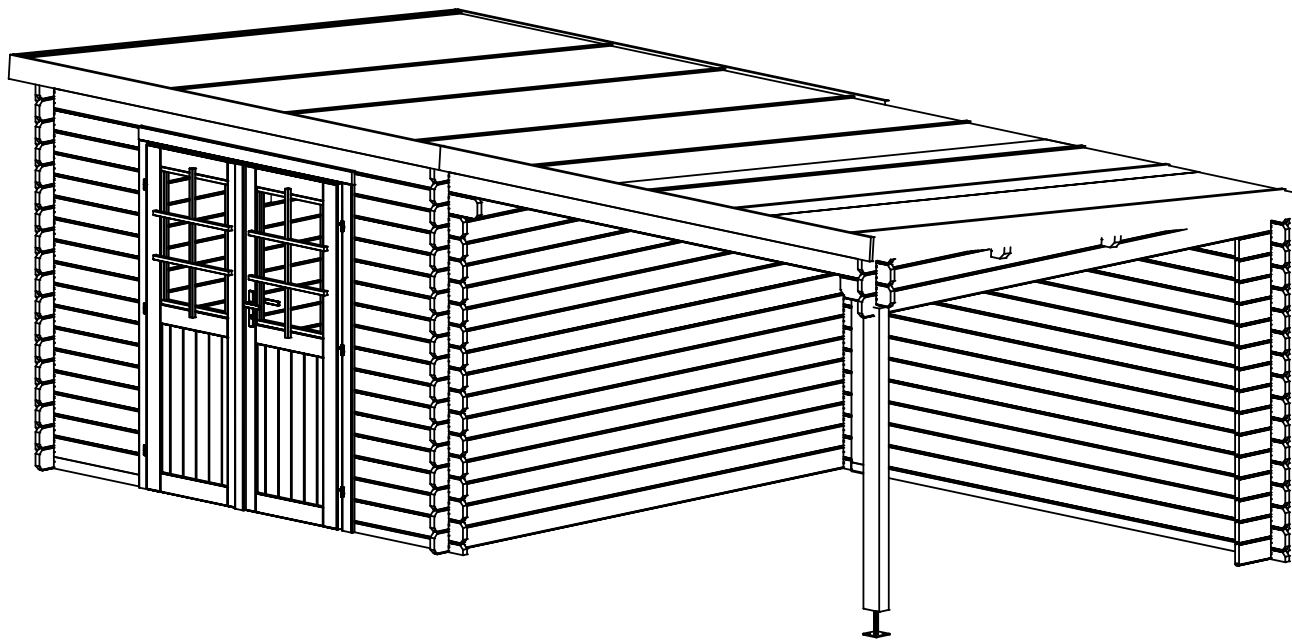




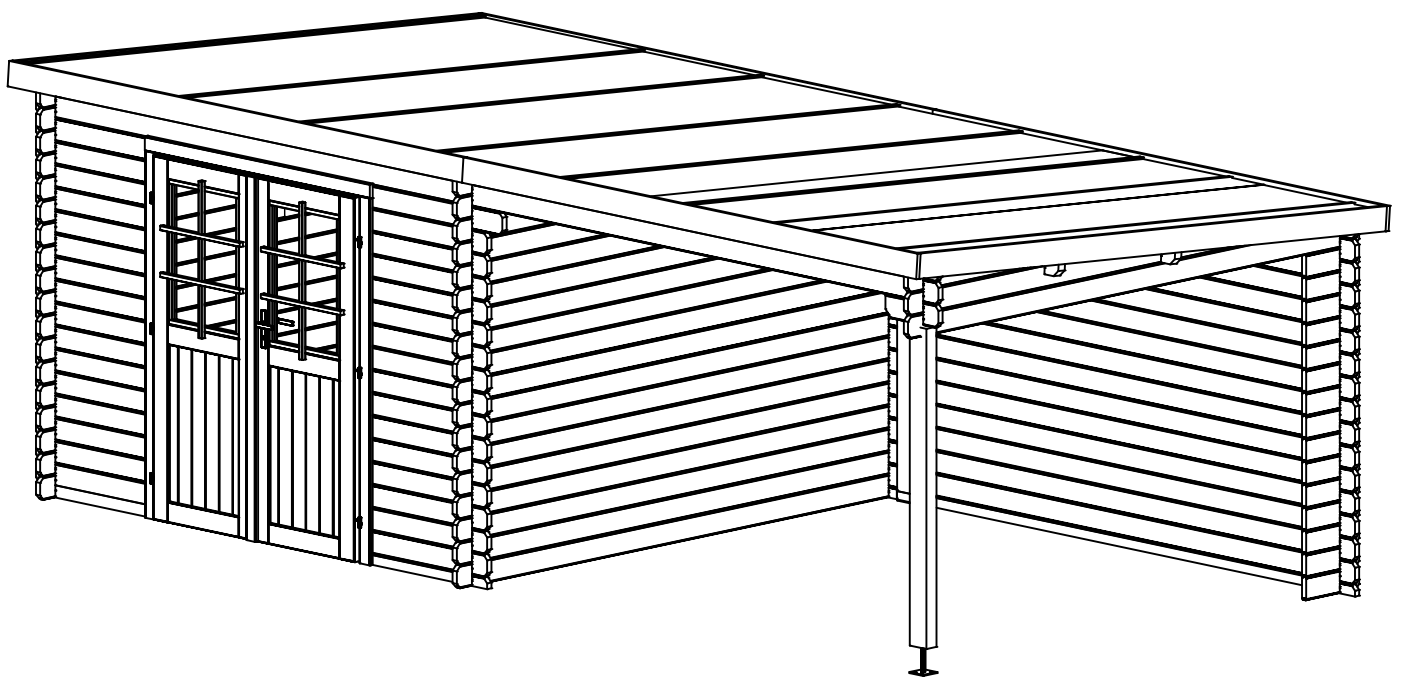
BSVillage
PISCINE - WELLNESS - OUTDOOR

MANUALE di MONTAGGIO
Casetta in legno Stelvio



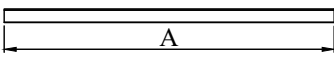
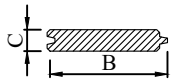

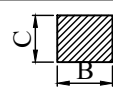
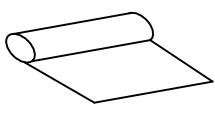
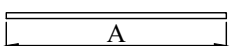
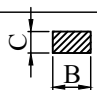
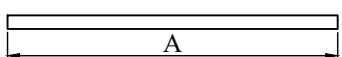
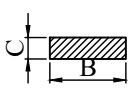
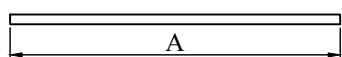
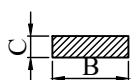
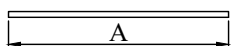
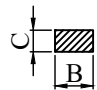
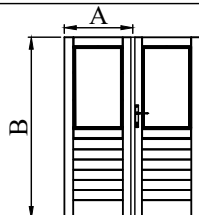
www.bsvillage.com

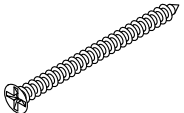
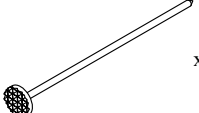
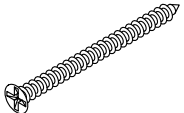
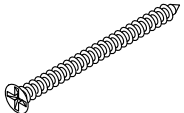

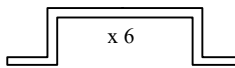
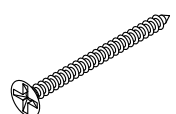
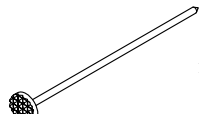

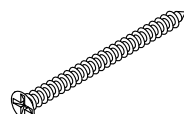






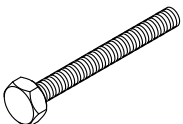
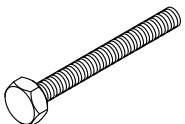
MANUALE CASSETTA STELVIO 2.98 x 5.86 m, 28mm

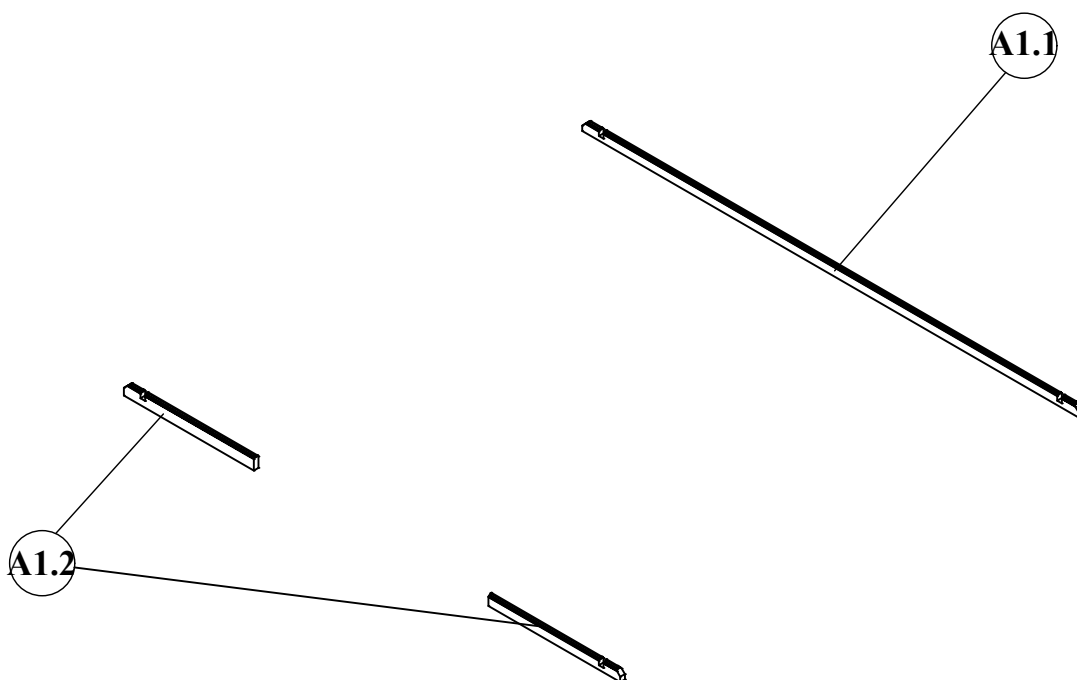


No.	Menge	Abmessungen, mm			Teile
		A	B	C	
A1.1	x 1	2980	55	28	
A1.2	x 2	730	55	28	
A1.3	x 1	2940	55	28	
A2	x 48+1	2980	110	28	
A3	x 31	730	110	28	
A4	x 15+1	2940	110	28	
A5	x 1	820	110	28	
A6	x 1	350	110	28	
A7	x 2	2980	110	28	
A8	x 2	2980	110	28	
A9	x 15	480	110	28	
A10	x 1	3084	110	28	
A11	x 1	2876	110	28	
B1	x 1	1624	90	66	
B2	x 2	1785	90	66	
B3	x 1	1420	30	30	
K	x 1	1630	100	70	
H	x 1	1780	90	72	
1	x 3	2980	208/56	28	
2	x 3	1026	110/101	28	
3	x 3	910	72/0	28	
4.1	x 2	3084	120	40	
4.2	x 2	2876	120	40	
5.1	x 2	1980	40	16	
5.2	x 3	1870	40	16	

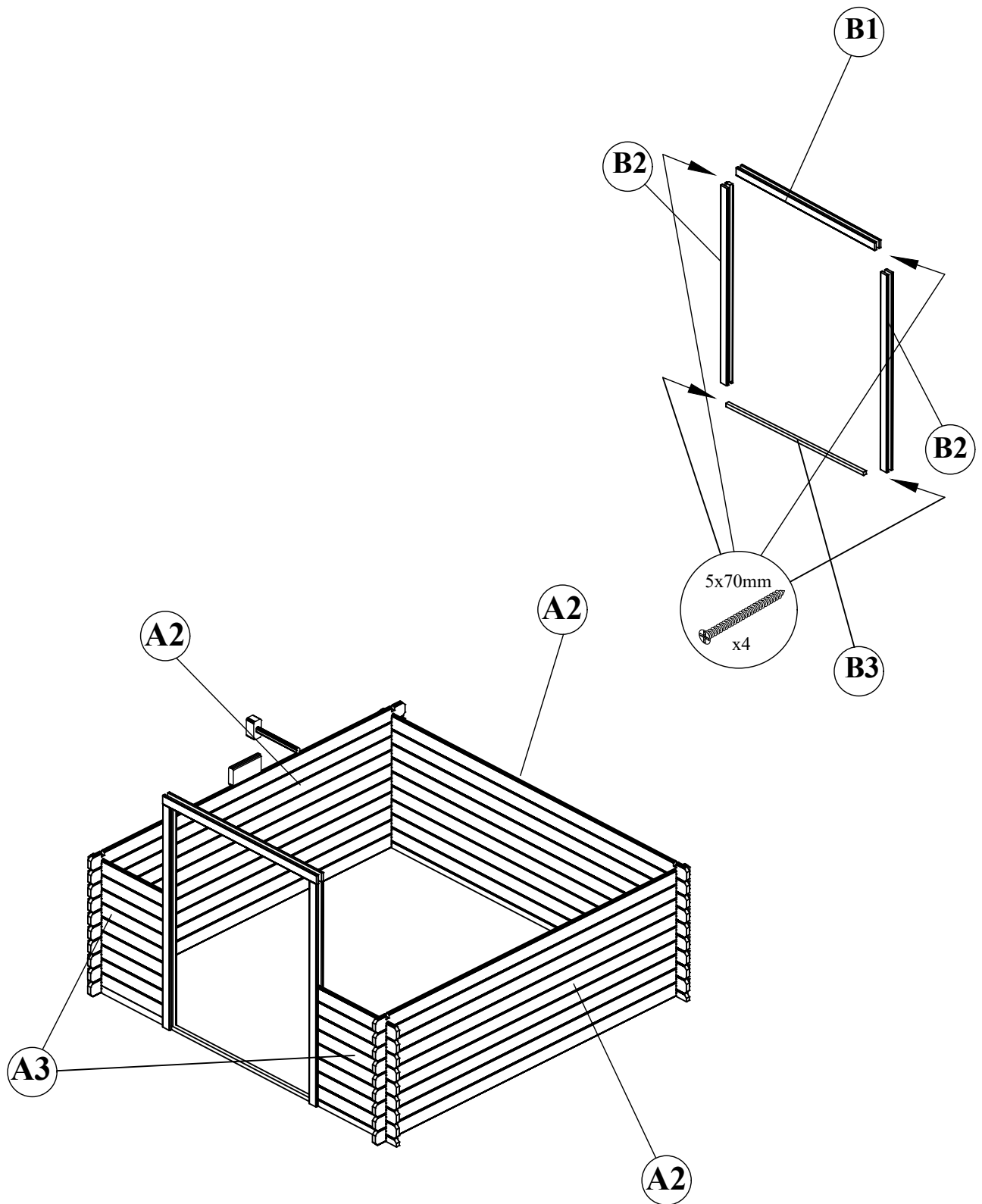
STÜCKLISTE

No.	Menge	Abmessungen, mm			Teile	
		A	B	C		
6	x66+2	3090	90	17		
7	x 6	1985	30	30		
8	x 2	10m	1m			
	x 1	3.3m	1m			
9	x 16	1545	40	16		
10.1	x 2	3000	90	19		
10.2	x 2	3000	90	19		
10.3	x 2	3090	90	19		
11.1	x 1	1740	75	19		
11.2	x 2	750	28	19		
11.3	x 4	585	28	19		
11.4	x 1+1	715	1740	30		

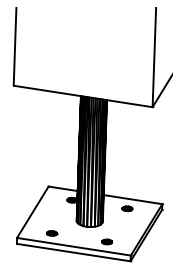
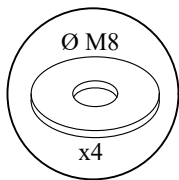
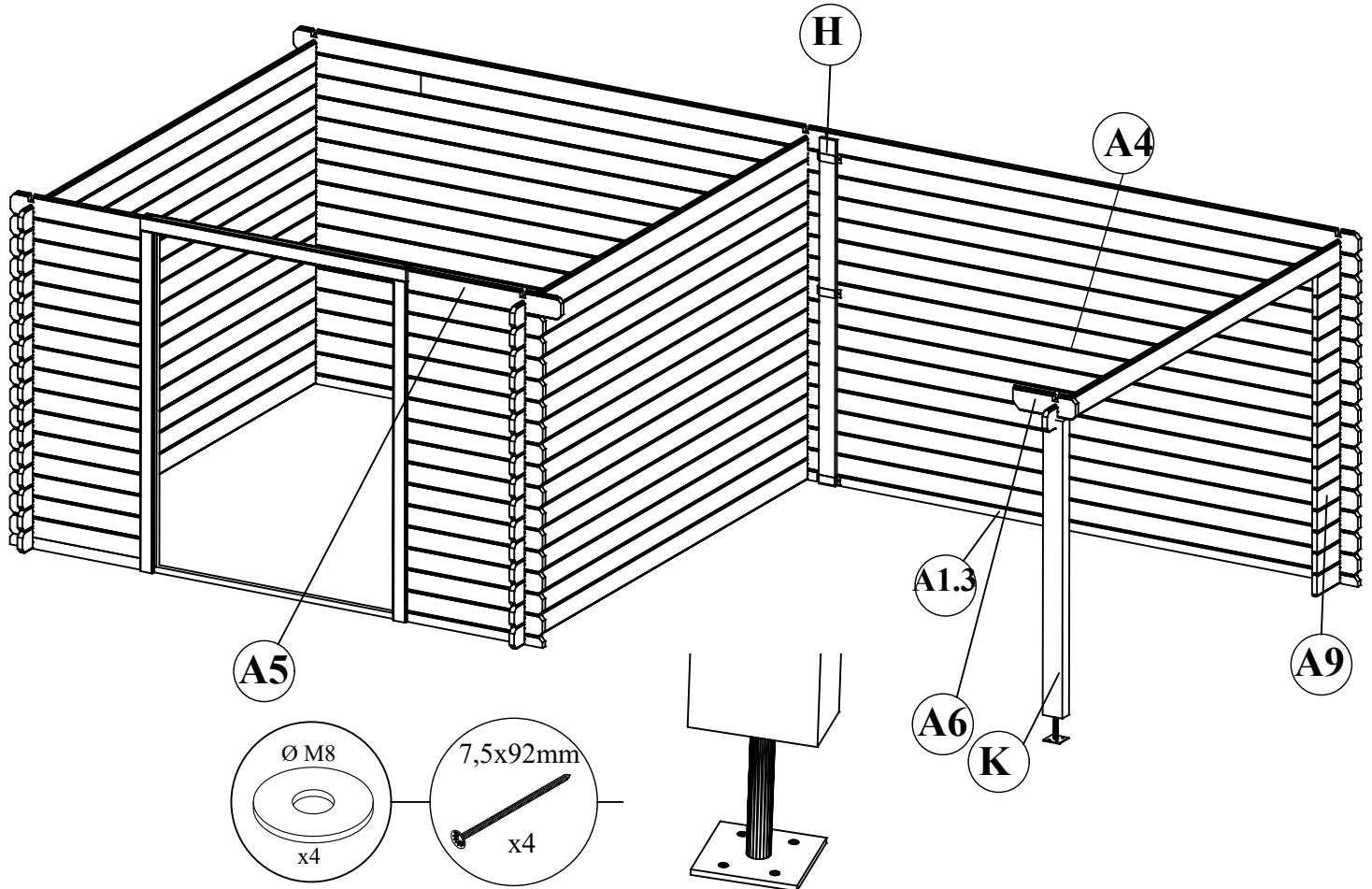
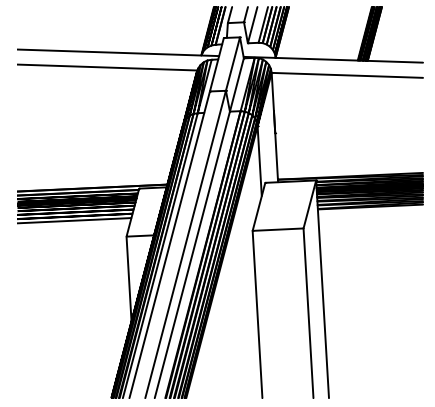
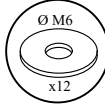
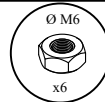
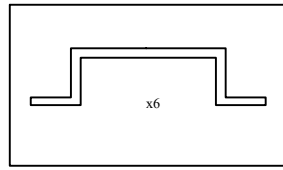
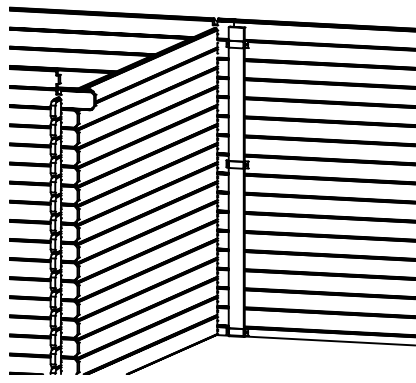
5 x 70 mm  x 16	2 x 40 mm  x 280	7,5 x 92mm  x 4	6 x 160mm  x 20	M6  x 11	 x 6
4 x 40mm  x 71	1,8 x 30 mm  x 64	3 x 20 mm  x 12	5 x 90mm  x 9	M6  x 22	M8  x 4
4 x 30 mm  x 102	WRO50  x2	15x57+40x40BZN  x 6	AH9213  x 1	6 x 60  x 5	6 x 40  x 6



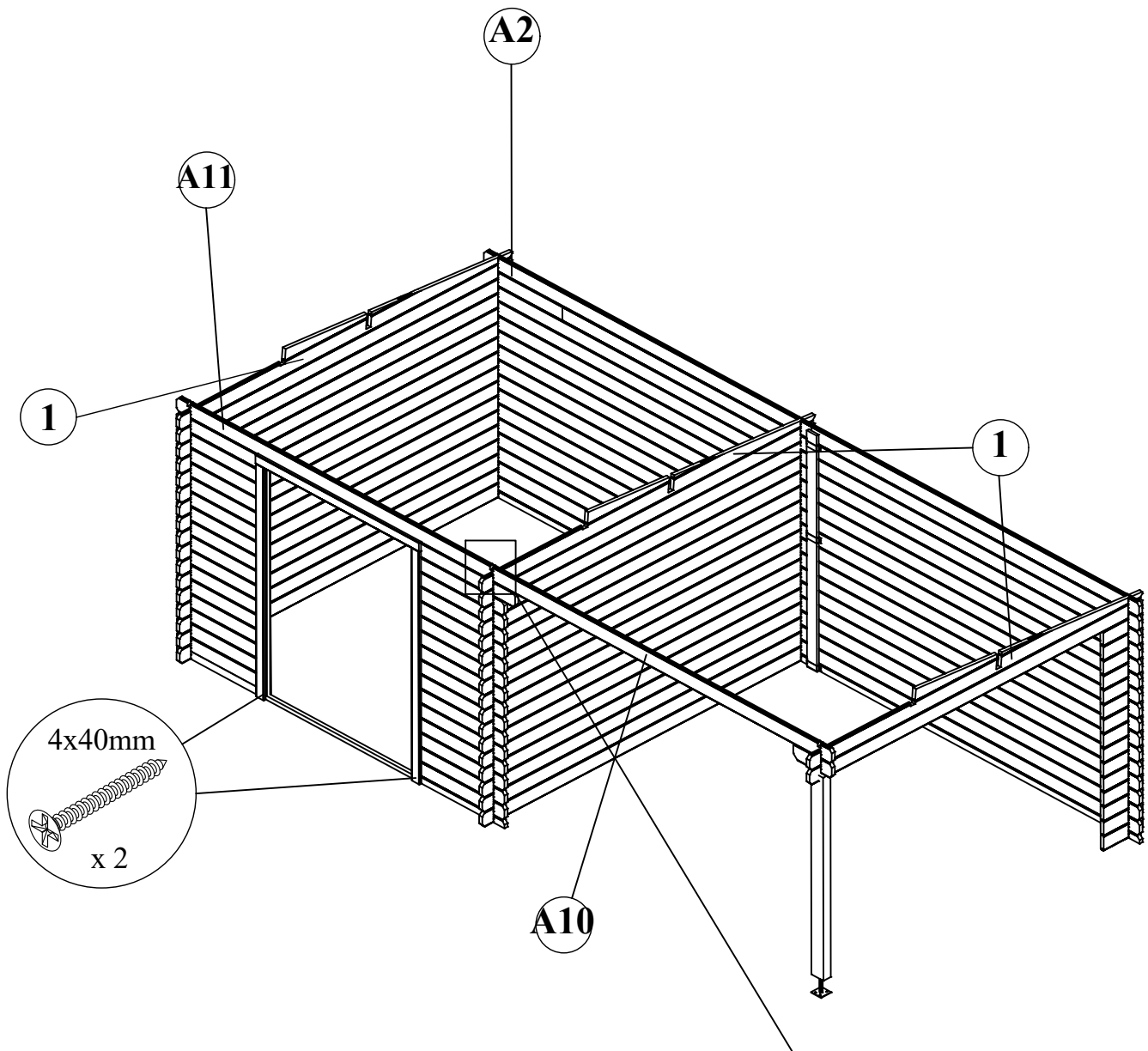
No.	Abmessungen (mm)	Menge
A1.1	2980 x 55 x 28	1
A1.2	730 x 55 x 28	2



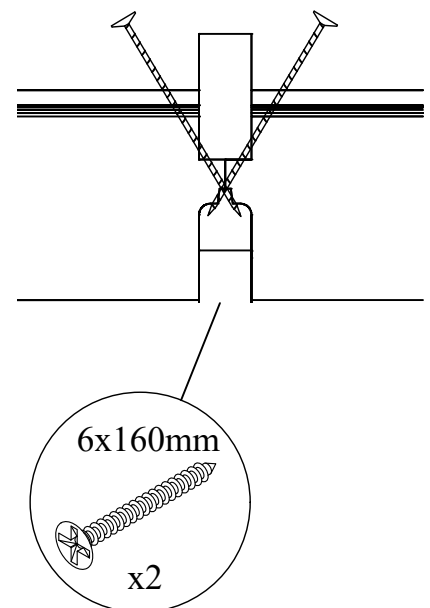
No.	Abmessungen (mm)	Menge
A2	2980 x 135 x 34	48+1
A3	730 x 135 x 34	31
B1	1624 x 90 x 72	1
B2	1785 x 90 x 72	2
B3	1420 x 30 x 30	1

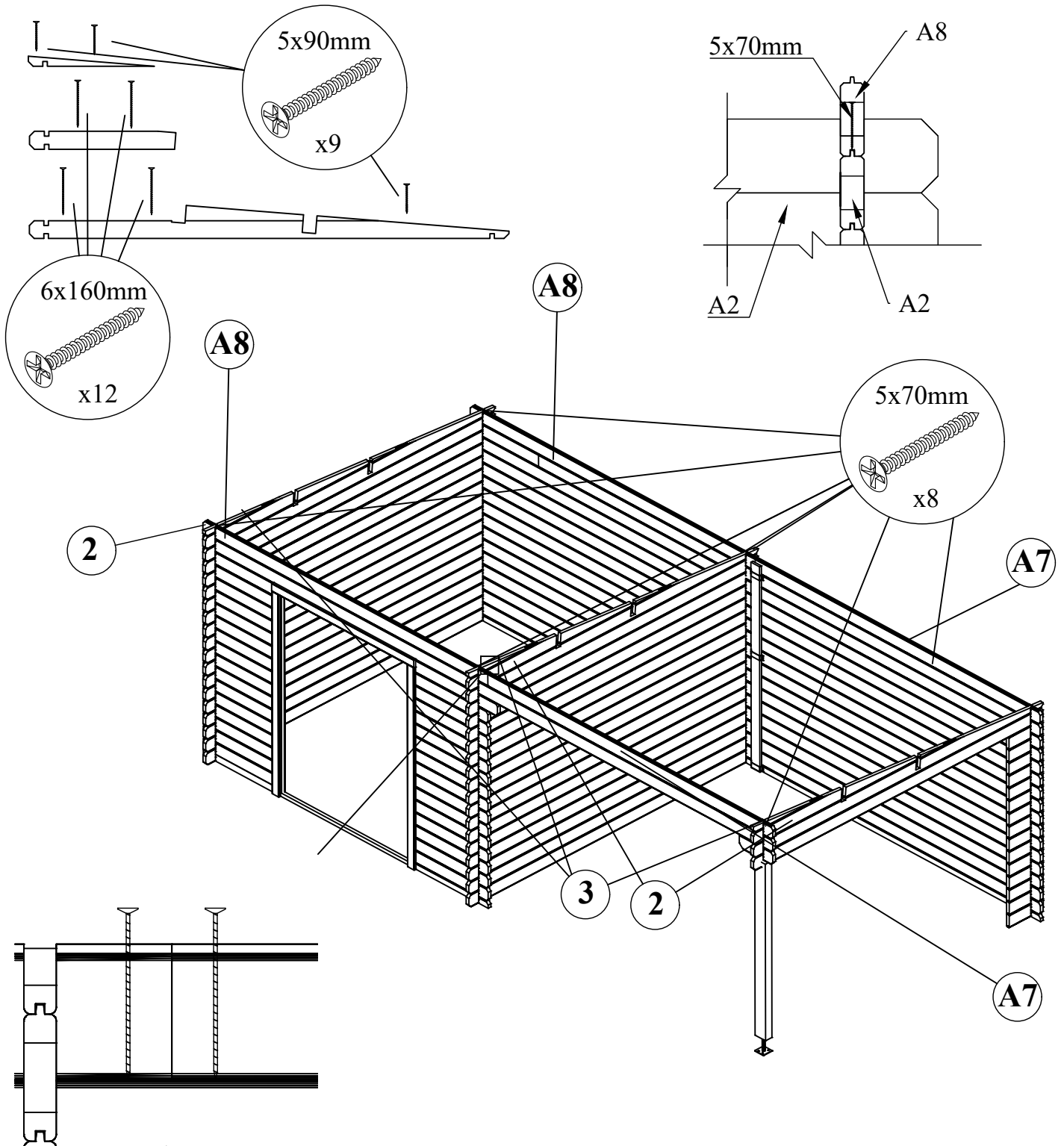


No.	Abmessungen (mm)	Menge
A1.3	2940 x 55 x 28	1
A4	2940 x 110 x 28	15+1
A5	820 x 110 x 28	1
A6	350 x 110 x 28	1
A9	480 x 110 x 28	15
K	1630 x 100 x 70	1
H	1780 x 90 x 72	1

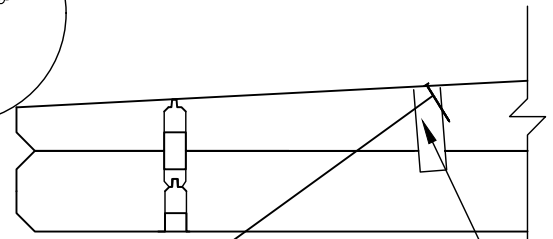
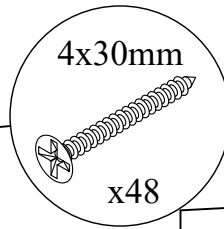
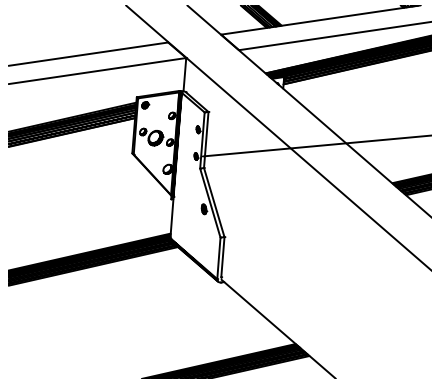
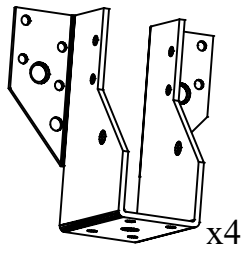


No.	Abmessungen (mm)	Menge
A10	3084 x 110 x 28	1
A11	2876 x 110 x 28	1
1	2980 x 208/55 x 28	3

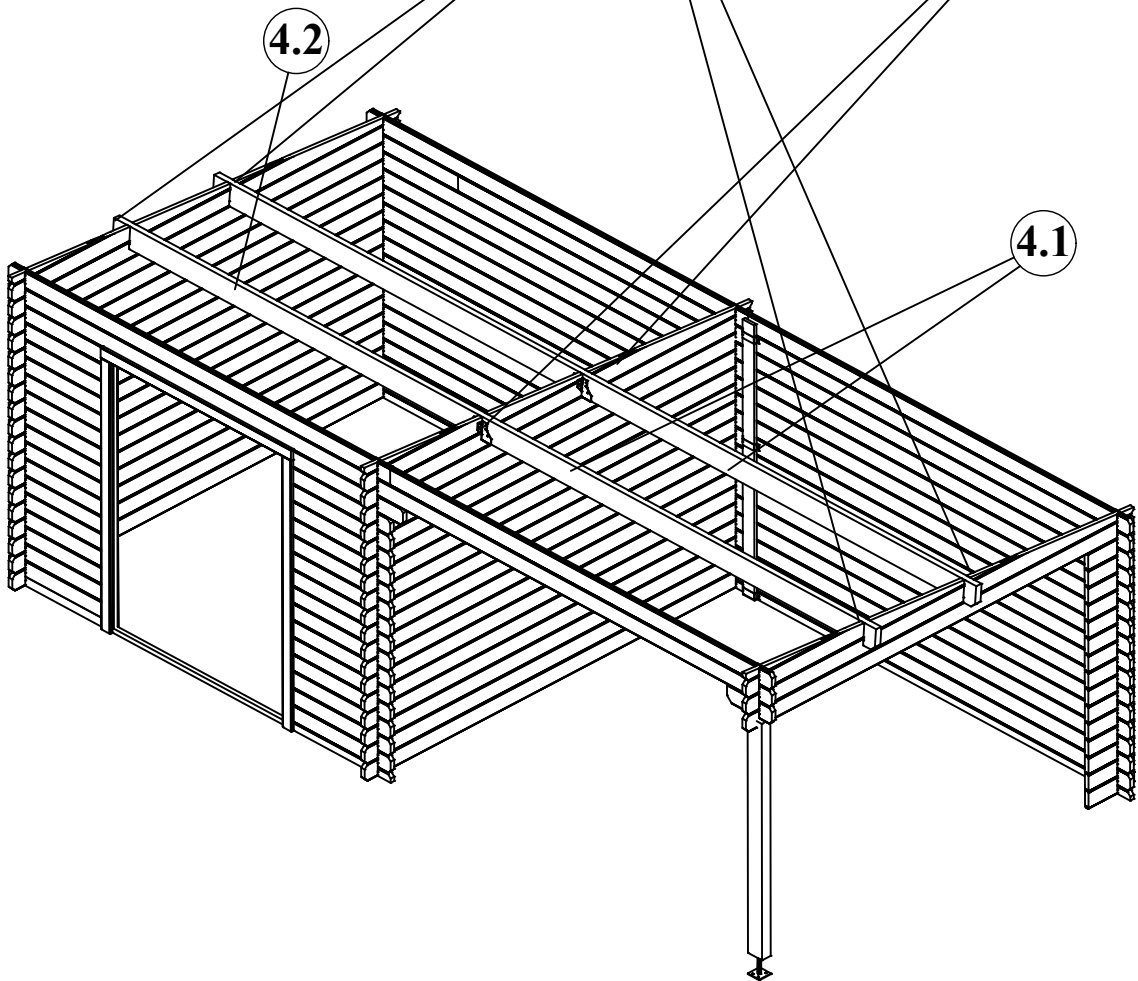
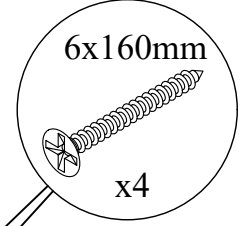
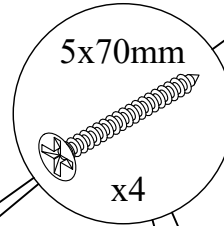




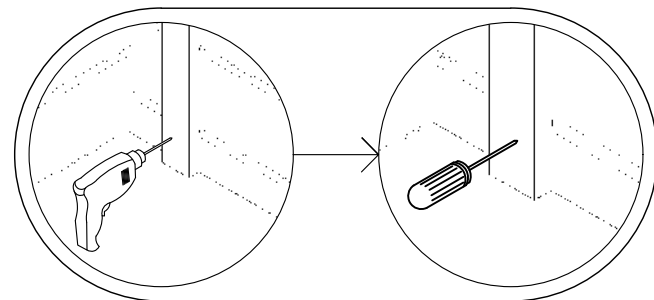
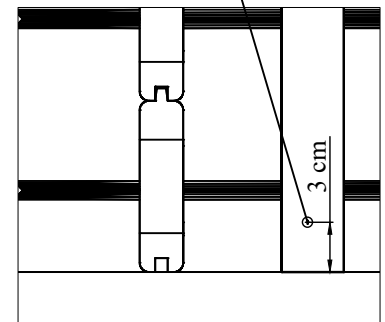
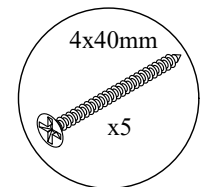
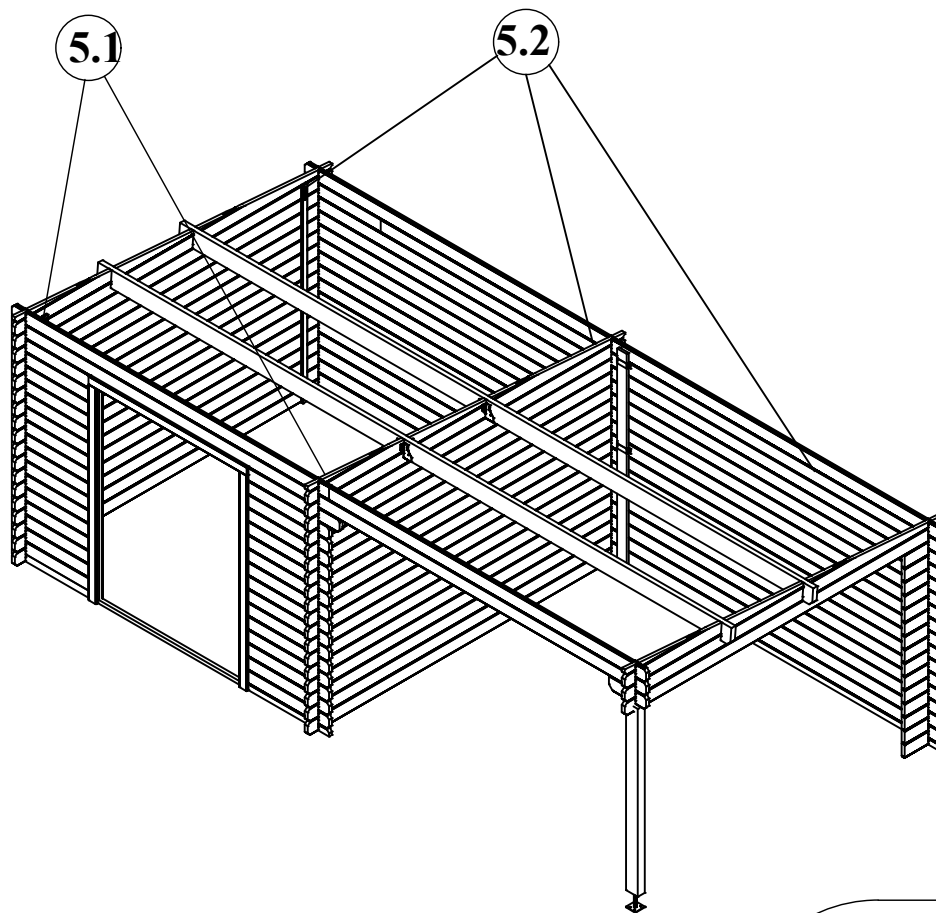
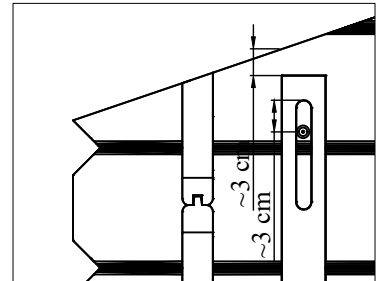
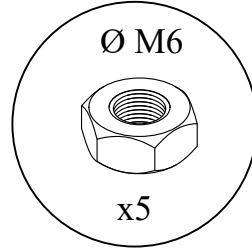
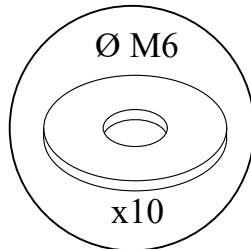
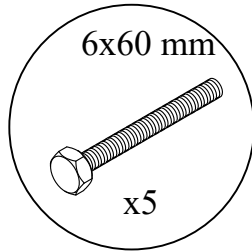
No.	Abmessungen (mm)	Menge
A7	2980 x 110 x 28	2
A8	2980 x 110 x 28	2
2	1026 x 110/101 x 28	3
3	910 x 72/0 x 28	3



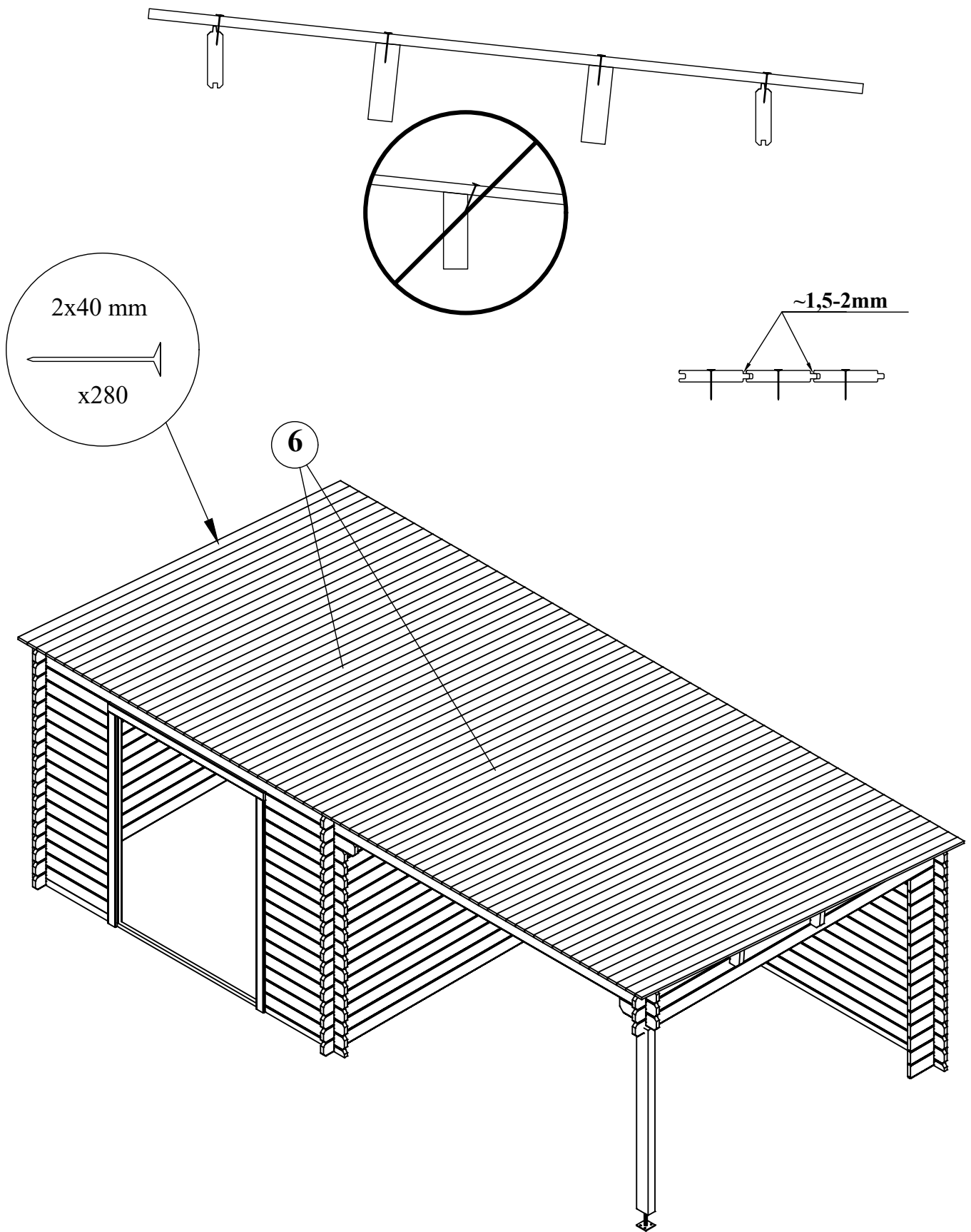
4.1;4.2



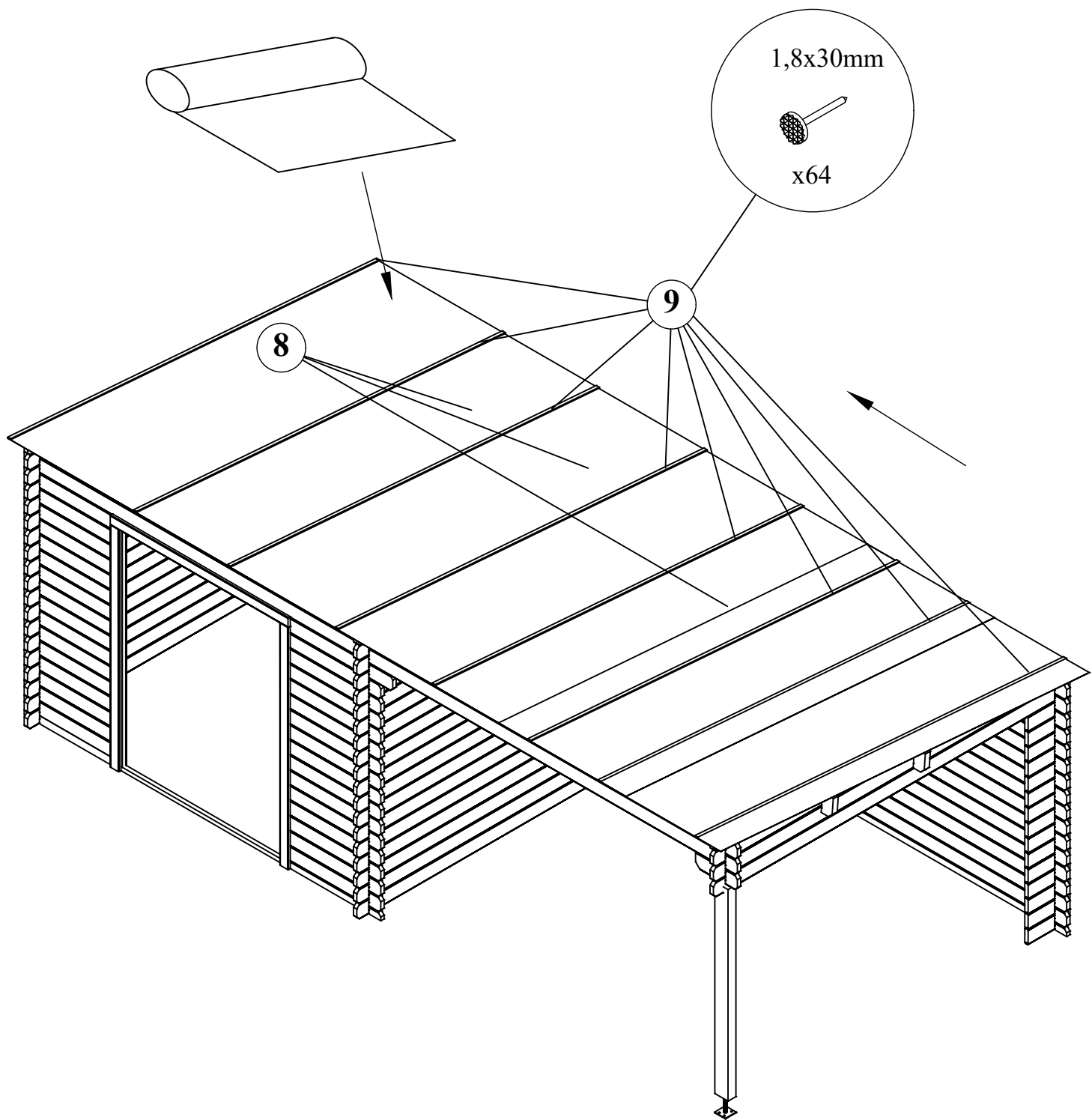
No.	Abmessungen (mm)	Menge
4.1	3084 x 120 x 40	2
4.2	2876 x 120 x 40	2



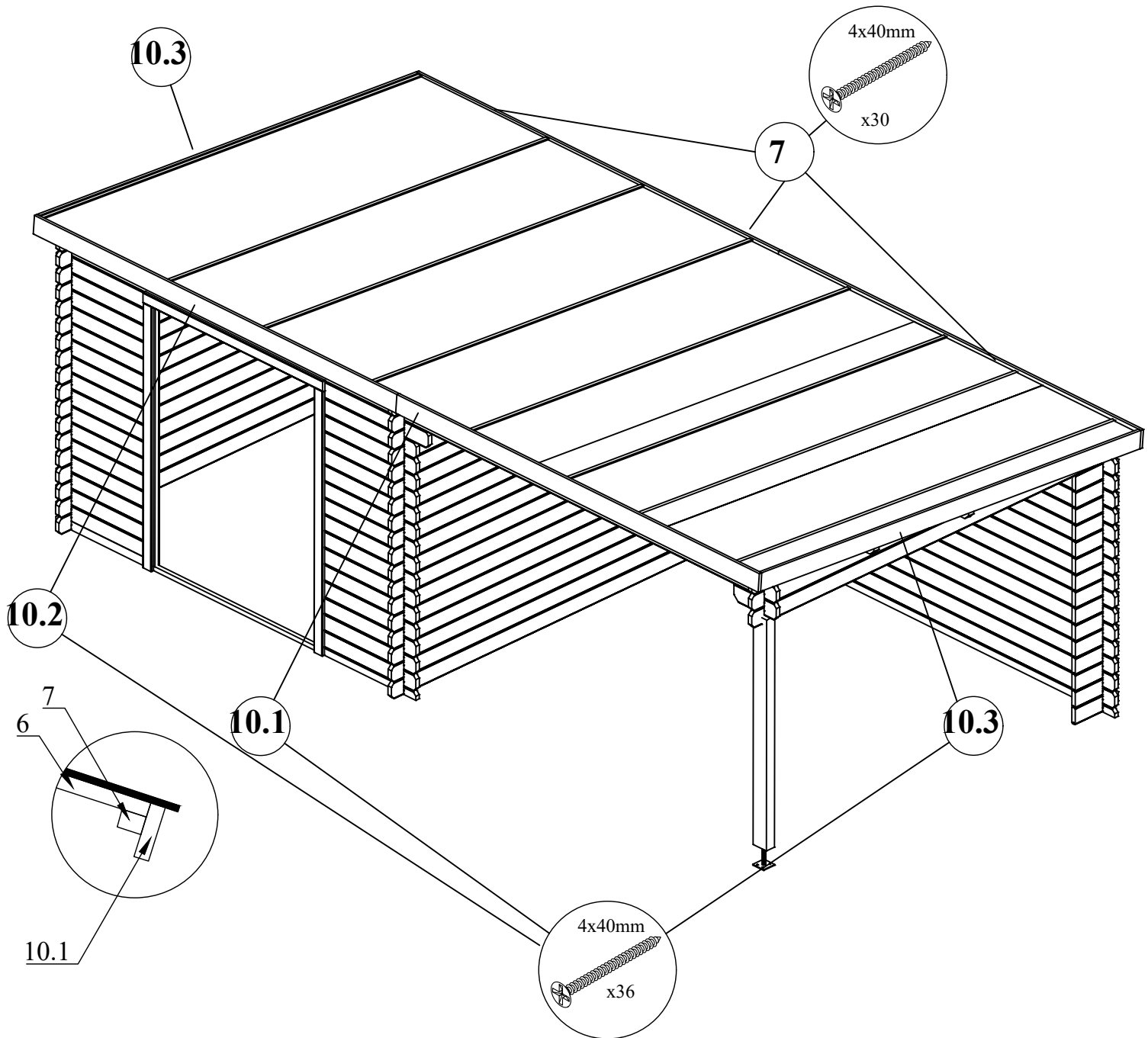
No.	Abmessungen (mm)	Menge
5.1	1980 x 40 x 16	2
5.2	1870 x 40 x 16	3



No.	Abmessungen (mm)	Menge
6	3090 x 90 x 17	66+2



No.	Abmessungen (mm)	Menge
8	3300 x 1000	7
9	1545 x 40 x 16	14



No.	Abmessungen (mm)	Menge
7	1985 x 30 x 30	6
10.1	3000 x 90 x 19	2
10.2	3000 x 90 x 19	2
10.3	3090 x 90 x 19	2

4x30mm x6+6

4x30mm x4

4x30mm x18+18

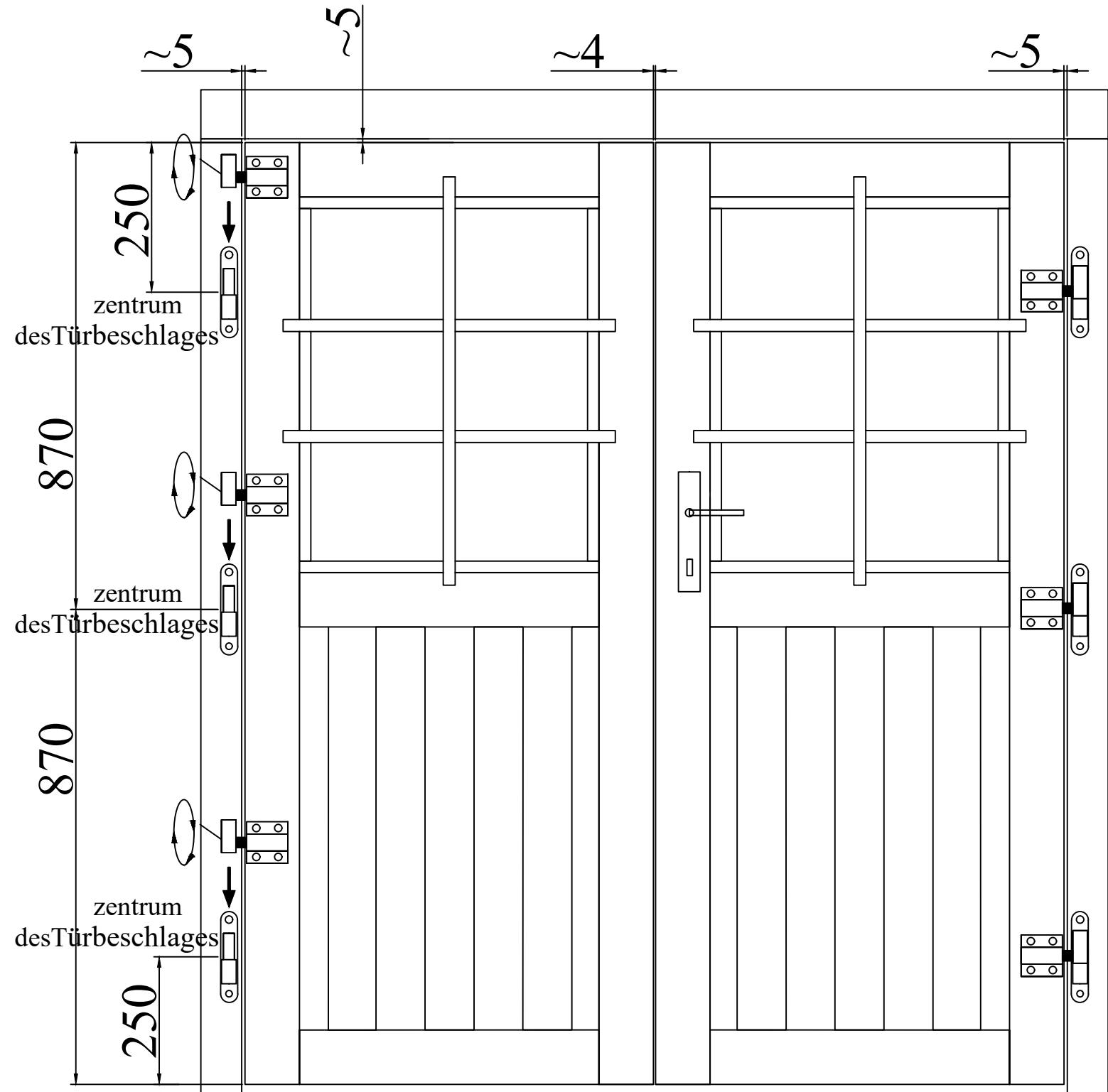
3x20mm x6

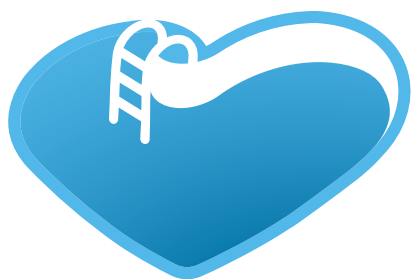
4x30mm x2

x2

x6

No.	Abmessungen (mm)	Menge
11.1	1740 x 75 x 19	1
11.2	750 x 28 x 19	2
11.3	585 x 28 x 19	4
11.4	1740 x 715	1





BSVillage


[.com](http://www.bsvillage.com)

PISCINE - WELLNESS - OUTDOOR


www.bsvillage.com

BUSINESS SHOP S.r.l. a Socio Unico
Via della Repubblica n. 19/1 - 42123 Reggio Emilia (RE)
P.Iva e C.F. 02458850357 - Cap. soc. 60.000,00 € i.v.

 www.bsvillage.com

 0522 15 36 417

 info@bsvillage.com

 0522 18 40 494